



US00D853803S

(12) **United States Design Patent**  
**Zhang**

(10) **Patent No.:** **US D853,803 S**  
(45) **Date of Patent:** **\*\* Jul. 16, 2019**

(54) **GRINDER**  
(71) Applicant: **NINGBO CHEFSHERE KITCHEN TECHNOLOGY CO., LTD.**, Ningbo (CN)  
(72) Inventor: **Guoping Zhang**, Ningbo (CN)  
(73) Assignee: **NINGBO CHEFSHERE KITCHEN TECHNOLOGY CO., LTD.**, Ningbo (CN)

4,135,672 A \* 1/1979 Schlessel ..... A47J 42/04  
241/169.1  
D465,135 S \* 11/2002 Ng ..... D7/679  
D484,371 S \* 12/2003 Tang ..... D7/679  
D548,023 S \* 8/2007 Seidenfaden ..... D7/679  
D609,535 S \* 2/2010 Kavanaugh ..... D7/679  
D616,262 S \* 5/2010 Lundstrom ..... D7/679  
2008/0093489 A1 \* 4/2008 Hadj-Chikh ..... A47J 42/04  
241/169.1  
2009/0095832 A1 \* 4/2009 Wu ..... A47J 42/40  
241/169.1  
2015/0257598 A1 \* 9/2015 Krus ..... A47J 42/04  
241/30

(\*\*) Term: **15 Years**

\* cited by examiner

(21) Appl. No.: **29/641,983**

*Primary Examiner* — Terry A Wallace

(22) Filed: **Mar. 27, 2018**

(74) *Attorney, Agent, or Firm* — W&K IP

(30) **Foreign Application Priority Data**

Nov. 10, 2017 (CN) ..... 2017 3 0552670  
(51) **LOC (11) Cl.** ..... **07-04**  
(52) **U.S. Cl.**  
USPC ..... **D7/679**

(57) **CLAIM**

The ornamental design for a grinder, as shown and described.

(58) **Field of Classification Search**  
USPC ..... D7/679, 590–597, 372, 373; D9/500, D9/503, 504  
CPC ... A21C 1/04; A47J 42/34; A47J 42/00; A47J 42/04; A47J 42/14; A47J 42/18; A47J 42/24; A47J 42/42; A47J 42/46; A47J 42/06; A47J 42/08; A47J 42/40; A47J 43/044; A47J 43/0722; A47J 43/06; A47J 43/25; A47J 43/255; A24C 5/40; B02C 18/08; B02C 18/24; B02C 18/16  
See application file for complete search history.

**DESCRIPTION**

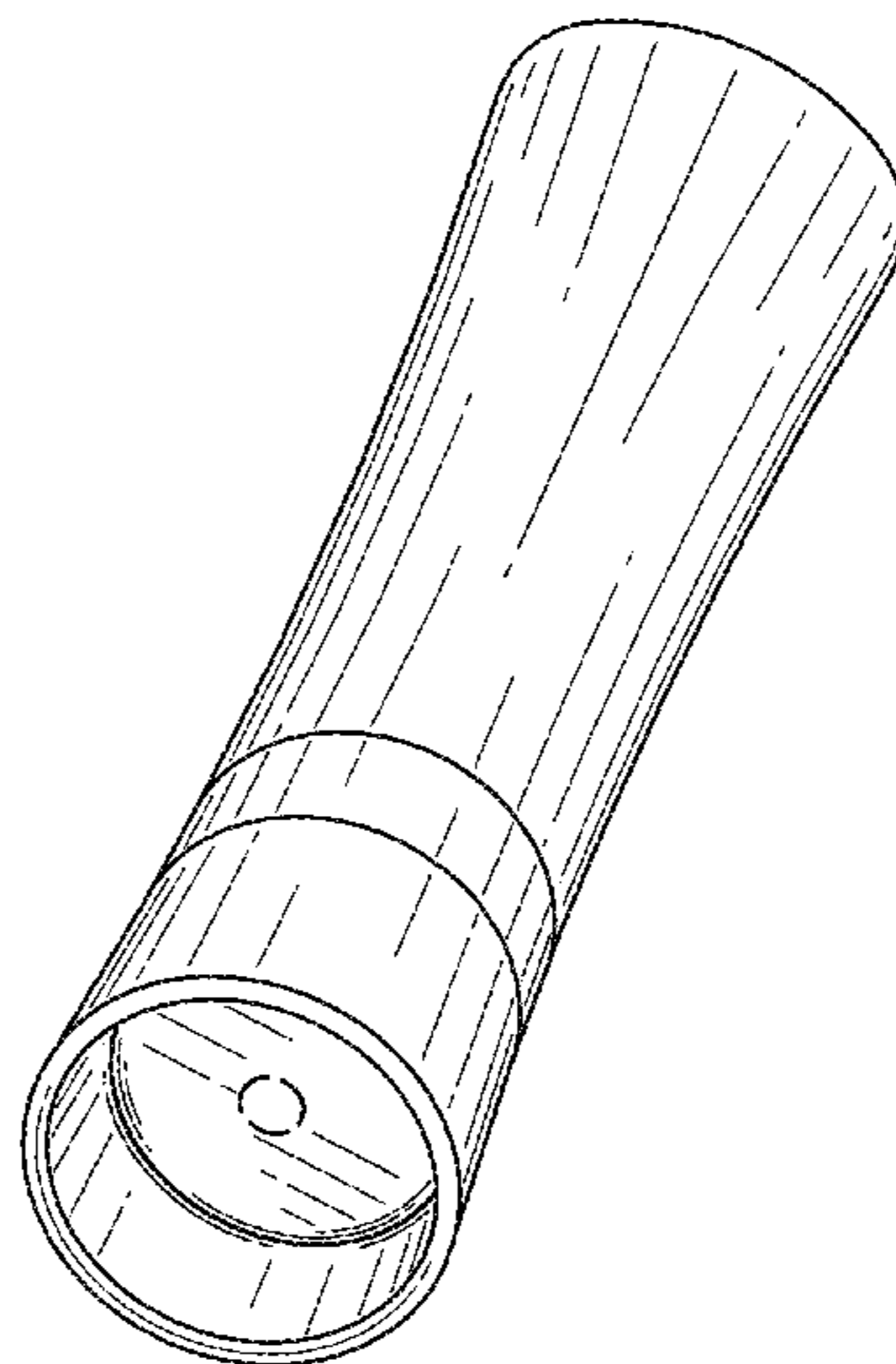
FIG. 1 is a perspective view of a grinder;  
FIG. 2 is a front view thereof;  
FIG. 3 is a rear view thereof;  
FIG. 4 is a left view thereof;  
FIG. 5 is a right view thereof;  
FIG. 6 is a top view thereof;  
FIG. 7 is a bottom view thereof; and,  
FIG. 8 is another perspective view of a grinder.  
The dashed or broken lines shown in the drawings depict portions of the grinder in which the design is embodied that form no part of the claimed design.

(56) **References Cited**

U.S. PATENT DOCUMENTS

3,235,130 A \* 2/1966 Waither ..... A47G 19/24  
222/142.9  
3,476,297 A \* 11/1969 Swett ..... A47G 19/24  
222/480

**1 Claim, 8 Drawing Sheets**



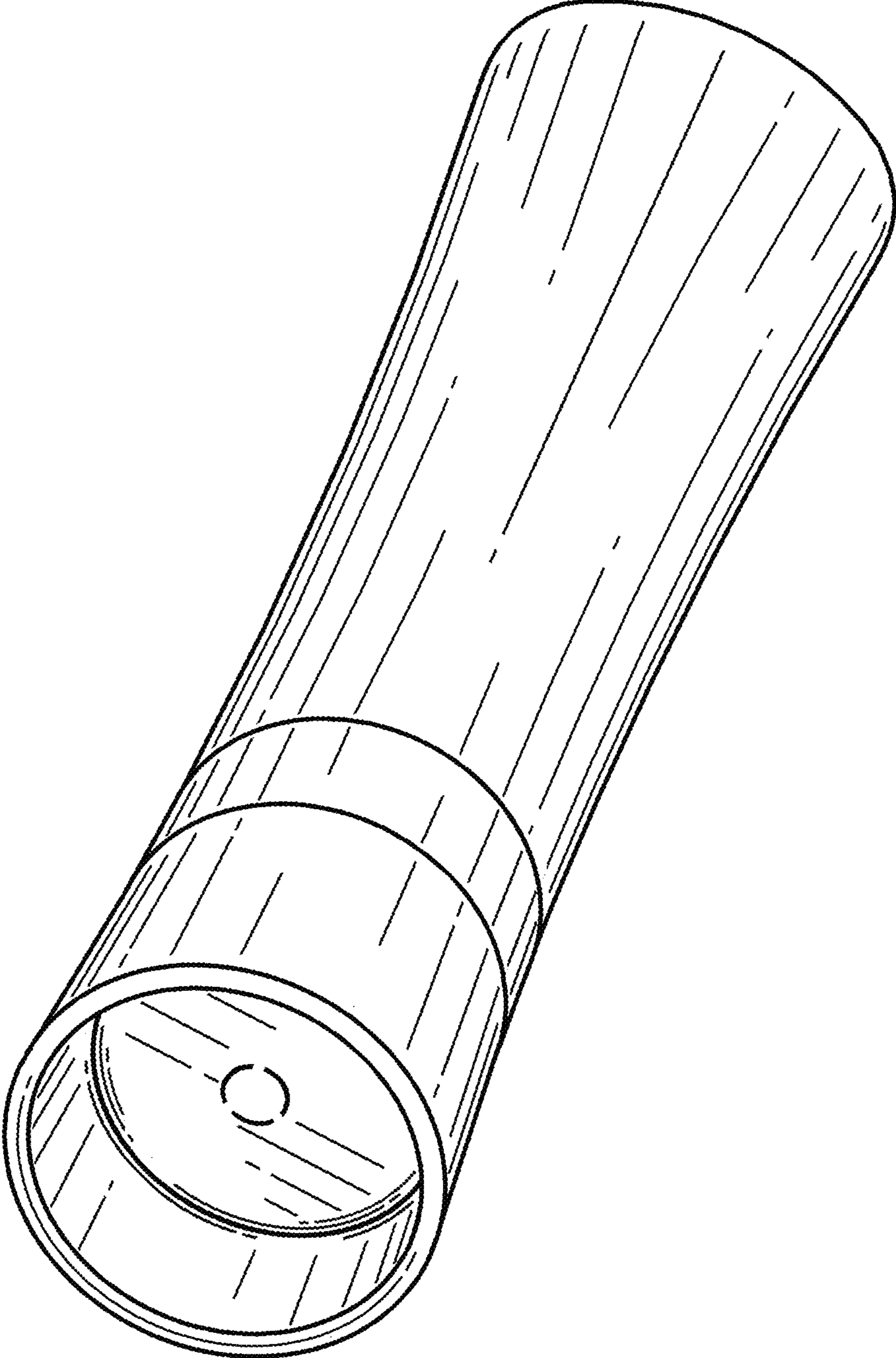


FIG. 1

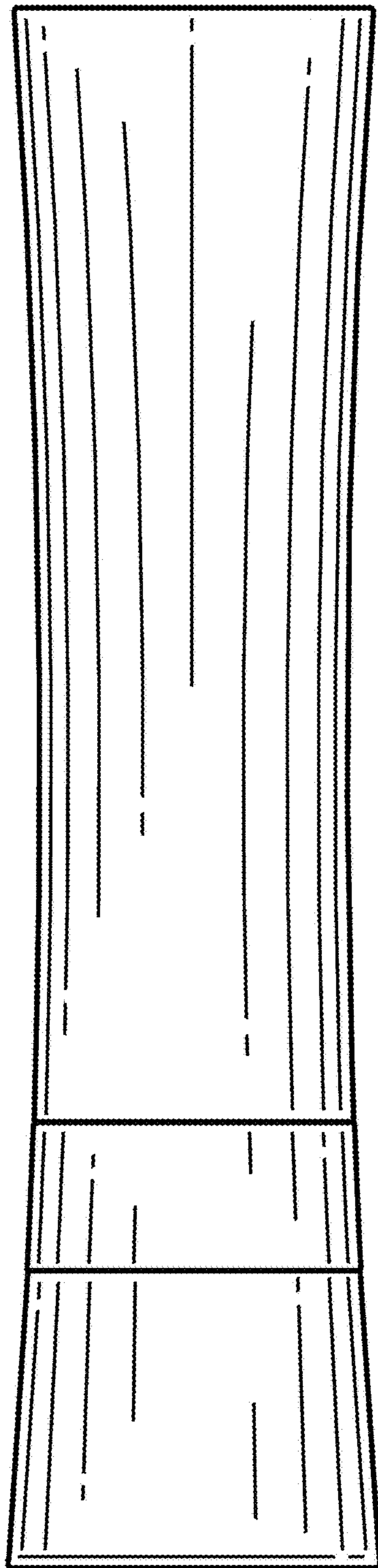


FIG. 2

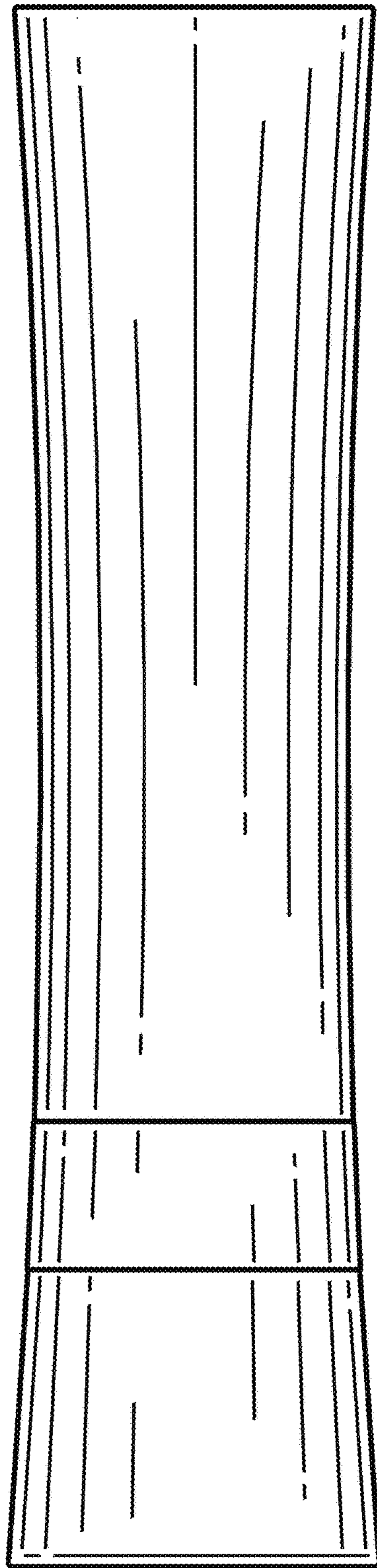


FIG. 3

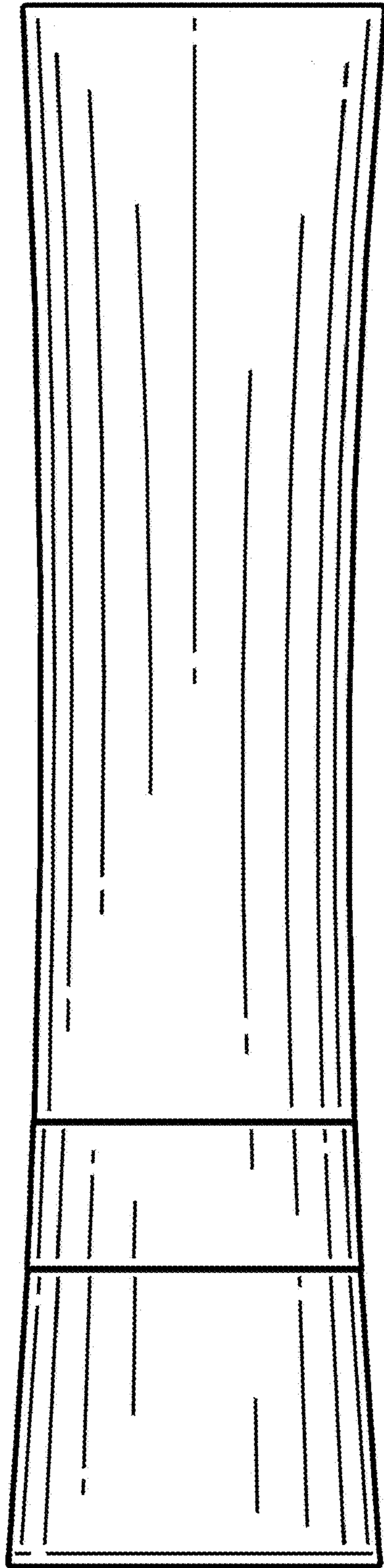


FIG. 4

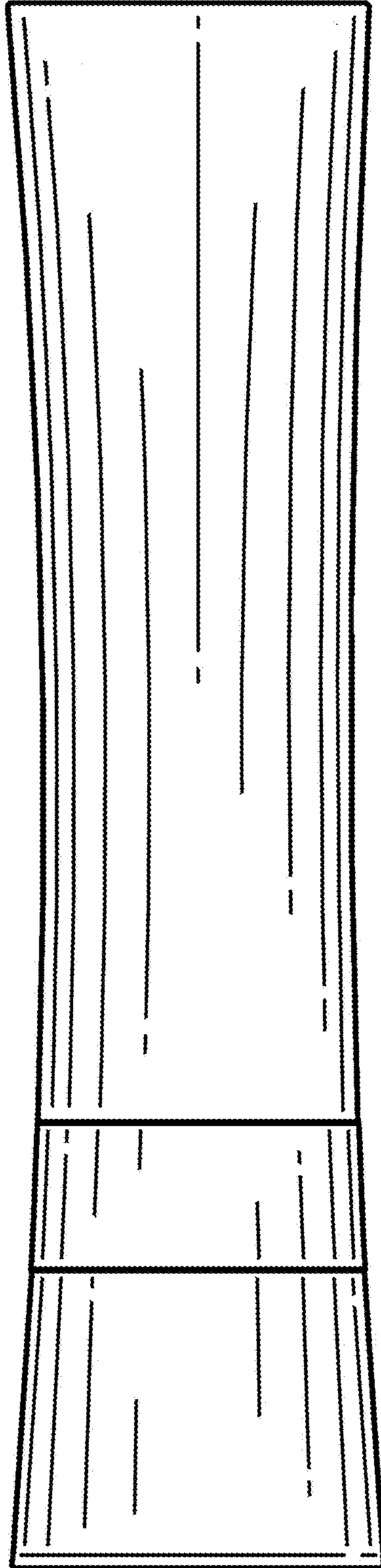


FIG. 5

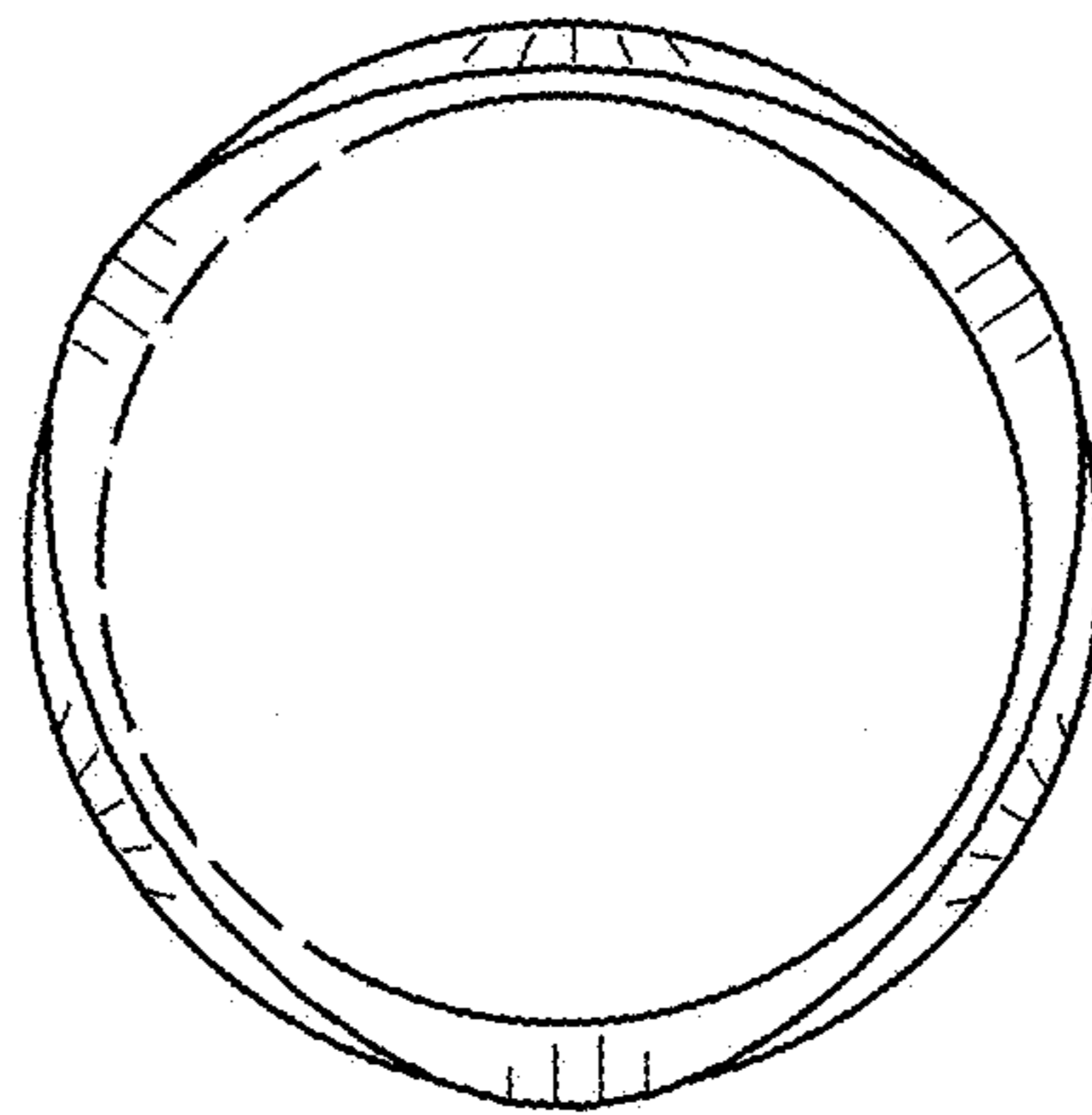


FIG. 6

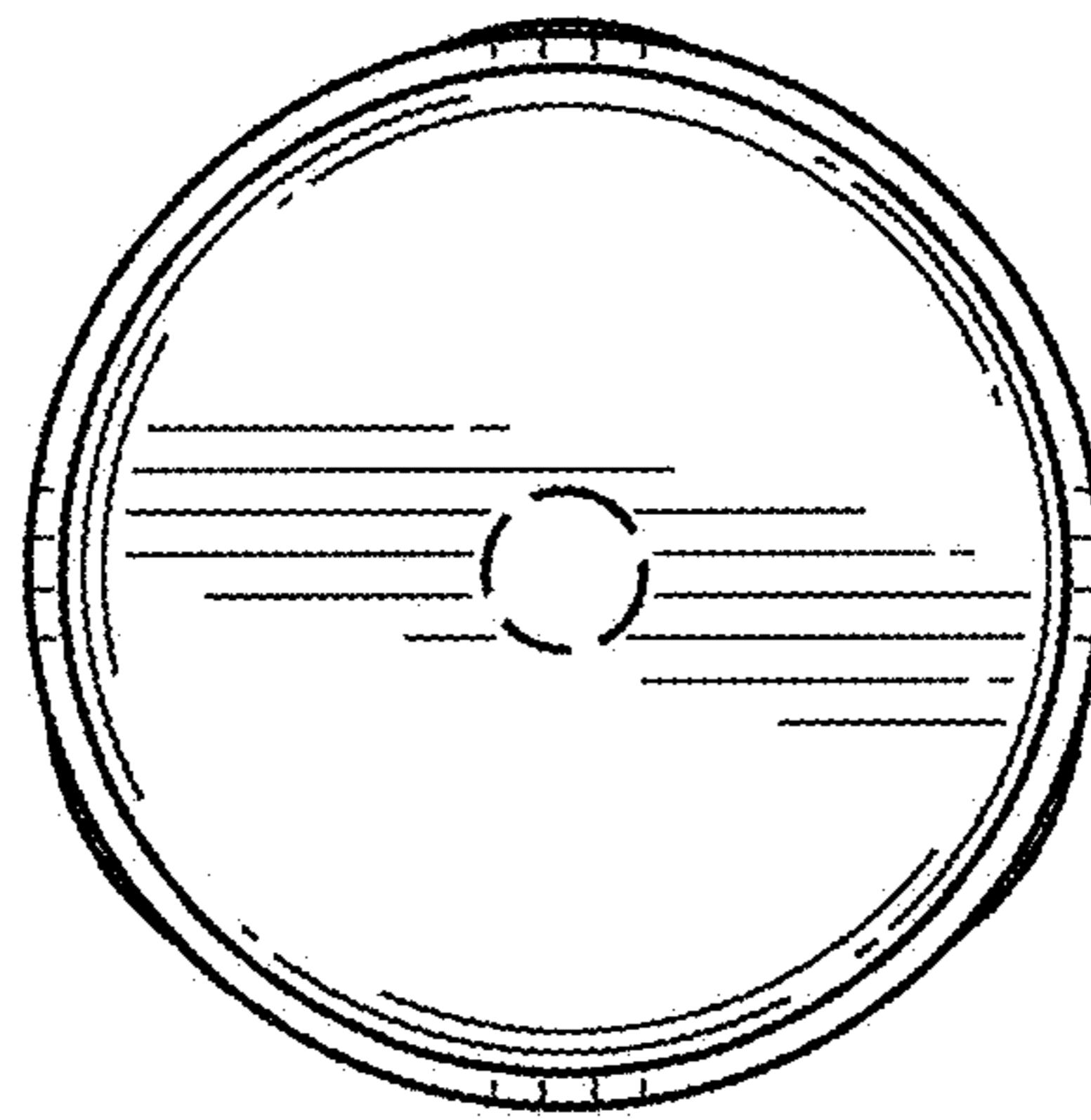


FIG. 7



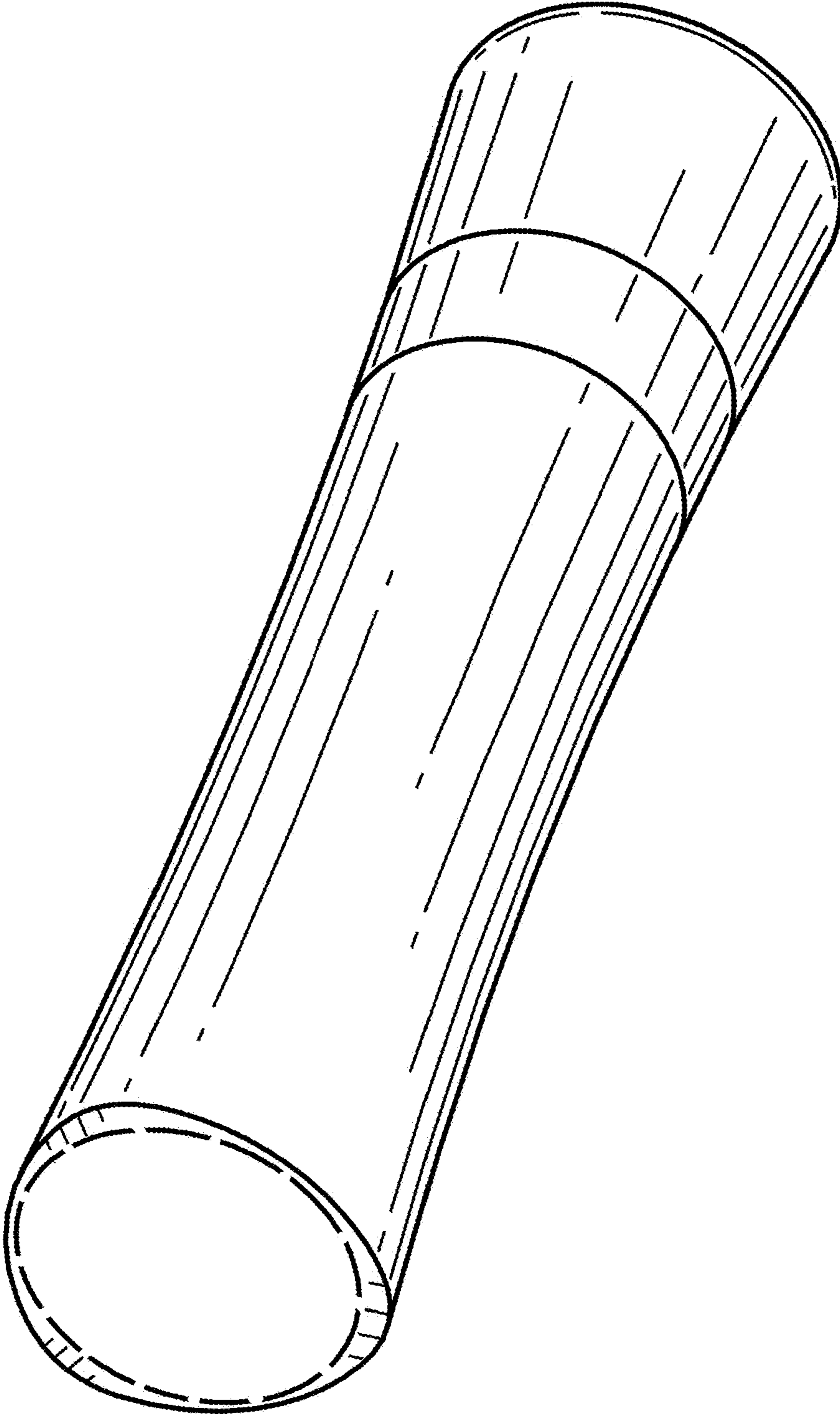


FIG. 8