



US00D853802S

(12) **United States Design Patent** (10) **Patent No.:** **US D853,802 S**  
**Riding** (45) **Date of Patent:** **\*\* Jul. 16, 2019**

(54) **SALT AND PEPPER MILL** 4,135,672 A \* 1/1979 Schlessel ..... A47J 42/04  
241/169.1  
(71) Applicant: **JOSEPH JOSEPH LTD.**, London D446,692 S \* 8/2001 Bodum ..... D7/679  
(GB) D465,135 S \* 11/2002 Ng ..... D7/679  
D484,371 S \* 12/2003 Tang ..... D7/679  
(72) Inventor: **George Riding**, Blackburn (GB) D609,535 S \* 2/2010 Kavanaugh ..... D7/679  
D616,262 S \* 5/2010 Lundstrom ..... D7/679  
(73) Assignee: **JOSEPH JOSEPH LTD.**, London D741,667 S \* 10/2015 Pietrzyk ..... D7/679  
(GB) D773,257 S \* 12/2016 Aubry ..... D7/679  
2009/0095832 A1 \* 4/2009 Wu ..... A47J 42/40  
241/169.1  
(\*\*) Term: **15 Years** 2015/0257598 A1 \* 9/2015 Krus ..... A47J 42/04  
241/30

(21) Appl. No.: **29/639,593**

(22) Filed: **Mar. 7, 2018**

(30) **Foreign Application Priority Data**

Sep. 7, 2017 (EM) ..... 004246585-0016

(51) **LOC (11) Cl.** ..... **07-04**

(52) **U.S. Cl.**  
USPC ..... **D7/679**

(58) **Field of Classification Search**  
USPC ..... D7/679, 590-597, 372, 373; D9/500,  
D9/503, 504  
CPC ... A21C 1/04; A47J 42/34; A47J 42/00; A47J  
42/04; A47J 42/14; A47J 42/18; A47J  
42/24; A47J 42/42; A47J 42/46; A47J  
42/06; A47J 42/40; A47J 43/044; A47J  
43/0722; A47J 43/06; A47J 43/25; A47J  
43/255; A24C 5/40; B02C 18/08; B02C  
18/24; B02C 18/16

See application file for complete search history.

(56) **References Cited**

**U.S. PATENT DOCUMENTS**

3,235,130 A \* 2/1966 Waither ..... A47G 19/24  
222/142.9  
3,476,297 A \* 11/1969 Swett ..... A47G 19/24  
222/480

\* cited by examiner

*Primary Examiner* — Terry A Wallace

(74) *Attorney, Agent, or Firm* — Millen, White, Zelano & Branigan, PC

(57) **CLAIM**

The ornamental design for a salt and pepper mill, as shown and described.

**DESCRIPTION**

FIG. 1 is a top perspective view of the salt and pepper mill showing my new design.

FIG. 2 is a side view thereof.

FIG. 3 is another side view thereof.

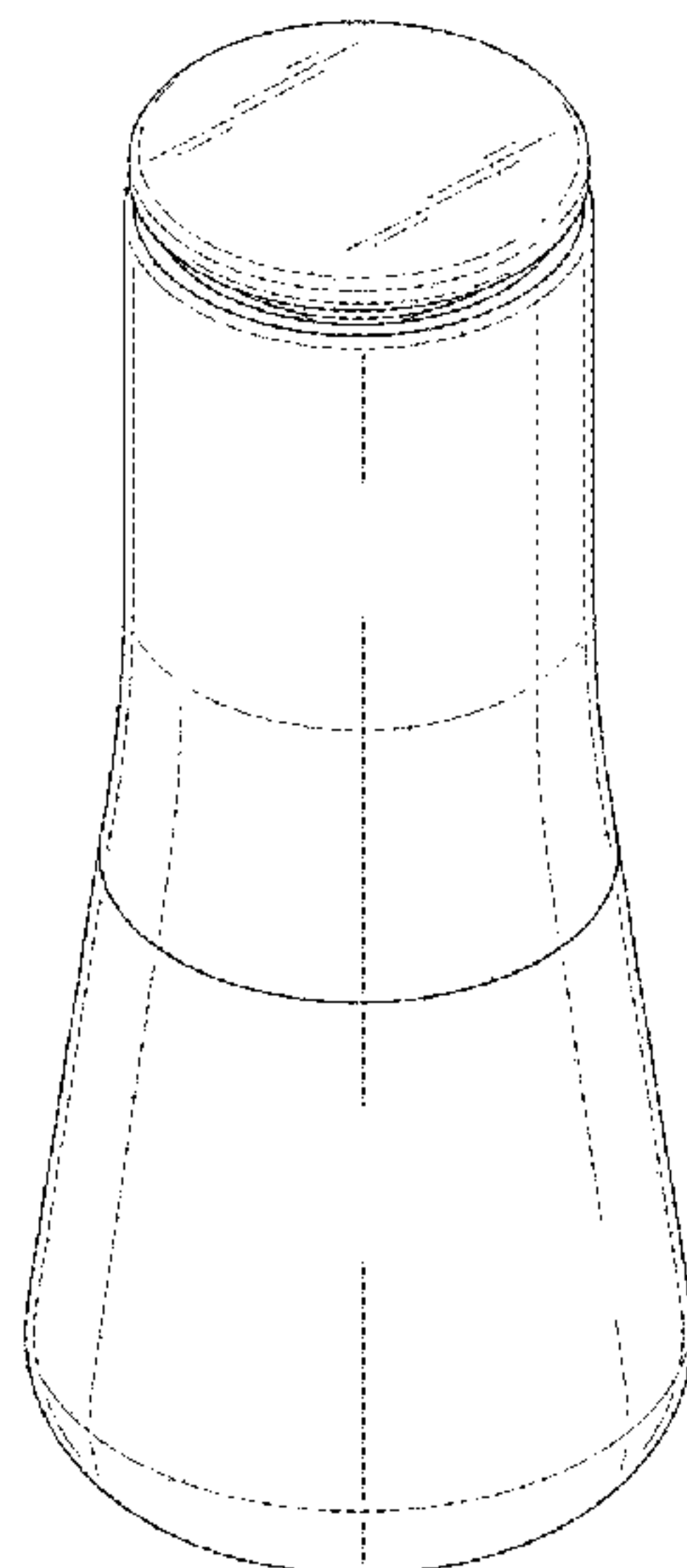
FIG. 4 is another side view thereof.

FIG. 5 is another side view thereof.

FIG. 6 is a top view thereof; and,

FIG. 7 is bottom view thereof.

**1 Claim, 7 Drawing Sheets**



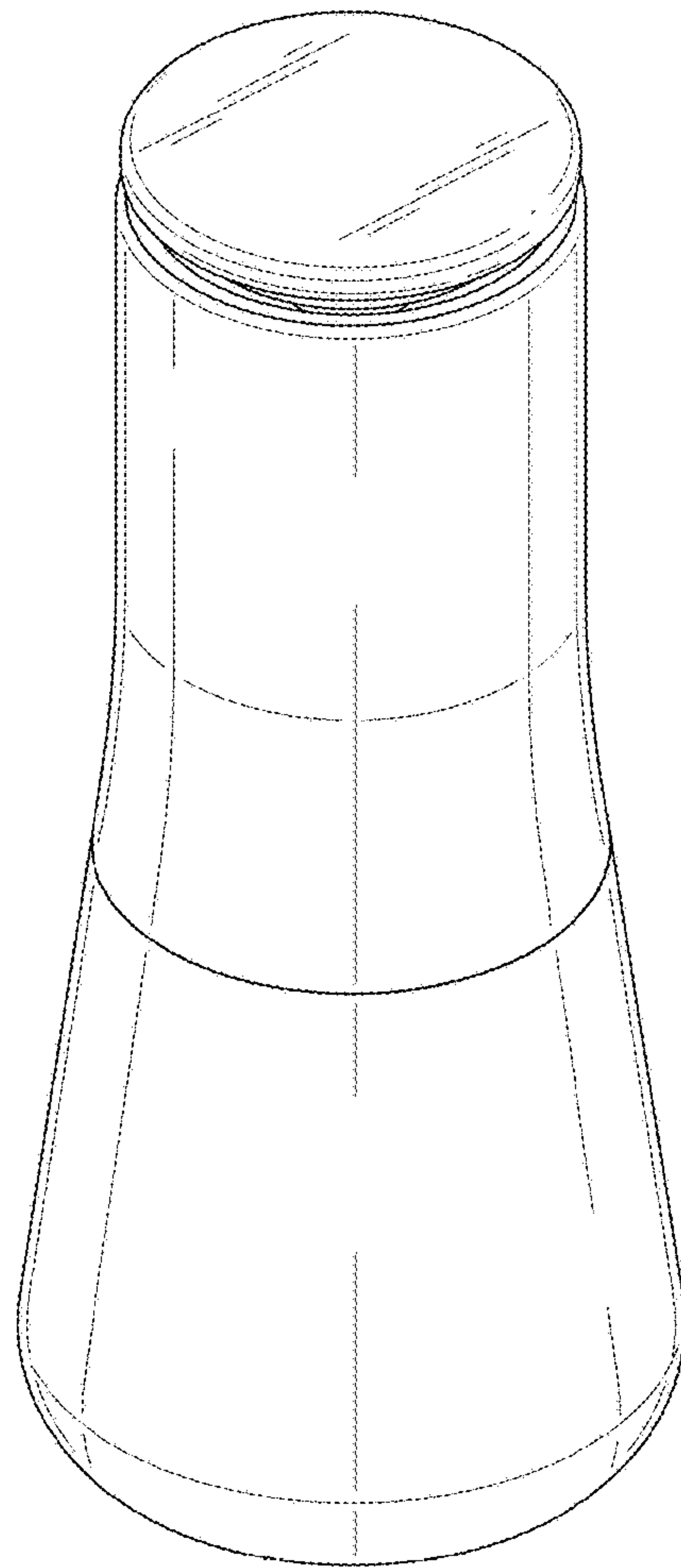


FIG. 1

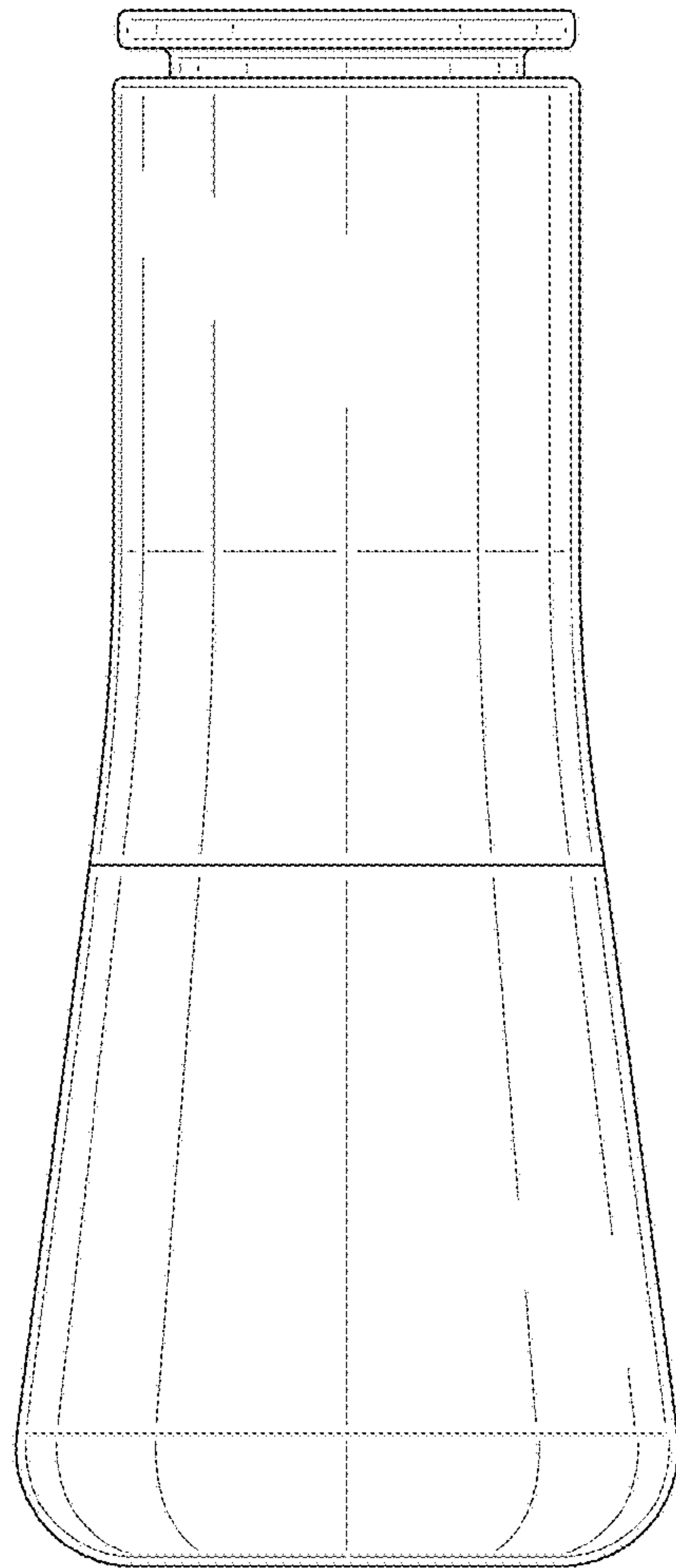


FIG. 2

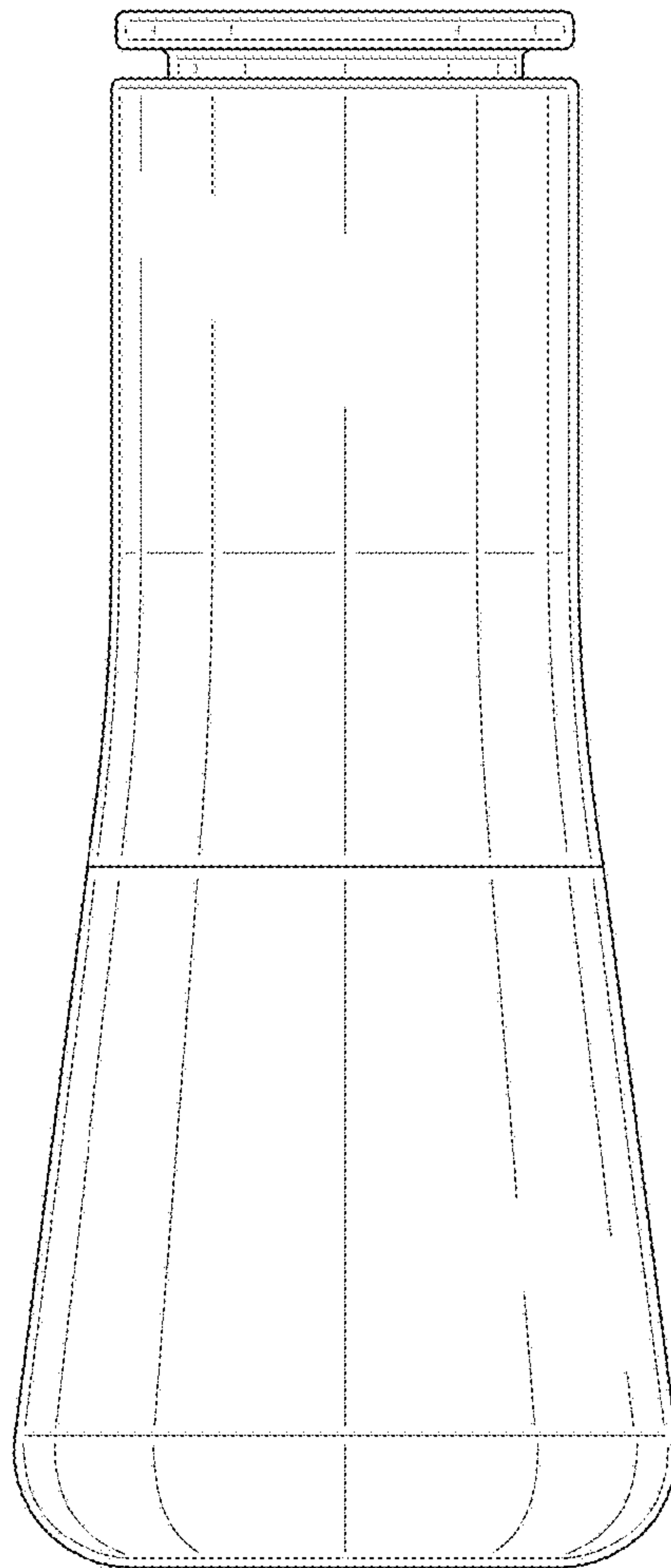


FIG. 3

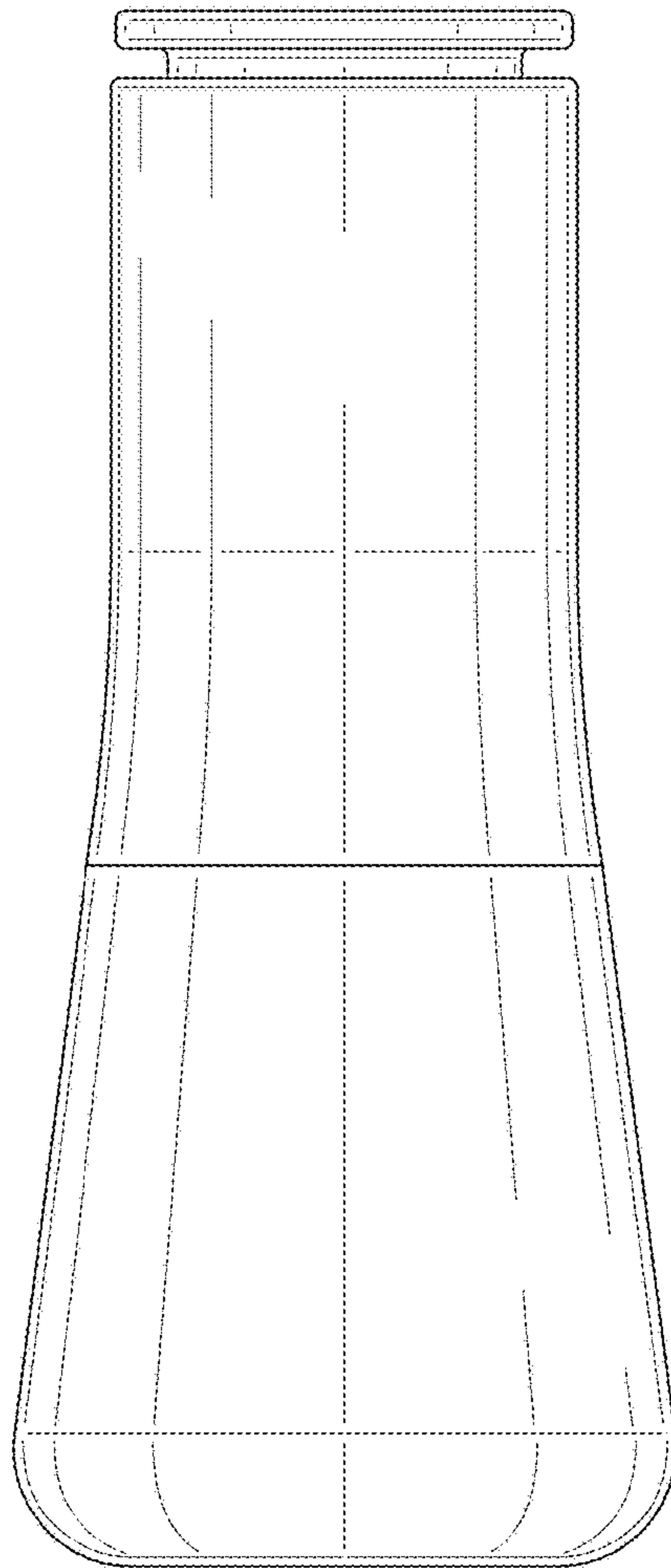


FIG. 4

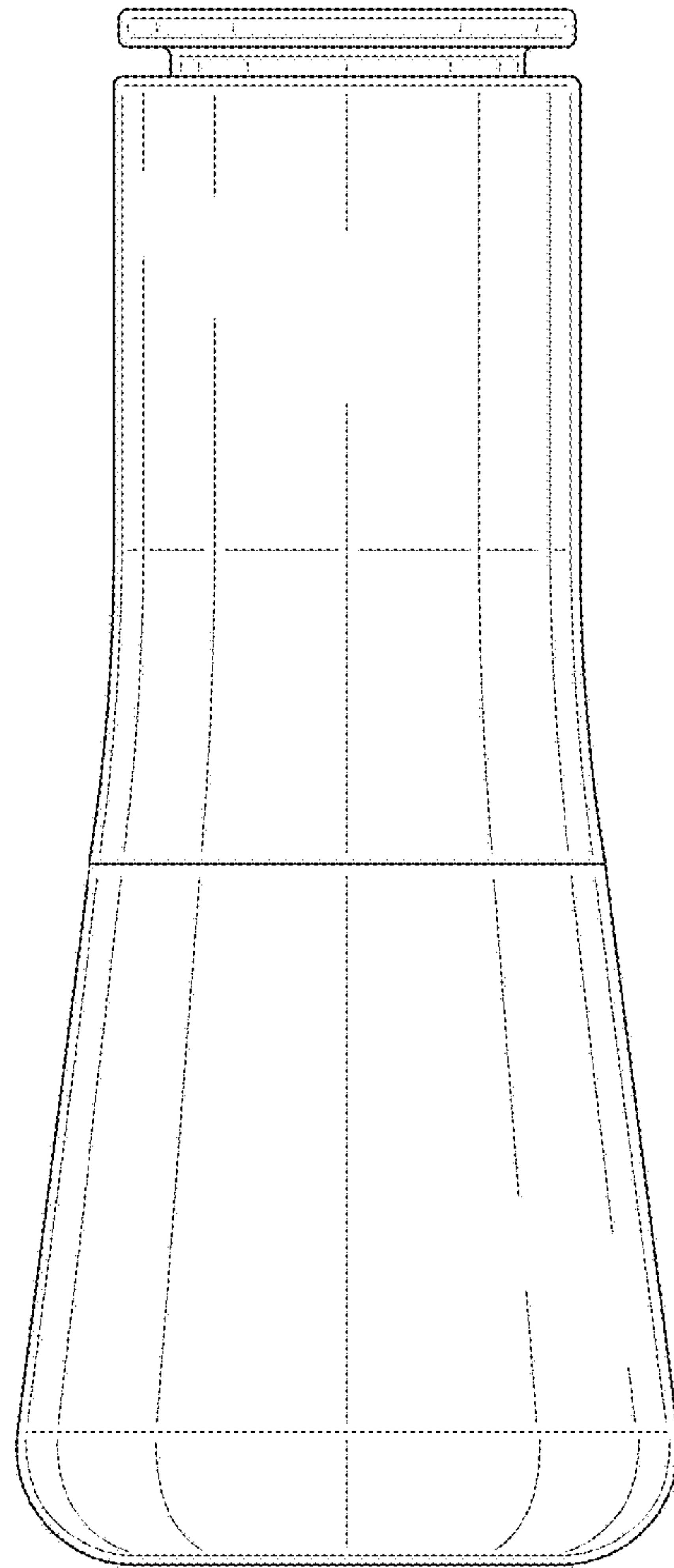


FIG. 5

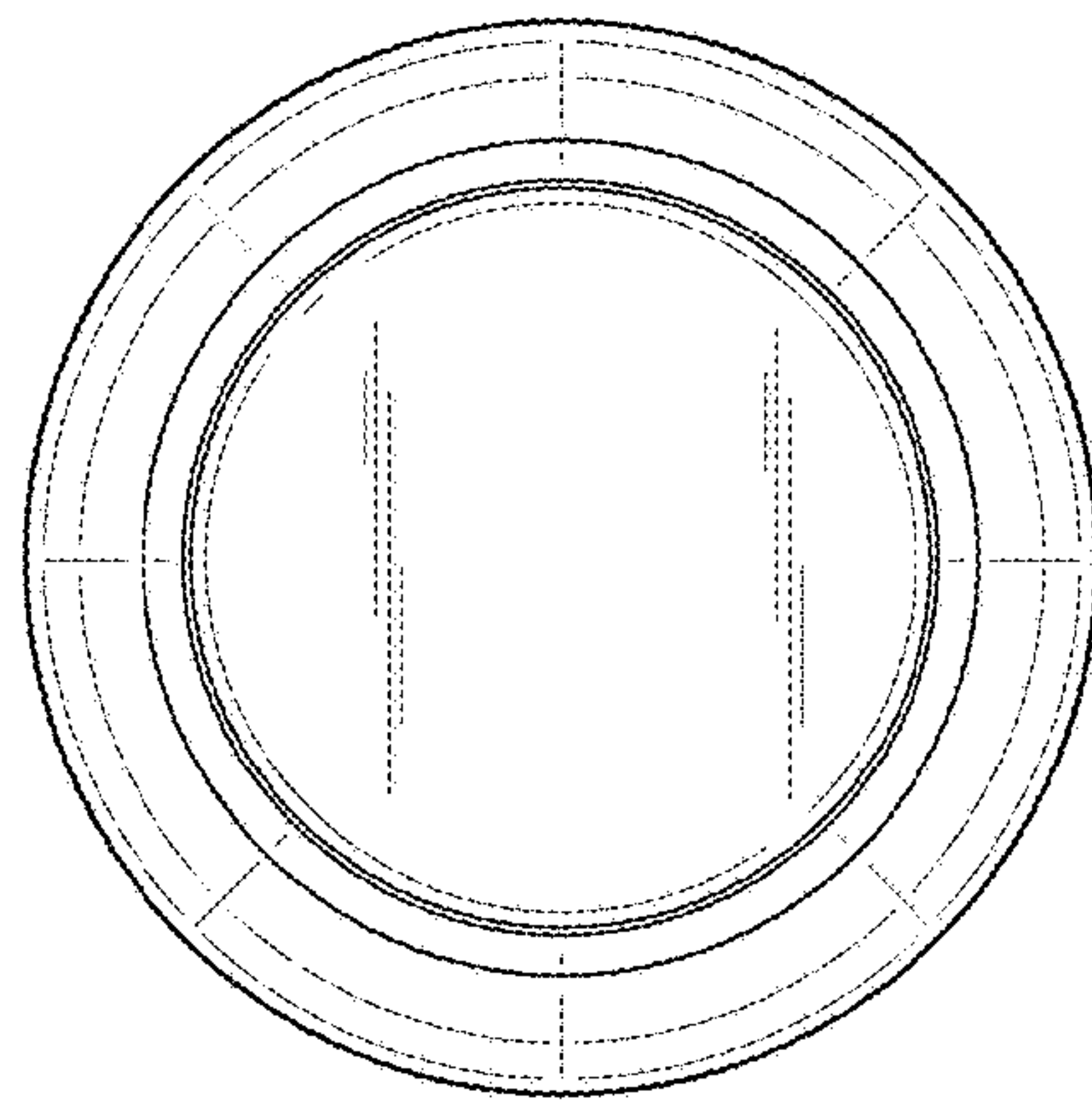


FIG. 6

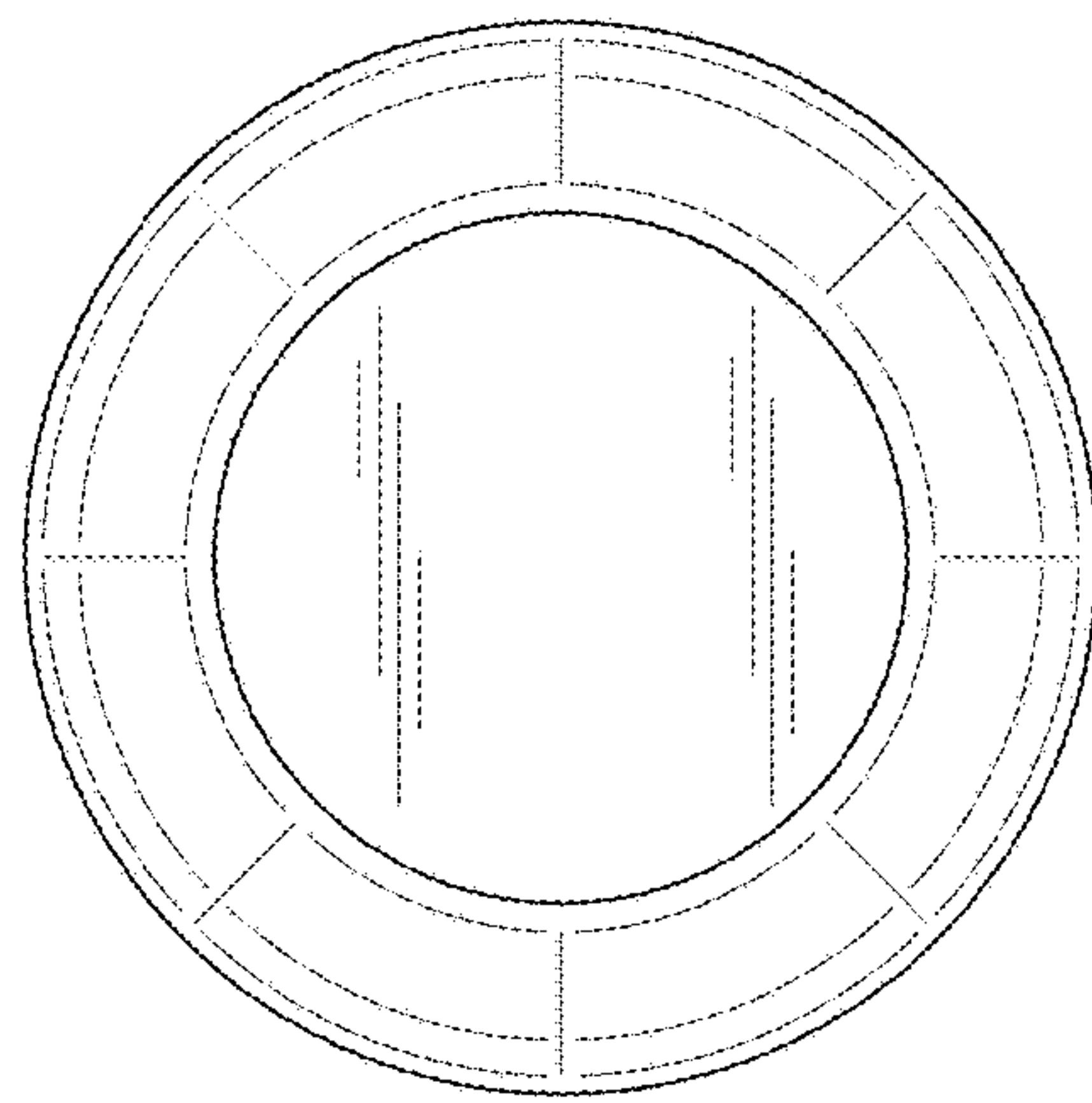


FIG. 7