



US00D853801S

(12) **United States Design Patent** (10) **Patent No.:** **US D853,801 S**  
**Palese** (45) **Date of Patent:** **\*\* Jul. 16, 2019**

(54) **JERKY GUN**

2007/0215649 A1\* 9/2007 Tirone ..... A23G 3/2015  
222/391

(71) Applicant: **BLUE SKY INNOVATION GROUP, INC.**, Avon, OH (US)

\* cited by examiner

(72) Inventor: **Jeffrey W. Palese**, North Ridgeville, OH (US)

*Primary Examiner* — Terry A Wallace

(74) *Attorney, Agent, or Firm* — Tarolli, Sundheim, Covell & Tummino LLP

(73) Assignee: **BLUE SKY INNOVATION GROUP, INC.**, Avon, OH (US)

(57) **CLAIM**

The ornamental design for a jerky gun, as shown and described.

(\*\*) Term: **15 Years**

**DESCRIPTION**

(21) Appl. No.: **29/642,458**

FIG. 1 is a front, top perspective view of a jerky gun showing my new design.

(22) Filed: **Mar. 29, 2018**

FIG. 2 is a rear, bottom perspective view thereof.

(51) **LOC (11) Cl.** ..... **07-06**

FIG. 3 is a left side view thereof.

(52) **U.S. Cl.**

FIG. 4 is a right side view thereof.

USPC ..... **D7/669**

FIG. 5 is a top plan view thereof.

(58) **Field of Classification Search**

FIG. 6 is a bottom plan view thereof.

USPC ..... D7/669, 368, 378; D8/14.1

FIG. 7 is a front view thereof.

CPC ..... A23G 3/2015; A23G 3/28; B05C 17/01;

FIG. 8 is a rear view thereof.

B05C 17/0123; B05C 17/00; B05C

FIG. 9 is a front, top perspective view thereof with an alternate end portion shown in broken lines.

17/0103; B05C 17/0016; B05C 21/00;

FIG. 10 is a front, top perspective view thereof with an alternate end portion shown in broken lines.

B05C 1/00

FIG. 11 is a front, top perspective view thereof with an alternate end portion shown in broken lines.

See application file for complete search history.

FIG. 12 is a front, top perspective view thereof with an alternate end portion shown in broken lines.

(56) **References Cited**

**U.S. PATENT DOCUMENTS**

3,231,149 A \* 1/1966 Yuza ..... A23G 3/28  
137/853

7,063,240 B1 \* 6/2006 Niswonger ..... B05C 17/0103  
222/1

D573,425 S \* 7/2008 Post ..... D8/14.1

8,011,538 B2 \* 9/2011 Herman ..... B05C 17/01  
222/326

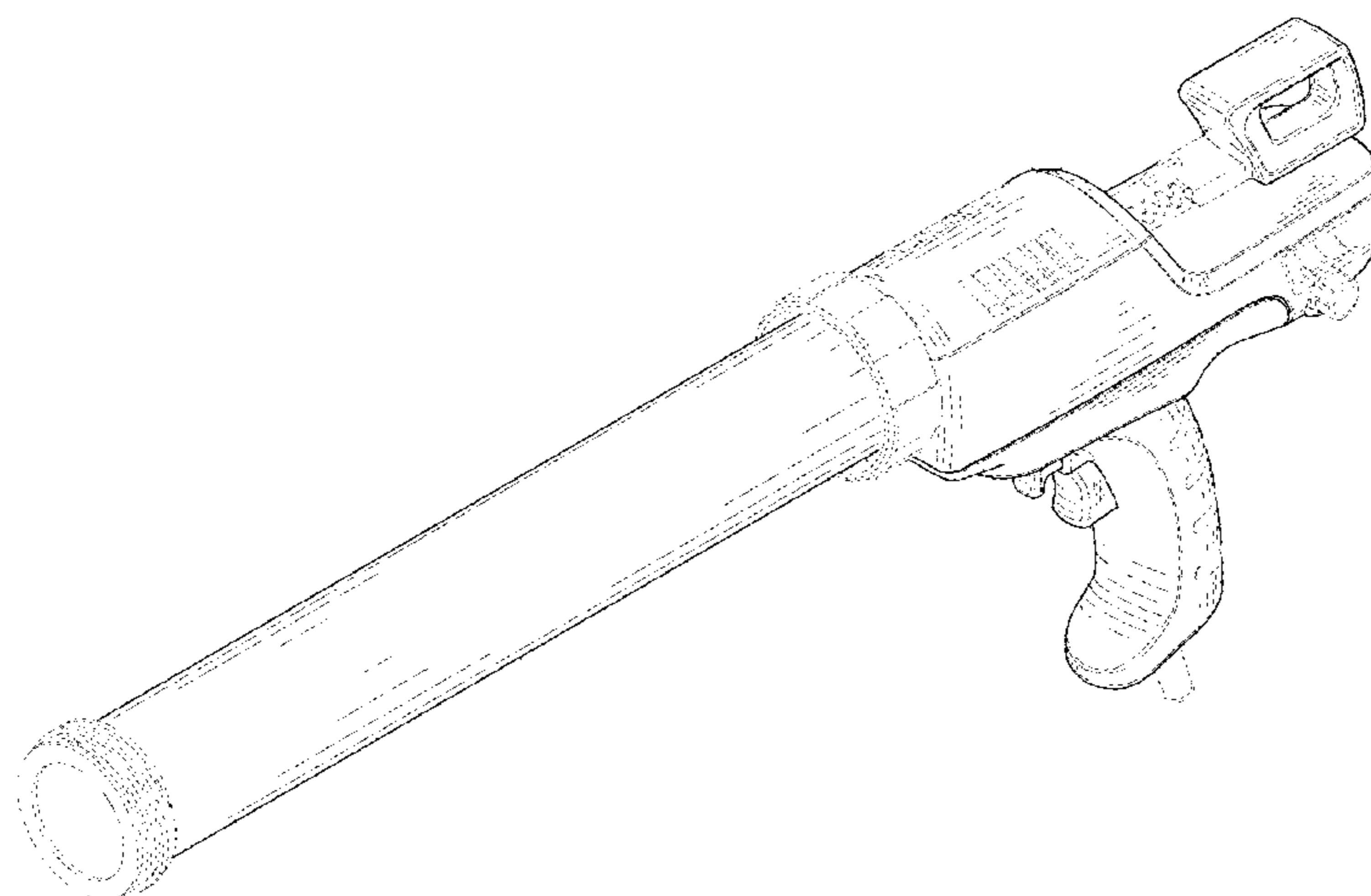
D725,978 S \* 4/2015 Uematsu ..... D8/14.1

FIG. 13 is a front, top perspective view thereof with an alternate end portion shown in broken lines; and,

FIG. 14 is a front, top perspective view thereof with an alternate end portion shown in broken lines.

The broken lines are for illustrative purposes only and form no part of the claimed design.

**1 Claim, 9 Drawing Sheets**



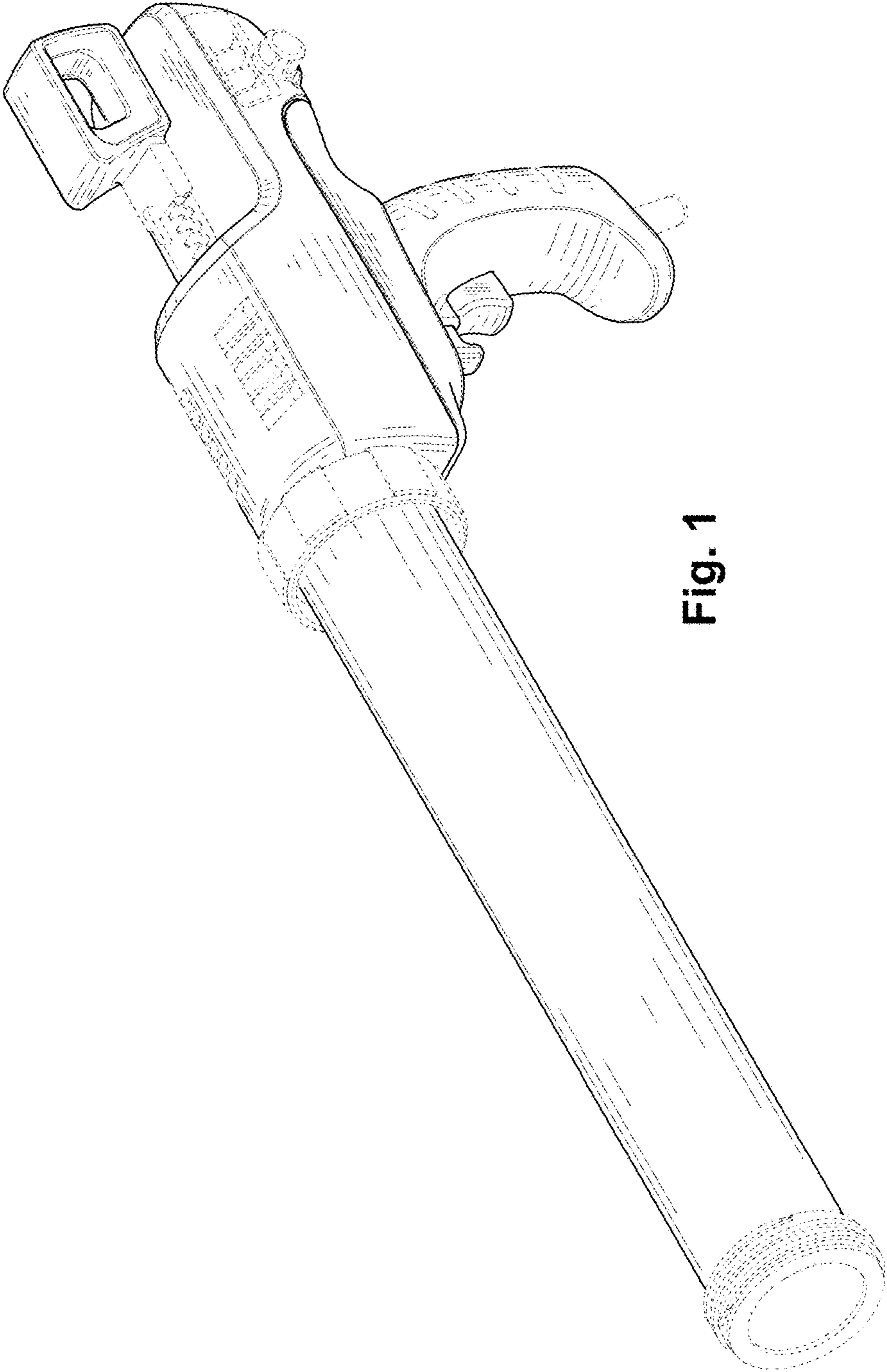


Fig. 1

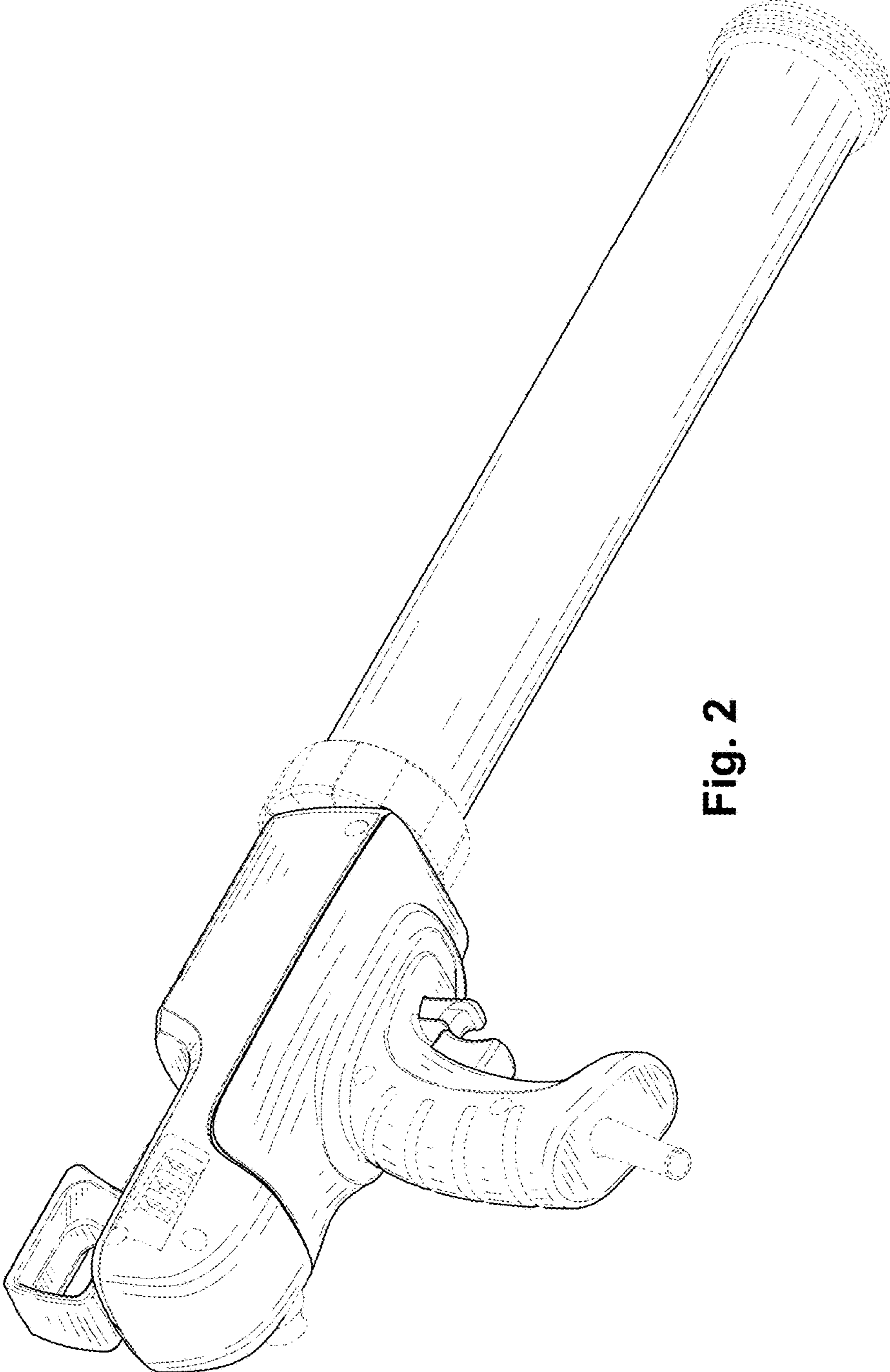


Fig. 2

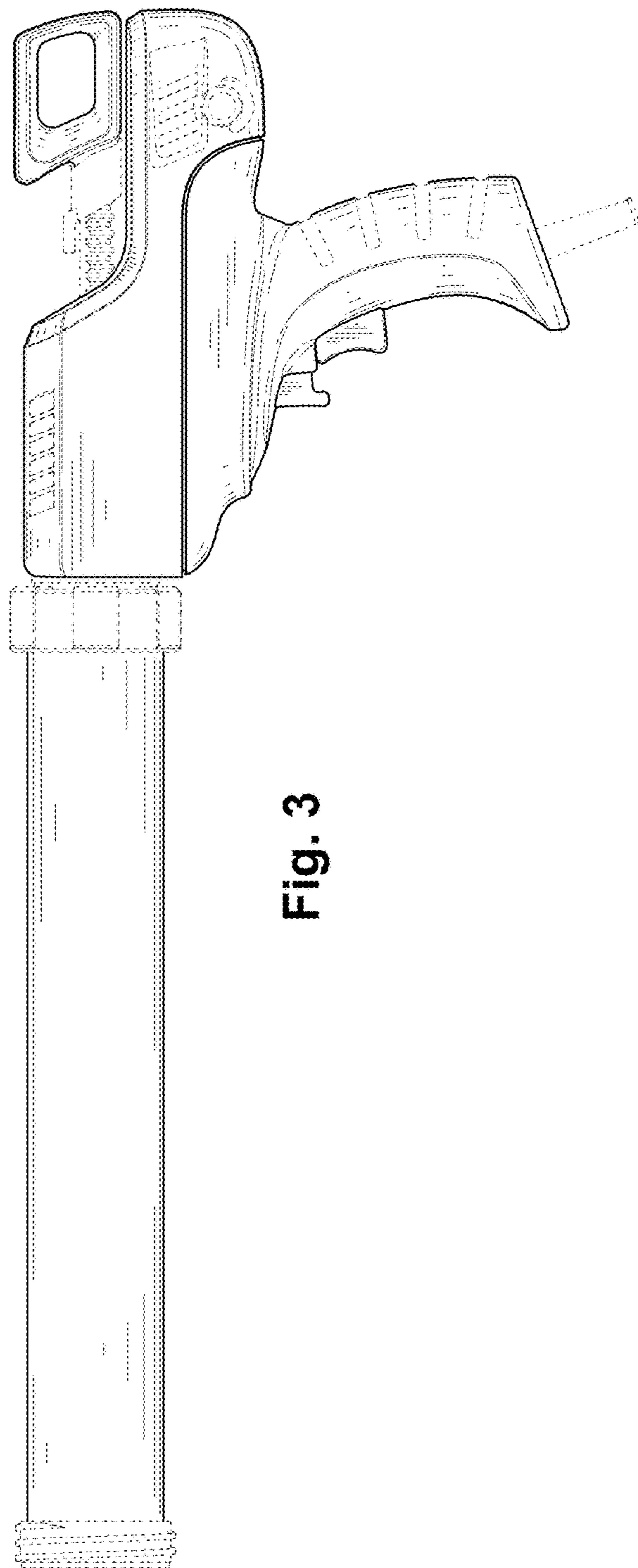


Fig. 3

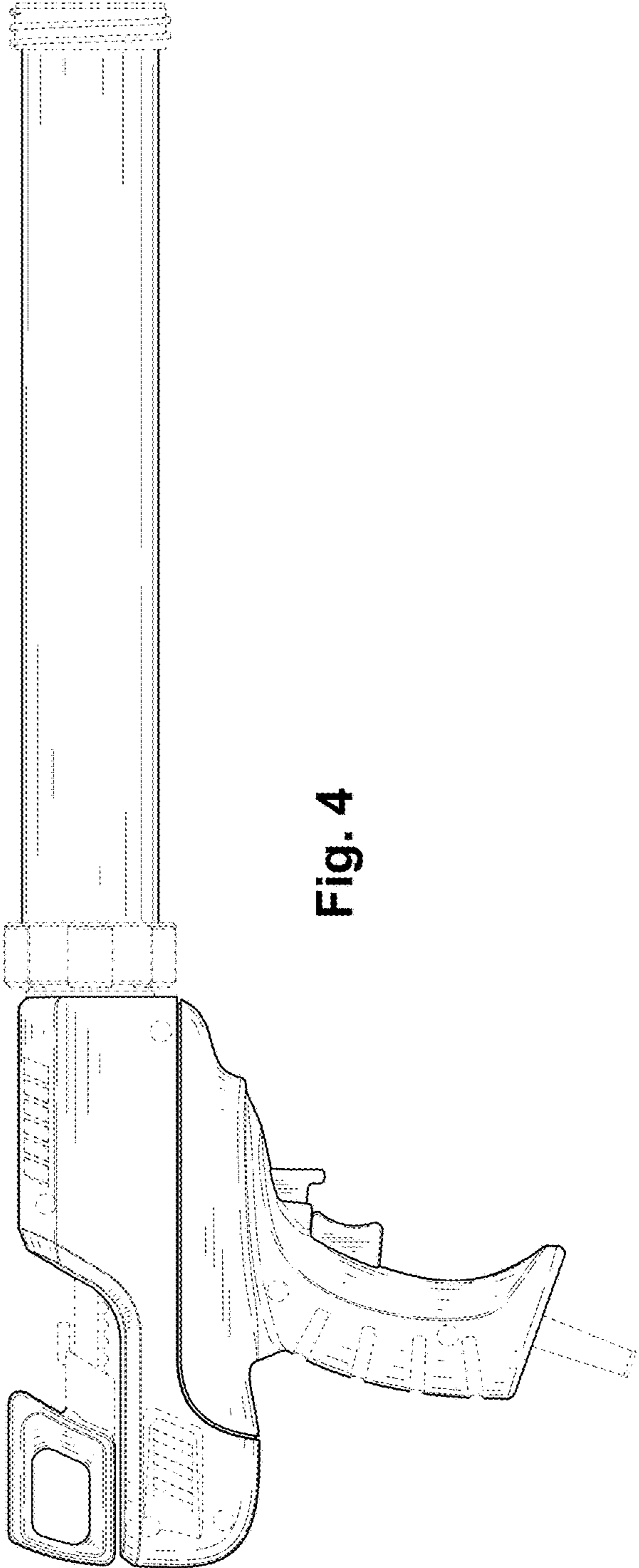


Fig. 4

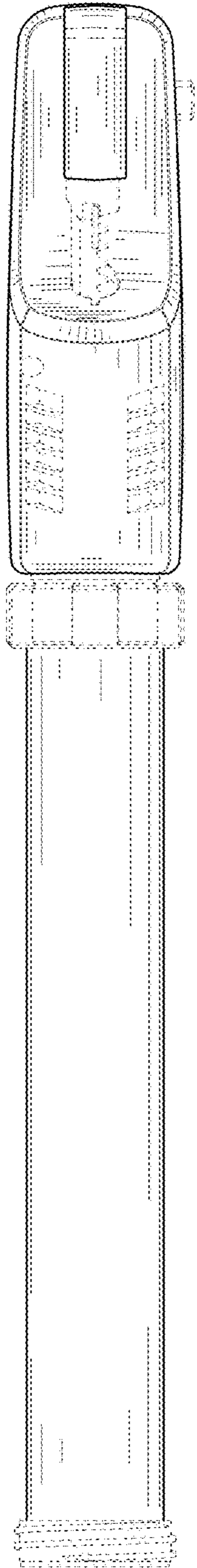


Fig. 5

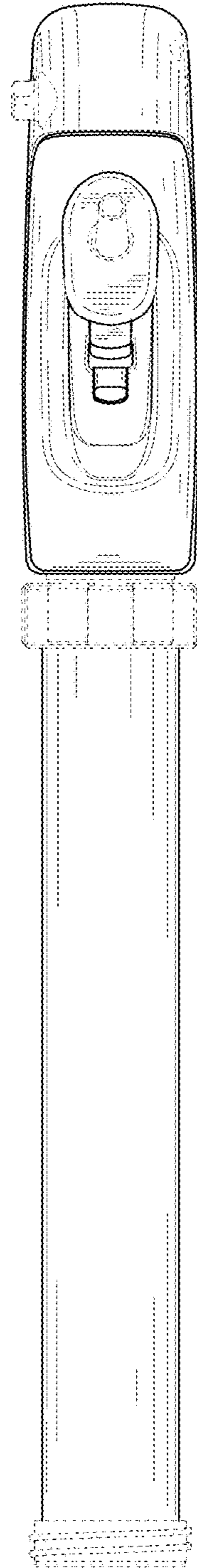


Fig. 6

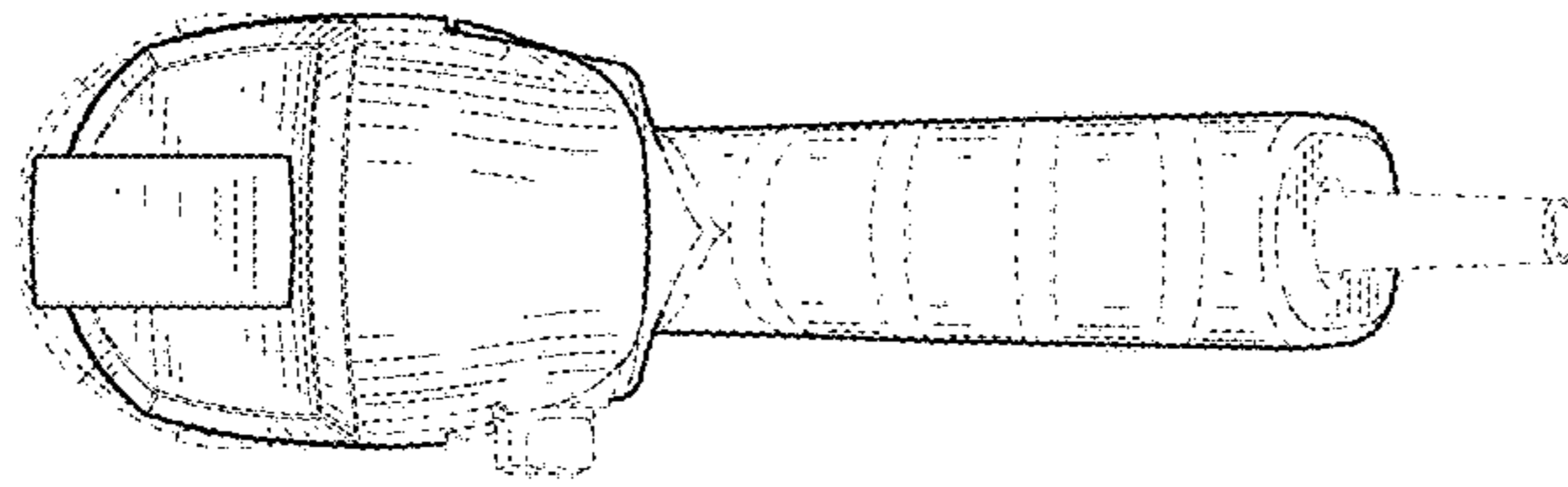


Fig. 8

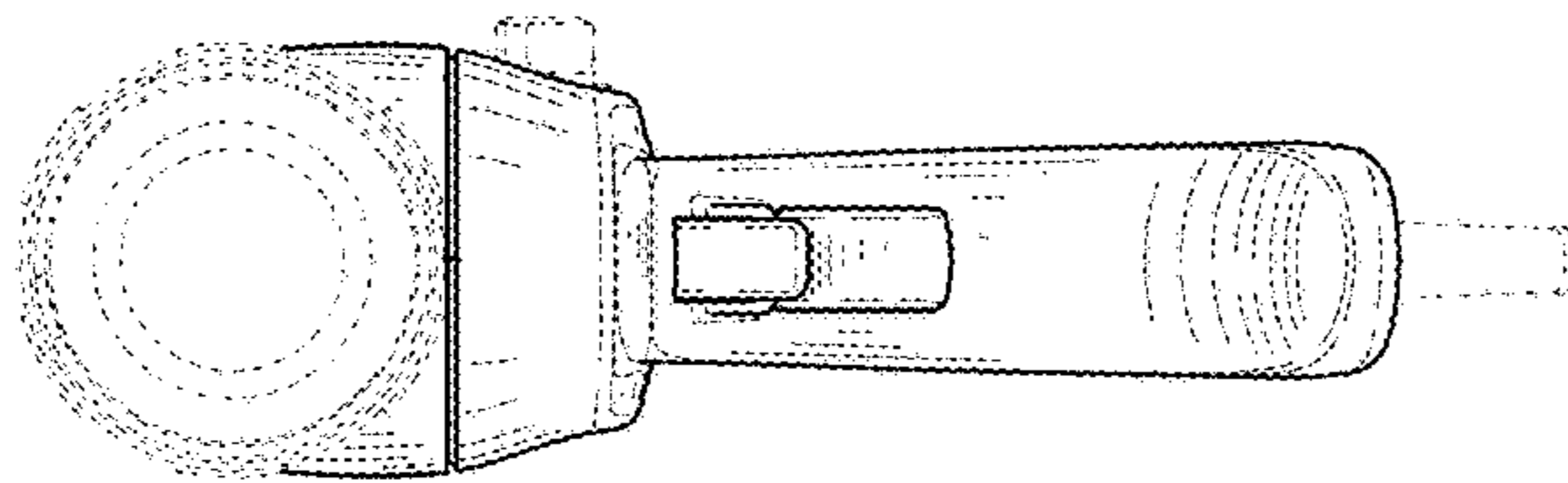
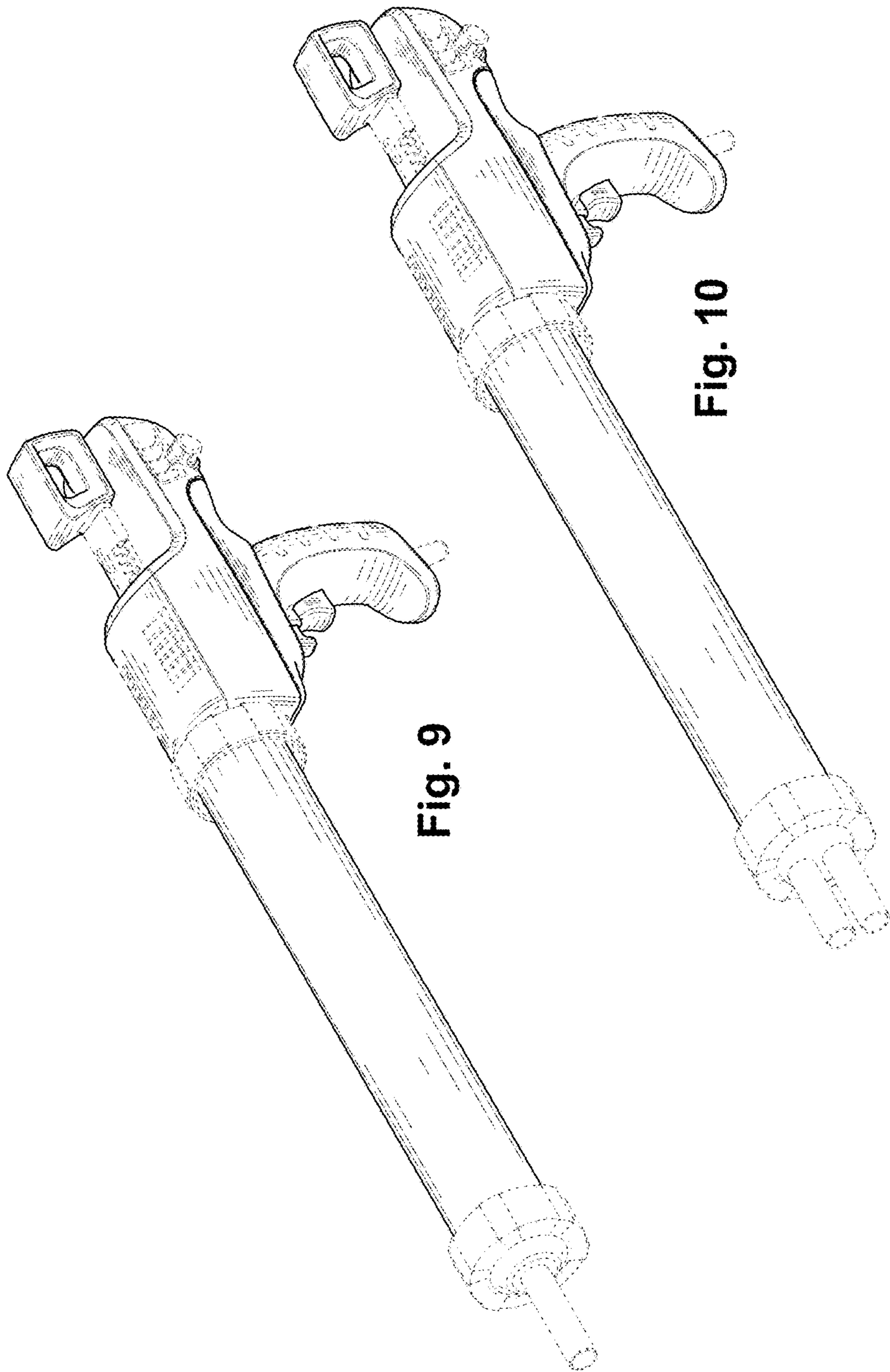


Fig. 7





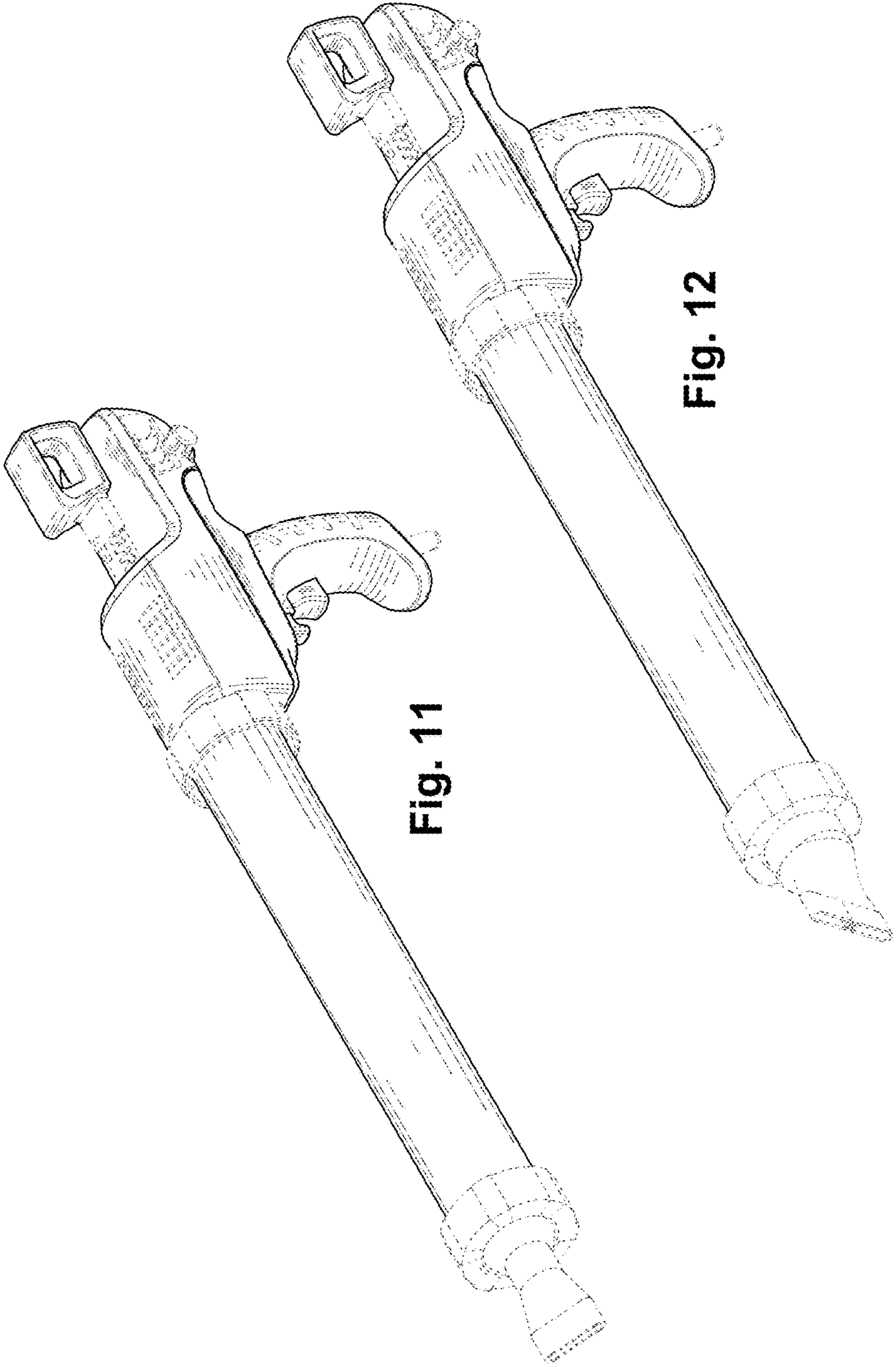


Fig. 11

Fig. 12

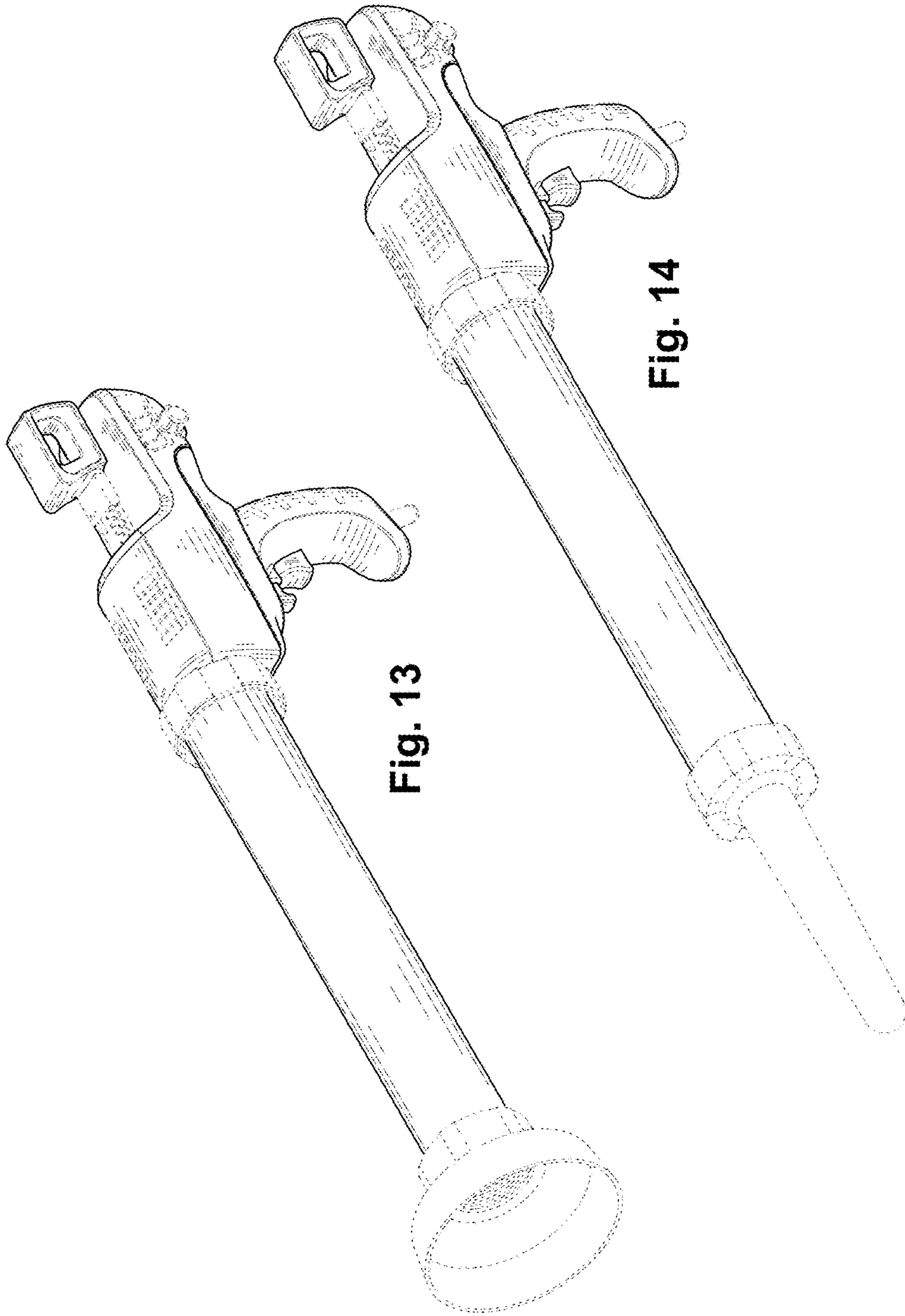


Fig. 13

Fig. 14