



US00D853799S

(12) **United States Design Patent** (10) **Patent No.:** **US D853,799 S**
Huynh (45) **Date of Patent:** **** Jul. 16, 2019**

(54) **TRAY FOR MAKING AND SERVING ROLLED FOODS**

(71) Applicant: **Vinh Phuoc Huynh**, Norcross, GA (US)

(72) Inventor: **Vinh Phuoc Huynh**, Norcross, GA (US)

(**) Term: **15 Years**

(21) Appl. No.: **29/604,550**

(22) Filed: **May 18, 2017**

Related U.S. Application Data

(63) Continuation-in-part of application No. 29/595,492, filed on Feb. 28, 2017, now Pat. No. Des. 820,653.

(51) **LOC (11) Cl.** **07-04**

(52) **U.S. Cl.**
USPC **D7/669**

(58) **Field of Classification Search**
USPC D7/368, 543, 549, 550.1, 586, 587, 669, D7/698-699; D32/55-57
CPC A47J 47/00; A47J 47/005; A47J 47/20; B23D 21/00; B26D 7/0006; B26D 7/018; B26D 7/20
See application file for complete search history.

(56) **References Cited**

U.S. PATENT DOCUMENTS

- 3,736,088 A * 5/1973 Jimenez A21B 3/00 118/506
- D268,646 S * 4/1983 Hudson, Jr. D9/425
- D363,196 S * 10/1995 Kristiansen D7/553.3
- D424,941 S * 5/2000 Boutour D9/456
- D457,371 S * 5/2002 Grassman D6/552
- D478,810 S * 8/2003 Wilson D9/415
- D507,451 S * 7/2005 Land D7/357
- D518,330 S * 4/2006 Doran D7/357
- D523,751 S * 6/2006 Vetrano D9/456
- D527,674 S * 9/2006 Biglarians D11/131.1

- D612,606 S * 3/2010 Waldeck D3/303
- D637,232 S * 5/2011 Ringl D19/86
- D651,449 S * 1/2012 Pallotto D7/669
- D655,165 S * 3/2012 Jensen B65D 25/10 D9/456
- D697,770 S * 1/2014 Khuu D7/698
- D703,551 S * 4/2014 Kirchmayr D9/424
- D734,146 S * 7/2015 Fischer D9/424

(Continued)

FOREIGN PATENT DOCUMENTS

CA 108527 * 9/2004

OTHER PUBLICATIONS

Long Wooden Cutting Board with Recess. Online, published date unknown. Retrieved on May 23, 2018 from URL: <https://surroundingshouston.com/products/copy-of-wooden-cutting-board-1-x-7-5-x-11-5>.*

Primary Examiner — Susan Bennett Hattan
Assistant Examiner — Omeed Agilee
(74) *Attorney, Agent, or Firm* — Miller & Martin PLLC

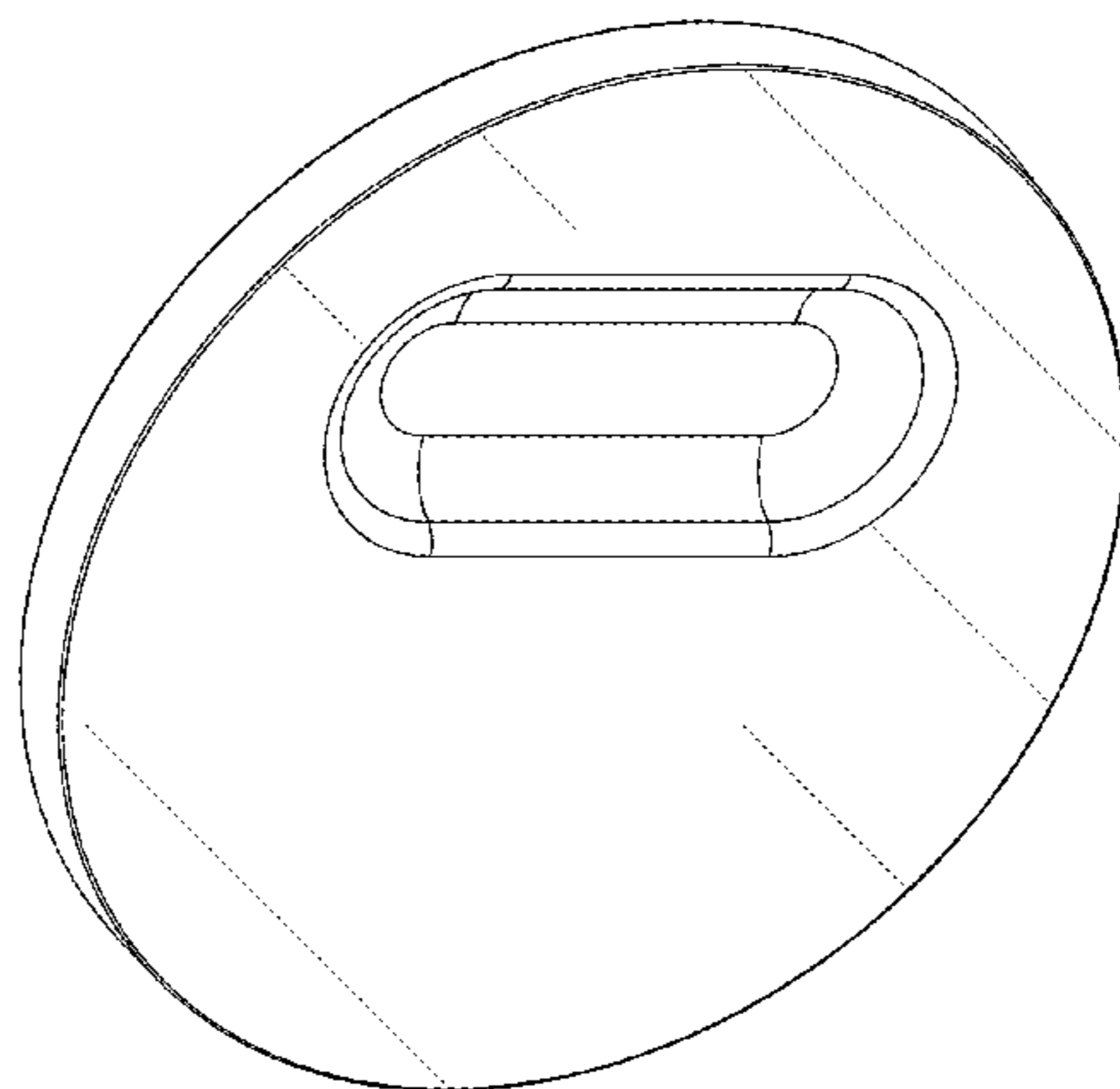
(57) **CLAIM**

The ornamental design for a tray for making and serving rolled foods, as shown and described.

DESCRIPTION

FIG. 1 is a top isometric view of the tray for making and serving rolled foods;
FIG. 2 is a bottom isometric view thereof;
FIG. 3 is a top view thereof;
FIG. 4 is a bottom view thereof;
FIG. 5 is a left side elevational view thereof;
FIG. 6 is a right side elevational view thereof;
FIG. 7 is a cross sectional view thereof taken along line 7-7 in FIG. 3;
FIG. 8 is a front elevational view thereof; and,
FIG. 9 is a rear elevational view thereof.

1 Claim, 6 Drawing Sheets



(56)

References Cited

U.S. PATENT DOCUMENTS

D734,170 S	*	7/2015	Harper	D9/756
D749,380 S	*	2/2016	Choi	D7/701
D793,856 S	*	8/2017	Akana	D9/425
D801,169 S	*	10/2017	Mack	D9/415
D804,542 S	*	12/2017	Davison, III	D15/90

* cited by examiner

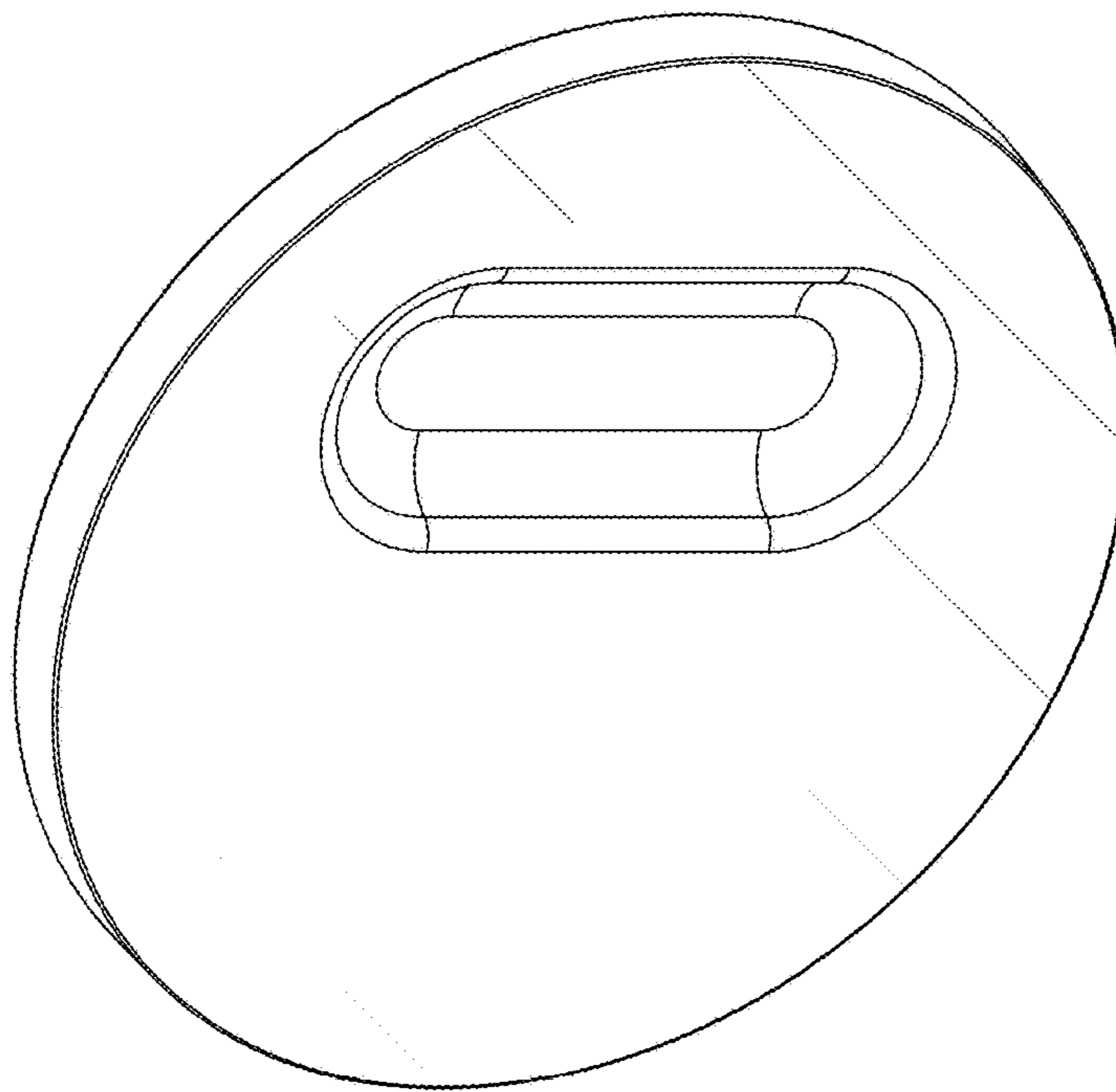


FIG. 1

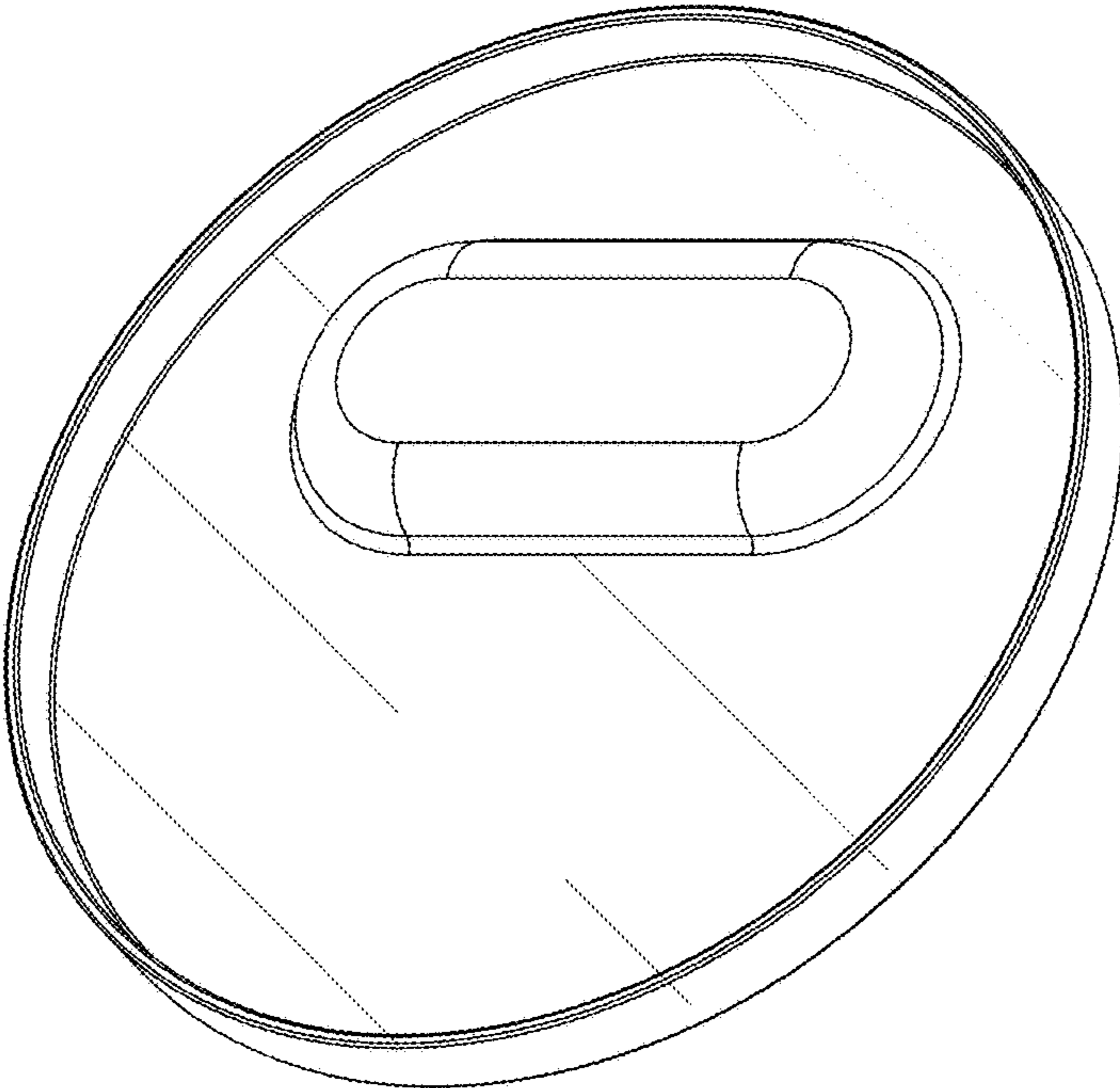


FIG. 2

Replacement Sheet

3/6

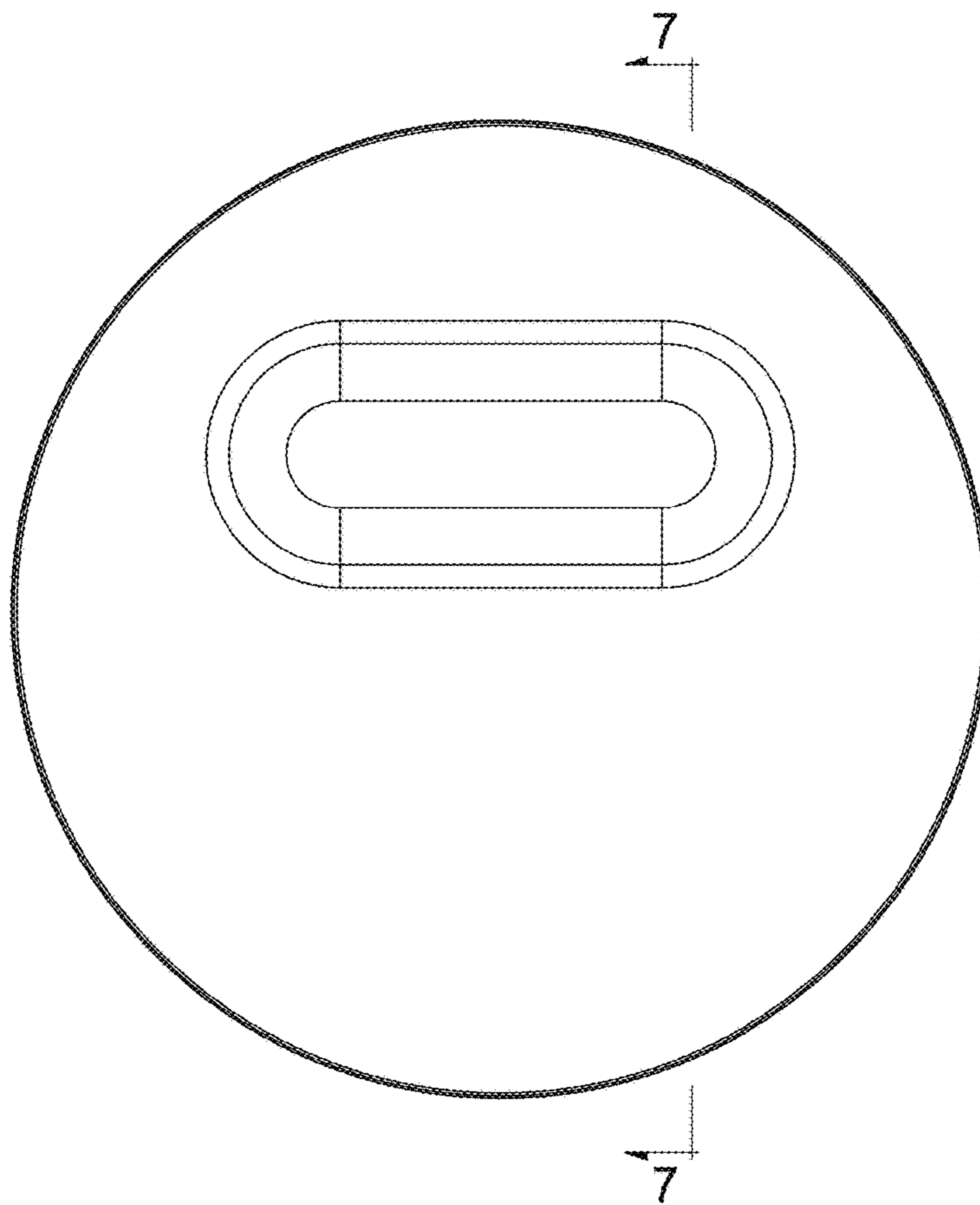


FIG. 3

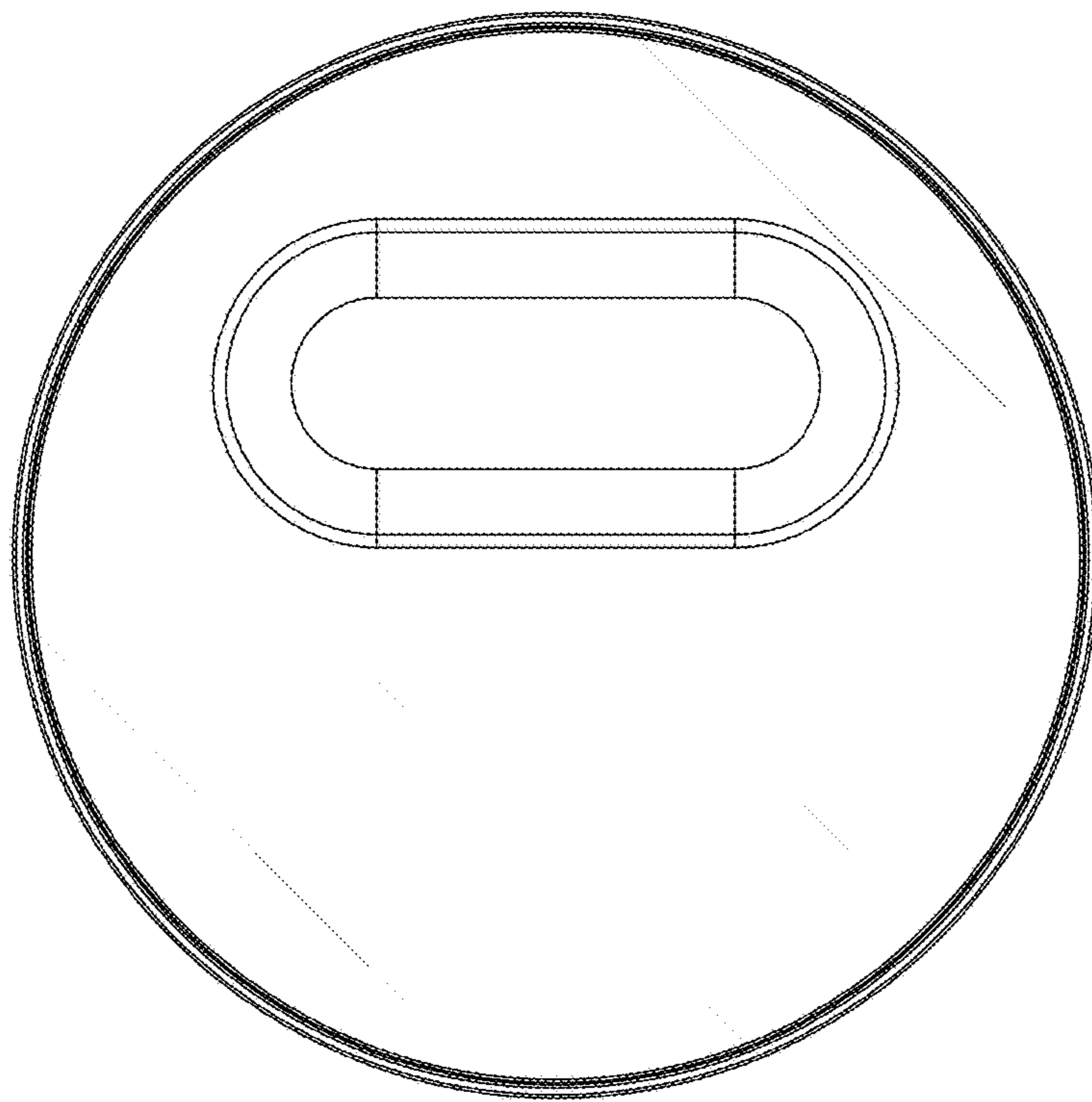


FIG. 4

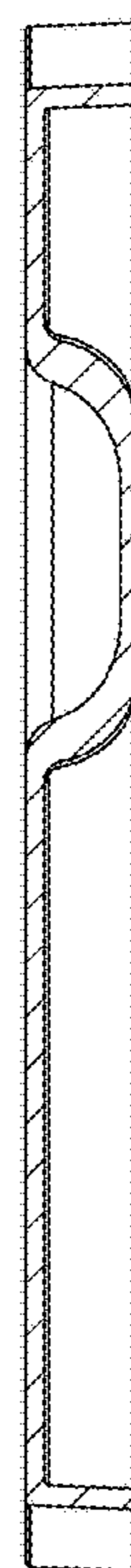
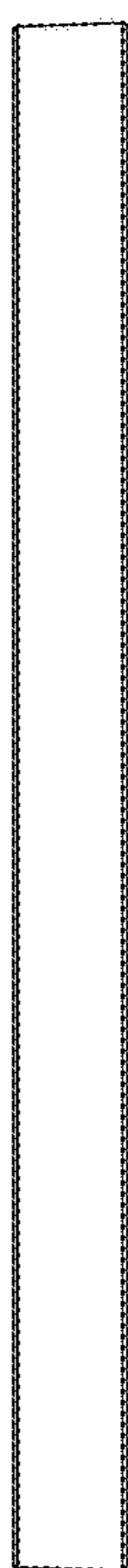
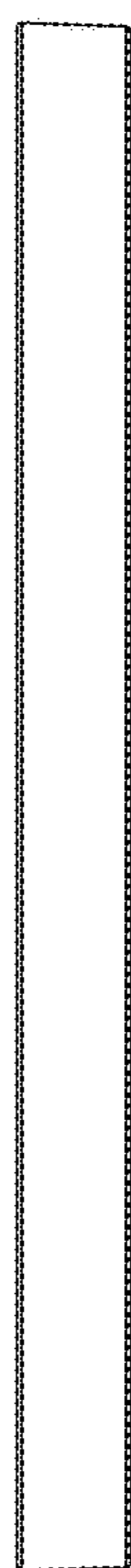


FIG. 5

FIG. 6

FIG. 7



FIG. 8



FIG. 9