



US00D853796S

(12) **United States Design Patent**  
**Collinet**

(10) **Patent No.:** **US D853,796 S**

(45) **Date of Patent:** **\*\* Jul. 16, 2019**

(54) **CONTAINER**

(71) Applicant: **Societe des Produits Nestlé S.A.,**  
Vevey (CH)

(72) Inventor: **Louis Collinet,** Levallois-Perret (FR)

(73) Assignee: **Société des Produits Nestlé S.A.,**  
Vevey (CH)

(\*\*) Term: **15 Years**

(21) Appl. No.: **29/578,583**

(22) Filed: **Sep. 22, 2016**

(30) **Foreign Application Priority Data**

Mar. 23, 2016 (CH) ..... 142190

(51) **LOC (11) Cl.** ..... **07-07**

(52) **U.S. Cl.**  
USPC ..... **D7/602**

(58) **Field of Classification Search**

USPC ..... D7/602, 605–607, 619.1, 629–630;  
D9/500–504, 529, 763, 772, 776, 432,  
D9/567–568, 571, 770; 206/139–144,  
206/216–217, 528–529, 537, 540, 549;  
D28/83, 85, 91.1

CPC ..... B65D 81/24; B65D 2501/0081; B65D  
65/18; A47G 23/04; A47J 41/00

See application file for complete search history.

(56) **References Cited**

**U.S. PATENT DOCUMENTS**

D202,133 S \* 8/1965 Marchant ..... D9/424  
3,252,492 A \* 5/1966 Marchant ..... B65D 47/0885  
215/10  
D257,764 S \* 1/1981 Tajima ..... D9/529  
D306,933 S \* 4/1990 Holewinski ..... D9/529  
D323,982 S \* 2/1992 Geiger ..... D9/529  
D341,315 S \* 11/1993 Seymour ..... D9/529

D372,672 S \* 8/1996 Ishimoto ..... D9/770  
D419,432 S \* 1/2000 Evans ..... D9/529  
D430,035 S \* 8/2000 Heeter ..... D9/529  
D462,144 S \* 8/2002 Gaydon ..... D28/76  
D480,561 S \* 10/2003 Simon ..... D3/294  
D499,341 S \* 12/2004 Lovison ..... D9/529  
D512,319 S \* 12/2005 Boyd ..... D9/414  
D529,661 S \* 10/2006 Schmidt ..... D28/73  
D574,249 S \* 8/2008 Seum ..... D9/529  
D578,407 S \* 10/2008 Chewning ..... D9/559  
D590,720 S \* 4/2009 Oates ..... D9/560  
D592,515 S \* 5/2009 Francis ..... D9/529  
D620,368 S \* 7/2010 Pedersen ..... D9/529  
D645,350 S \* 9/2011 Degeyter ..... D9/454  
D682,706 S \* 5/2013 Weil ..... D9/560  
D704,065 S \* 5/2014 de Lima Paschoal ..... D28/76  
D709,379 S \* 7/2014 Moretti ..... D9/529  
D718,106 S \* 11/2014 Lauzet ..... D8/33

(Continued)

*Primary Examiner* — Shannon W Morgan

*Assistant Examiner* — Altaira J Swangin

(74) *Attorney, Agent, or Firm* — Finnegan, Henderson,  
Farabow, Garrett & Dunner LLP

(57) **CLAIM**

The ornamental design for a container, as shown and described.

**DESCRIPTION**

FIG. 1 is a top, right, front perspective view of a container showing my new design;

FIG. 2 is a bottom, left, front perspective view thereof;

FIG. 3 is a front elevation view thereof;

FIG. 4 is a rear elevation view thereof;

FIG. 5 is a left side view thereof;

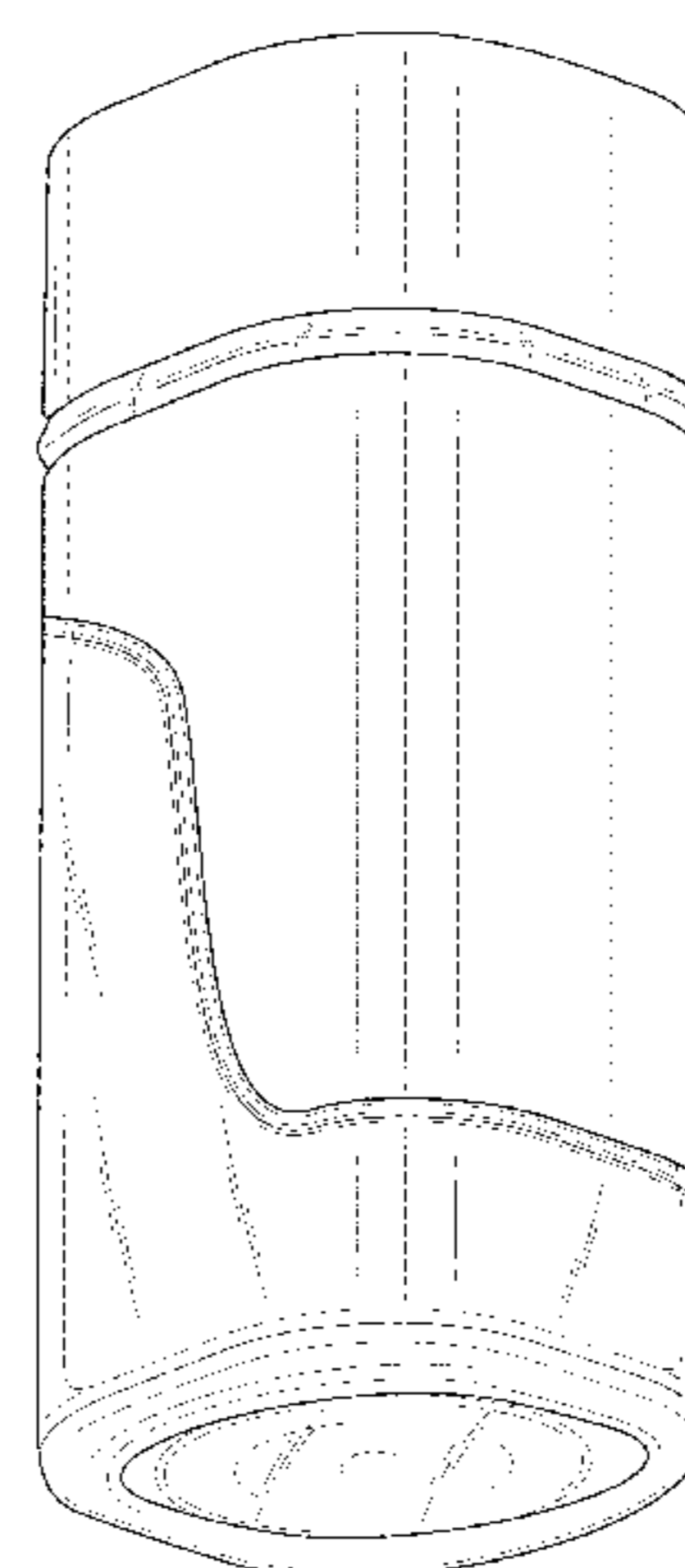
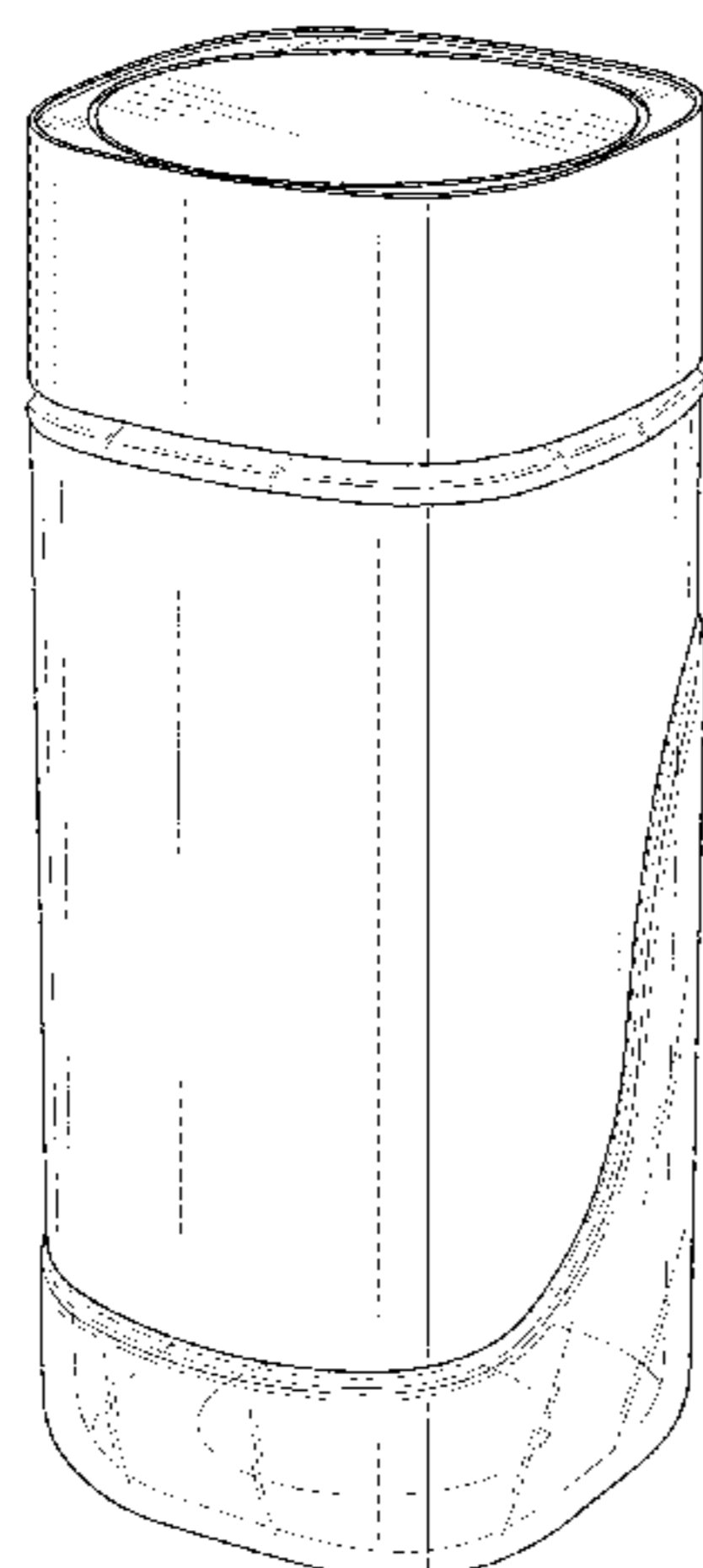
FIG. 6 is a right side view thereof;

FIG. 7 is a top plan view thereof; and,

FIG. 8 is a bottom view thereof.

Transparent portions of the container are illustrated using oblique line shading.

**1 Claim, 8 Drawing Sheets**



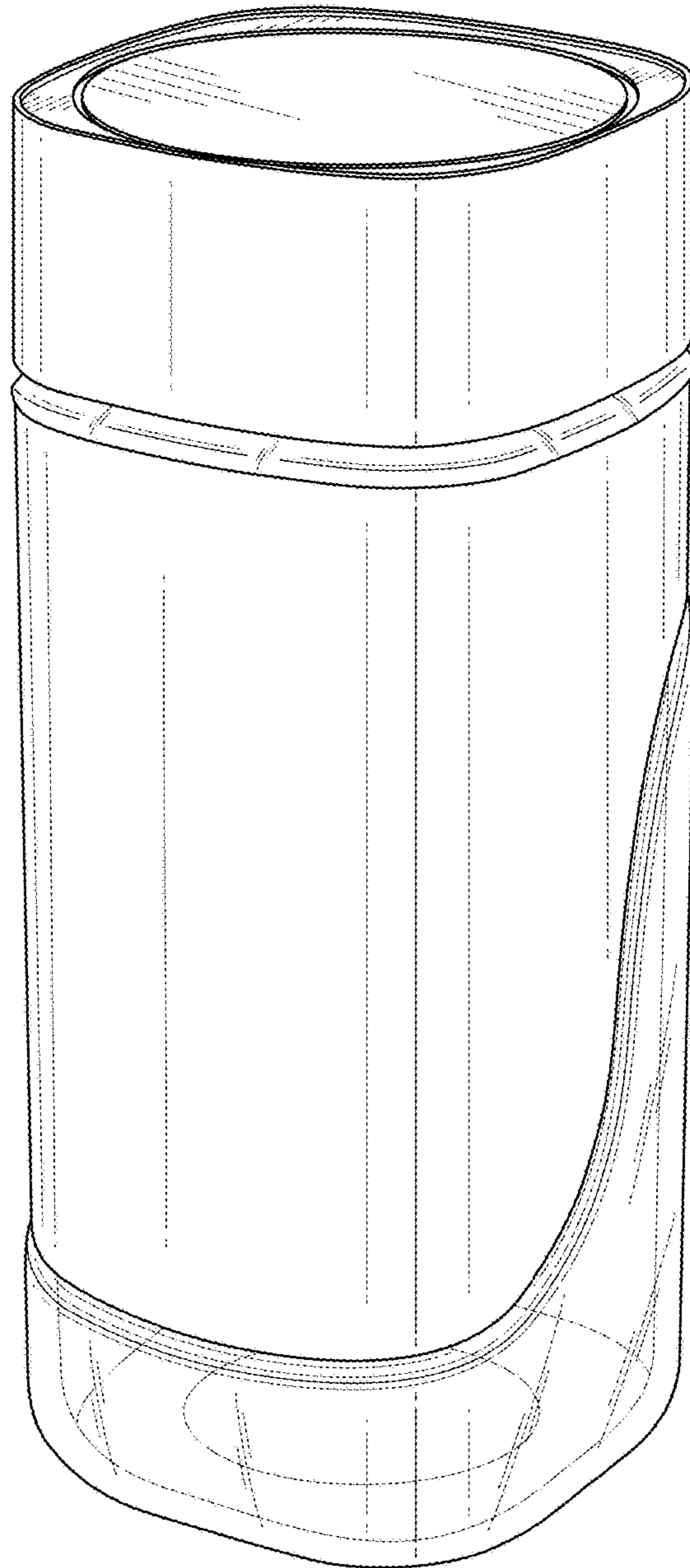
(56)

**References Cited**

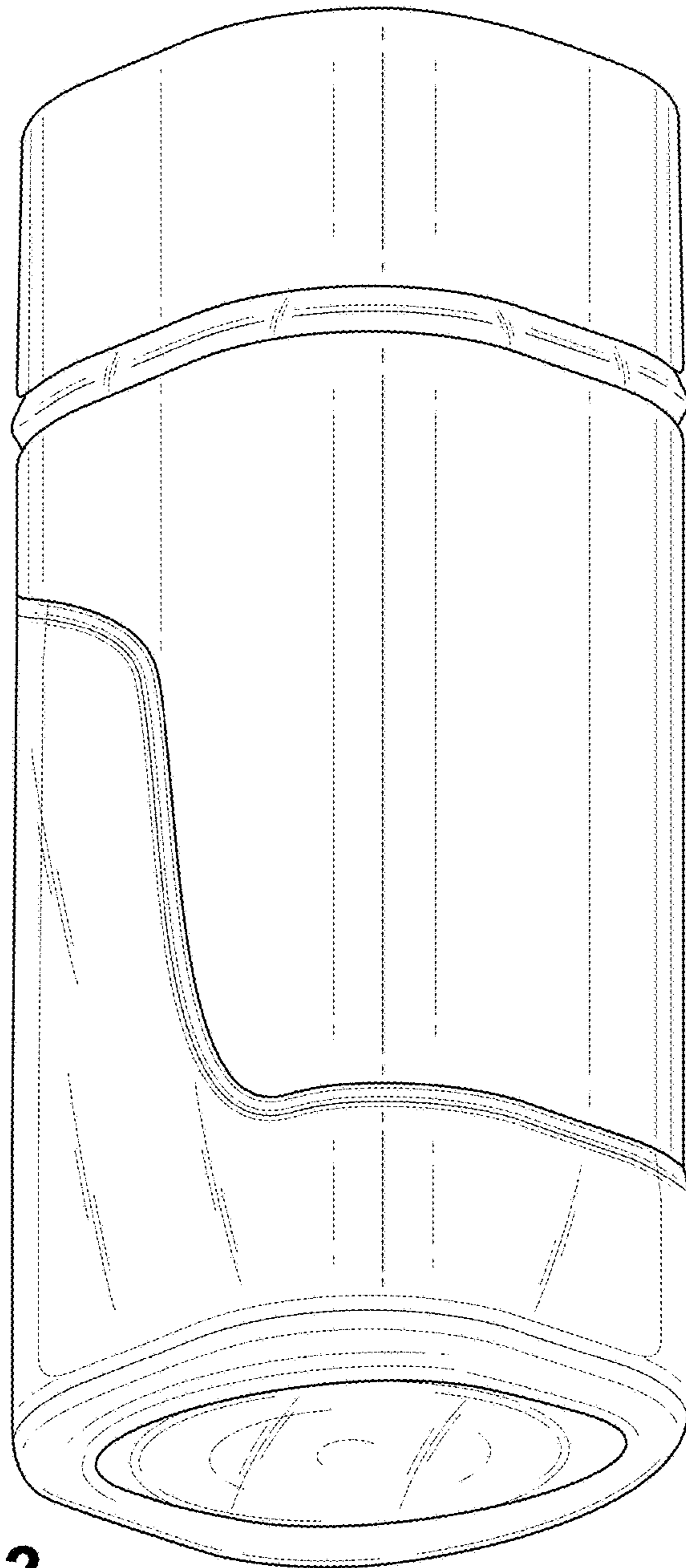
U.S. PATENT DOCUMENTS

D759,434 S *	6/2016	Duvigneau .....	D7/615
D770,296 S *	11/2016	Rothfos .....	D9/432
D777,037 S *	1/2017	Serafin .....	D9/435
D786,683 S *	5/2017	Miller .....	D9/529
D817,116 S *	5/2018	Evans .....	D7/629
D820,104 S *	6/2018	Miller .....	D9/560
D831,493 S *	10/2018	Daley .....	D9/560
2017/0057711 A1 *	3/2017	Miller .....	B65D 50/045

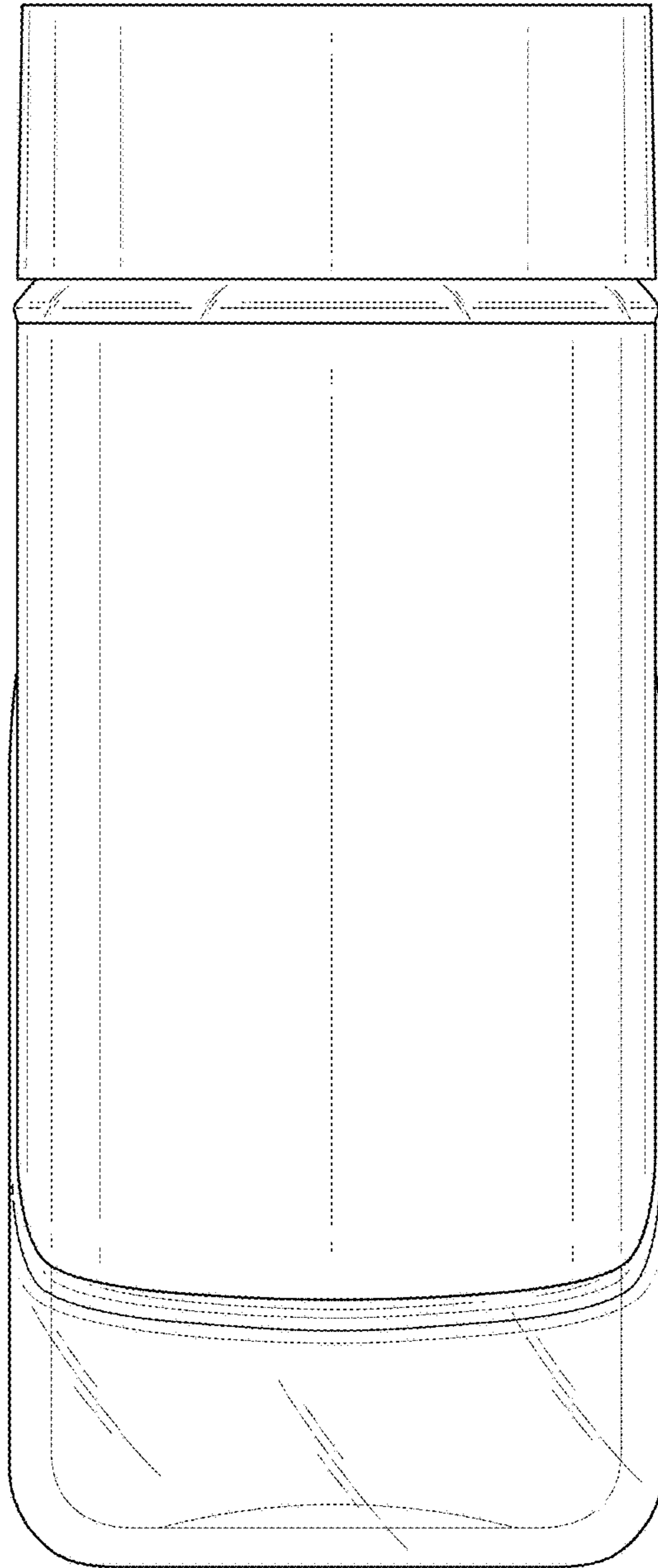
\* cited by examiner



**FIG. 1**

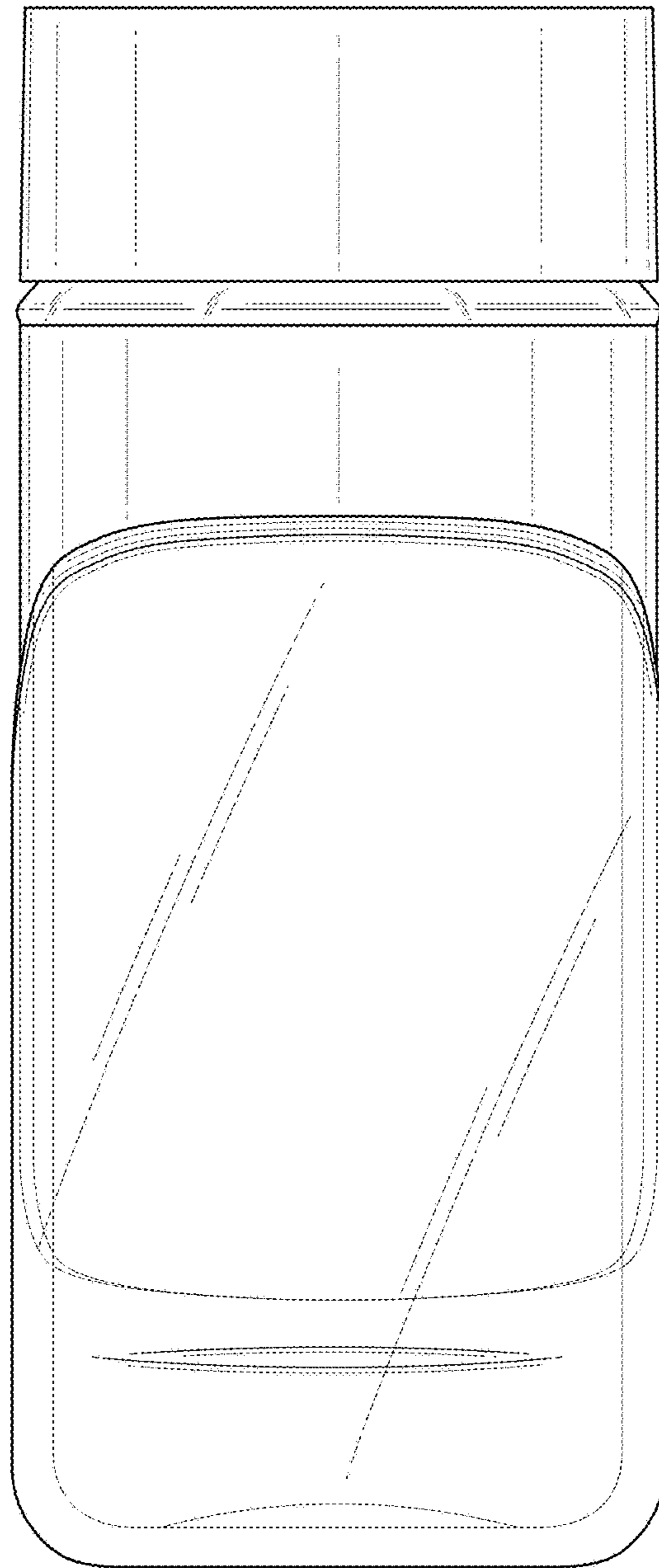


**FIG. 2**

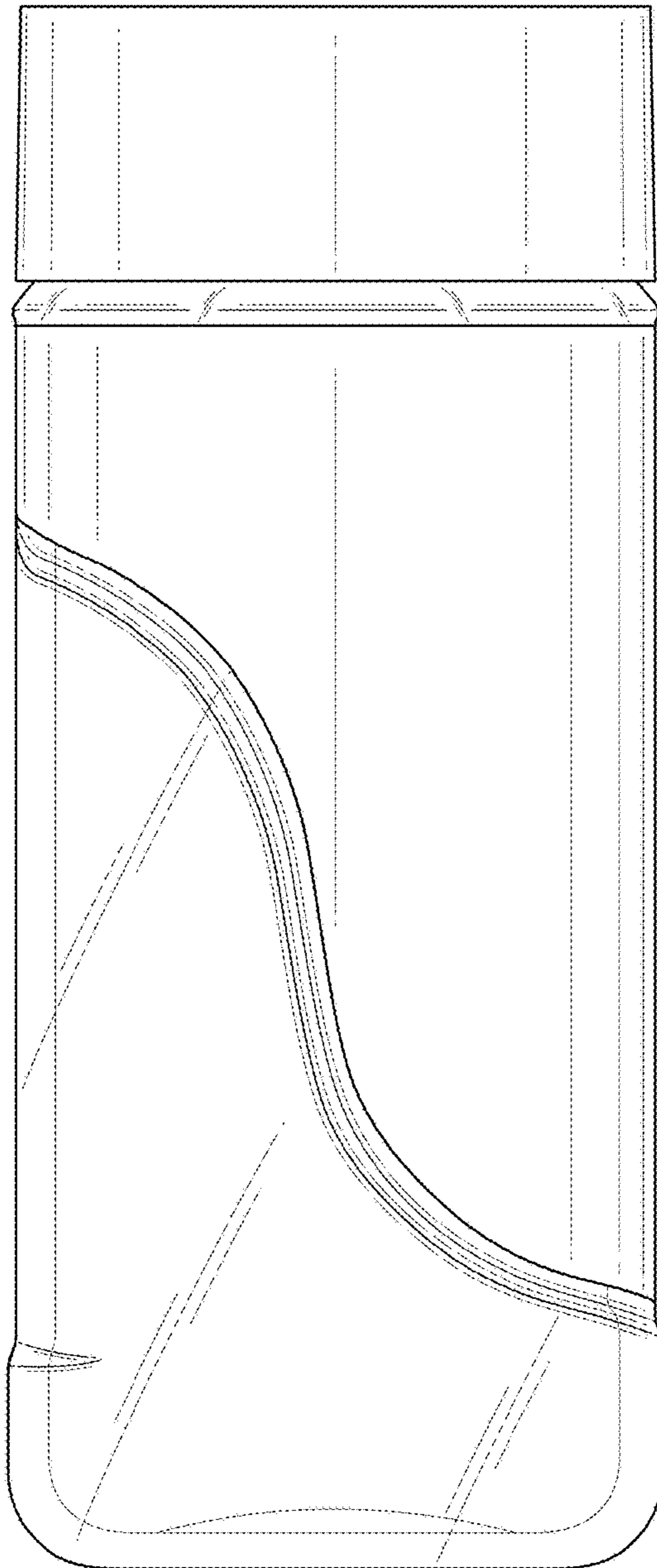


**FIG. 3**

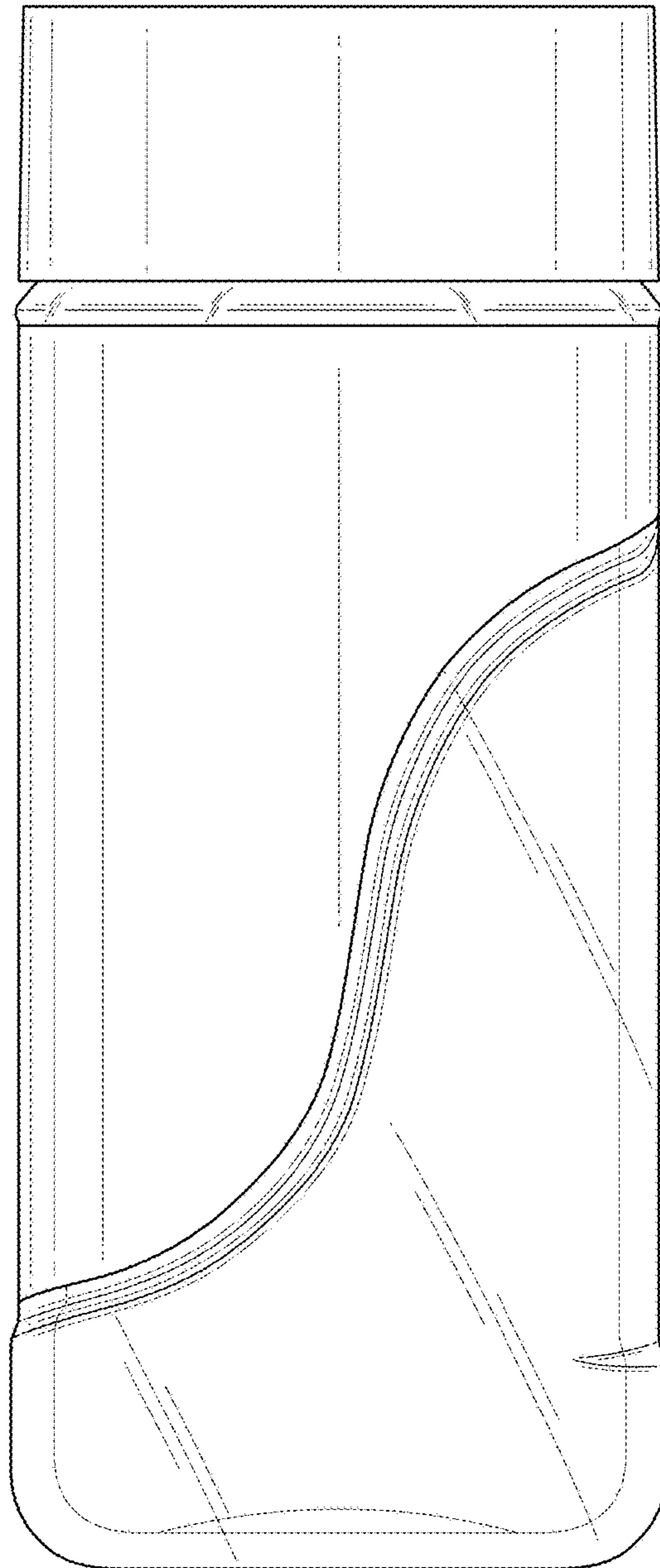




**FIG. 4**

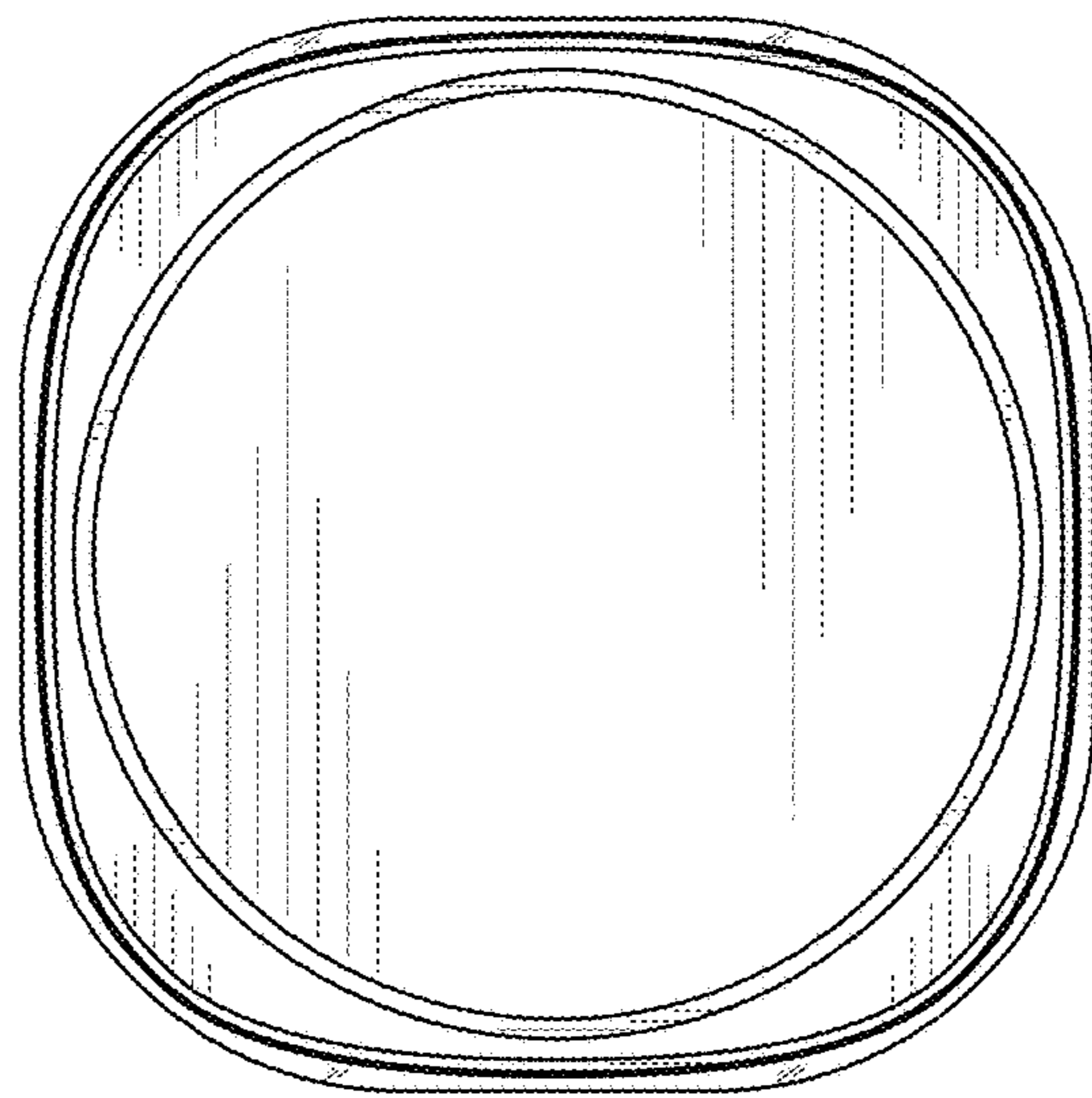


**FIG. 5**

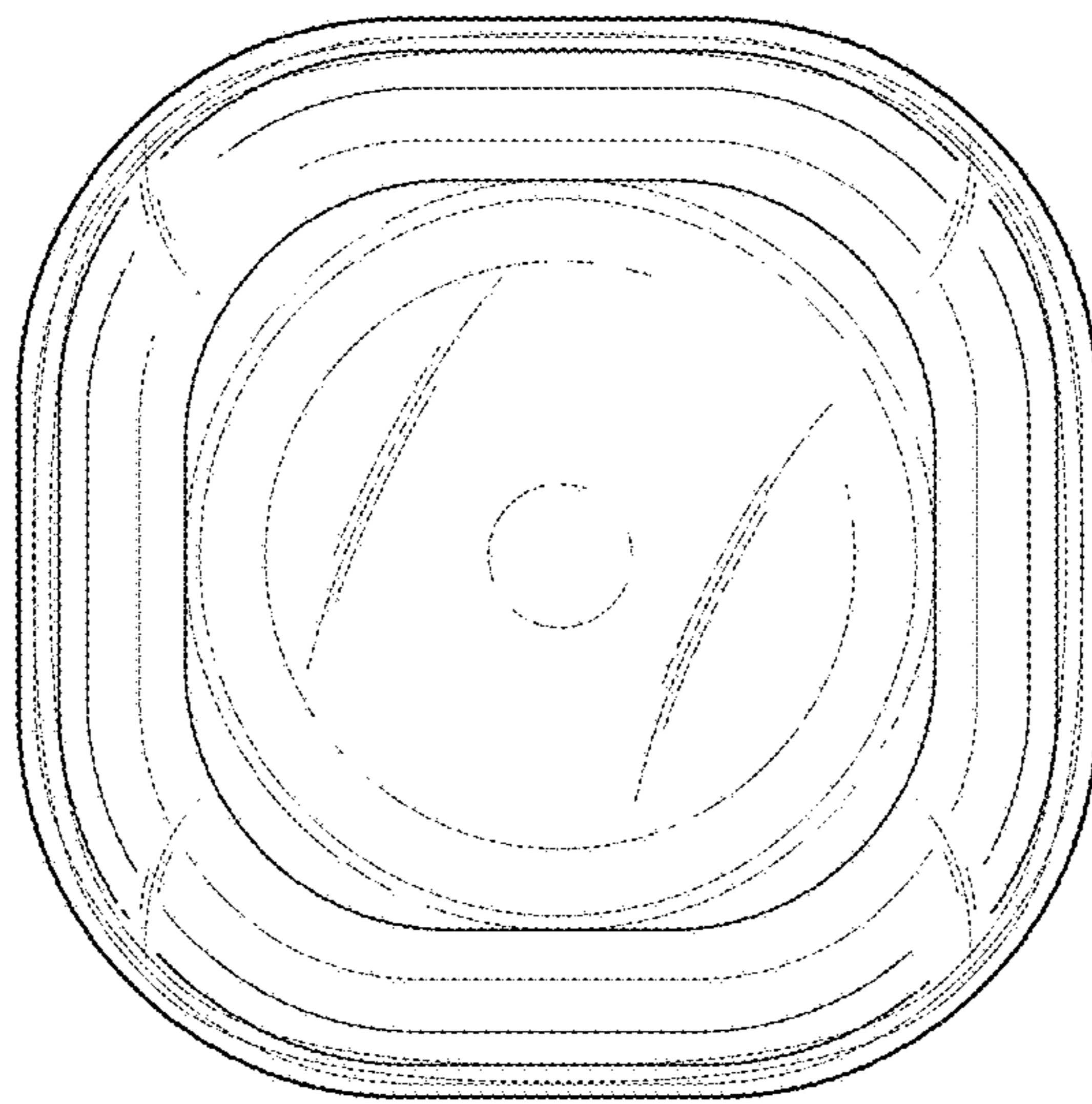


**FIG. 6**





**FIG. 7**



**FIG. 8**