



US00D853795S

(12) **United States Design Patent** (10) **Patent No.:** **US D853,795 S**
Bergeron et al. (45) **Date of Patent:** **** Jul. 16, 2019**

(54) **SAUSAGE/MEAT BALL TRAY**
(71) Applicant: **Tekni-Plex, Inc.**, Wayne, PA (US)
(72) Inventors: **Mark A. Bergeron**, Monroe, GA (US);
Babu Kuruvilla, Griffin, GA (US)
(73) Assignee: **Tekni-Plex, Inc.**, Wayne, PA (US)
(**) Term: **15 Years**
(21) Appl. No.: **29/606,838**

D628,450 S * 12/2010 Kulzer D7/553.2
D643,266 S * 8/2011 Kulzer D7/553.2
D673,392 S * 1/2013 Noppe D6/675.3
D684,276 S 6/2013 Hudson
D695,134 S 12/2013 Priebe
D708,763 S 7/2014 Smeja
D729,550 S 5/2015 Williams
D739,680 S 9/2015 Smeja
D750,975 S 3/2016 Prince
9,340,350 B2 * 5/2016 Kuruvilla B65D 85/32
9,382,056 B1 * 7/2016 Hanna B65D 81/28
D766,663 S * 9/2016 Bergeron D7/553.1

(Continued)

(22) Filed: **Jun. 8, 2017**
(51) **LOC (11) Cl.** **07-01**
(52) **U.S. Cl.**
USPC **D7/553.2**
(58) **Field of Classification Search**
USPC D7/550.1, 552.2, 553.1, 553.2, 553.5,
D7/554.3, 601-602, 397, 401.1; D9/415,
D9/418, 759-761
CPC B65D 1/243; B65D 2501/24019; B65D
2501/24165; B65D 11/18; B65D 85/30
See application file for complete search history.

OTHER PUBLICATIONS

Commodore Plastics (Bloomfield, NY) Sausage Ball Tray (Jan. 21, 2014); top, bottom, and side views.

Primary Examiner — Kelley A Donnelly
(74) *Attorney, Agent, or Firm* — Polsinelli PC

(57) **CLAIM**

The ornamental design for a sausage/meat ball tray, as shown and described.

(56) **References Cited**

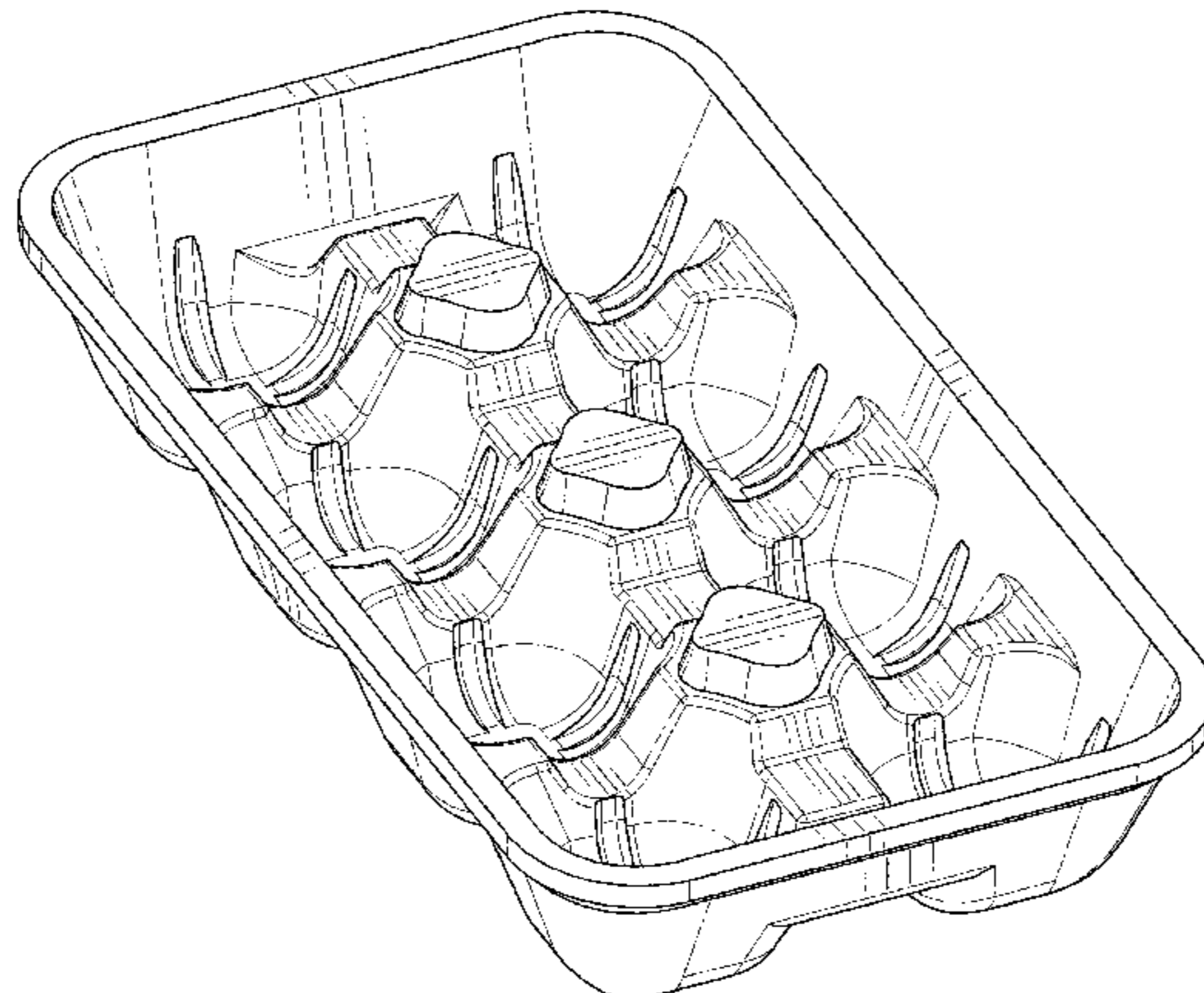
DESCRIPTION

U.S. PATENT DOCUMENTS

3,508,930 A 4/1970 Viesturs
D236,575 S 9/1975 Vigue
D331,008 S 11/1992 Vigue
5,335,814 A 8/1994 Hepp
D351,661 S 10/1994 Fischer
D384,275 S 9/1997 DuBois
D438,100 S 2/2001 Cekota
D463,977 S 10/2002 Castellanos
D488,027 S * 4/2004 Lin D7/505
D492,593 S 7/2004 Dutton
D514,452 S * 2/2006 Enriquez D9/759
D580,789 S * 11/2008 Larson D9/425
D592,077 S * 5/2009 Sipe D9/420
D606,422 S * 12/2009 Schmidt D3/313
D614,047 S 4/2010 Landry
D619,860 S * 7/2010 Kulzer D7/553.2

FIG. 1 is a top, front, right side perspective view of a sausage/meat ball tray according to a first embodiment of our new design;
FIG. 2 is a bottom perspective view thereof;
FIG. 3 is a front elevational view thereof;
FIG. 4 is a rear elevational view thereof;
FIG. 5 is a right side elevational view thereof;
FIG. 6 is a left side elevational view thereof;
FIG. 7 is a top plan view thereof;
FIG. 8 is a bottom plan view thereof; and,
FIG. 9 is a perspective view of a plurality of trays each covered with clear film and stacked on a front side for display.

1 Claim, 9 Drawing Sheets



(56)

References Cited

U.S. PATENT DOCUMENTS

D778,176 S * 2/2017 Long D9/757
D779,340 S * 2/2017 Liu D9/758
D786,021 S * 5/2017 Eby D7/553.6
D792,277 S * 7/2017 Davis D11/143
D793,252 S * 8/2017 Prince D9/755
D798,740 S * 10/2017 Lee D9/758
D804,324 S * 12/2017 Tayara D9/757
D826,644 S * 8/2018 Bergeron D7/553.1
2013/0183412 A1* 7/2013 Ramirez B65D 77/0413
426/119
2014/0197064 A1* 7/2014 Prince B65B 5/068
206/501
2017/0275903 A1* 9/2017 Gilpin E04G 15/00

* cited by examiner

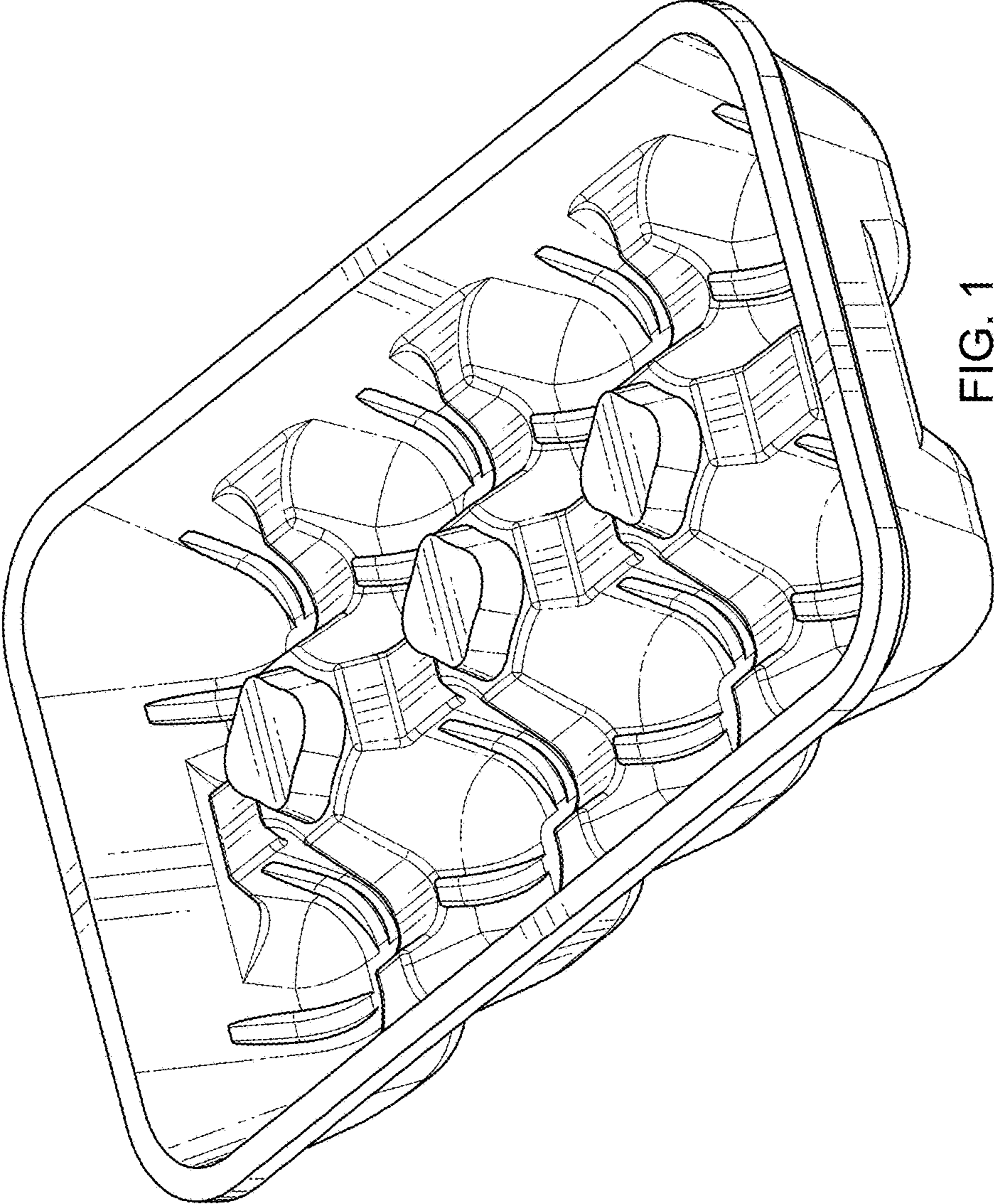


FIG. 1

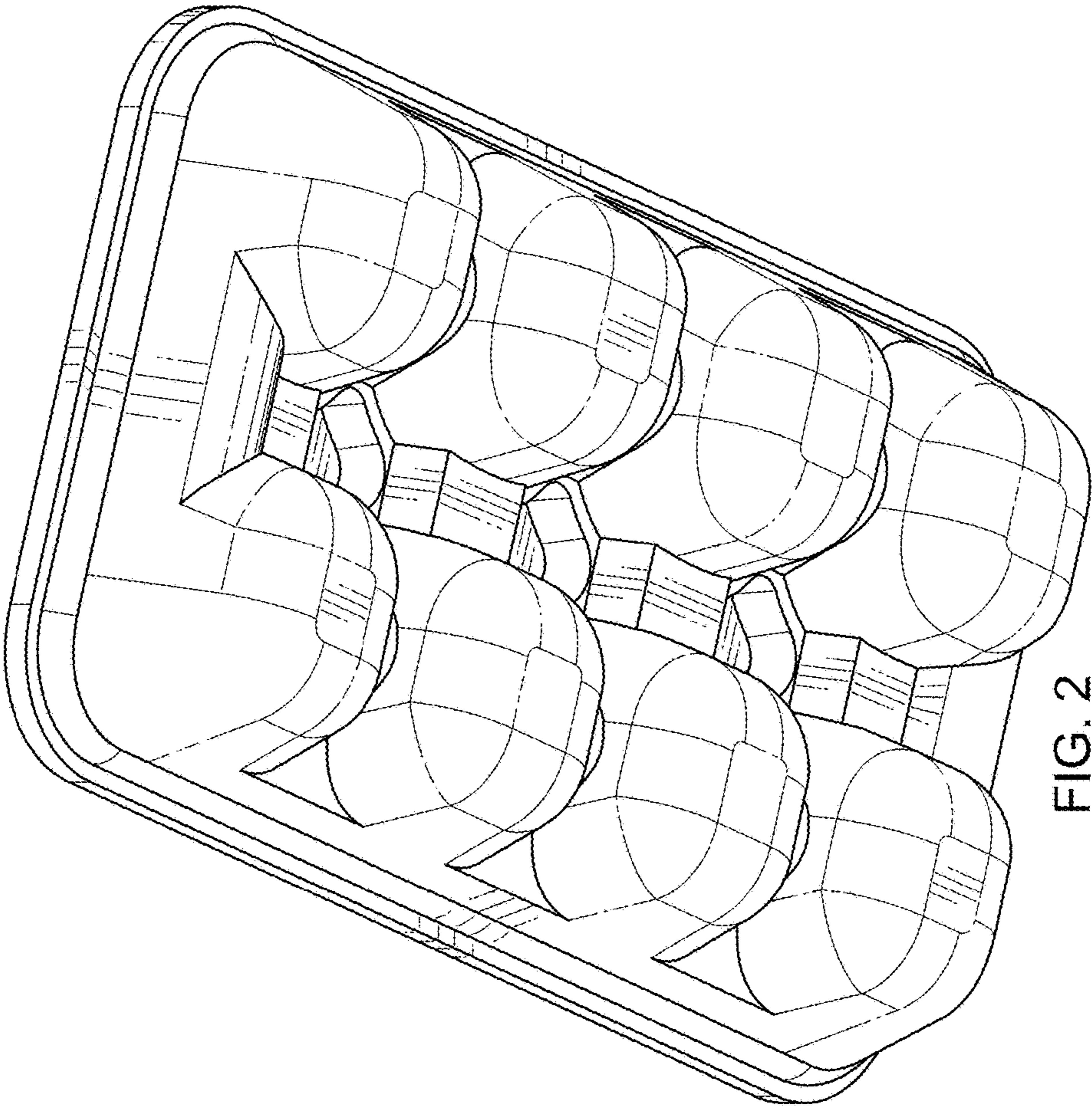


FIG. 2

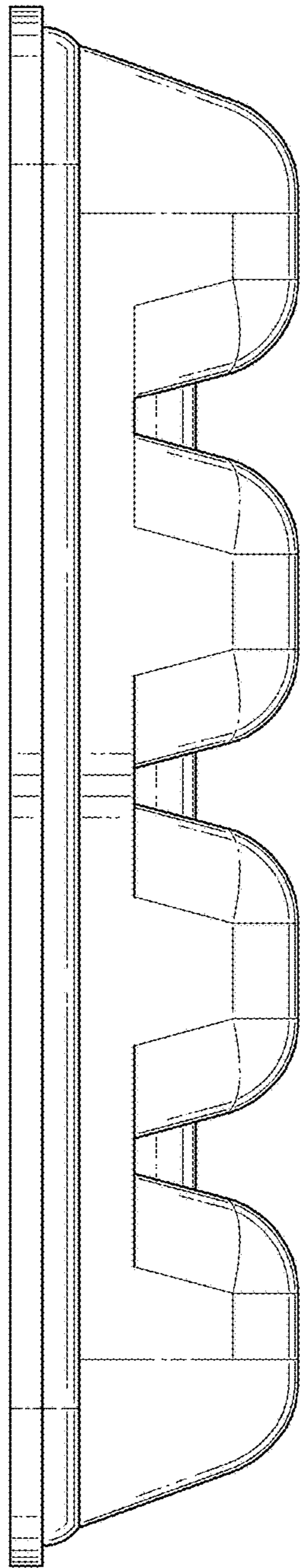


FIG. 3

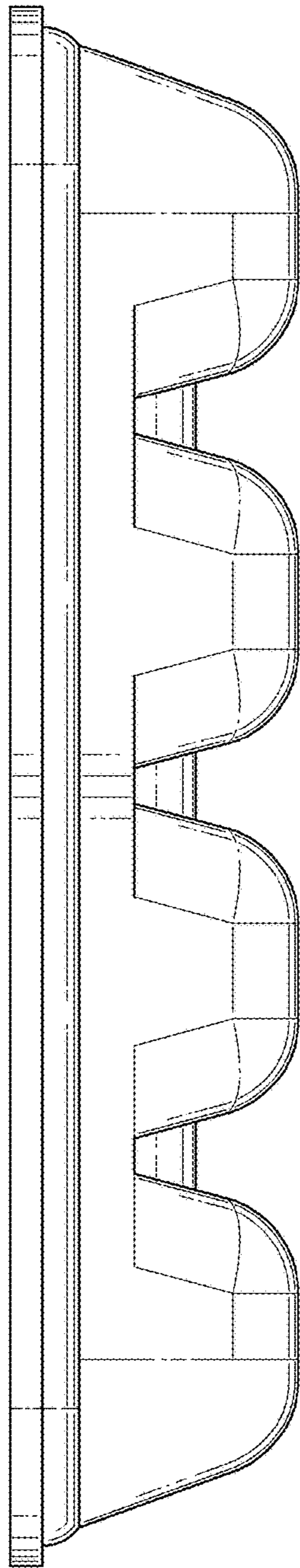


FIG. 4

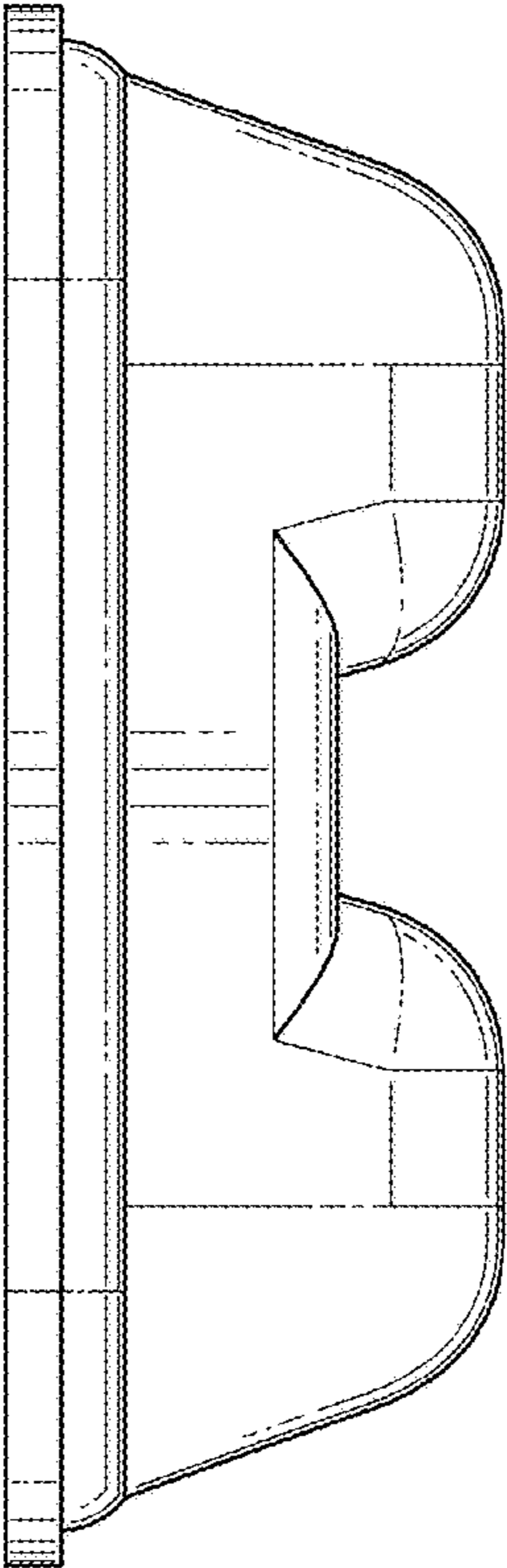


FIG. 5

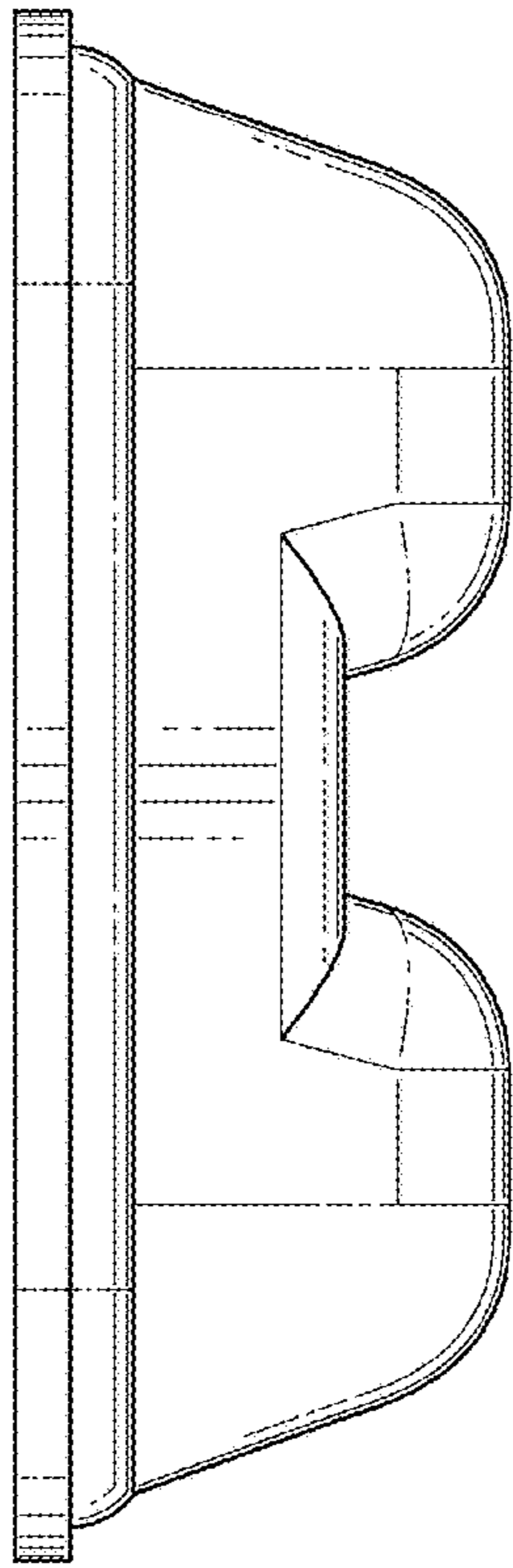


FIG. 6

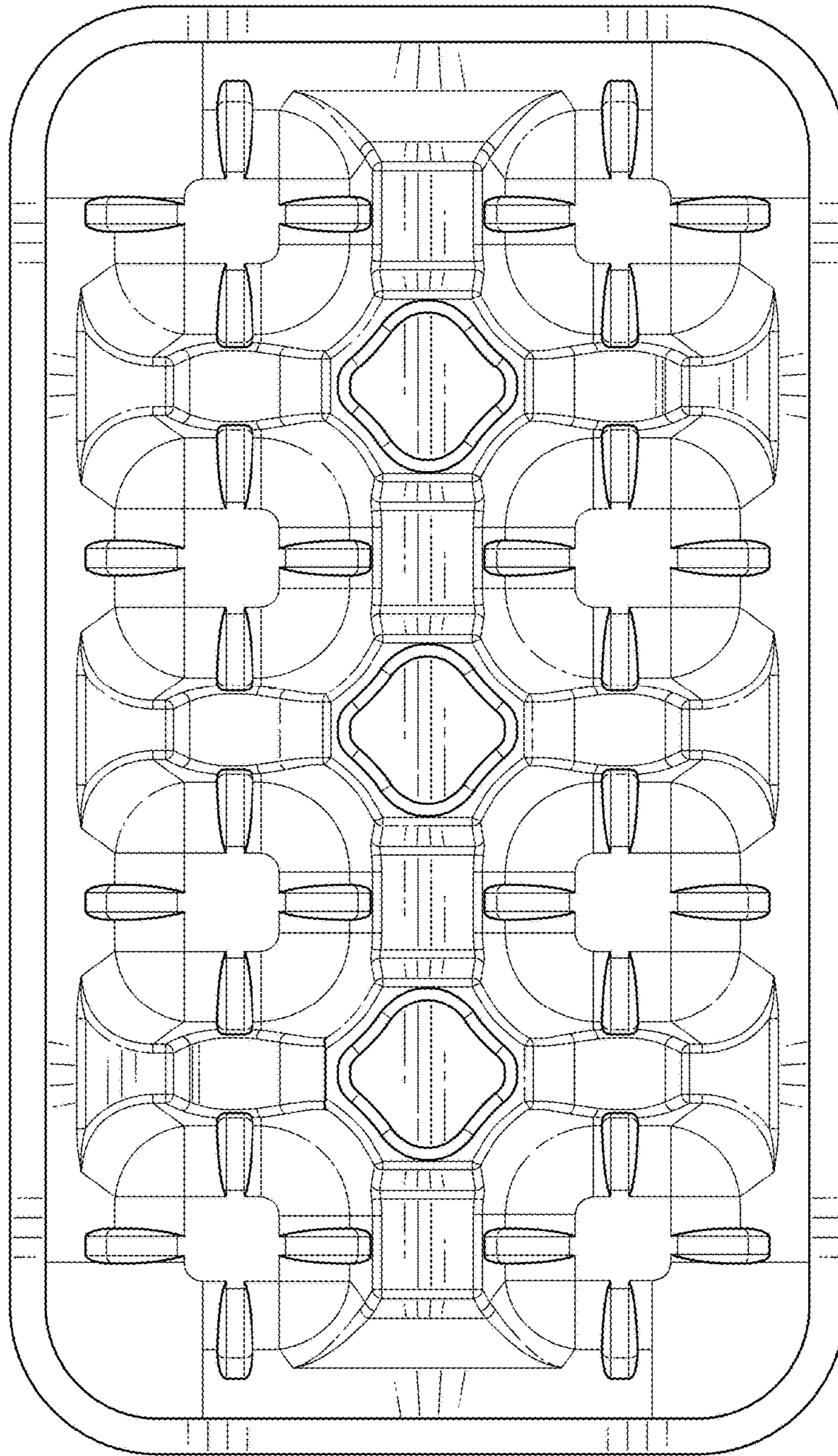


FIG. 7

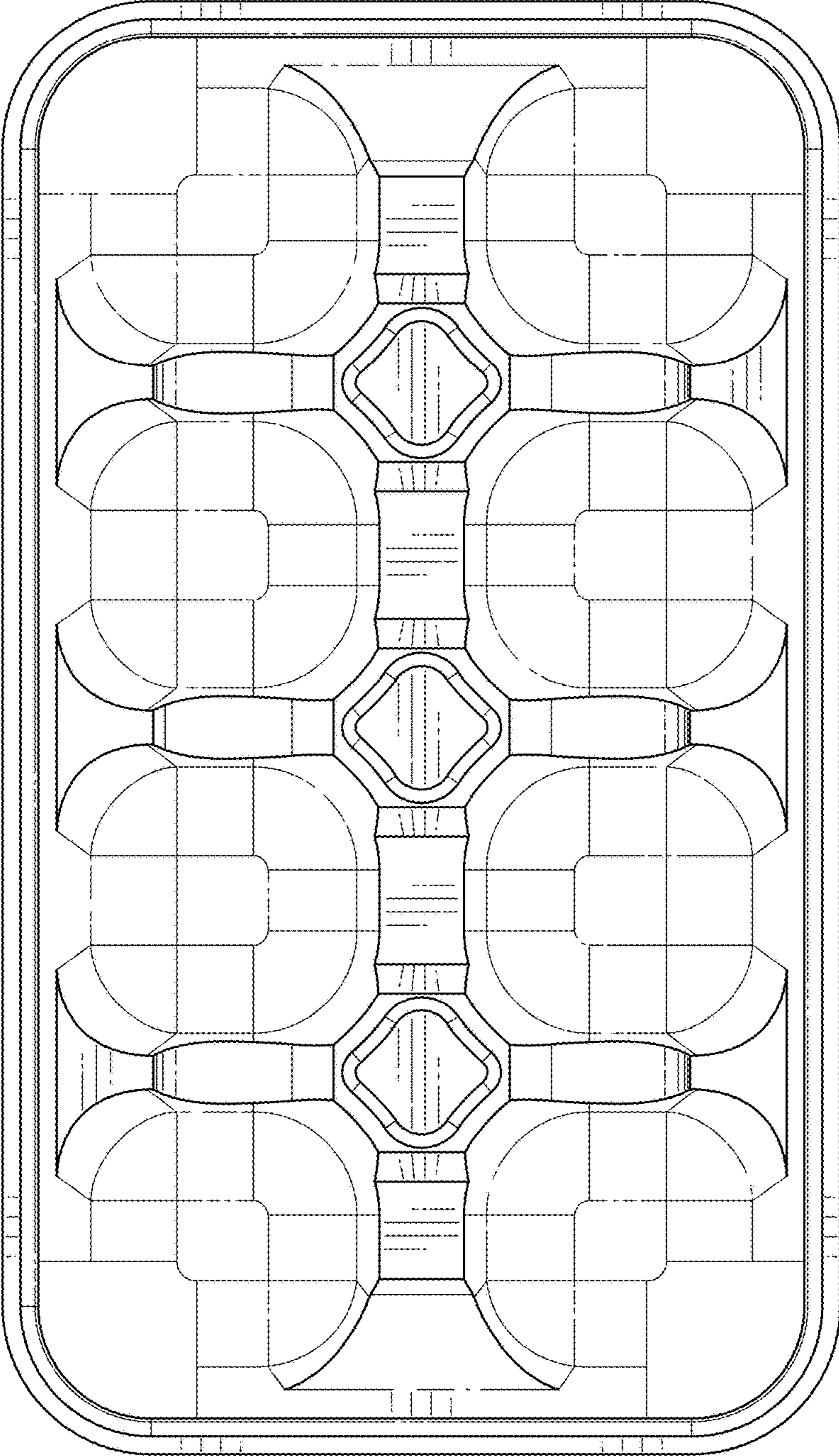


FIG. 8

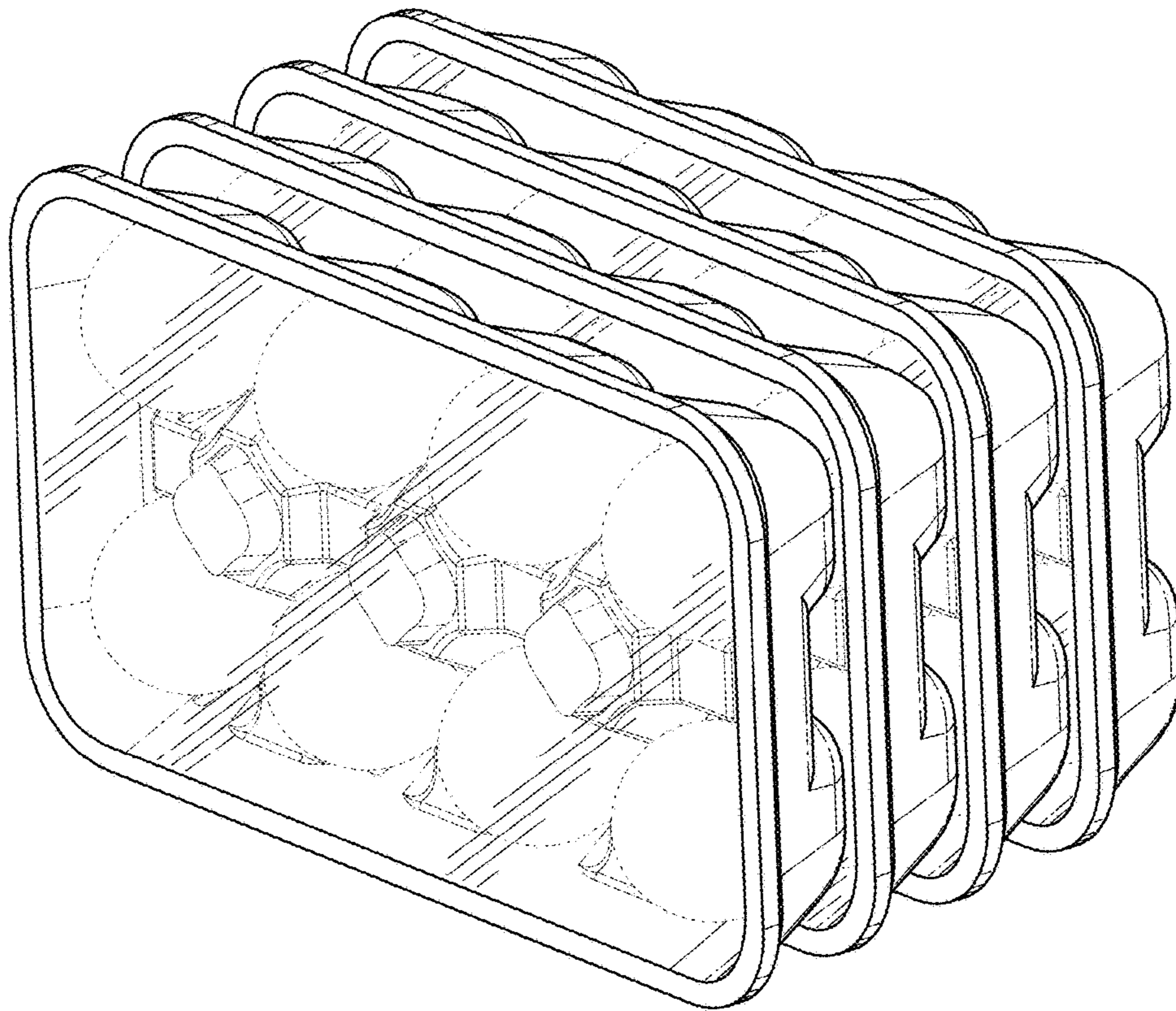


FIG. 9