



US00D853790S

(12) **United States Design Patent**
Palin et al.

(10) **Patent No.:** **US D853,790 S**
(45) **Date of Patent:** **** Jul. 16, 2019**

(54) **BOTTLE**

(71) Applicant: **PepsiCo, Inc.**, Purchase, NY (US)

(72) Inventors: **Drew Alexander Read Palin**,
Kenilworth, IL (US); **Sean Joseph Huls**,
Chicago, IL (US); **Brandon Scott Rhodes**,
Chicago, IL (US); **Xavi Cortadellas**,
Miami Beach, FL (US); **Tucker Fort**,
Brooklyn, NY (US); **Laura Sink**,
Brooklyn, NY (US); **Alexander Ian James Wastney**,
Brooklyn, NY (US); **John Lester Ostby**,
Seattle, WA (US); **Matthew Schmunk**,
Portland, OR (US)

(73) Assignee: **PepsiCo, Inc.**, Purchase, NY (US)

(**) Term: **15 Years**

(21) Appl. No.: **29/609,844**

(22) Filed: **Jul. 6, 2017**

Related U.S. Application Data

(63) Continuation of application No. 29/584,894, filed on Nov. 18, 2016, now Pat. No. Des. 794,391, which is a continuation of application No. 29/535,914, filed on Aug. 11, 2015, now Pat. No. Des. 774,357.

(51) **LOC (11) Cl.** **07-01**

(52) **U.S. Cl.**
USPC **D7/510**; D7/396.2; D7/392.1; D9/436

(58) **Field of Classification Search**
USPC D7/507-512, 523, 529-533, 536, 300,
D7/300.1, 591, 608, 629, 630, 400, 624.1,
D7/624.2, 395, 396.2, 393, 396.4, 392.1;
D9/500, 501, 502, 522, 556, 567, 569,
D9/571, 554, 776, 763, 767, 772, 432,
D9/429, 702, 710, 707, 503, 504, 447,
D9/449, 436; D8/90, 93, 321, 107;
220/592.16, 592.17, 592.12, 592.14,

220/592.15, 62.12, 62.13, 669, 751;
215/387, 18, 42; D3/201, 202, 314;
D30/127; D5/53, 47, 58, 61, 2, 4
CPC A47G 19/22; A47G 19/2227; A47G 19/02;
A47G 19/025; A47G 19/2288; Y10S
220/903

See application file for complete search history.

(56) **References Cited**

U.S. PATENT DOCUMENTS

D367,006 S *	2/1996	Schauer	D24/199
D408,221 S	4/1999	Asberg		
D445,335 S *	7/2001	Hou	D9/436
D577,287 S *	9/2008	Haltom, III	D9/436
D584,107 S	1/2009	George		
D598,706 S	8/2009	Neace et al.		
8,051,674 B2	11/2011	Roth et al.		

(Continued)

Primary Examiner — Marianne N Pandozzi

Assistant Examiner — Jae Liang

(74) *Attorney, Agent, or Firm* — Sterne, Kessler,
Goldstein & Fox P.L.L.C.

(57) **CLAIM**

The ornamental design for a bottle, as shown and described.

DESCRIPTION

FIG. 1 is a top front perspective view of a bottle showing the claimed design;

FIG. 2 is a bottom front perspective view thereof;

FIG. 3 is a front view thereof;

FIG. 4 is a rear view thereof;

FIG. 5 is a left side view thereof;

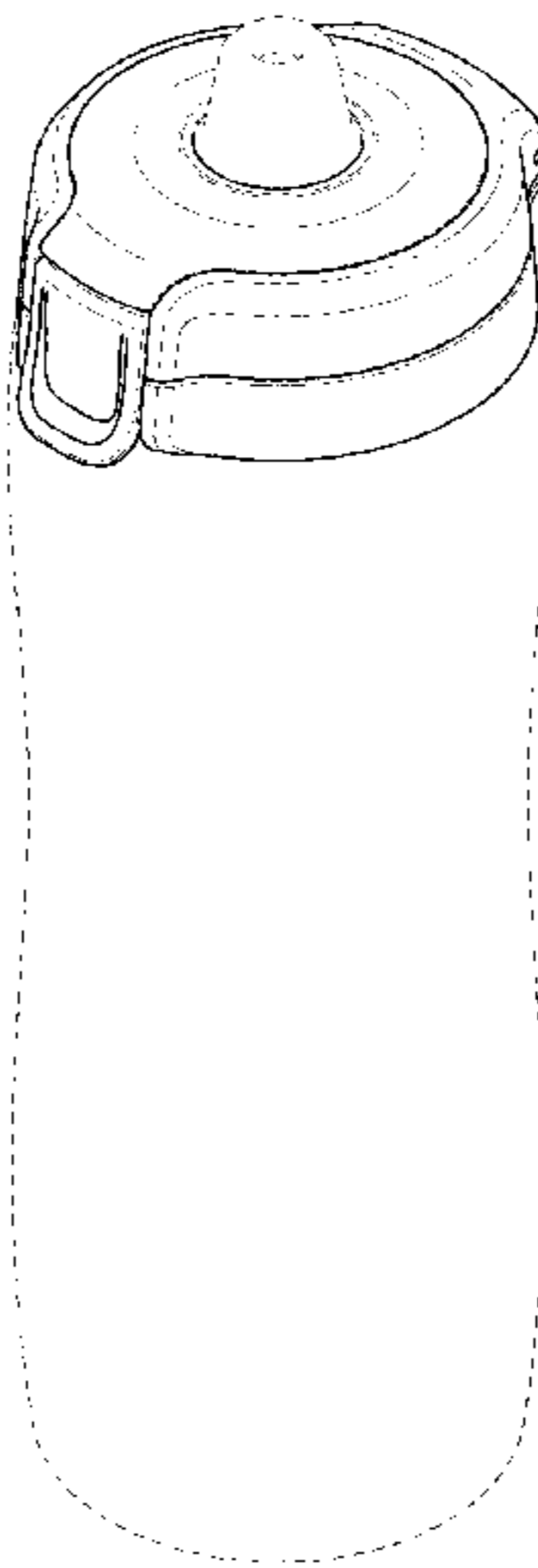
FIG. 6 is a right side view thereof;

FIG. 7 is a top view thereof; and,

FIG. 8 is a bottom view thereof.

The broken lines in the figures show portions of the bottle that form no part of the claimed design.

1 Claim, 7 Drawing Sheets



(56)

References Cited

U.S. PATENT DOCUMENTS

D655,569	S	3/2012	Lipson	
D657,194	S	4/2012	McIntire et al.	
D658,058	S *	4/2012	Sanges	D9/436
D667,265	S	9/2012	George	
D674,279	S	1/2013	Lembke et al.	
D679,597	S	4/2013	Tamarindo	
D686,918	S	7/2013	Lembke et al.	
D734,985	S	7/2015	Furia	
D735,038	S	7/2015	Tamarindo	
D736,562	S	8/2015	Green et al.	
D752,435	S	3/2016	Willows et al.	
D760,027	S	6/2016	Meyers et al.	
D769,715	S *	10/2016	Bois	D9/449
D771,435	S	11/2016	Cutuli et al.	
D774,351	S *	12/2016	Breit	D7/394
D794,455	S *	8/2017	Rummel	D9/449
D835,939	S *	12/2018	Yee	D7/392.1
D838,592	S *	1/2019	Henderson	D9/449
2014/0144870	A1	5/2014	Brosius	
2016/0167840	A1 *	6/2016	Kleppsch	B65D 41/04 215/251
2016/0200486	A1	7/2016	Meyers et al.	

* cited by examiner

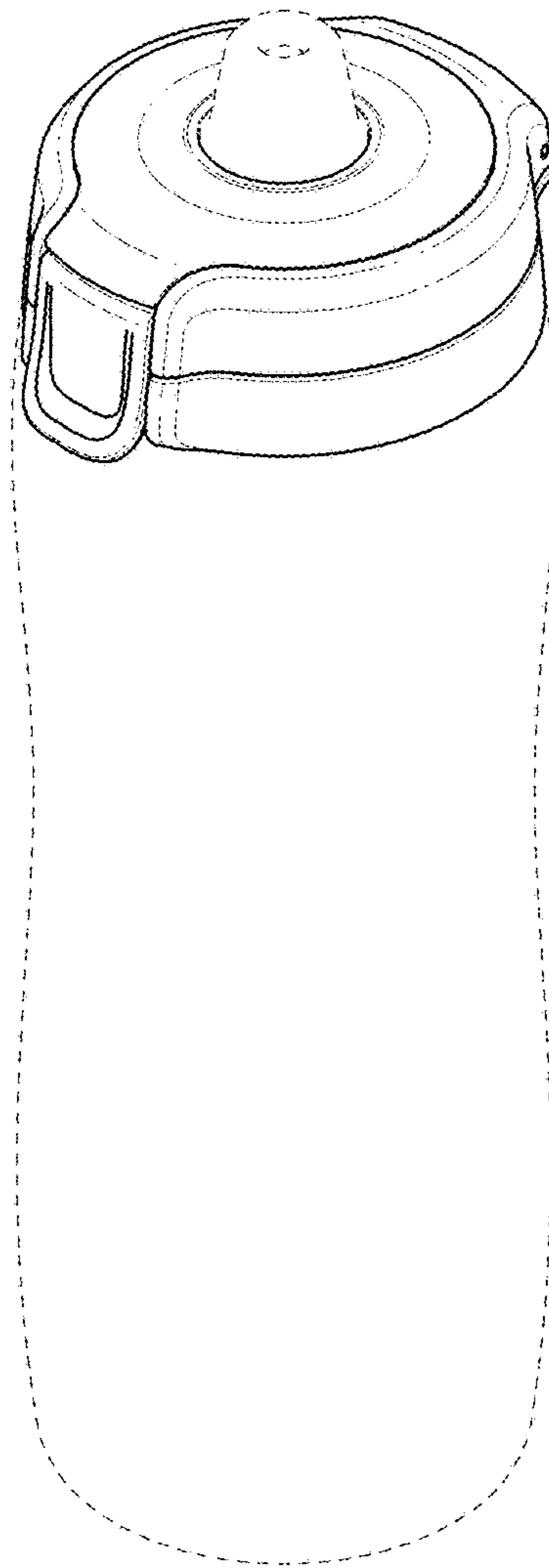


FIG. 1

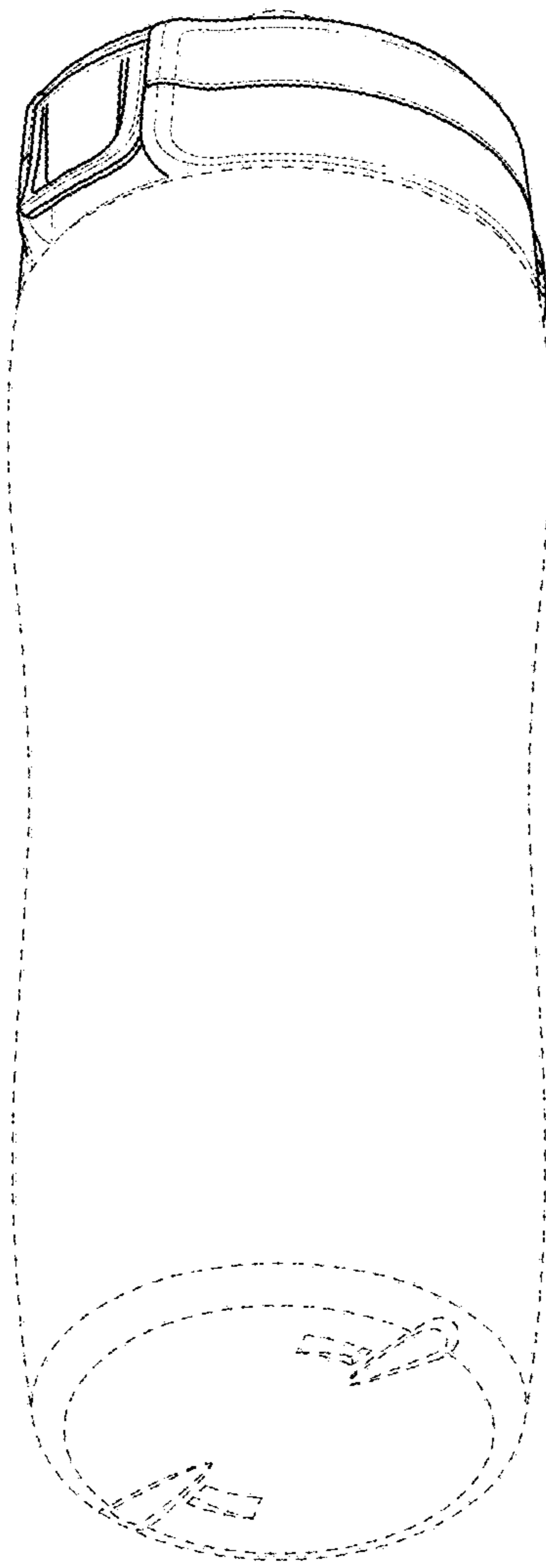


FIG. 2

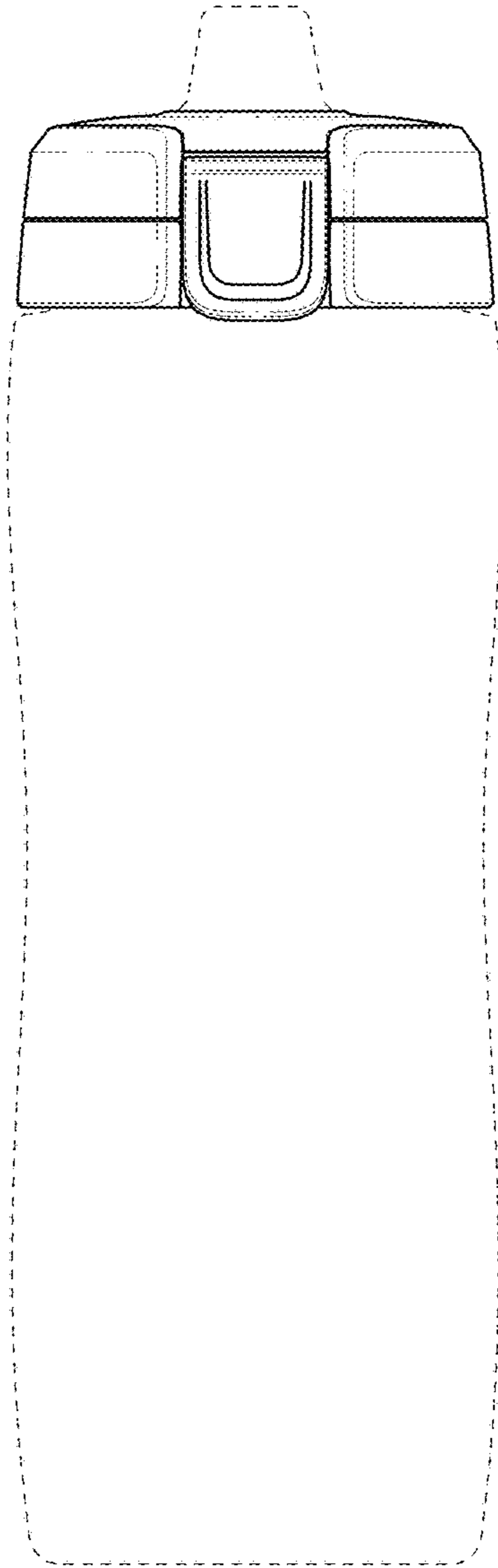


FIG. 3

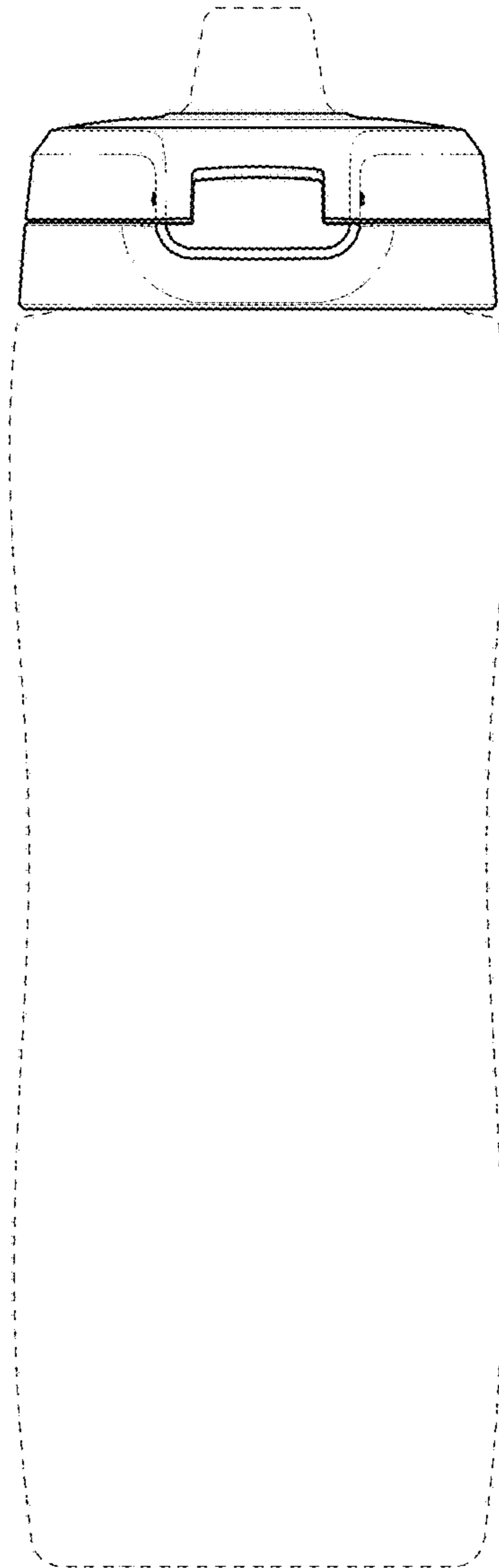


FIG. 4

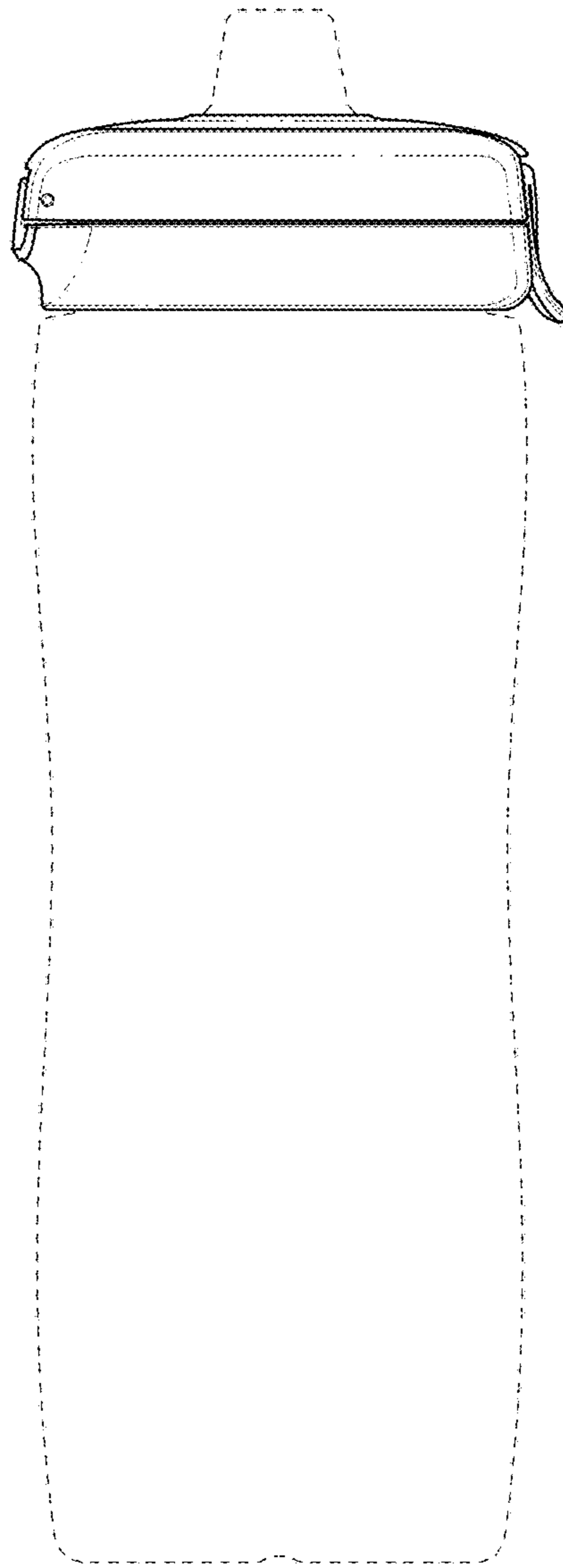


FIG. 5

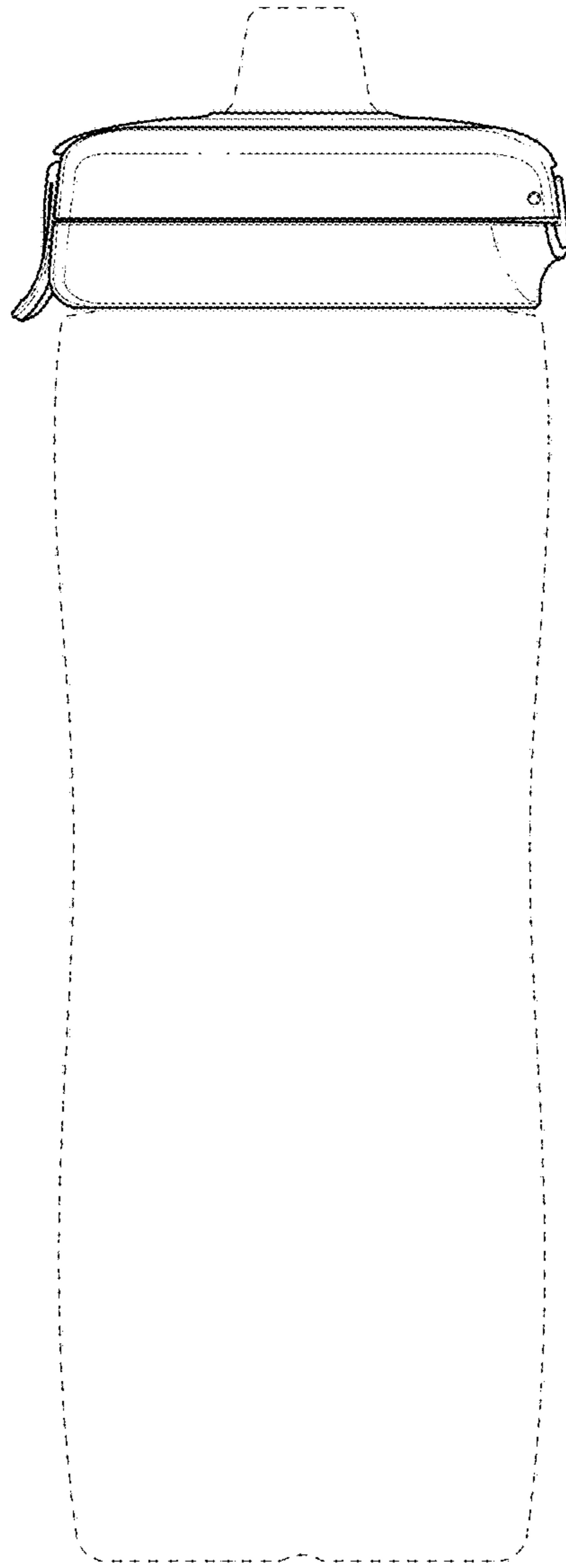


FIG. 6

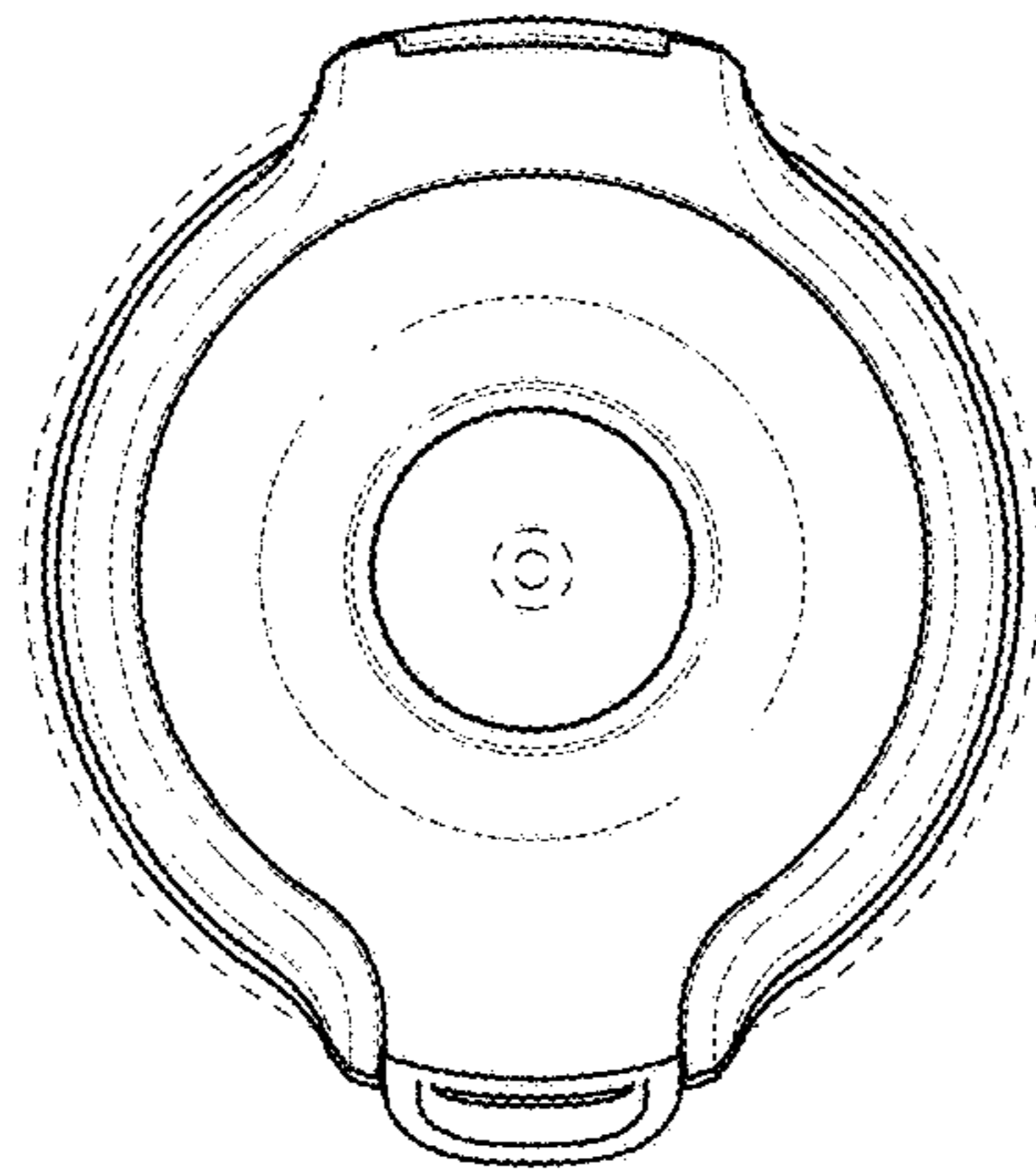


FIG. 7

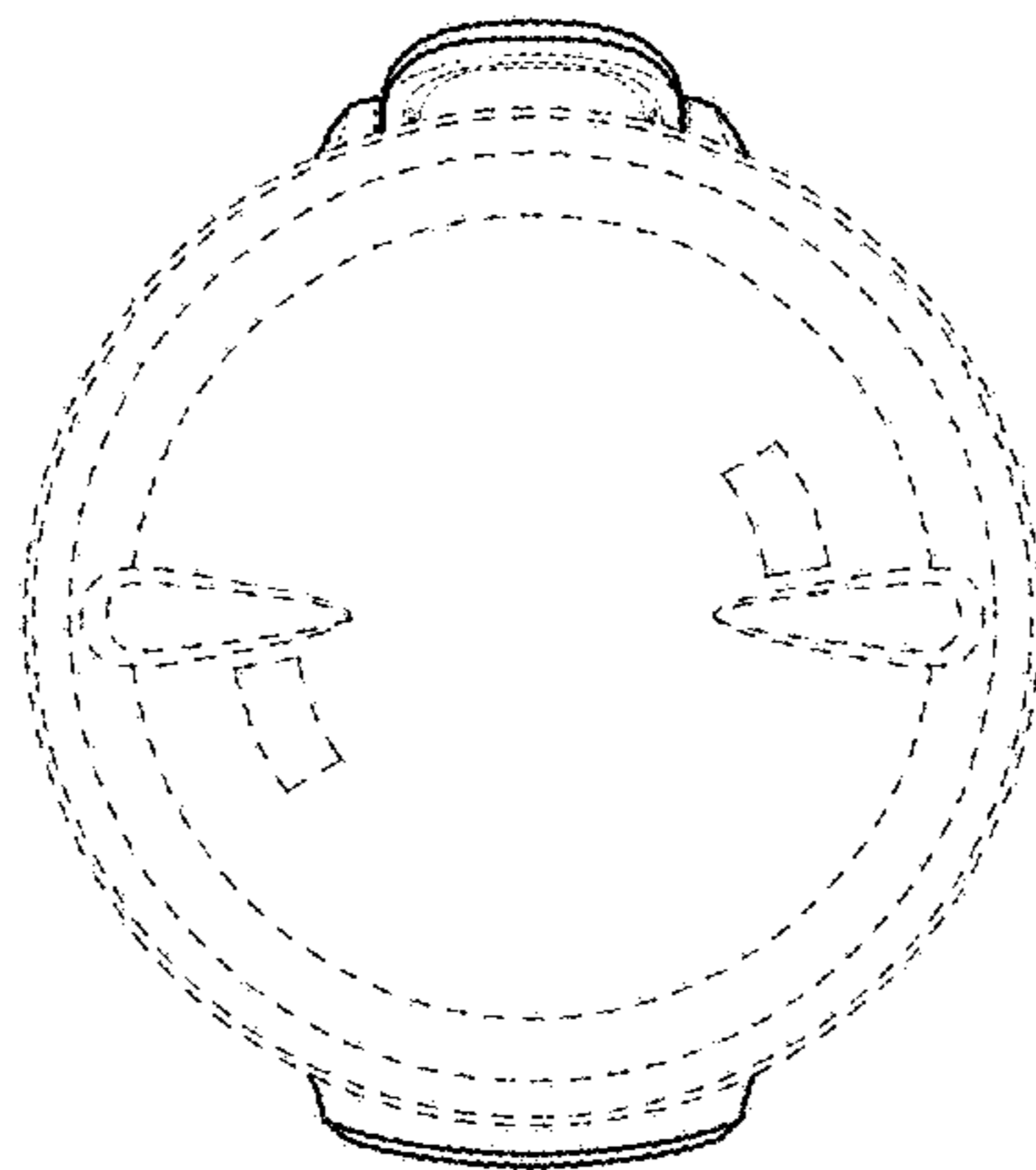


FIG. 8