



US00D853788S

(12) **United States Design Patent**
Zeng

(10) **Patent No.:** **US D853,788 S**

(45) **Date of Patent:** **** Jul. 16, 2019**

- (54) **CAKE TURNTABLE**
- (71) Applicant: **Changfeng Zeng**, Jiangxi (CN)
- (72) Inventor: **Changfeng Zeng**, Jiangxi (CN)
- (**) Term: **15 Years**
- (21) Appl. No.: **29/636,724**
- (22) Filed: **Feb. 9, 2018**
- (51) **LOC (11) Cl.** **07-01**
- (52) **U.S. Cl.**
USPC **D7/501; D7/558; D7/610; D7/554.2; D7/388**
- (58) **Field of Classification Search**
USPC **D7/558.501, 610, 552.2, 554.2, 388; D20/21; D6/677; D11/184**
CPC **A47G 23/08; A47G 19/025**
See application file for complete search history.

- 4,555,990 A * 12/1985 Egawa A47G 23/08 108/139
- D285,159 S * 8/1986 Wexler D7/610
- D297,897 S * 10/1988 Stackhouse D6/677
- D301,956 S * 7/1989 Newton D7/501
- D373,865 S * 9/1996 Wells D32/54
- D386,792 S * 11/1997 Miller D20/21
- 5,736,659 A * 4/1998 Kyle, Jr. A47G 19/025 446/265
- D734,100 S * 7/2015 Miller D7/501

* cited by examiner

Primary Examiner — Marianne N Pandozzi

(57) **CLAIM**

I claim the ornamental design for a cake turntable, as shown and described.

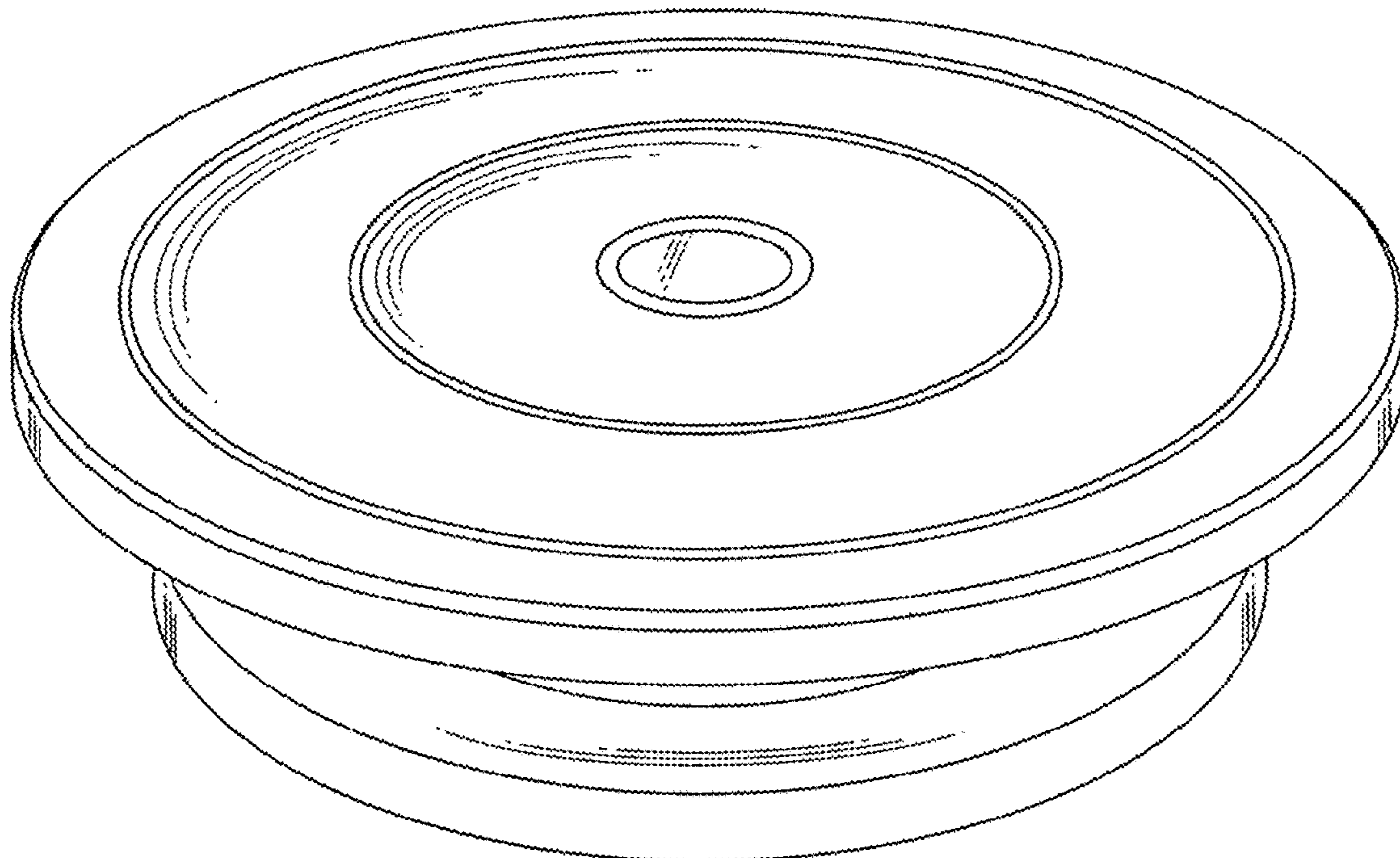
DESCRIPTION

FIG. 1 is a perspective view of a cake turntable showing my new design;
 FIG. 2 is a front elevational view thereof;
 FIG. 3 is a rear elevational view thereof;
 FIG. 4 is a left side elevational view thereof;
 FIG. 5 is a right side elevational view thereof;
 FIG. 6 is a top plan view thereof; and,
 FIG. 7 is a bottom plan view thereof.

The broken lines shown in drawings are for the purpose of illustrating portions of the cake turntable and form no part of the claimed design.

1 Claim, 7 Drawing Sheets

- (56) **References Cited**
U.S. PATENT DOCUMENTS
- 2,915,412 A * 12/1959 Lyons B28C 1/003 106/286.5
- 3,848,943 A * 11/1974 Geesaman A47B 81/04 206/373
- D281,049 S * 10/1985 Rau D11/184
- 4,549,714 A * 10/1985 Busch A47G 23/08 248/131



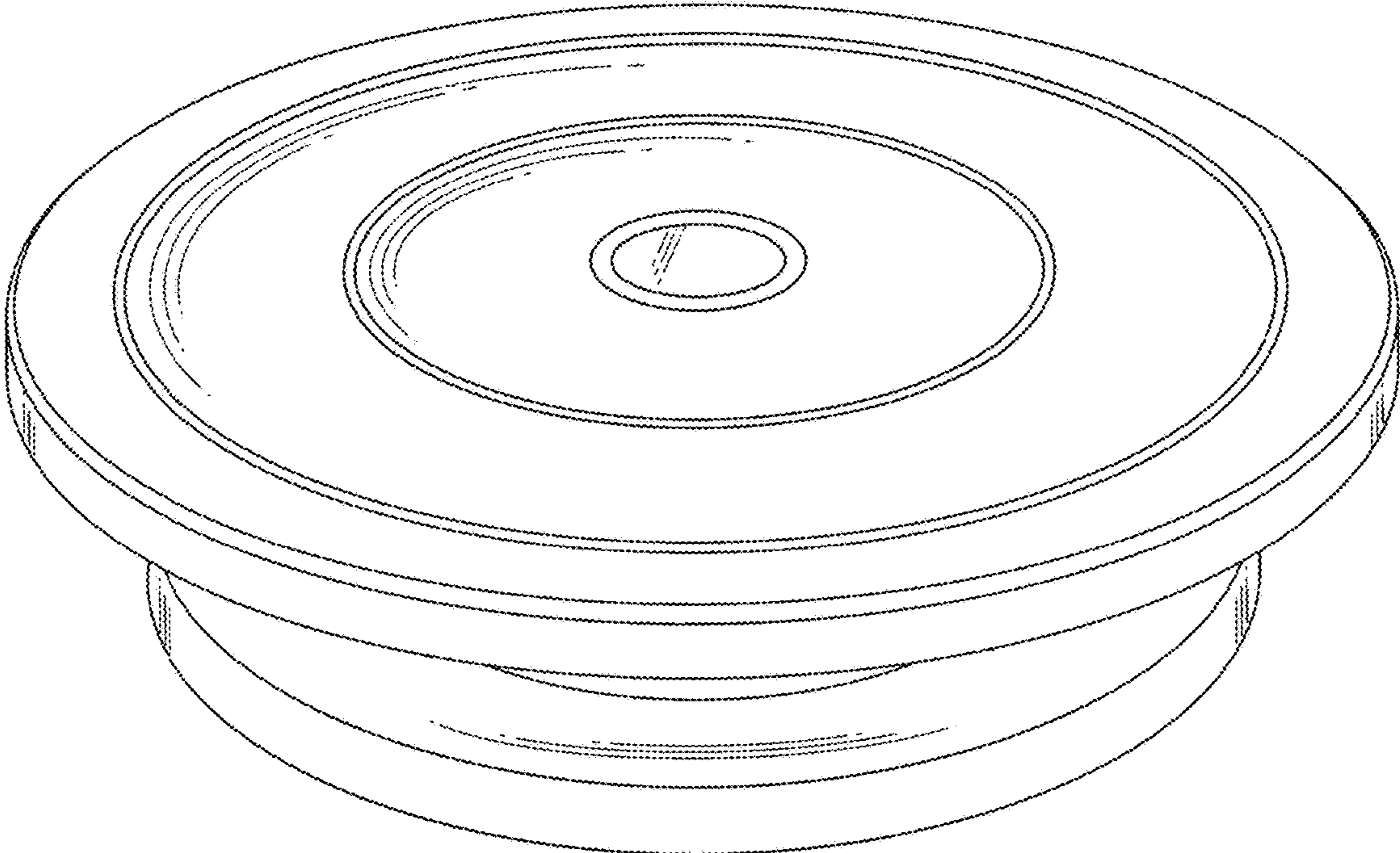


FIG. 1

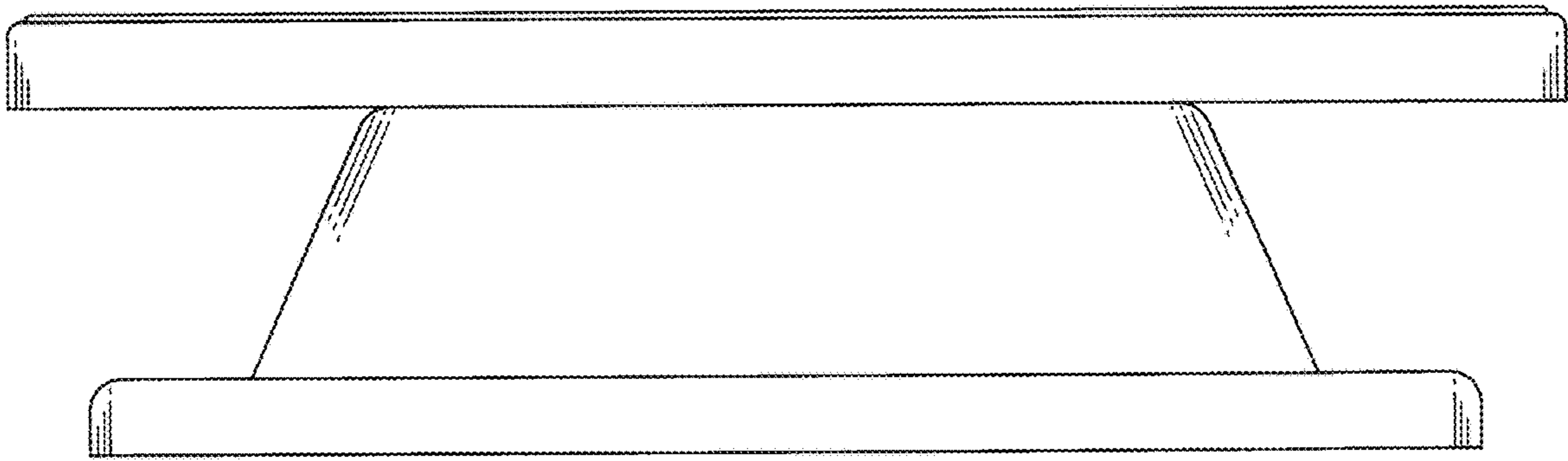


FIG. 2

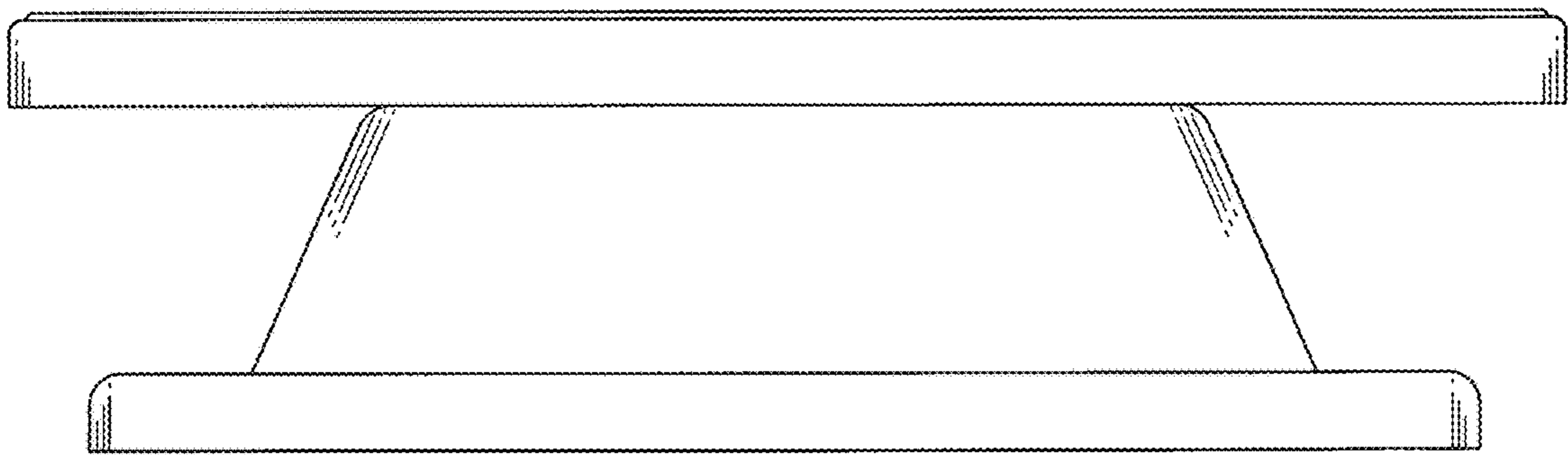


FIG. 3

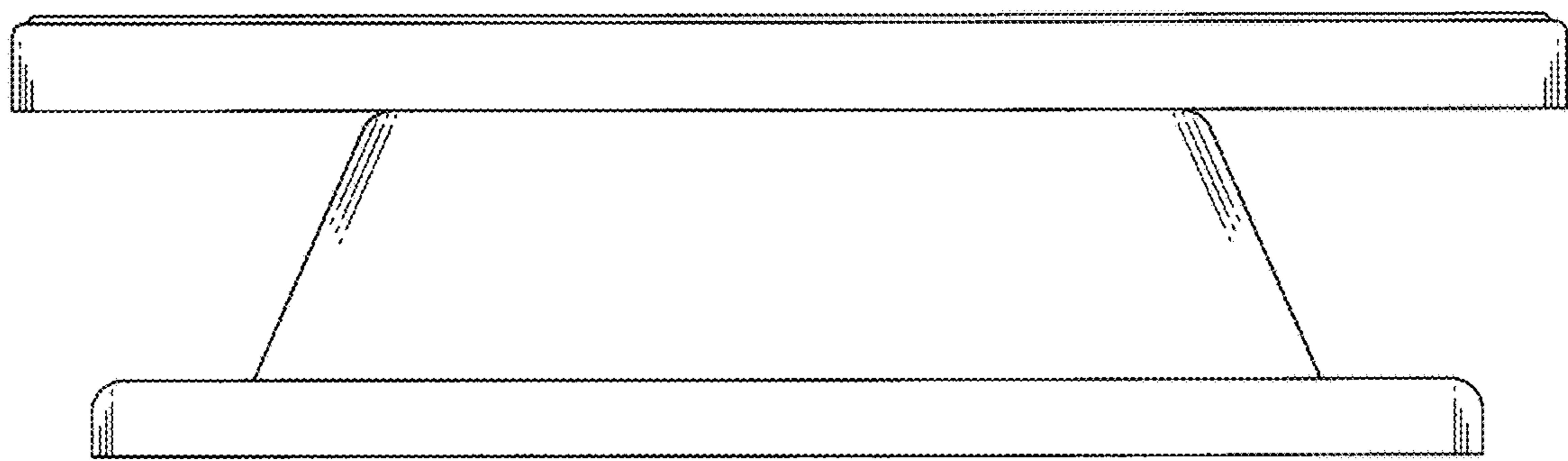


FIG. 4

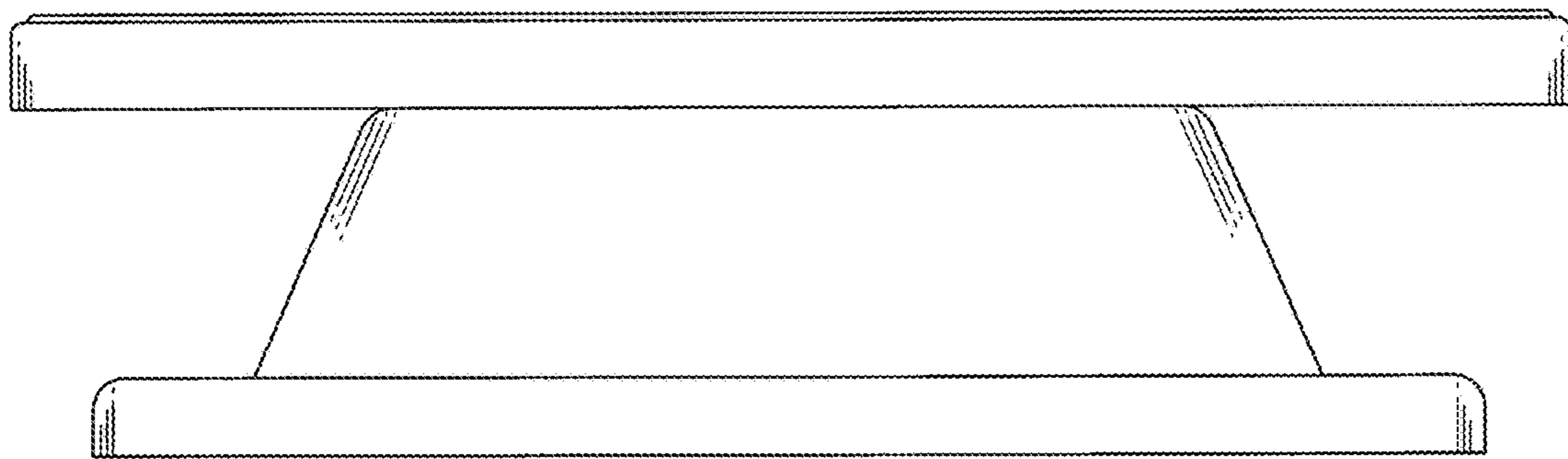


FIG. 5

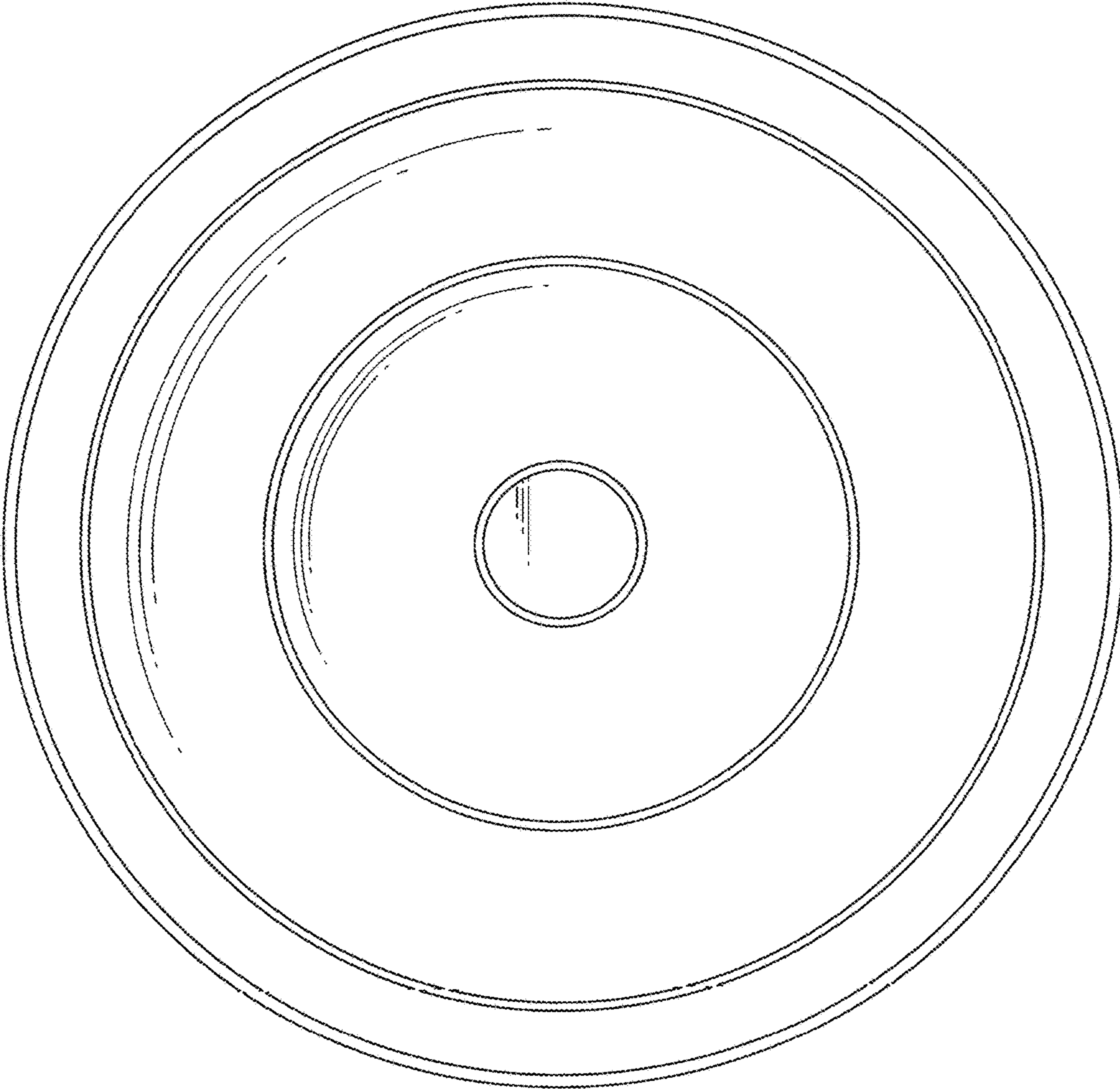


FIG. 6

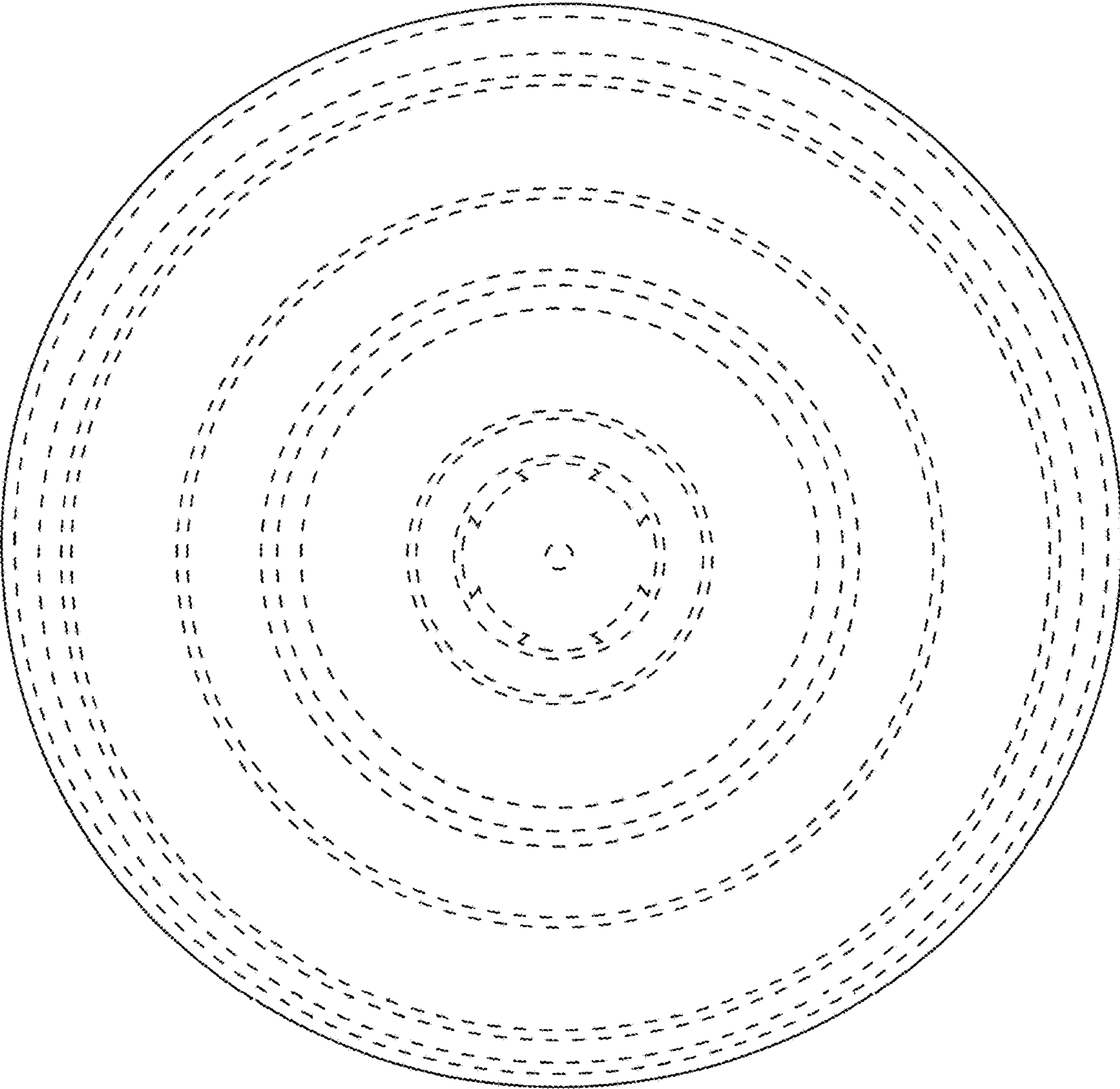


FIG. 7