



US00D853786S

(12) **United States Design Patent** (10) **Patent No.:** **US D853,786 S**
Colston et al. (45) **Date of Patent:** **** Jul. 16, 2019**

- (54) **GRILL LEG**
- (71) Applicant: **Traeger Pellet Grills LLC**, Salt Lake City, UT (US)
- (72) Inventors: **Michael Colston**, Stephenville, MI (US); **Daniel Altenritter**, Riverton, UT (US); **Matthew Czach**, Kalamazoo, MI (US)
- (73) Assignee: **Traeger Pellet Grills, LLC**, Salt Lake City, UT (US)
- (**) Term: **15 Years**
- (21) Appl. No.: **29/538,003**
- (22) Filed: **Aug. 31, 2015**

- 4,362,093 A 12/1982 Griscom
- 4,592,335 A 6/1986 Beller
- 4,665,891 A 5/1987 Nemece
- 4,700,618 A 10/1987 Cox
- 4,788,906 A 12/1988 Starks
- (Continued)

FOREIGN PATENT DOCUMENTS

CN 104352179 2/2015

OTHER PUBLICATIONS

International Search Report for application No. PCT/US2016/051060 dated Dec. 8, 2016.

(Continued)

Primary Examiner — Sheryl Lane
Assistant Examiner — Nicole C Shiflet
(74) *Attorney, Agent, or Firm* — TraskBritt

Related U.S. Application Data

- (63) Continuation-in-part of application No. PCT/US2015/046349, filed on Aug. 21, 2015.
- (51) **LOC (11) Cl.** **07-02**
- (52) **U.S. Cl.**
USPC **D7/403**
- (58) **Field of Classification Search**
USPC D7/402–409, 332–337, 323
CPC A47J 37/07; A47J 37/0704; A47J 37/0763;
A47J 37/0709; A47J 37/0713
See application file for complete search history.

(57) **CLAIM**

The ornamental design for a grill leg, as shown and described.

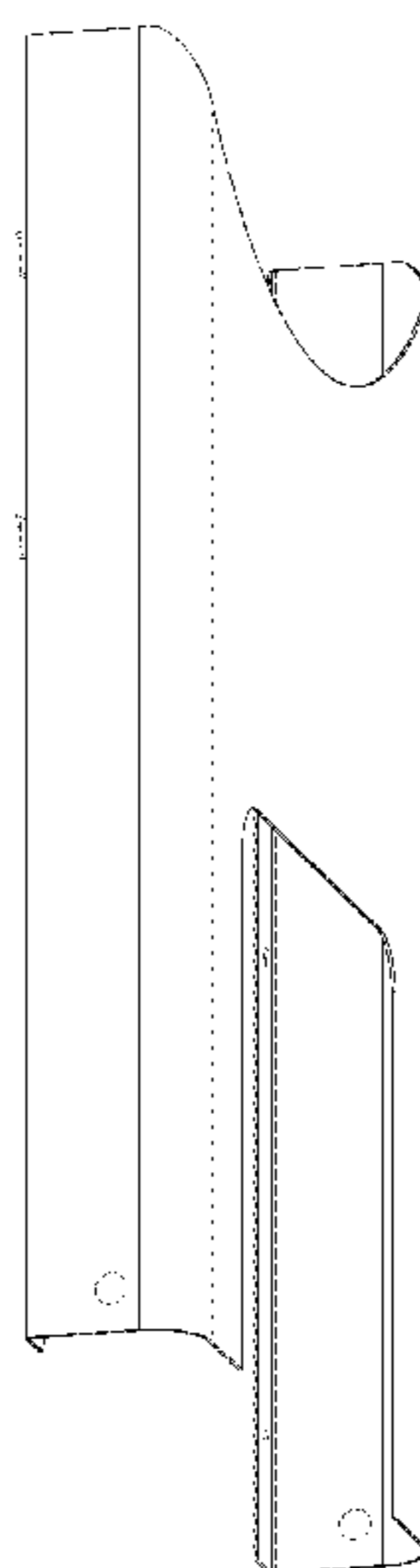
DESCRIPTION

FIG. 1 is a front left perspective view of a grill leg showing the new design in a grilling environment; FIG. 2 is a bottom front left perspective view of the grill leg shown in FIG. 1, removed from the grilling environment; FIG. 3 is a top rear left perspective view thereof; FIG. 4 is a front elevation view thereof; FIG. 5 is a rear elevation view thereof; FIG. 6 is a right side elevation view thereof; FIG. 7 is a left side elevation view thereof; FIG. 8 is a top plan view thereof; and, FIG. 9 is a bottom plan view thereof. The broken lines in the drawings depict environmental subject matter only and form no part of the claimed design.

1 Claim, 7 Drawing Sheets

(56) **References Cited**
U.S. PATENT DOCUMENTS

- 639,099 A 12/1899 Schoregge
- 1,300,710 A 4/1919 Edwards
- 2,902,026 A 9/1959 Hathorn
- 3,533,393 A 10/1970 Haapanen
- 3,665,913 A 5/1972 Cagle, Jr.
- 3,769,901 A 11/1973 Phillips
- 3,938,493 A 2/1976 Bauer
- 4,076,008 A 2/1978 Deaton



(56)

References Cited

U.S. PATENT DOCUMENTS

5,031,602 A 7/1991 Vick
 D320,527 S * 10/1991 Carroll D7/332
 5,070,857 A 12/1991 Sarten
 5,163,359 A 11/1992 McLane
 5,404,795 A 4/1995 Coble
 5,473,979 A 12/1995 Ruben
 5,481,964 A 1/1996 Kitten
 5,524,610 A 6/1996 Clark
 5,694,917 A 12/1997 Giebel
 5,934,180 A 8/1999 Lin
 5,947,007 A 9/1999 O'Grady
 6,000,388 A 12/1999 Andress
 6,125,836 A 10/2000 Felton
 6,182,560 B1 2/2001 Andress
 6,189,528 B1 2/2001 Oliver
 6,209,533 B1 4/2001 Ganard
 D456,202 S * 4/2002 McNair D7/332
 6,422,134 B1 7/2002 Barksdale
 6,557,545 B2 5/2003 Williams
 6,810,792 B1 11/2004 Knight
 6,913,011 B1 7/2005 Snider
 D510,835 S 10/2005 Pai
 D526,831 S * 8/2006 Chung D7/332
 D534,755 S 1/2007 Knight
 D535,522 S 1/2007 Seager
 7,156,087 B1 1/2007 Churchhill
 D562,619 S * 2/2008 Henley D7/334
 7,624,675 B2 12/2009 Galdamez
 D609,959 S * 2/2010 Chen D7/337
 7,753,047 B1 7/2010 Trammell
 7,984,709 B1 7/2011 Brynes
 D660,646 S 5/2012 Simms
 8,381,712 B1 2/2013 Simms
 D680,794 S 4/2013 Chung
 8,915,238 B2 12/2014 Goeken
 D736,026 S * 8/2015 Kam D7/334
 D739,170 S 9/2015 Chung
 D786,014 S 5/2017 Knight
 D796,258 S * 9/2017 Streckfus D7/409
 D798,645 S * 10/2017 Lira-Nunez D7/334
 D798,646 S * 10/2017 Lira-Nunez D7/334
 D799,259 S * 10/2017 Lira-Nunez D7/334
 2002/0020405 A1 * 2/2002 Coleman A47J 37/0682
 126/41 R
 2003/0019492 A1 1/2003 Williams
 2005/0204934 A1 9/2005 Robertson
 2005/0217659 A1 10/2005 McClenahan
 2006/0016447 A1 1/2006 Meyer
 2006/0042475 A1 3/2006 Craig
 2006/0137676 A1 6/2006 Barker
 2007/0163568 A1 7/2007 Murray
 2007/0175467 A1 8/2007 Liu
 2007/0277805 A1 12/2007 Ho
 2008/0011285 A1 1/2008 Milligan
 2009/0199839 A1 8/2009 Hulsey
 2010/0024797 A1 2/2010 Tsung

2010/0059038 A1 * 3/2010 Ho A47J 37/0763
 126/25 R
 2010/0083947 A1 4/2010 Guillory
 2011/0079210 A1 4/2011 Jackovitch
 2012/0192726 A1 8/2012 Clearman
 2012/0216790 A1 8/2012 Hopkins
 2012/0266857 A1 10/2012 Lin
 2013/0061765 A1 3/2013 Reinhart
 2013/0112088 A1 5/2013 May
 2013/0292520 A1 * 11/2013 Alden A47J 37/0713
 248/73
 2013/0298894 A1 11/2013 Kleinsasser
 2014/0090634 A1 4/2014 Li
 2014/0261012 A1 9/2014 Perez, Jr. et al.
 2015/0047512 A1 2/2015 Marra
 2015/0047515 A1 2/2015 Jenness
 2015/0047625 A1 2/2015 Weil
 2015/0079250 A1 3/2015 Ahmed
 2015/0144238 A1 5/2015 Traeger
 2015/0265099 A1 9/2015 Coffie
 2015/0305559 A1 10/2015 Chung
 2017/0065124 A1 3/2017 Colston
 2017/0067649 A1 3/2017 Colston
 2017/0196400 A1 7/2017 Colston

OTHER PUBLICATIONS

International Search Report for application No. PCT/US2016/051066 dated Dec. 8, 2016.
 Restriction Requirement for U.S. Appl. No. 14/906,526 dated Sep. 12, 2017.
 International Search Report and Written Opinion for application No. PCT/US2015/046349 dated Dec. 28, 2015.
 Combined Search Examination Report for application No. GB1604584.1 dated Aug. 1, 2016.
 amazon.com Inc., 2014, "The Original Bar-Be Quick Build in Grill & Bake + Free pack of Beechwood smoking chips", amazon.co.uk, [online], Available from <https://www.amazon.co.uk/Original-Bar-Be-Quick-Build-Beechwood-smoking/dp/B00IGUPK4C> [Accessed Jul. 22, 2015].
 Non-Final Office Action for U.S. Appl. No. 14/906,526 dated Dec. 11, 2017.
 Non-Final Action mailed for U.S. Appl. No. 15/070,225 dated Feb. 23, 2018.
 Non-Final Office Action for U.S. Appl. No. 29/539,822 dated Dec. 28, 2017.
 Traeger Timberline 1300, by John R. Delaney, PCMag [online], published Aug. 4, 2017, [retrieved on Dec. 21, 2017]. Retrieved from the Internet, URL: <https://www.pcmag.com/review/355354/traeger-timberline-1300>.
 Non-Final Action mailed for U.S. Appl. No. 15/070,220 dated Sep. 6, 2018.
 Notice of Allowance mailed for U.S. Appl. No. 15/070,225 dated Oct. 10, 2018.

* cited by examiner

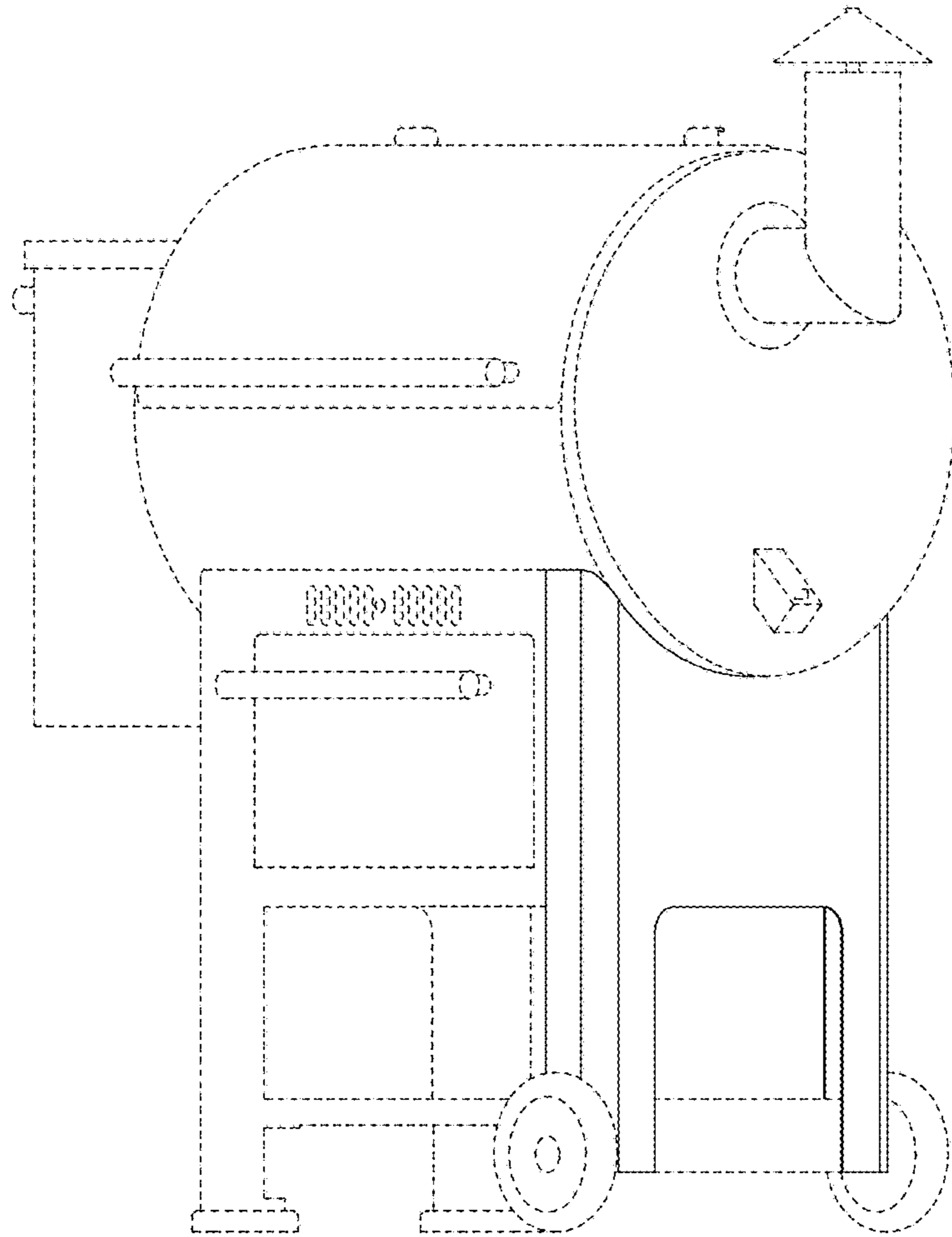


FIG. 1

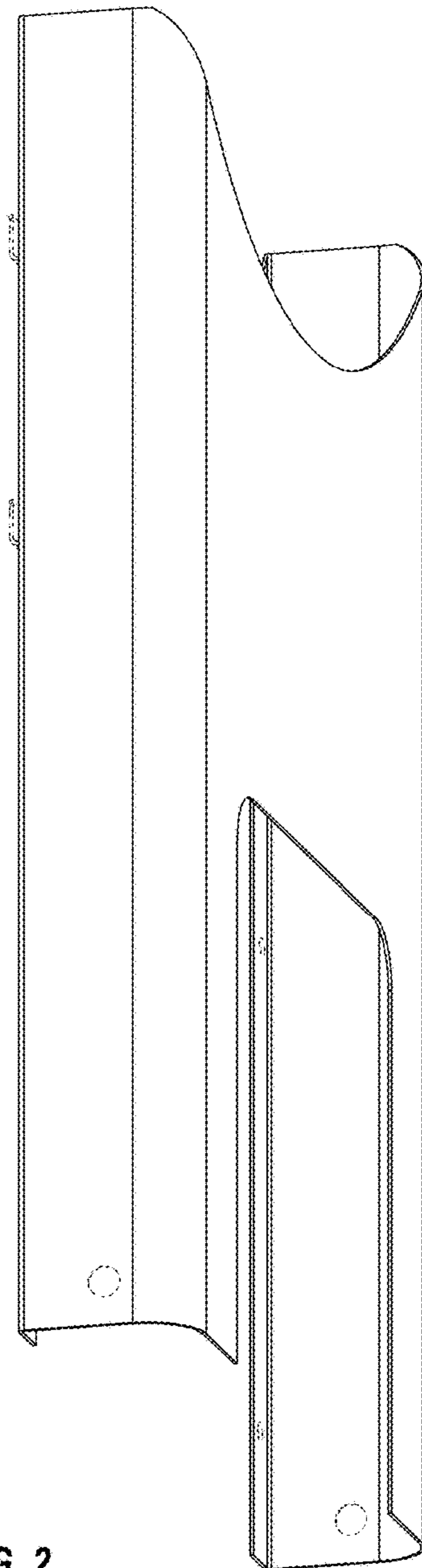


FIG. 2

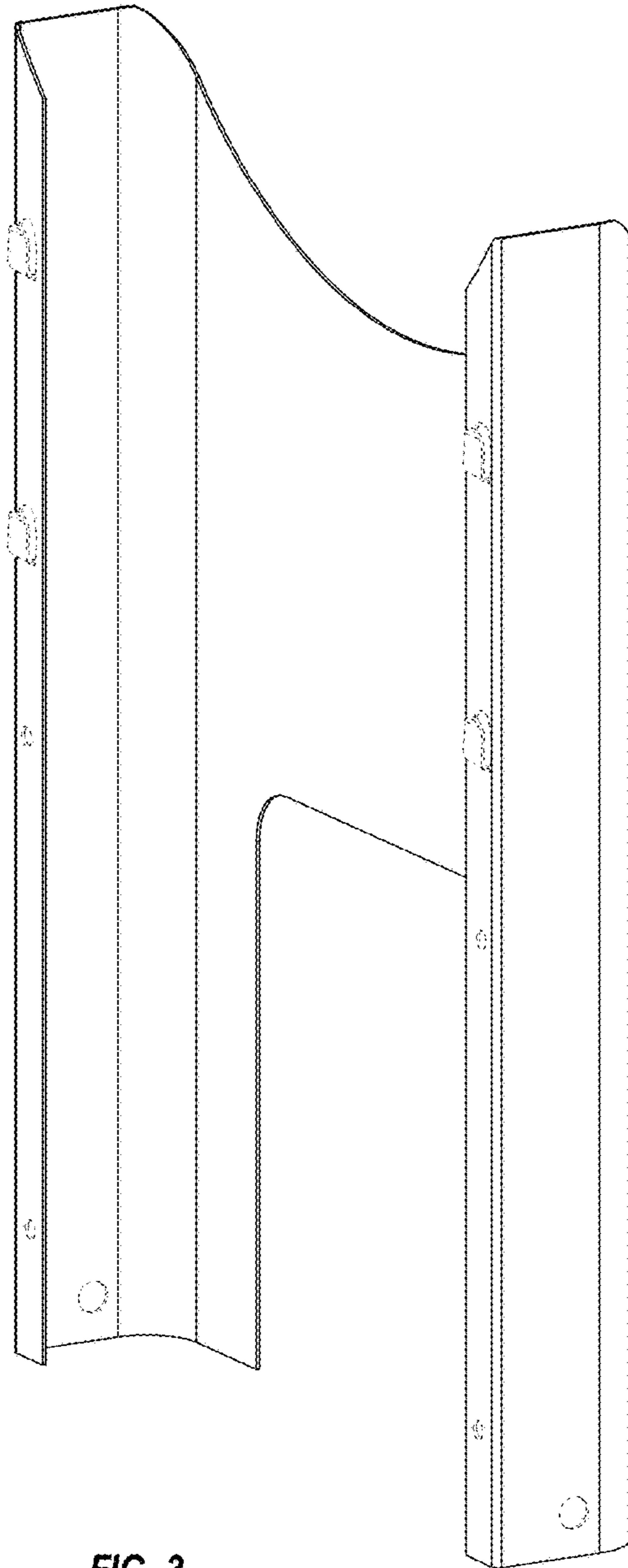


FIG. 3

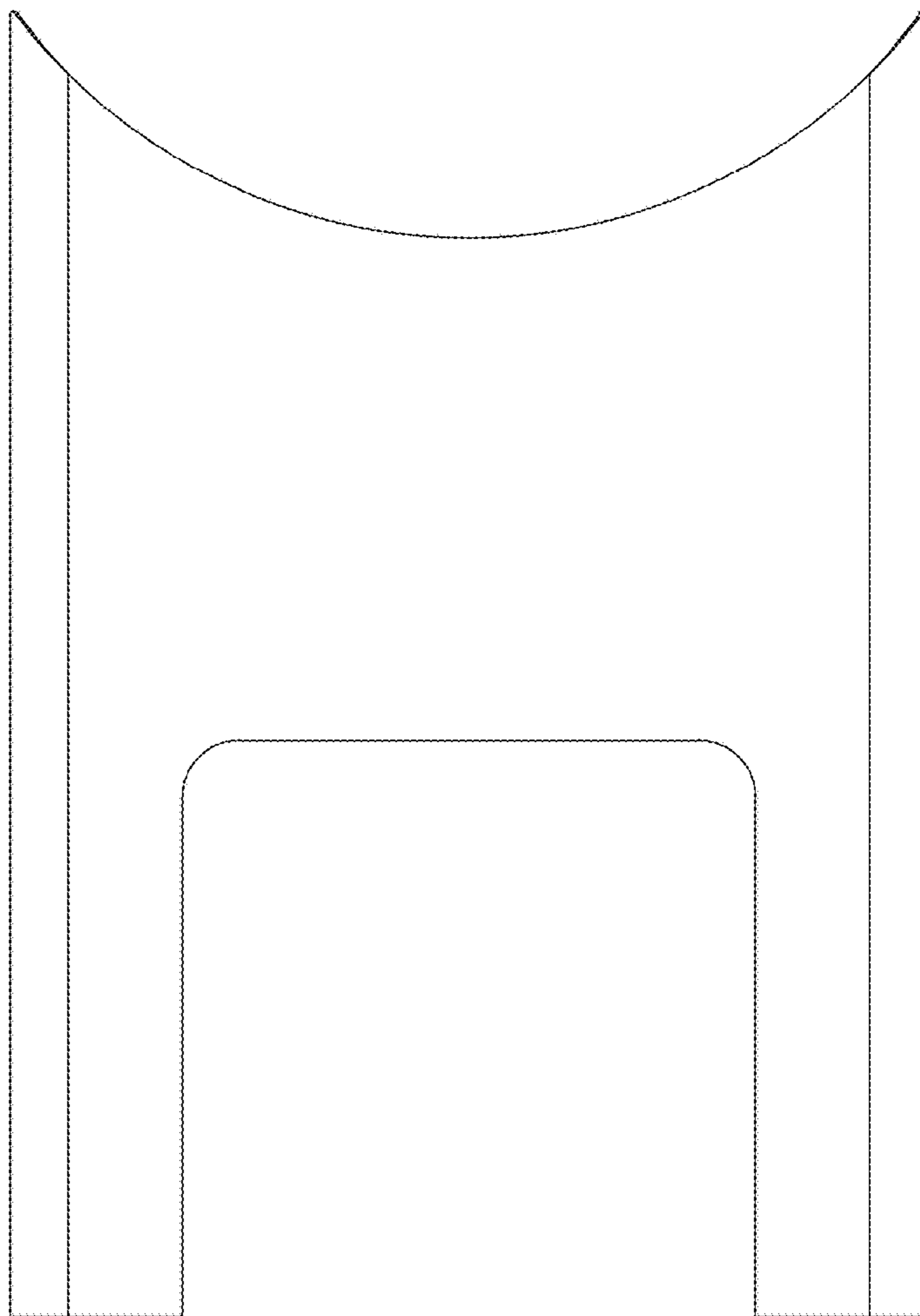


FIG. 4

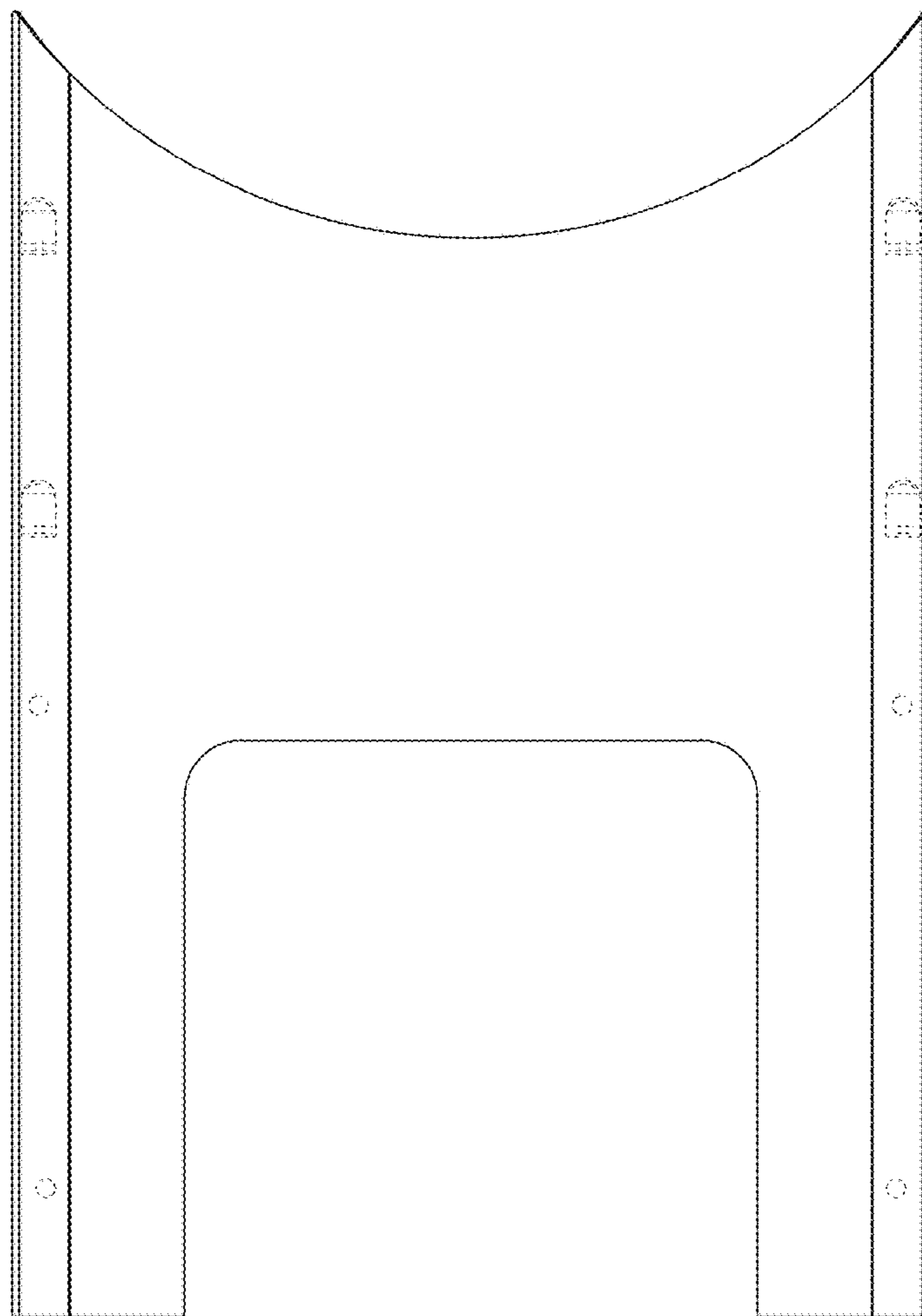


FIG. 5

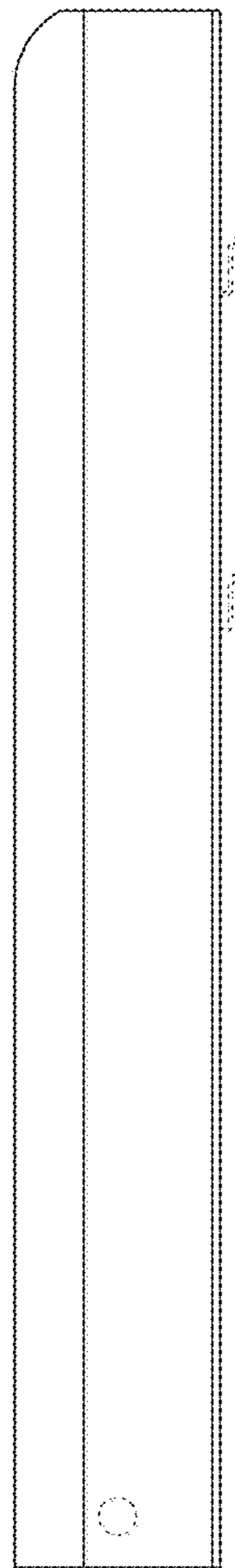


FIG. 6

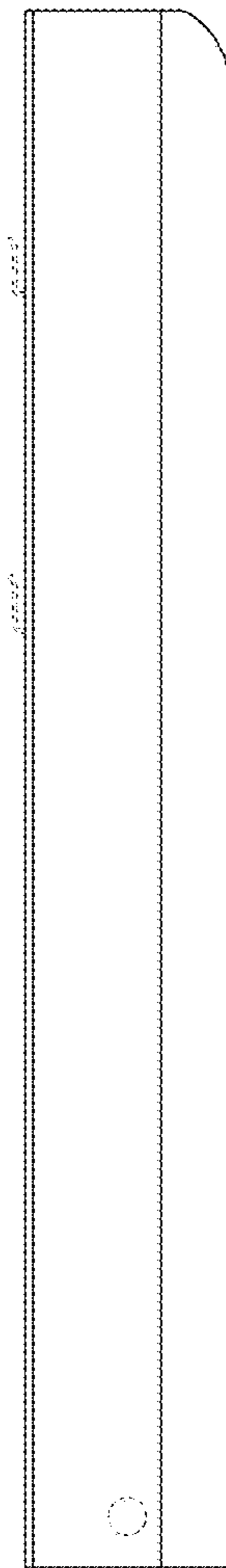


FIG. 7



FIG. 8

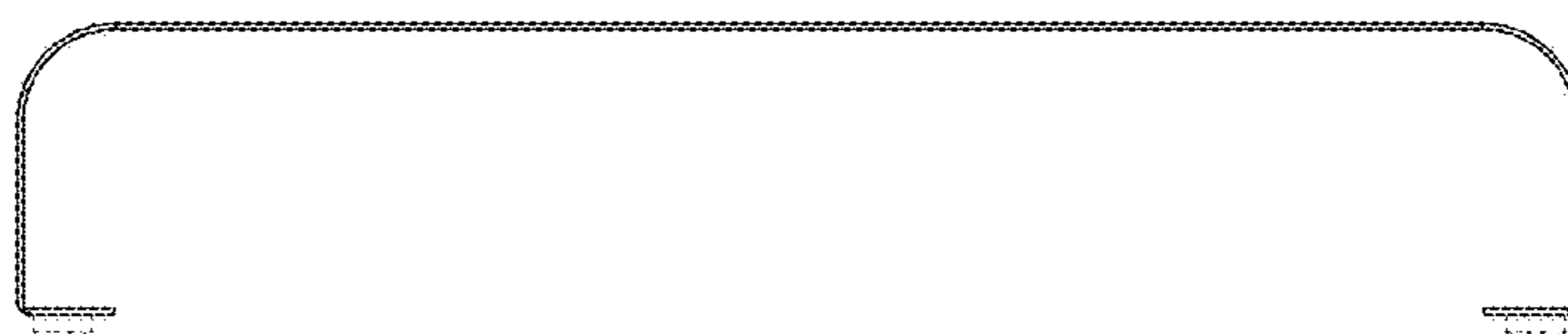


FIG. 9