



US00D853784S

(12) **United States Design Patent** (10) **Patent No.:** **US D853,784 S**
Wu (45) **Date of Patent:** **** Jul. 16, 2019**

(54) **BOWL COVER**
(71) Applicant: **Xiaoqin Wu**, Zhejiang (CN)
(72) Inventor: **Xiaoqin Wu**, Zhejiang (CN)
(**) Term: **15 Years**
(21) Appl. No.: **29/626,438**
(22) Filed: **Nov. 16, 2017**
(51) **LOC (11) Cl.** **07-99**
(52) **U.S. Cl.**
USPC **D7/392.1; D7/392**
(58) **Field of Classification Search**
USPC D9/452, 453, 454, 435, 447, 449;
D7/391, 392, 392.1, 510, 511, 538, 540,
D7/542, 543, 544, 545, 629
CPC ... A47G 19/2205; A47G 19/2222; A45F 3/16;
A45F 3/20; B67D 7/06; B67D 7/0004;
B65D 25/14; B65D 47/065; B65D
47/066; B65D 2543/00101; B65D
2543/00027
See application file for complete search history.

D686,040 S * 7/2013 Lane D7/510
D686,871 S * 7/2013 Lane D7/392.1
D686,872 S * 7/2013 Lane D7/392.1
D690,557 S * 10/2013 Carreno D7/510
D690,558 S * 10/2013 Lane D7/510
D695,069 S * 12/2013 Lane D7/510
D702,505 S * 4/2014 Nakatani D7/605
D718,626 S * 12/2014 Lane B65D 41/62
D9/449
D739,183 S * 9/2015 Lane D7/605
D744,290 S * 12/2015 Endo D7/608
D747,918 S * 1/2016 Herbst D7/392.1
D763,082 S * 8/2016 Bos D9/449
D780,578 S * 3/2017 Lane D7/396.2
D785,402 S * 5/2017 Shirley D7/392.1
D794,453 S * 8/2017 Boroski D7/392.1
D798,715 S * 10/2017 Sims D9/448
D818,309 S * 5/2018 Jasso Gomez D7/392.1
D821,137 S * 6/2018 Boroski D7/392.1

(Continued)

Primary Examiner — Karen S Acker
Assistant Examiner — Steven B Reinholdt, Jr.

(57) **CLAIM**

I claim the ornamental design for a bowl cover, as shown and described.

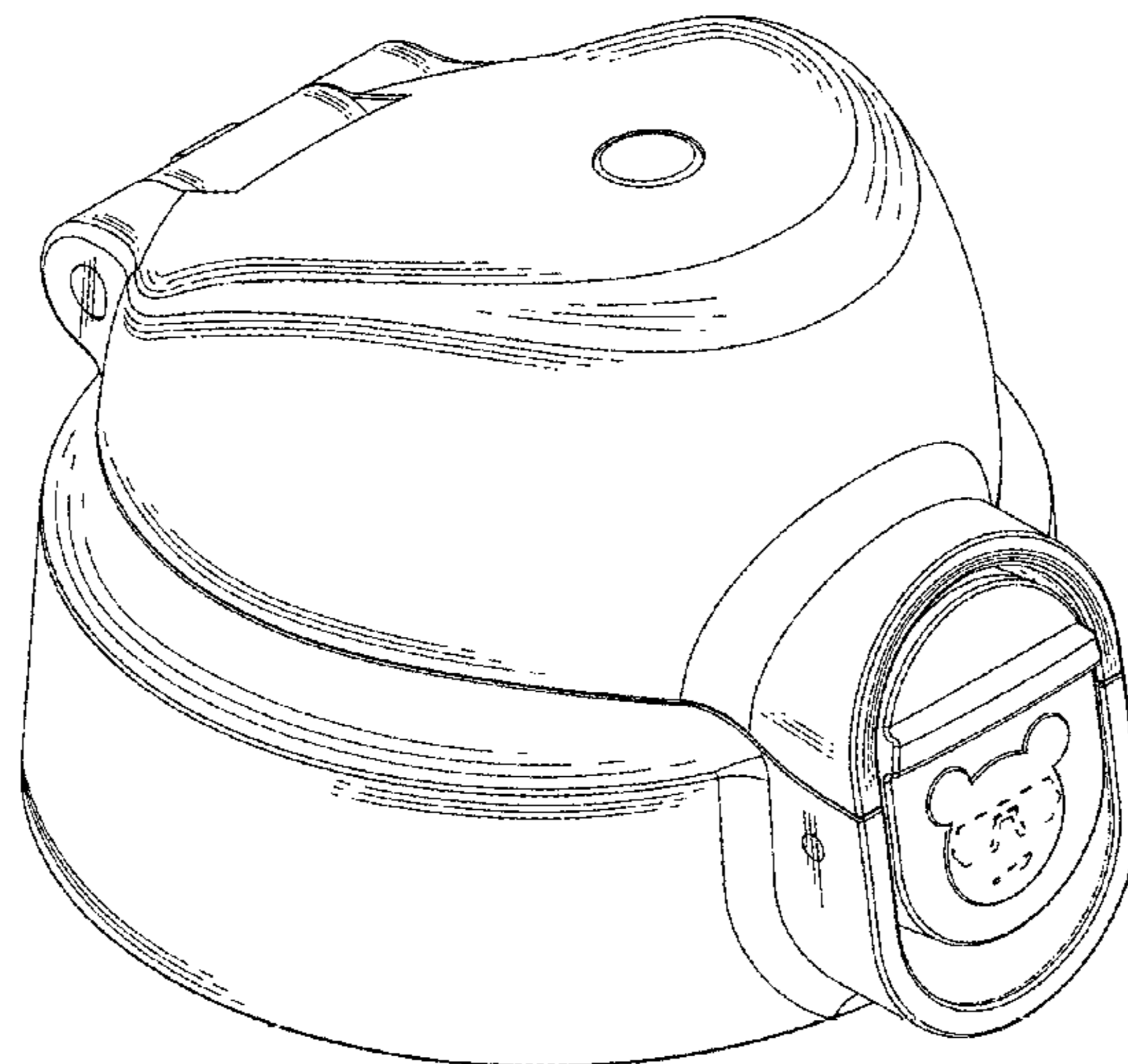
DESCRIPTION

FIG. 1 is a perspective view of a bowl cover showing my new design;
FIG. 2 is a front elevational view thereof;
FIG. 3 is a rear elevational view thereof;
FIG. 4 is a left side elevational view thereof;
FIG. 5 is a right side elevational view thereof;
FIG. 6 is a top plan view thereof; and,
FIG. 7 is a bottom plan view thereof.
The evenly spaced broken lines depict portions of the bowl cover that form no part of the claim. The dot dash dot broken lines in FIGS. 1, 2, and 7 depict the boundaries of the claim and form no part thereof.

1 Claim, 7 Drawing Sheets

(56) **References Cited**
U.S. PATENT DOCUMENTS

D451,023 S * 11/2001 Kitamura D9/449
D492,597 S * 7/2004 Norris D9/442
D520,873 S * 5/2006 Lovell D9/449
D527,630 S * 9/2006 McConville D9/448
D530,609 S * 10/2006 Beaver D9/445
D547,184 S * 7/2007 Kim D9/447
D572,586 S * 7/2008 Medema D9/445
D589,743 S * 4/2009 Pearson D7/392
D608,640 S * 1/2010 Carreno D9/449
7,712,618 B2 * 5/2010 Barre B65D 47/0871
215/237
D661,945 S * 6/2012 Eyal D7/392.1
D668,503 S * 10/2012 Kotani D7/392.1
D675,060 S * 1/2013 Lane D7/392.1
D676,708 S * 2/2013 Lane D7/510



(56)

References Cited

U.S. PATENT DOCUMENTS

D830,118 S * 10/2018 Ksiazek D7/392.1
2013/0220966 A1* 8/2013 Lane A45F 3/16
215/228
2013/0319966 A1* 12/2013 Lane B65D 43/26
215/237

* cited by examiner

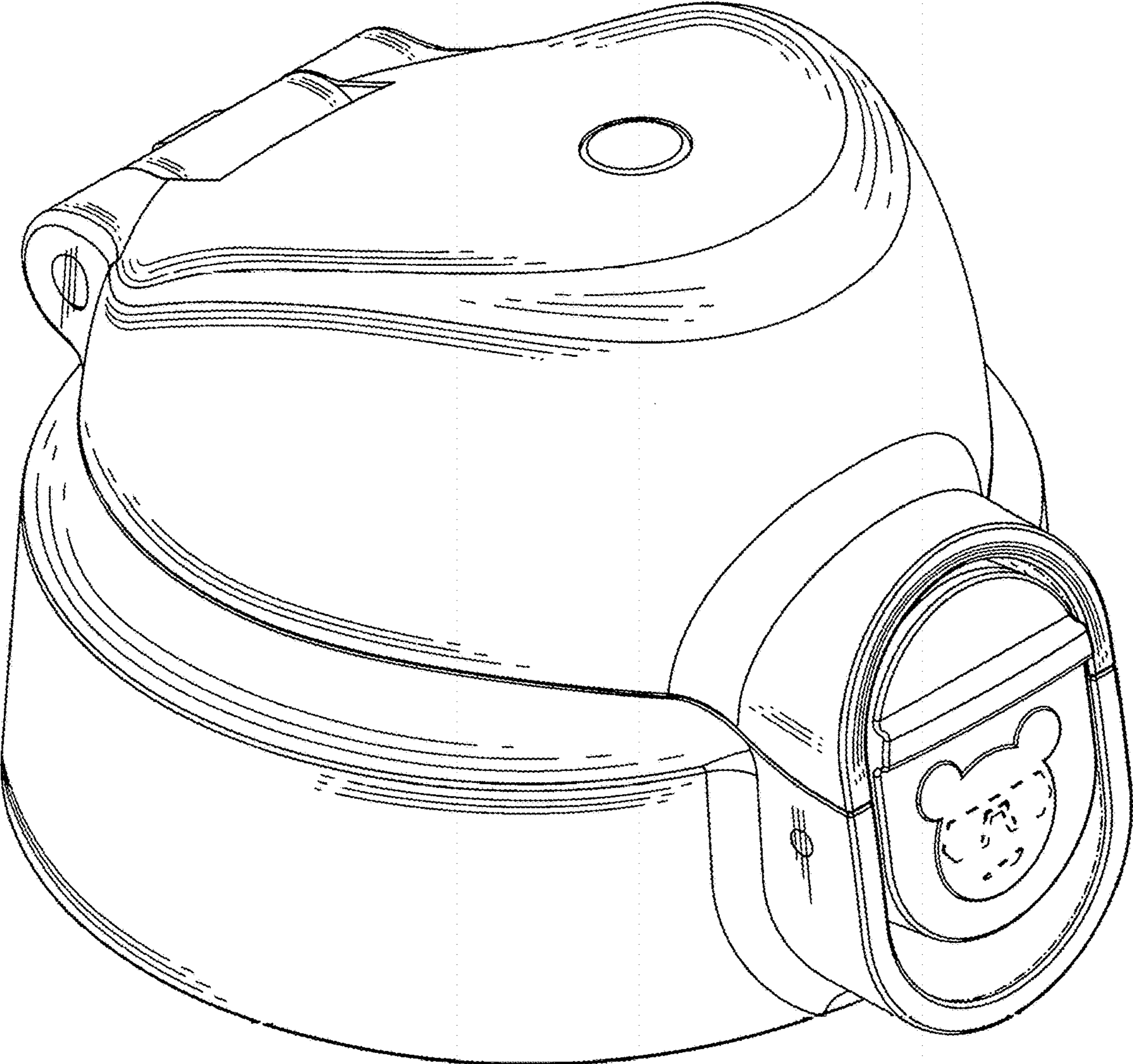


FIG. 1

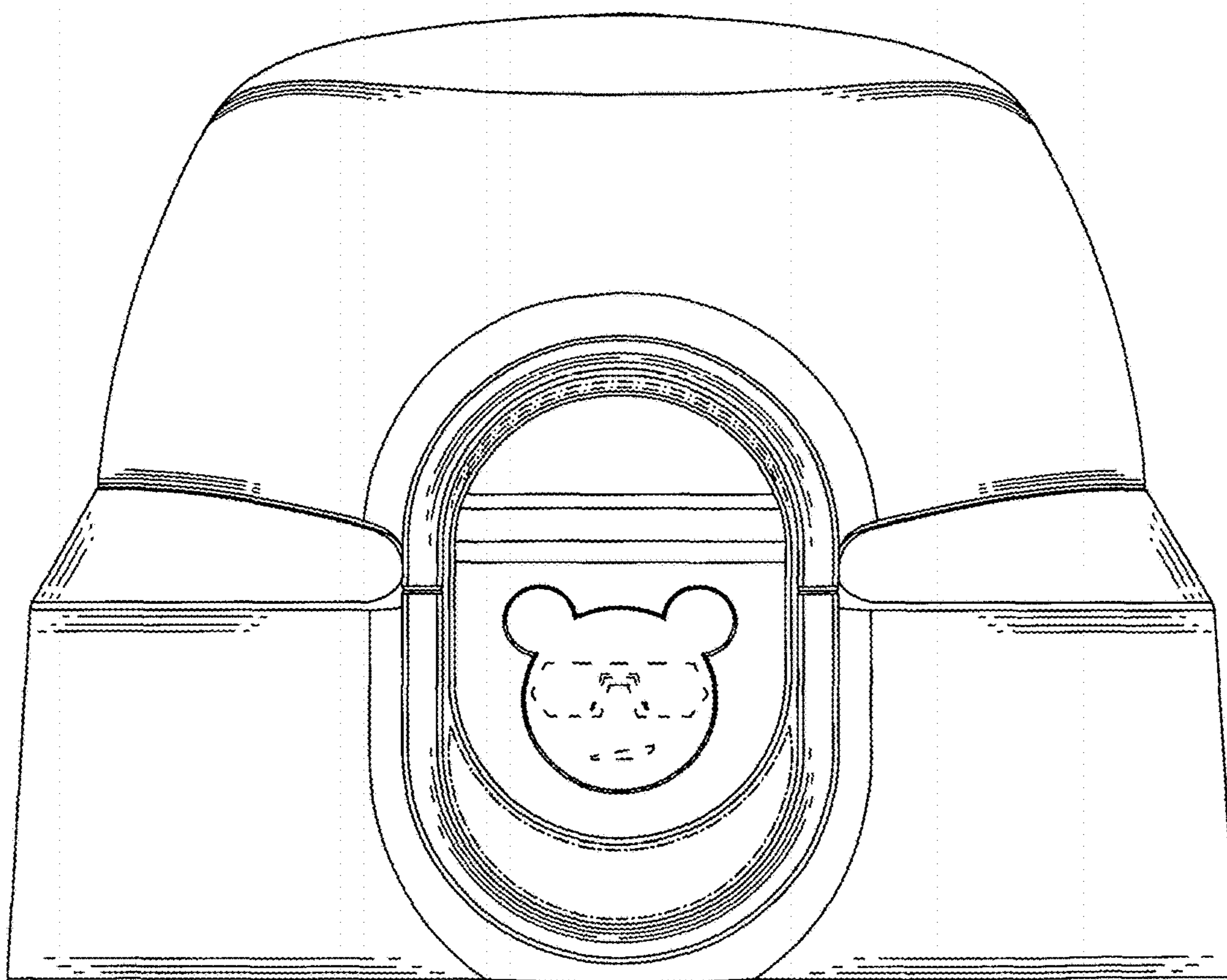


FIG. 2

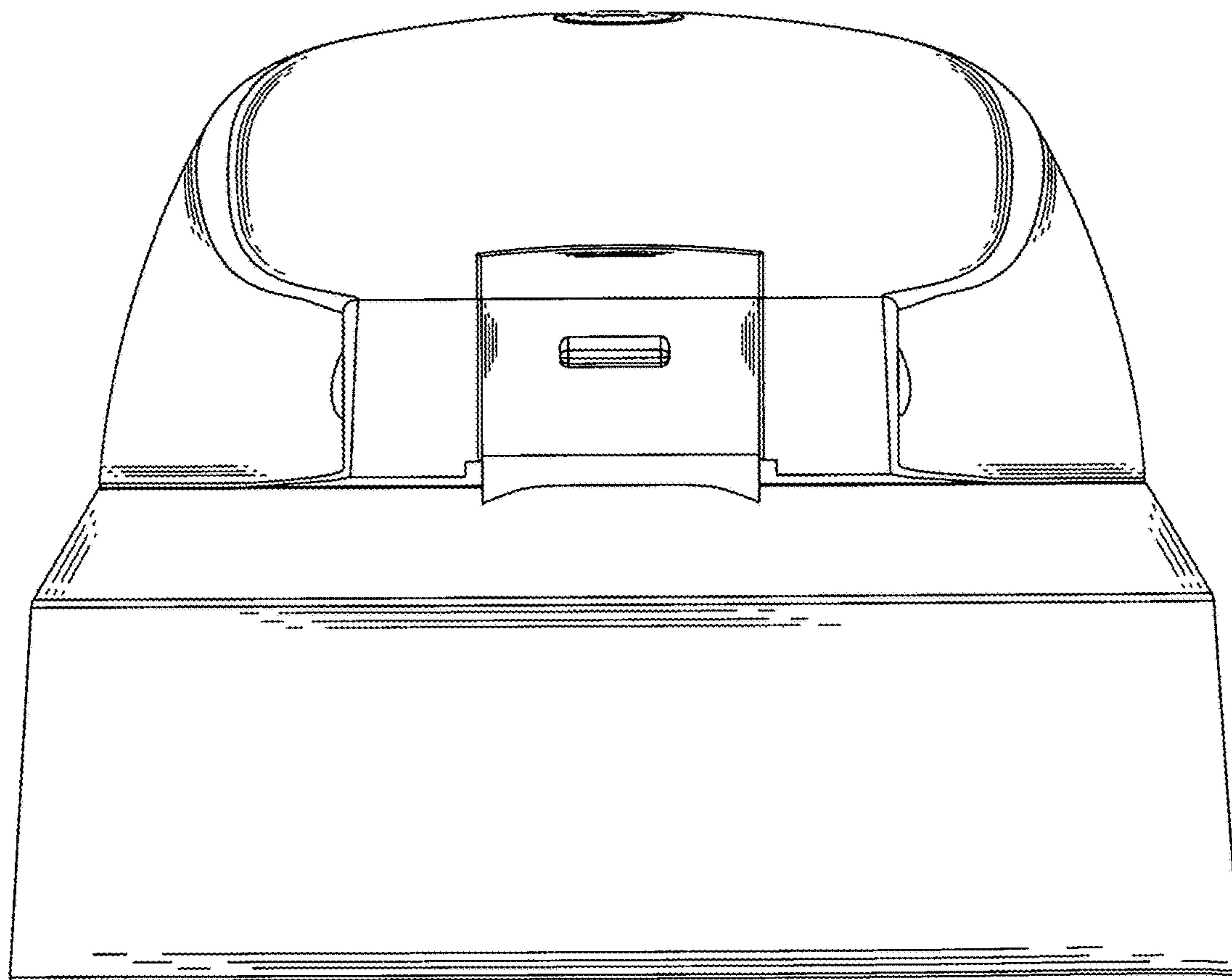


FIG. 3

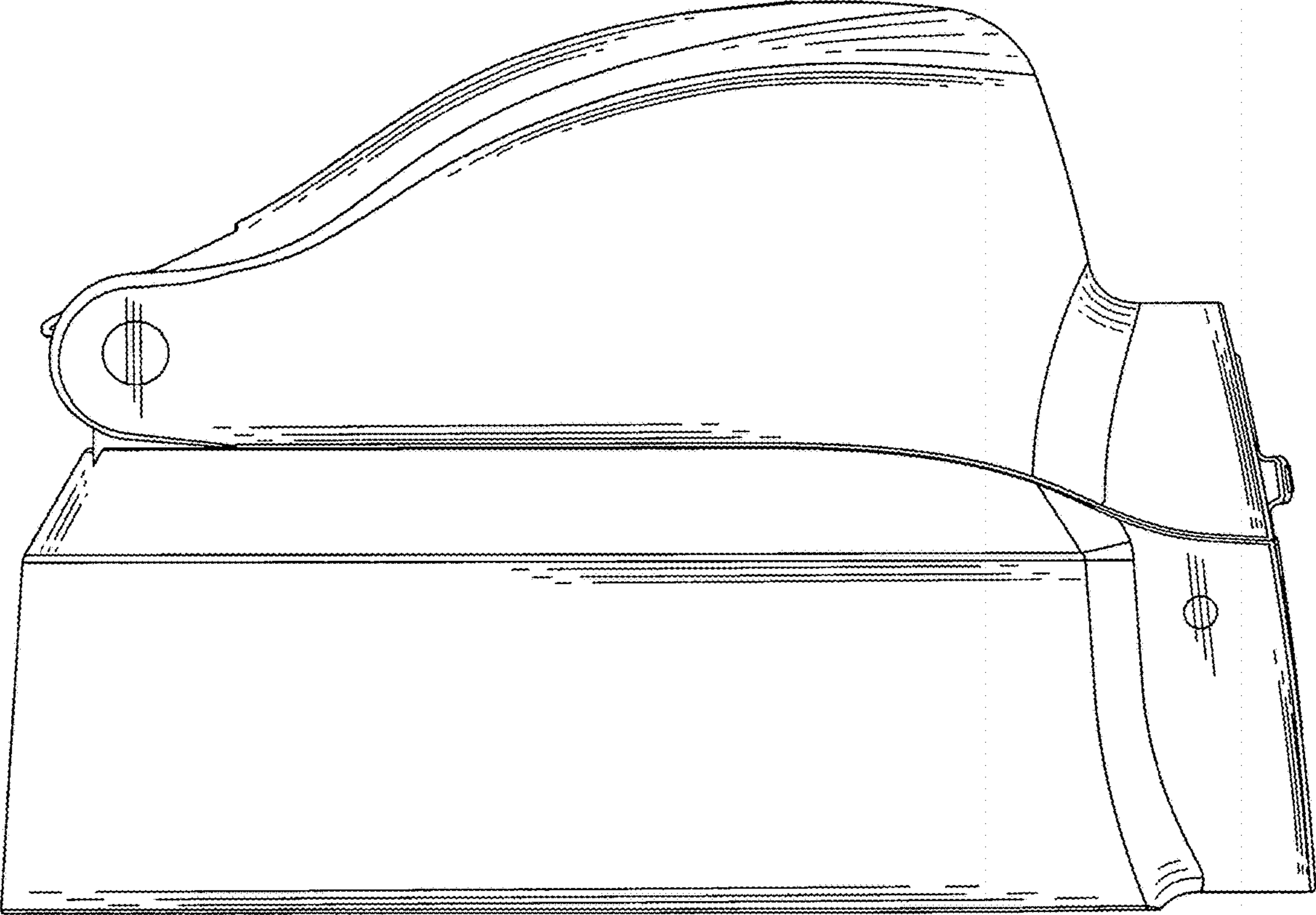


FIG. 4

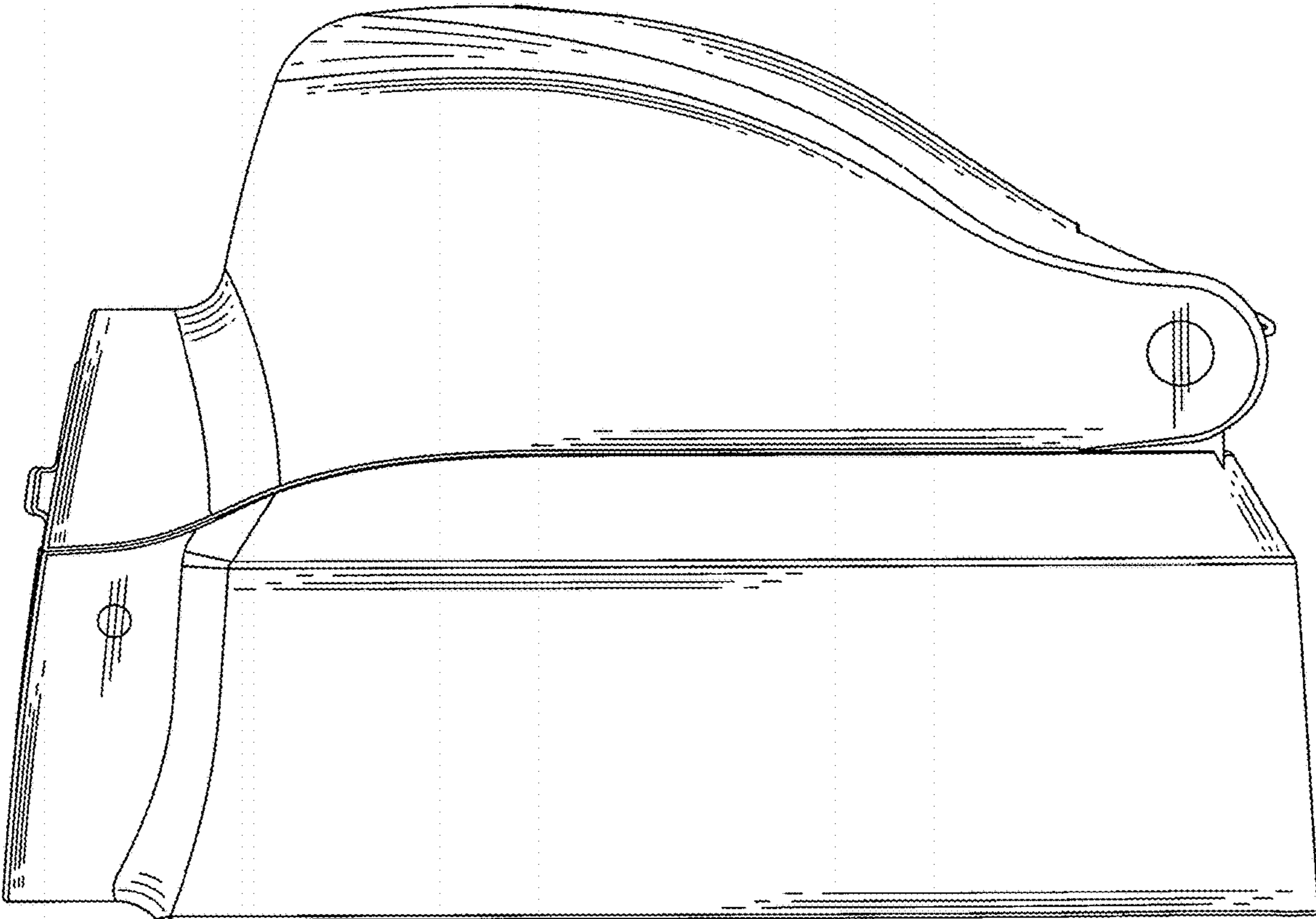


FIG. 5

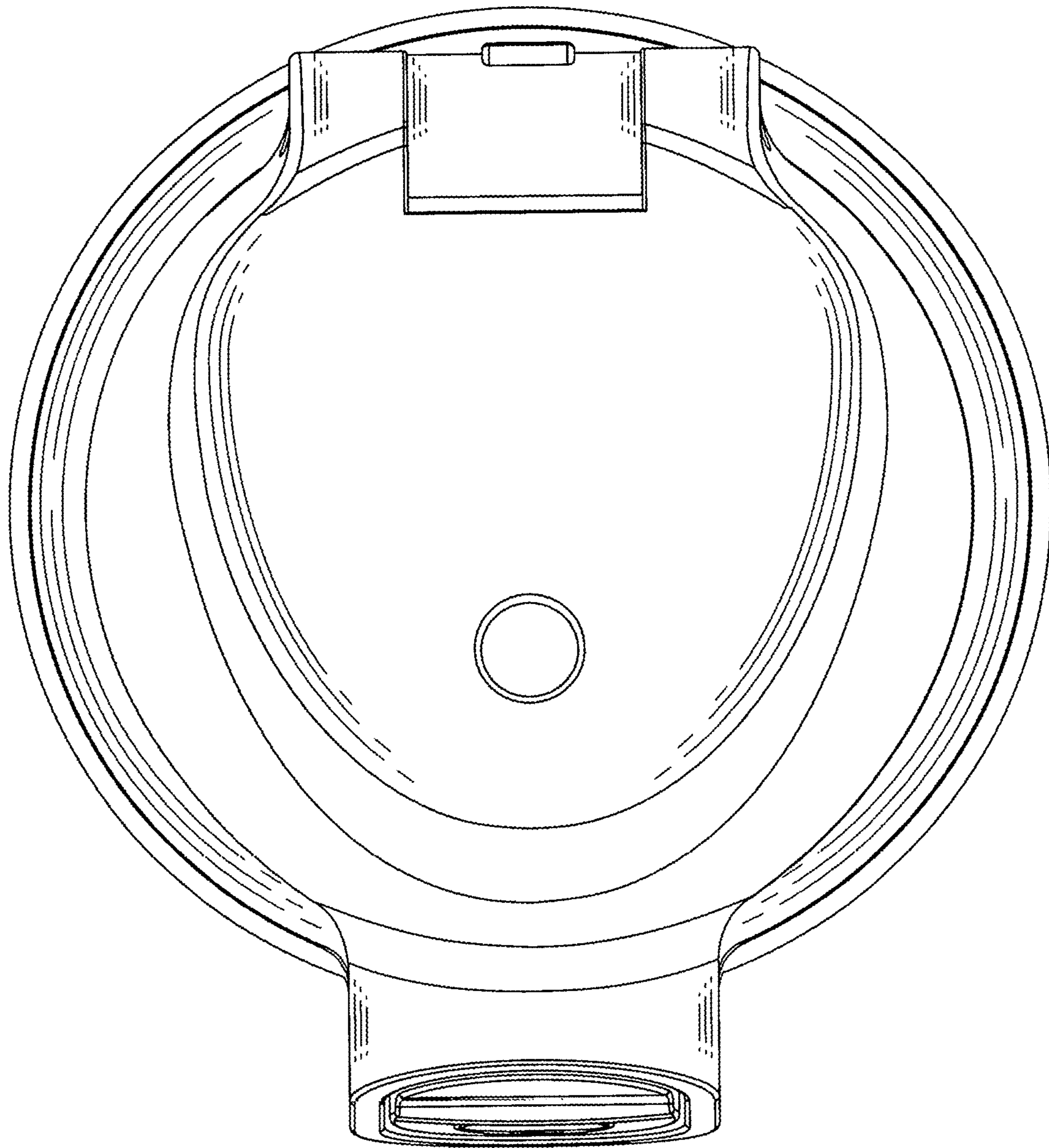


FIG. 6

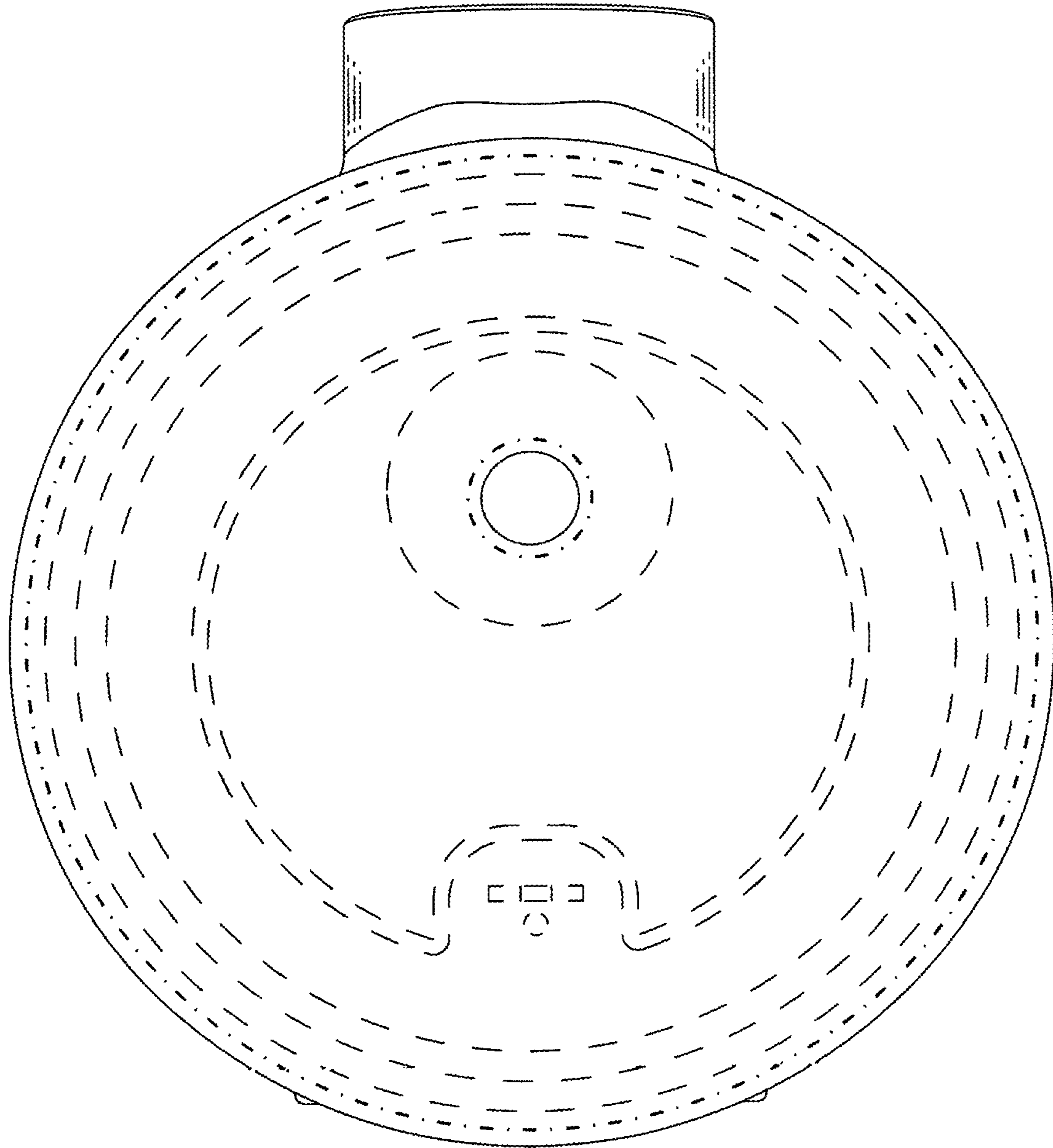


FIG. 7