



US00D853782S

(12) **United States Design Patent** (10) **Patent No.:** **US D853,782 S**
Conti et al. (45) **Date of Patent:** **** Jul. 16, 2019**

(54) **FOOD PROCESSOR**
(71) Applicant: **WHIRLPOOL CORPORATION**,
Benton Harbor, MI (US)
(72) Inventors: **Michael Conti**, St. Joseph, MI (US);
John W. McConnell, St. Joseph, MI
(US); **Mansour Oursanah**, Chicago,
IL (US)
(73) Assignee: **Whirlpool Corporation**, Benton
Harbor, MI (US)

2,284,155 A 5/1942 Landgraf
2,304,476 A 12/1942 Poplawski
2,305,288 A 12/1942 Cavalleri
2,409,067 A 10/1946 Reed
2,510,934 A 6/1950 Schildknecht
2,530,455 A 11/1950 Forss
2,537,852 A 1/1951 Peterson
2,585,255 A 2/1952 Kochner et al.
2,664,002 A 12/1953 Anderson
2,710,098 A 6/1955 Tilton
2,722,114 A 11/1955 Kochner
2,733,052 A 1/1956 Luther
2,794,627 A 6/1957 Rodwick
2,867,420 A 1/1959 Potts

(Continued)

(**) Term: **15 Years**

FOREIGN PATENT DOCUMENTS

(21) Appl. No.: **29/594,531**

DE 4414825 11/1995
DE 10210442 9/2003

(22) Filed: **Feb. 20, 2017**

(Continued)

(51) **LOC (11) Cl.** **31-00**

(52) **U.S. Cl.**
USPC **D7/384**

(58) **Field of Classification Search**

USPC D7/316, 323, 368, 372.373, 376,
D7/378-384, 386, 390, 393, 403, 412,
D7/602, 624, 626, 629, 665-666, 675,
D7/679, 693-694
CPC A47J 43/00; A47J 43/0722; A47J 43/0727;
A47J 43/075; A47J 43/046; A47J 43/044;
A47J 43/06; A47J 43/07; A21C 1/04;
A21C 1/02; A23N 1/00

See application file for complete search history.

(56) **References Cited**

U.S. PATENT DOCUMENTS

1,628,941 A 5/1927 White
1,826,242 A 10/1931 Dehuff
2,001,036 A 5/1935 Prince
2,070,545 A 2/1937 Gilbert
2,074,162 A 3/1937 Bowman
2,146,710 A 2/1939 Bloomfield

Primary Examiner — Barbara Fox
Assistant Examiner — Mehri F Bajoul
(74) *Attorney, Agent, or Firm* — Price Heneveld LLP

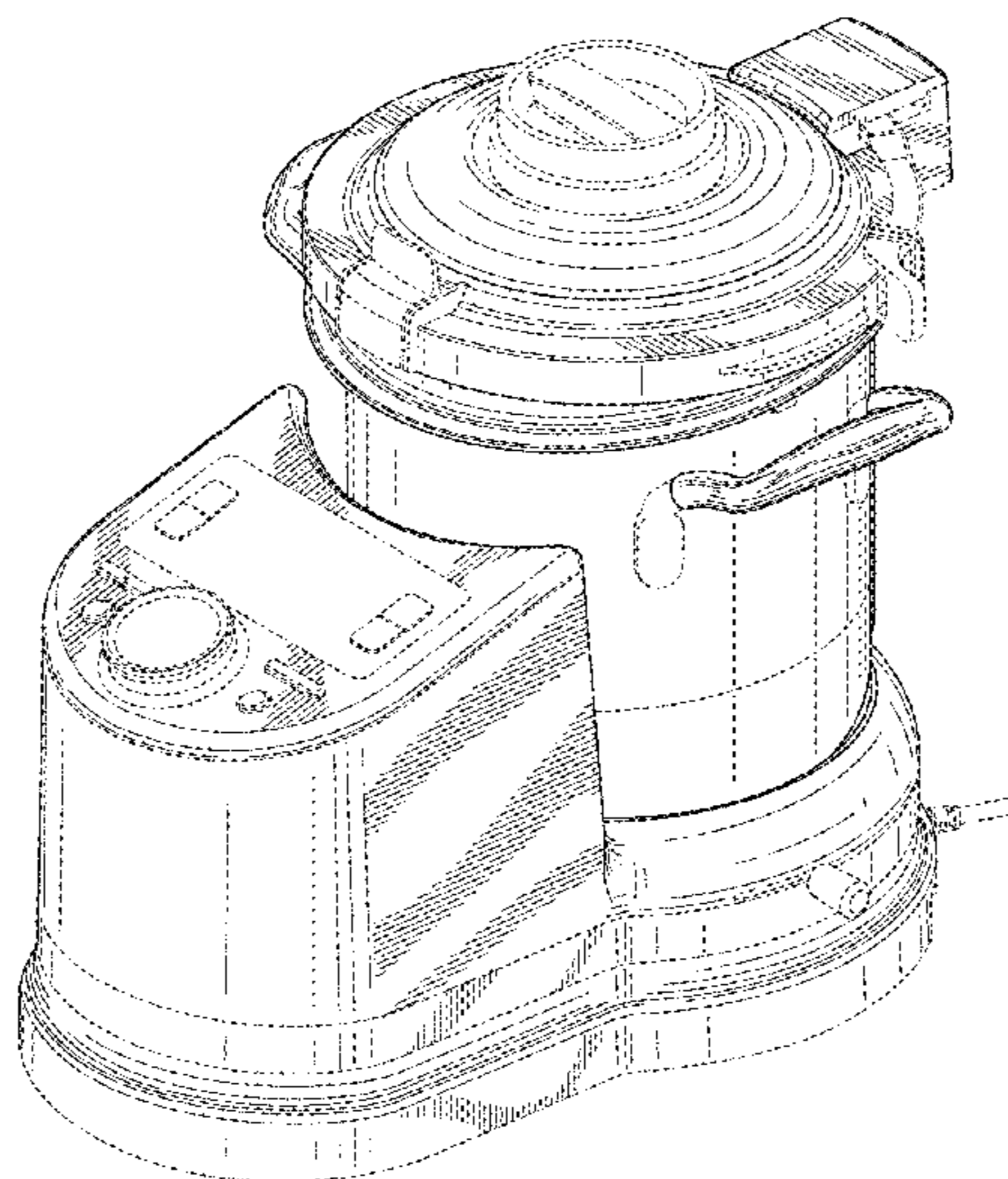
(57) **CLAIM**

The ornamental design for a food processor, as shown and described.

DESCRIPTION

FIG. 1 is a front perspective view of a food processor according to our design;
FIG. 2 is a front elevation view thereof;
FIG. 3 is a back elevation view thereof;
FIG. 4 is a right side elevation view thereof;
FIG. 5 is a left side elevation view thereof;
FIG. 6 is a top plan view thereof; and,
FIG. 7 is a bottom plan view thereof.
The broken lines shown in the drawings depict portions of the food processor that forms no part of the claimed design.

1 Claim, 7 Drawing Sheets



(56)

References Cited

U.S. PATENT DOCUMENTS

2,905,452 A	9/1959	Appleton	5,771,784 A	6/1998	Sham
2,946,299 A	7/1960	Clifford	5,816,136 A	10/1998	Stallings
2,992,715 A	7/1961	Blachly	5,823,675 A	10/1998	Myerly
3,171,636 A	3/1965	Barlow et al.	5,839,356 A	11/1998	Dornbush et al.
3,176,968 A	4/1965	Appleton	5,957,577 A	9/1999	Dickson et al.
3,180,627 A	4/1965	Belonga	D419,367 S *	1/2000	Kin D7/384
3,220,450 A	11/1965	Aronson, II et al.	6,019,238 A	2/2000	Kindig et al.
3,373,975 A	3/1968	Congdon	6,035,766 A	3/2000	Schirmer
3,493,215 A	2/1970	Edwards et al.	D427,016 S	6/2000	Kindig et al.
3,502,848 A	3/1970	Fink	6,113,966 A	9/2000	Belongia et al.
3,542,238 A	11/1970	Uhl	D432,864 S	10/2000	Kindig et al.
3,550,657 A	12/1970	Swanke	6,188,046 B1	2/2001	Barrow
3,612,126 A	10/1971	Emmons et al.	6,259,068 B1	7/2001	Barrow
3,635,147 A	1/1972	Lee	6,321,641 B1	11/2001	Wang
3,738,616 A	6/1973	Copeland et al.	6,373,031 B1	4/2002	Barrow
3,881,705 A	5/1975	Greenspan	D466,761 S	12/2002	Baerenrodt et al.
3,901,484 A	8/1975	Ernster	6,517,908 B1	6/2003	Bohannon et al.
3,960,369 A	6/1976	Sommer	6,609,455 B2	8/2003	Fouquet
4,078,481 A	3/1978	Wunderlin	6,669,359 B1	12/2003	Ancona et al.
4,087,053 A	5/1978	Voglesonger	D488,670 S *	4/2004	Chan D7/357
4,108,054 A	8/1978	Klocker et al.	6,805,312 B2	10/2004	Capp
4,137,834 A	2/1979	Uibel	7,063,009 B2	6/2006	Lin
4,213,569 A	7/1980	Amiot	D528,364 S	9/2006	Kolar et al.
4,216,917 A	8/1980	Clare et al.	D556,502 S *	12/2007	Rosa D7/357
4,234,605 A	11/1980	Takeuchi	D557,976 S	12/2007	Olson et al.
4,277,181 A	7/1981	Stahly et al.	7,314,308 B2	1/2008	Fallowes et al.
4,337,000 A	6/1982	Lehmann	7,318,666 B1	1/2008	Lin
4,362,219 A	12/1982	Carlsson	D566,457 S *	4/2008	Ryan D7/360
4,417,506 A	11/1983	Herbst et al.	D575,578 S *	8/2008	Ball D7/360
4,429,624 A	2/1984	Linn	D577,247 S *	9/2008	Barnes D7/354
4,487,509 A	12/1984	Boyce	D578,341 S	10/2008	Picozza et al.
4,512,522 A	4/1985	Williams	7,461,589 B2	12/2008	Sinton
4,649,810 A	3/1987	Wong	7,520,663 B1	4/2009	Kolar et al.
4,674,690 A	6/1987	Ponikwia et al.	D595,087 S	6/2009	Metaxatos et al.
4,693,610 A	9/1987	Weiss	D614,909 S *	5/2010	Lavy D7/354
4,714,203 A	12/1987	Williams	7,753,223 B2	7/2010	Boozer et al.
D294,328 S *	2/1988	Uesaka D7/368	7,775,705 B2	8/2010	Kozlowski et al.
D295,012 S	4/1988	Gelber	7,827,906 B1	11/2010	Carter
4,802,407 A	2/1989	Negri et al.	D637,862 S	5/2011	Fouquet
4,817,512 A	4/1989	Vangen	7,993,694 B2	8/2011	Goderiaux et al.
4,820,054 A	4/1989	Wong	8,087,603 B2	1/2012	Kolar et al.
4,854,717 A	8/1989	Crane et al.	8,122,821 B2	2/2012	Sands
4,878,627 A	11/1989	Otto	8,210,737 B2	7/2012	Wong
4,883,144 A	11/1989	Haushalter et al.	8,287,180 B2	10/2012	Kolar et al.
4,931,345 A	6/1990	Boettger et al.	D674,650 S *	1/2013	Day D7/354
4,938,125 A	7/1990	Wong	8,438,971 B1	5/2013	Thurley
4,942,807 A	7/1990	Wong	D698,595 S *	2/2014	Kunz D7/354
4,959,256 A	9/1990	Piera	D701,075 S *	3/2014	Wai D7/354
4,959,517 A	9/1990	Jump et al.	D702,993 S *	4/2014	Lownds D7/376
4,984,512 A	1/1991	Takahashi et al.	D707,079 S *	6/2014	Blaise D7/376
5,022,315 A	6/1991	Bertram et al.	8,752,481 B2	6/2014	Williams et al.
5,031,518 A	7/1991	Bordes	D708,007 S *	7/2014	Lazzer D7/376
5,041,324 A	8/1991	Siegling et al.	D717,099 S *	11/2014	Lavy D7/354
5,054,383 A	10/1991	Cho	RE45,308 E	12/2014	Kolar et al.
5,071,077 A	12/1991	Arroubi et al.	D728,301 S *	5/2015	Hack D7/368
5,074,201 A	12/1991	Takeyama et al.	RE45,655 E	8/2015	Kolar et al.
5,166,480 A	11/1992	Boettger et al.	D735,521 S *	8/2015	Carpenter D7/354
5,174,403 A	12/1992	Geiger	9,198,540 B2	12/2015	Carlson
5,228,381 A	7/1993	Virgilio et al.	D751,857 S *	3/2016	Kemker D7/376
5,272,961 A	12/1993	Campbell et al.	D757,485 S *	5/2016	Benoit D7/376
D345,078 S *	3/1994	Gotzsch D7/376	D758,126 S *	6/2016	Benoit D7/376
5,289,760 A	3/1994	Barradas	D764,857 S *	8/2016	McConnell D7/354
5,329,069 A	7/1994	Amsel et al.	D772,010 S *	11/2016	Dutruel D7/376
5,363,746 A	11/1994	Gordon	9,500,235 B2	11/2016	Kanning
5,402,710 A	4/1995	Chen	9,545,175 B2	1/2017	Audette
5,463,937 A	11/1995	Belongia et al.	9,635,981 B2	5/2017	Barnard et al.
5,469,782 A	11/1995	Wong	D788,517 S *	6/2017	Barquin D7/354
5,486,665 A	1/1996	Le Rouzic	D793,798 S *	8/2017	Carpenter D7/354
5,493,955 A	2/1996	Belongia et al.	D801,105 S *	10/2017	Sandberg D7/354
5,513,557 A	5/1996	Chiang	9,775,467 B2	10/2017	Sapire
5,533,797 A	7/1996	Gelber	D810,498 S *	2/2018	Westfall D7/368
5,567,049 A	10/1996	Beaudet et al.	2001/0032856 A1	10/2001	Casey
5,749,285 A	5/1998	Doerner et al.	2002/0027175 A1 *	3/2002	Capp A47J 43/046
5,758,963 A	6/1998	Xie et al.			241/199.12
5,768,978 A	6/1998	Doerner et al.	2002/0181322 A1	12/2002	Brunswick et al.
			2003/0081498 A1	5/2003	Buchsteiner
			2004/0001387 A1	1/2004	Hallar et al.
			2004/0065211 A1	4/2004	McNair
			2004/0145965 A1	7/2004	Chan et al.

(56)

References Cited

U.S. PATENT DOCUMENTS

2004/0146621 A1 7/2004 Kennedy et al.
 2005/0058018 A1 3/2005 Hooper et al.
 2005/0120888 A1 6/2005 Wang
 2005/0152215 A1 7/2005 Stuart et al.
 2005/0257692 A1 11/2005 Marcato
 2006/0044935 A1 3/2006 Benelli et al.
 2006/0117961 A1 6/2006 Guo
 2006/0163396 A1 7/2006 Kennedy et al.
 2006/0254429 A1 11/2006 Sinton
 2006/0286255 A1 12/2006 Xu et al.
 2008/0213447 A1 9/2008 Payen et al.
 2008/0271609 A1 11/2008 Pahl et al.
 2009/0090254 A1 4/2009 Herren
 2009/0120301 A1 5/2009 Severnak
 2009/0260523 A1 10/2009 Peng
 2009/0310436 A1 12/2009 Huang et al.
 2010/0012639 A1 1/2010 Merrell et al.
 2010/0028514 A1 2/2010 Goderiaux et al.
 2010/0107893 A1 5/2010 Goodrick-Meech
 2010/0116145 A1 5/2010 Tracy et al.
 2010/0147160 A1 6/2010 Oochi
 2010/0256804 A1 10/2010 Freeman
 2010/0308142 A1 12/2010 Krasznai et al.
 2011/0014342 A1 1/2011 Picozza et al.
 2011/0017750 A1 1/2011 Fortkamp
 2011/0063941 A1 3/2011 Seidler et al.
 2011/0185917 A1 8/2011 Goderiaux et al.
 2011/0214574 A1 9/2011 Chang
 2011/0232506 A1 9/2011 Cai
 2011/0248108 A1 10/2011 Carriere
 2011/0260023 A1* 10/2011 Braun A47J 36/12
 248/220.21
 2012/0042786 A1 2/2012 Fedell
 2012/0138716 A1 6/2012 Taguchi et al.
 2012/0181363 A1 7/2012 Huang
 2012/0286080 A1 11/2012 Sladeczek
 2013/0003490 A1 1/2013 Kemker et al.
 2013/0032038 A1 2/2013 Lee et al.
 2013/0074700 A1 3/2013 Cheung
 2013/0149444 A1 6/2013 Le Bris et al.
 2013/0233181 A1 9/2013 Allen et al.
 2013/0327232 A1 12/2013 Charles et al.
 2013/0334349 A1 12/2013 Carden

2014/0102951 A1 4/2014 Riha et al.
 2014/0134305 A1 5/2014 Wolfe
 2014/0217211 A1 8/2014 Sanford
 2014/0263340 A1 9/2014 Audette
 2014/0299691 A1 10/2014 Zakowski
 2015/0000534 A1 1/2015 Hager et al.
 2015/0014227 A1 1/2015 Riha, IV et al.
 2015/0098299 A1 4/2015 Sapire
 2015/0201787 A1 7/2015 Holzbauer et al.
 2015/0238042 A1 8/2015 Tonelli et al.
 2015/0282672 A1 10/2015 Baker
 2016/0287011 A1 10/2016 Deshayes et al.
 2016/0287018 A1 10/2016 Thomas et al.
 2016/0296899 A1 10/2016 Hoare et al.
 2017/0340169 A1 11/2017 Brunner

FOREIGN PATENT DOCUMENTS

DE 202010012730 U1 12/2010
 DE 202011050875 12/2012
 DE 102012104639 1/2013
 DE 102012101775 9/2013
 EP 0556467 8/1993
 EP 893087 1/1999
 EP 0963726 12/1999
 EP 1430824 A1 6/2004
 EP 1479947 A1 11/2004
 EP 1616514 1/2006
 EP 2071989 5/2008
 EP 1731068 12/2008
 EP 2134221 12/2009
 EP 2269491 A1 1/2011
 EP 2355681 8/2011
 EP 2359696 8/2011
 EP 2394547 12/2011
 EP 2508110 A1 10/2012
 EP 2529650 12/2012
 FR 2447703 8/1980
 FR 2939238 A1 6/2010
 WO 9529615 11/1995
 WO 2008027255 3/2008
 WO 2008142284 11/2008
 WO 2013131731 9/2013
 WO 2013140056 9/2013

* cited by examiner

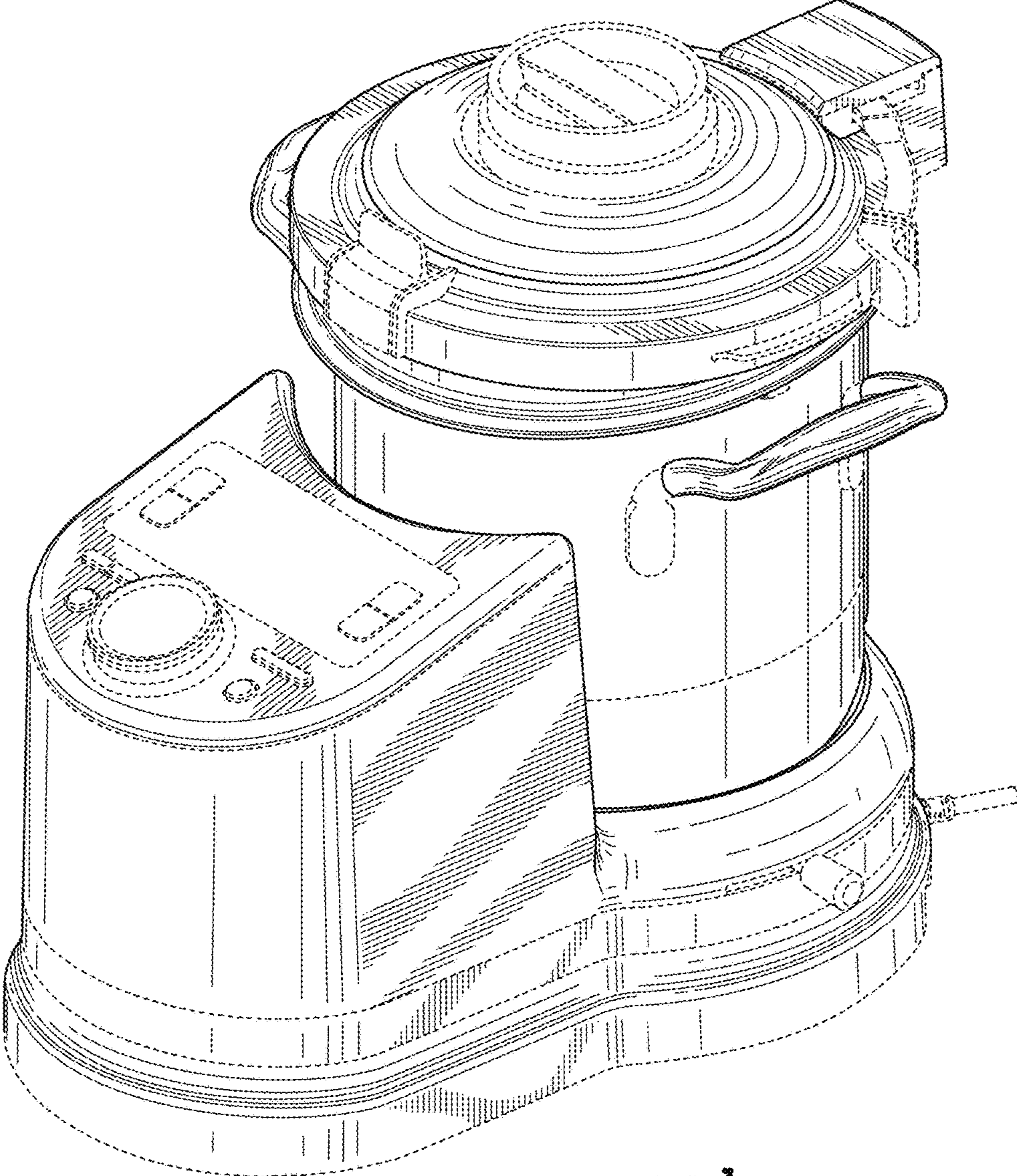


FIG. 1

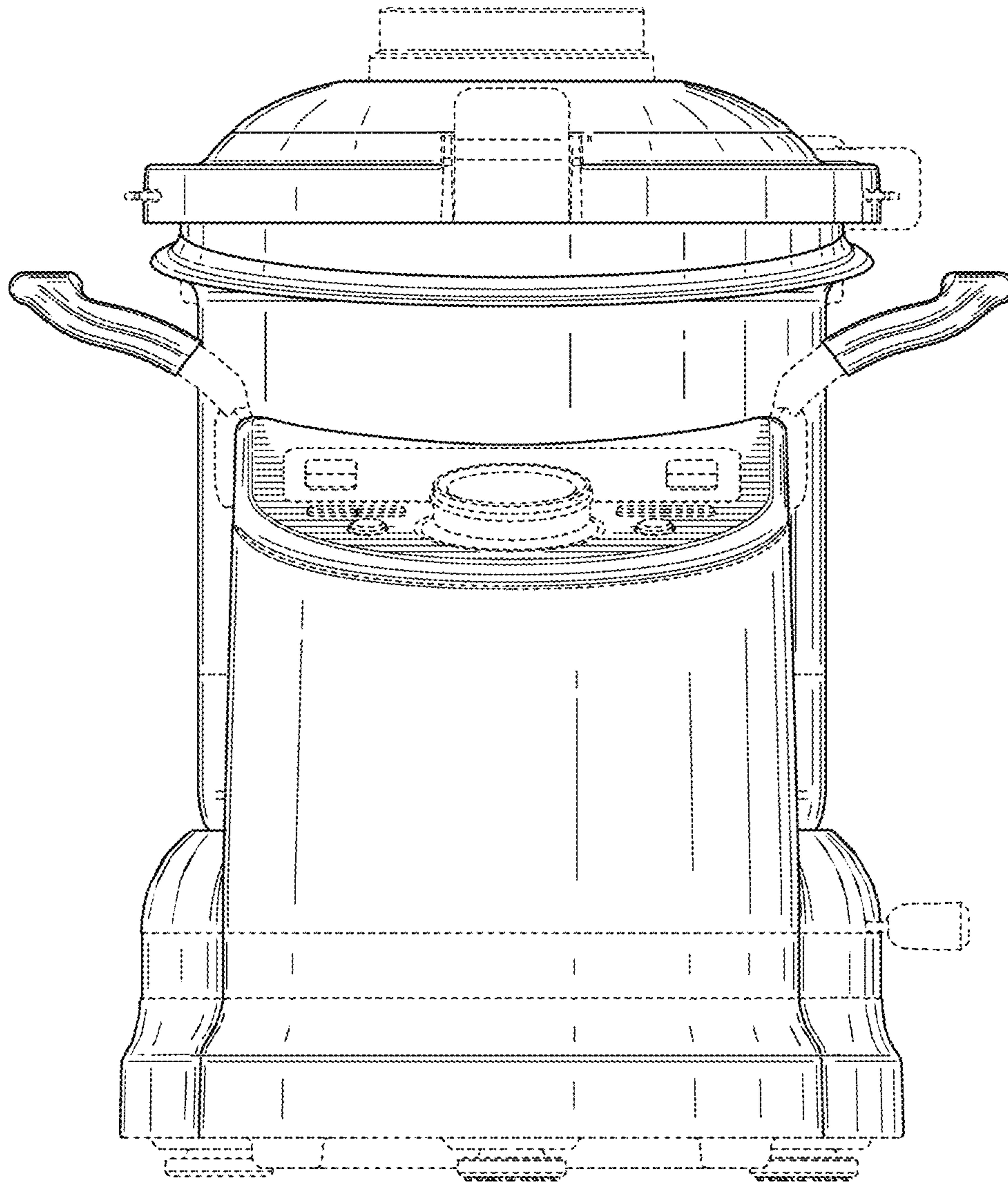


FIG. 2

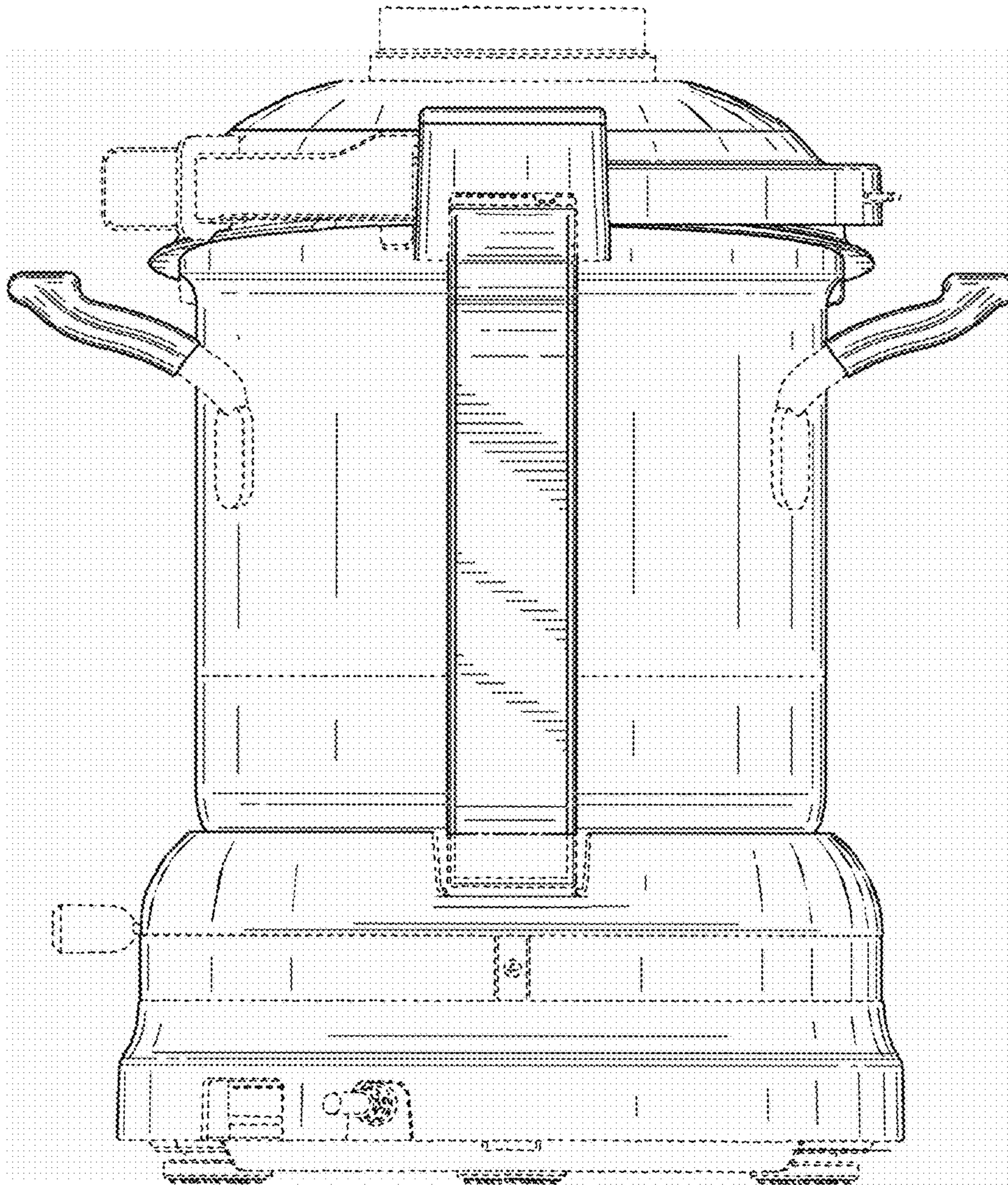


FIG. 3

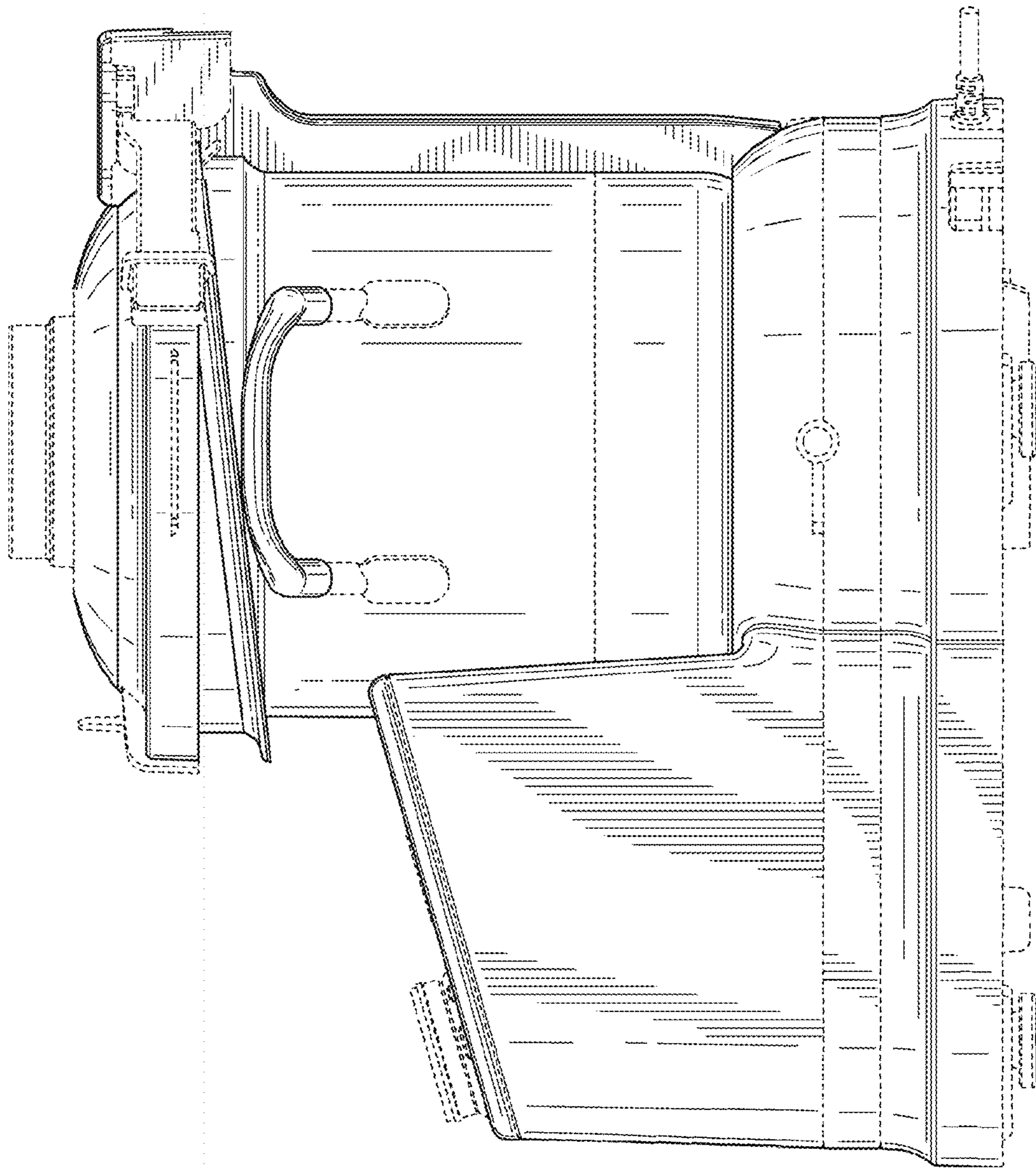


FIG. 4

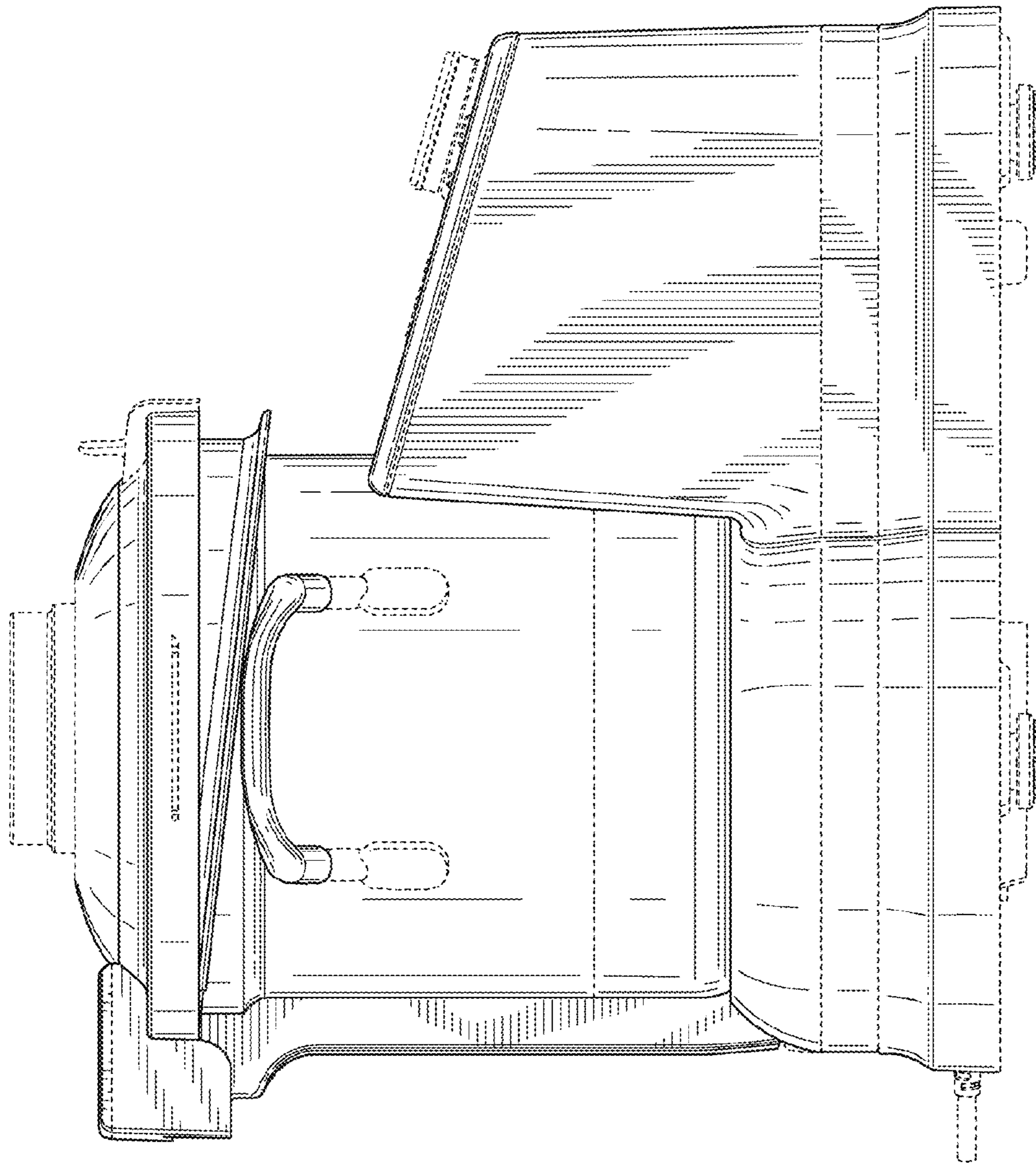


FIG. 5

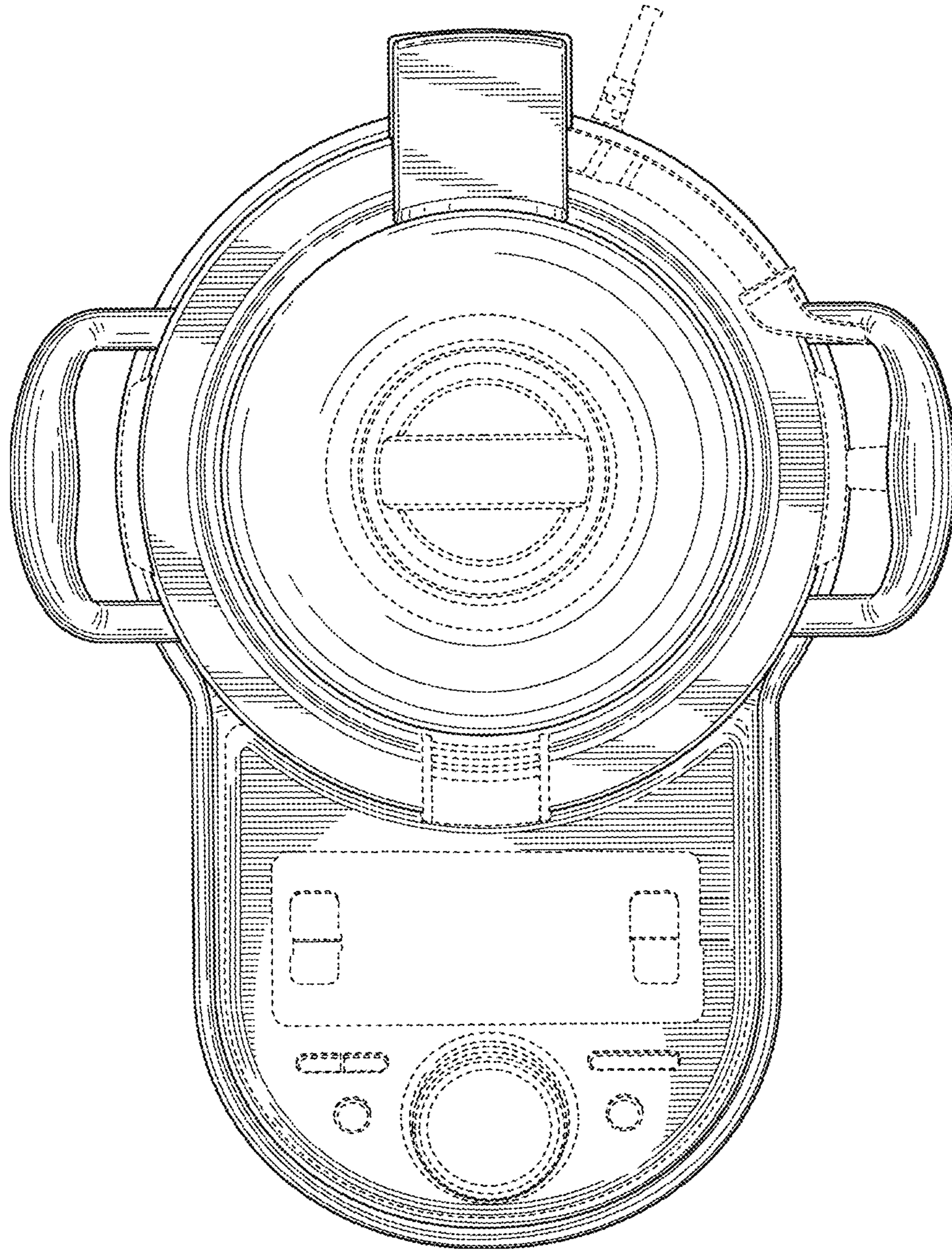


FIG. 6

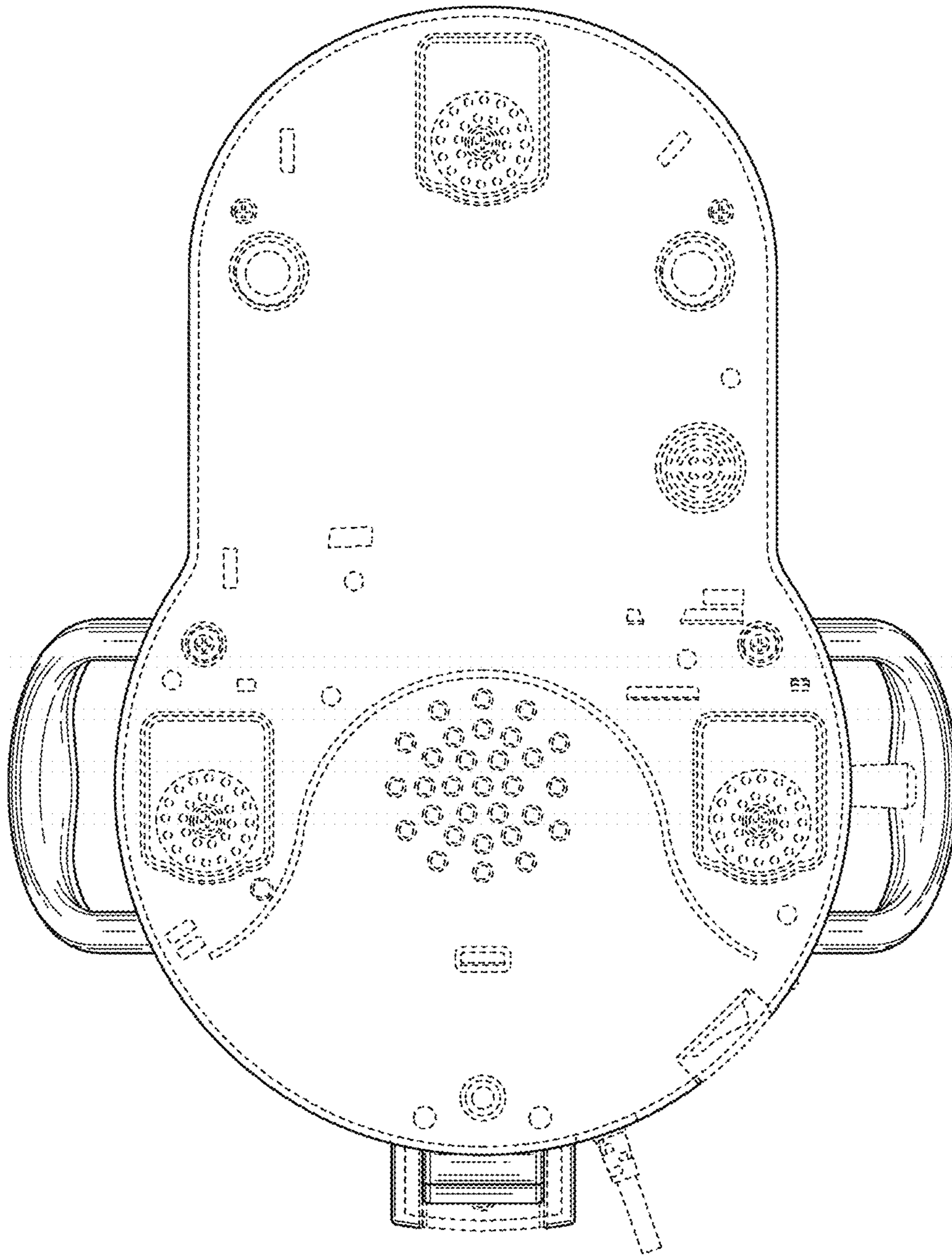


FIG. 7