



US00D853781S

(12) **United States Design Patent** (10) **Patent No.:** **US D853,781 S**
Pagels (45) **Date of Patent:** **** Jul. 16, 2019**

(54) **PART OF FOOD INDUSTRY MACHINE**

(56) **References Cited**

(71) Applicant: **NORDISCHER MASCHINENBAU
RUD. BAADER GMBH + CO. KG,**
Lübeck (DE)

(72) Inventor: **Mirko Pagels,** Lübeck (DE)

(73) Assignee: **NORDISCHER MASCHINENBAU
RUD. BAADER GMBH + CO. KG,**
Luebeck (DE)

(**) Term: **15 Years**

(21) Appl. No.: **35/504,772**

(22) Filed: **Mar. 22, 2018**

(80) **Hague Agreement Data**

Int. Filing Date: **Mar. 22, 2018**

Int. Reg. No.: **DM/100545**

Int. Reg. Date: **Mar. 22, 2018**

Int. Reg. Pub. Date: **Apr. 20, 2018**

(30) **Foreign Application Priority Data**

Sep. 26, 2017 (EM) 004372365-0002

(51) **LOC (11) Cl.** **31-00**

(52) **U.S. Cl.**
USPC **D7/381; D8/20**

(58) **Field of Classification Search**
USPC D7/368, 381-385, 376-380, 372-375,
D7/369-371, 665-666, 387, 412-415;
D8/98, 20, 105; D15/17; D22/149
CPC A22C 25/00; A22C 25/14; A22C 25/16;
A22C 21/00; A22C 11/00

See application file for complete search history.

U.S. PATENT DOCUMENTS

D242,980 S *	1/1977	Fuller	D8/20
D245,831 S *	9/1977	West	D8/20
D435,408 S *	12/2000	Panfil	D8/105
D603,232 S *	11/2009	Gutowski	D8/20
D618,075 S *	6/2010	Huang	D8/20
D623,911 S *	9/2010	Allem	D8/20
D713,927 S *	9/2014	Albanese	D22/149
D759,126 S *	6/2016	Johnson	A01D 34/736 D15/17
D764,247 S *	8/2016	McQuillan	D8/20
D832,072 S *	10/2018	McGinnis	D8/98
D837,267 S *	1/2019	Wong	D15/17
2012/0149290 A1 *	6/2012	Jurs	A22C 25/16 452/162
2014/0012540 A1 *	1/2014	Jurs	A22C 17/0086 702/173

* cited by examiner

Primary Examiner — Sheryl Lane

Assistant Examiner — Nicole C Shiflet

(74) *Attorney, Agent, or Firm* — Greenblum & Bernstein,
P.L.C.

(57) **CLAIM**

The ornamental design for a part of food industry machine,
as shown and described.

DESCRIPTION

1. Part of food industry machine

1.1 : Perspective

1.2 : Top

1.3 : Right Side

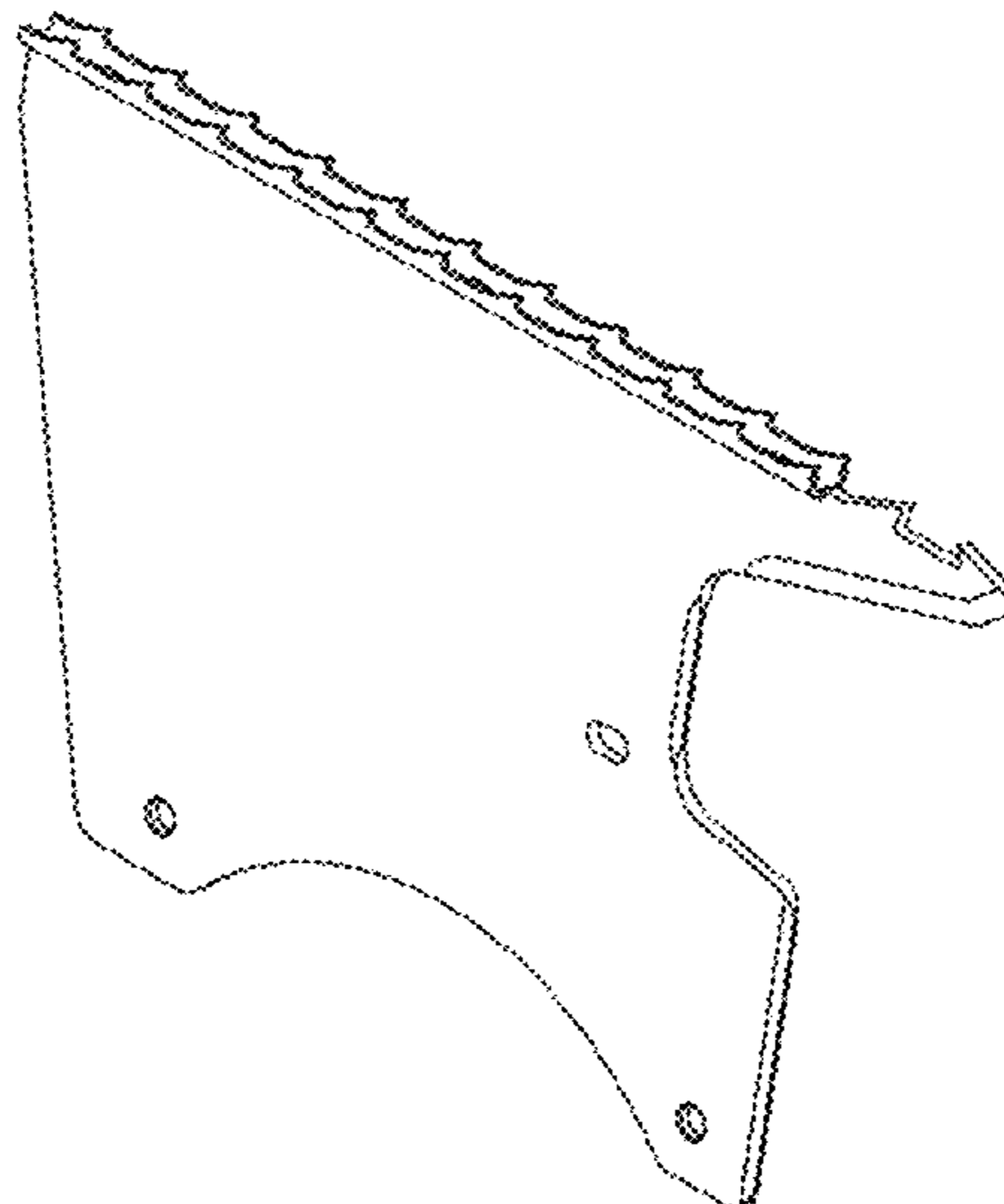
1.4 : Rear

1.5 : Front

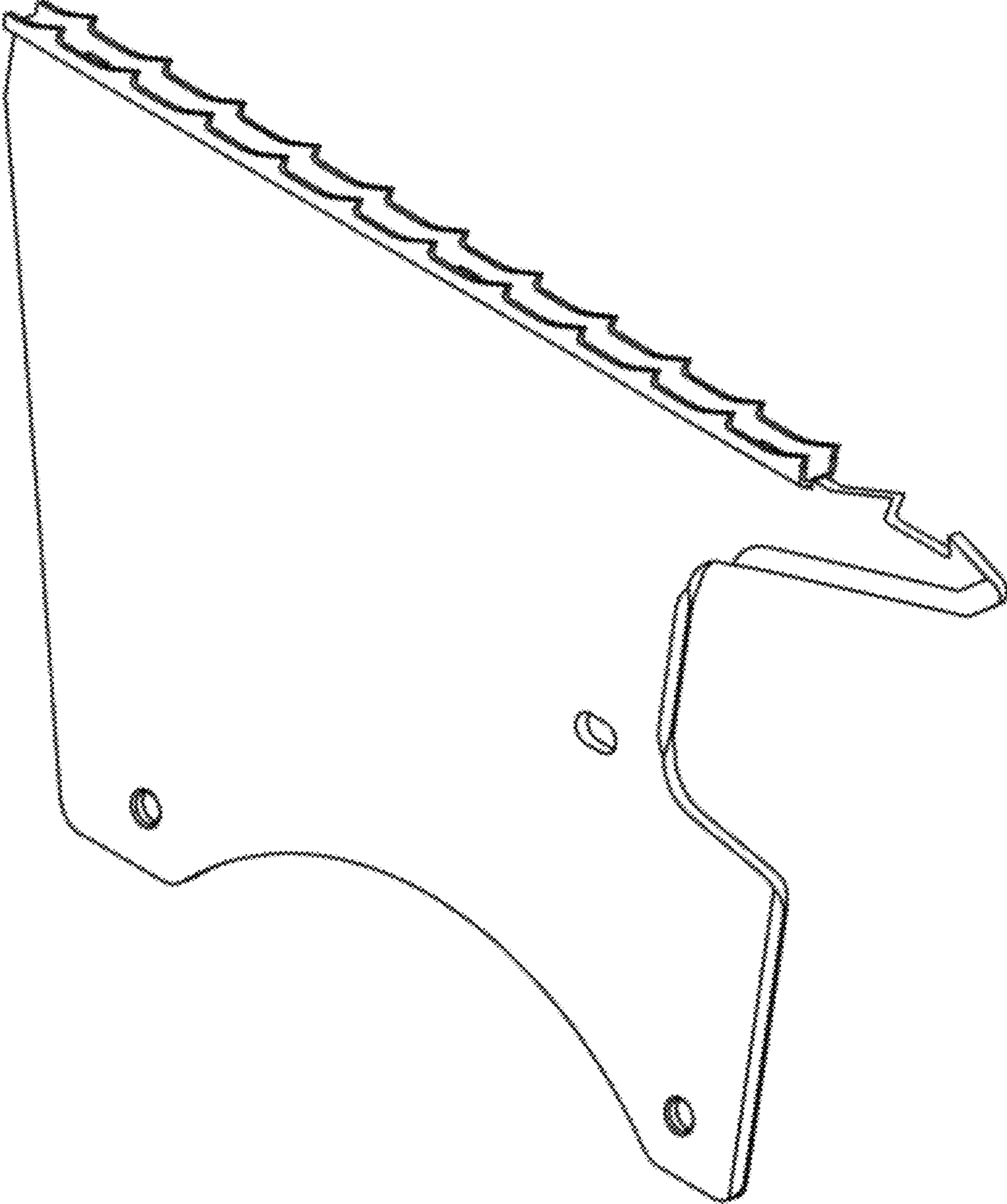
1.6 : Left Side

1.7 : Bottom

1 Claim, 7 Drawing Sheets



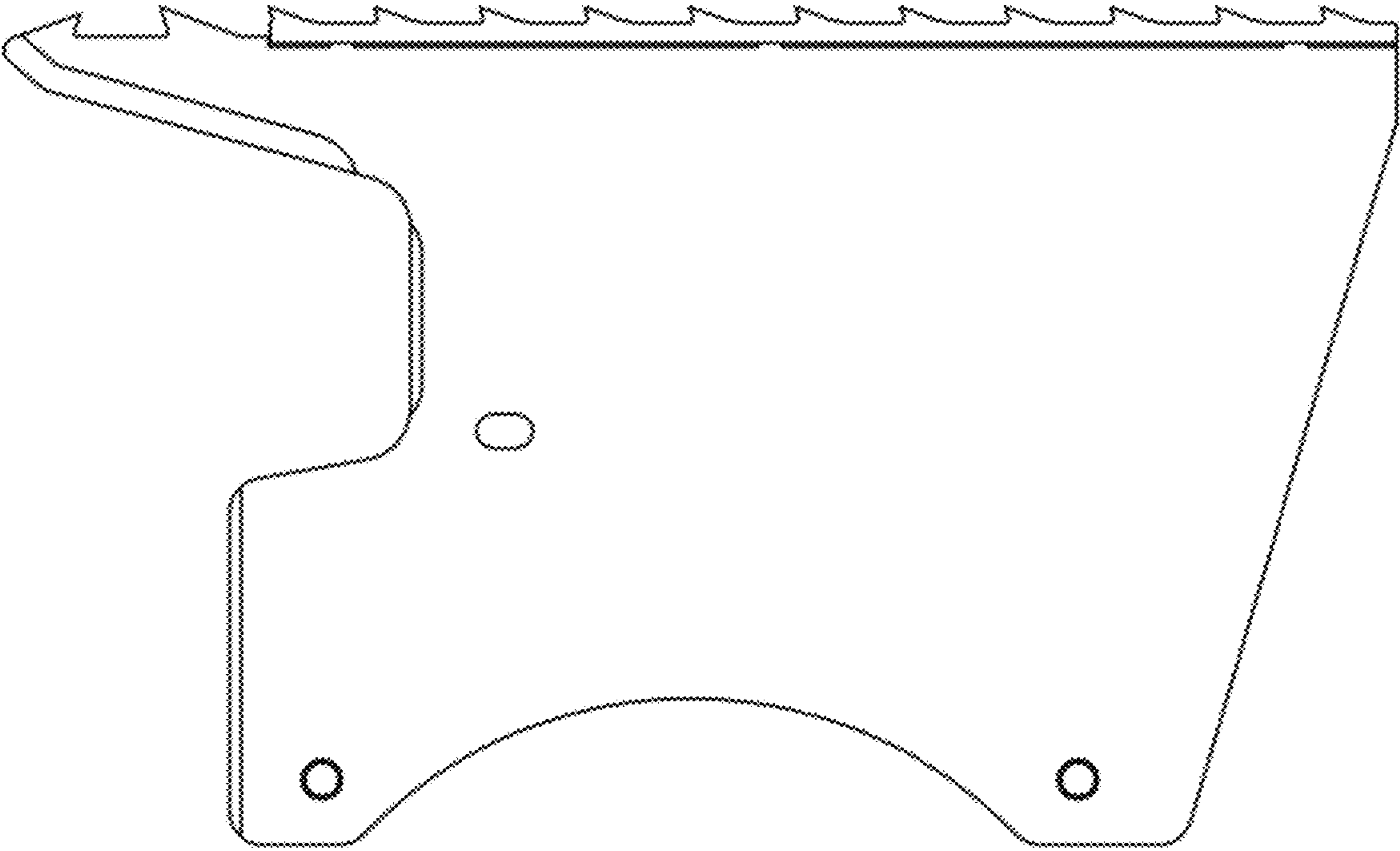
1.1



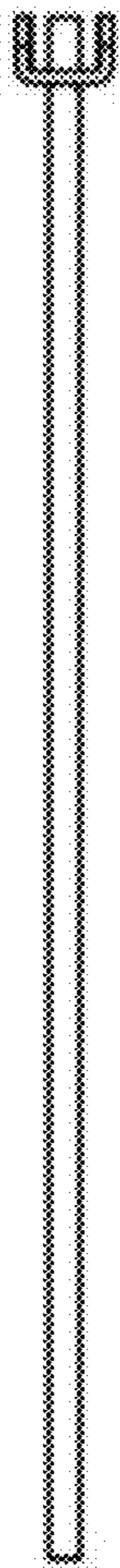
1.2



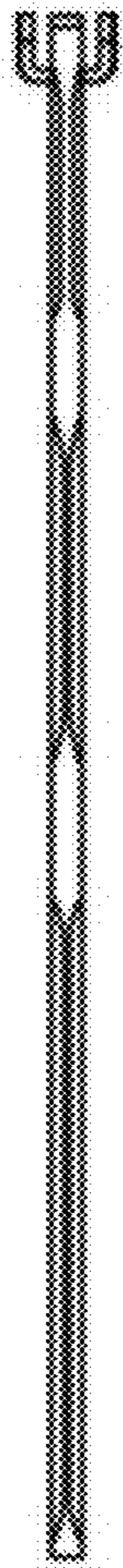
1.3



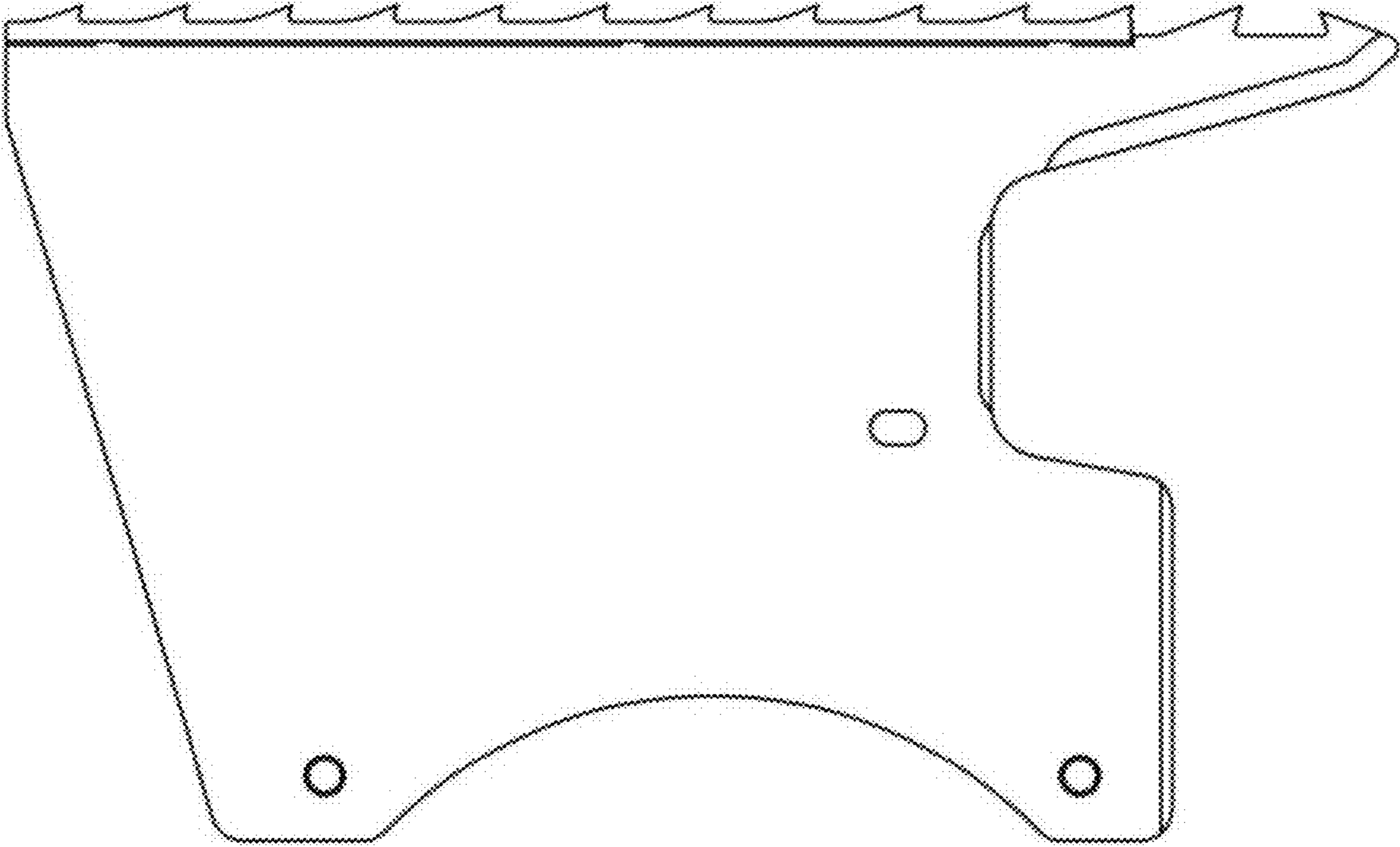
1.



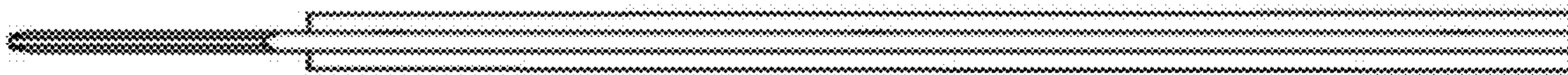
1.



1.6



1.7



UNITED STATES PATENT AND TRADEMARK OFFICE
CERTIFICATE OF CORRECTION

PATENT NO. : D853,781 S
APPLICATION NO. : 35/504772
DATED : July 16, 2019
INVENTOR(S) : Marko Pagels

Page 1 of 1

It is certified that error appears in the above-identified patent and that said Letters Patent is hereby corrected as shown below:

On the Title Page

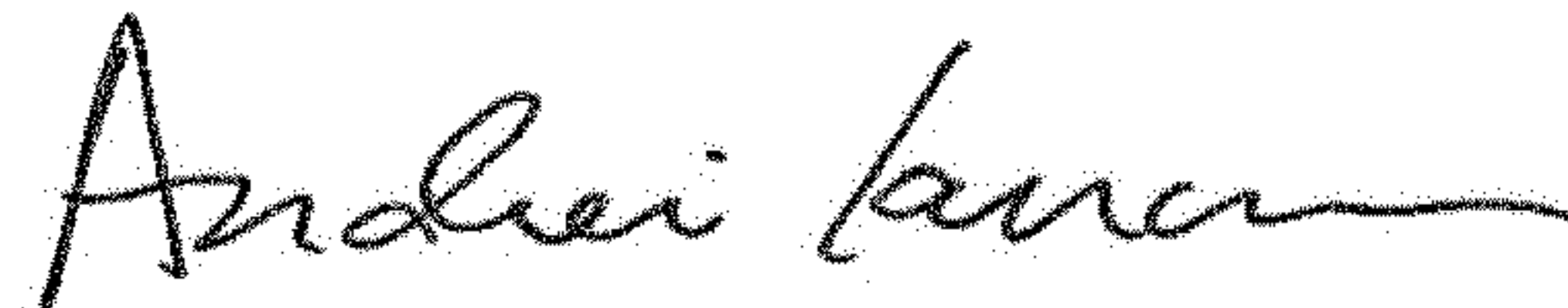
Column 1, Item (73) Assignee, which reads:

“(73) Assignee: **NORDISCHER MASCHINENBAU RUD. BAADER
GMBH + CO. KG,**
Luebeck (DE)”

Should read:

--“(73) Assignee: **NORDISCHER MASCHINENBAU RUD. BAADER
GMBH + CO. KG,**
Lübeck (DE)”--

Signed and Sealed this
Eighteenth Day of August, 2020



Andrei Iancu
Director of the United States Patent and Trademark Office