



US00D853779S

(12) **United States Design Patent**
Lee

(10) **Patent No.:** **US D853,779 S**
(45) **Date of Patent:** **** Jul. 16, 2019**

(54) **INFRARED HEATING COOKER**
(71) Applicant: **ZAIGLE CO., LTD.**, Seoul (KR)
(72) Inventor: **Jin Hee Lee**, Seoul (KR)
(73) Assignee: **ZAIGLE CO., LTD.**, Seoul (KR)
(**) Term: **15 Years**
(21) Appl. No.: **29/595,640**
(22) Filed: **Mar. 1, 2017**

(30) **Foreign Application Priority Data**
Sep. 6, 2016 (KR) 30-2016-0043659
(51) **LOC (11) Cl.** **07-02**
(52) **U.S. Cl.**
USPC **D7/362**
(58) **Field of Classification Search**
USPC D7/354-365, 367, 402-404, 407-409,
D7/417, 339, 346, 347, 332-334
CPC A47J 47/02; A47J 47/14; A47J 2027/043;
A47J 27/04; A47J 27/05; A47J 27/17;
A47J 27/16; A47J 33/00; A23L 5/13;
B65D 39/00; B65D 43/00; B65D 43/02;
B65D 43/14; F24C 15/10; F24C 15/101;
F24C 15/102; F24C 15/107; F24C
15/108; F24C 15/26; F24C 3/14; F24C
1/16; F24C 5/20; F23D 14/06; F23D
14/38; F23D 14/56; F23D 14/465; F23D
14/52; F23D 2900/14062; F23D
2900/14063; H05B 6/02; H05B 6/06;
H05B 6/062; H05B 6/12; H05B 6/1209;
H05B 2213/07
See application file for complete search history.

(56) **References Cited**
U.S. PATENT DOCUMENTS
D99,126 S * 3/1936 Huntington 126/25 R
D179,958 S * 3/1957 Vincent D7/332

D189,682 S * 1/1961 Bloomfield D7/355
D192,625 S * 4/1962 Keal D7/334
D212,268 S * 9/1968 Williams D7/332
D214,297 S * 5/1969 Ihde D23/350
D219,492 S * 12/1970 McClaren D7/332
D224,256 S * 7/1972 Ocuin D7/355
D229,625 S * 12/1973 Thomas D7/355
D233,585 S * 11/1974 Thomas D7/337
D374,371 S * 10/1996 Hall McDonald 99/340
D402,499 S * 12/1998 Carroll D7/332
D443,462 S * 6/2001 Pai D7/332
6,363,925 B1 * 4/2002 Chavana, Jr. A47J 37/0731
126/25 A
D463,196 S * 9/2002 Hsu D7/332

(Continued)

Primary Examiner — Barbara Fox
Assistant Examiner — Messina L Smith
(74) *Attorney, Agent, or Firm* — Kile Park Reed &
Houtteman PLLC

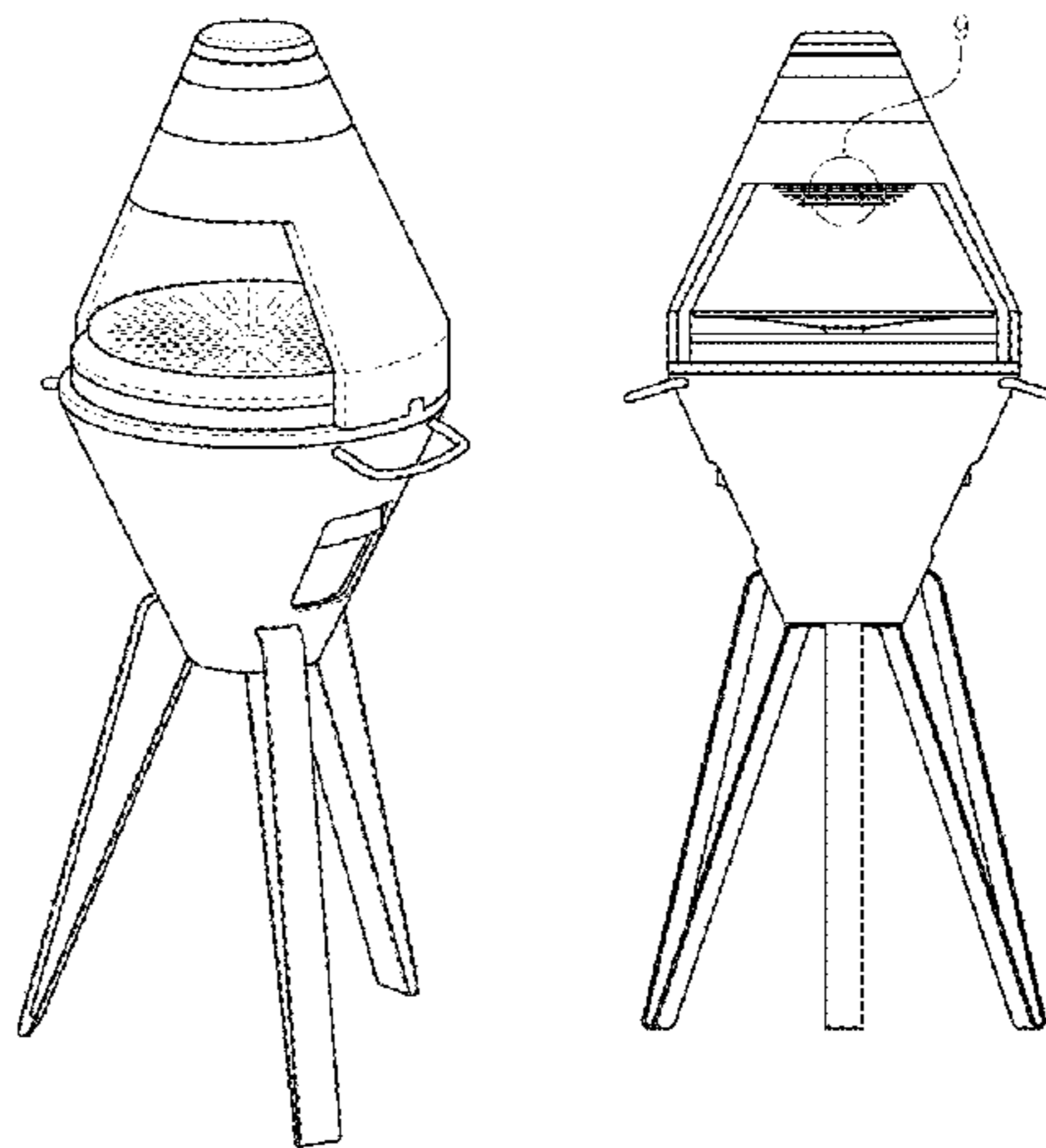
(57) **CLAIM**

I claim, the ornamental design for an infrared heating cooker, as shown and described.

DESCRIPTION

FIG. 1 is a top and front perspective view of an infrared heating cooker, showing my new design;
FIG. 2 is a front view thereof;
FIG. 3 is a rear view thereof;
FIG. 4 is a left side view thereof;
FIG. 5 is a right side view thereof;
FIG. 6 is a top view thereof;
FIG. 7 is a bottom view thereof;
FIG. 8 is a reference view showing a use of the infrared heating cooker to which a detachable cooking pan is attached; and,
FIG. 9 is an enlarged view of a portion of the infrared heating cooker shown in FIG. 2.
The broken line showing of the tray in FIG. 8 depicts environment and forms no part of the claimed design.

1 Claim, 8 Drawing Sheets



(56)

References Cited

U.S. PATENT DOCUMENTS

D592,442 S * 5/2009 Rutter D7/334
D662,007 S * 6/2012 Dickman D11/149
D668,096 S * 10/2012 Simms, II D7/334
D714,090 S * 9/2014 Harper D7/334
D764,862 S * 8/2016 Lee D7/352
D792,732 S * 7/2017 Kamil D34/39
D792,733 S * 7/2017 Benson D7/334
D800,490 S * 10/2017 Case D7/332
D818,305 S * 5/2018 Lee D7/362
D822,423 S * 7/2018 Demars D7/334
2004/0035845 A1 * 2/2004 Moon A47J 37/0623
219/400
2016/0135645 A1 * 5/2016 Walters A47J 37/0786
126/25 R

* cited by examiner

FIG. 1

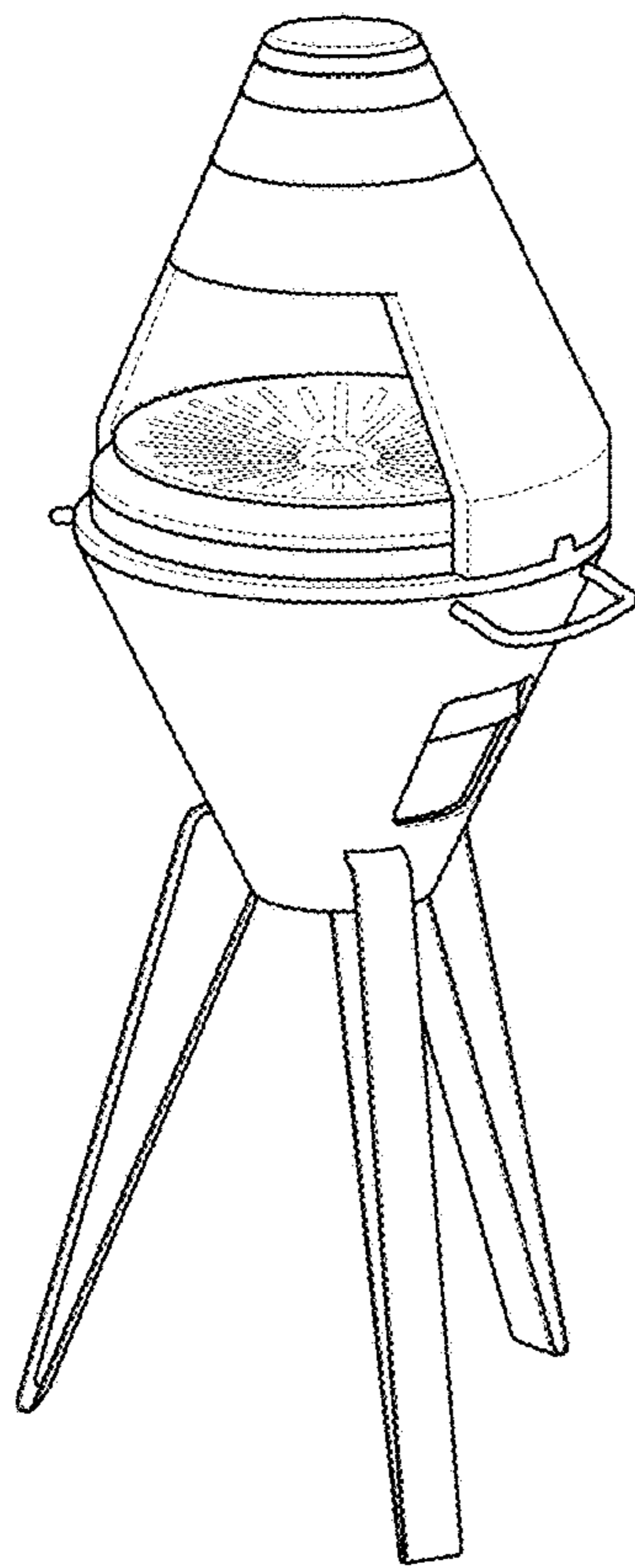


FIG. 2

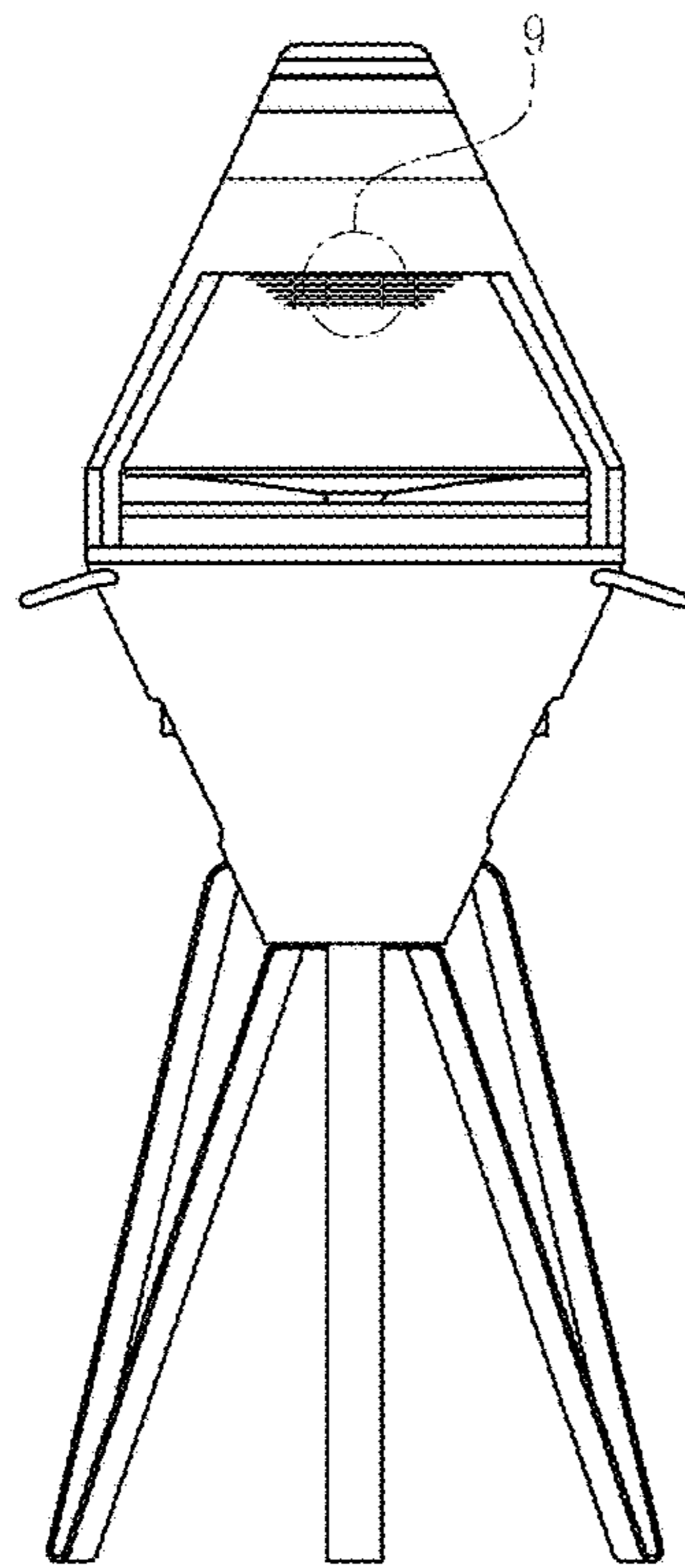


FIG. 3

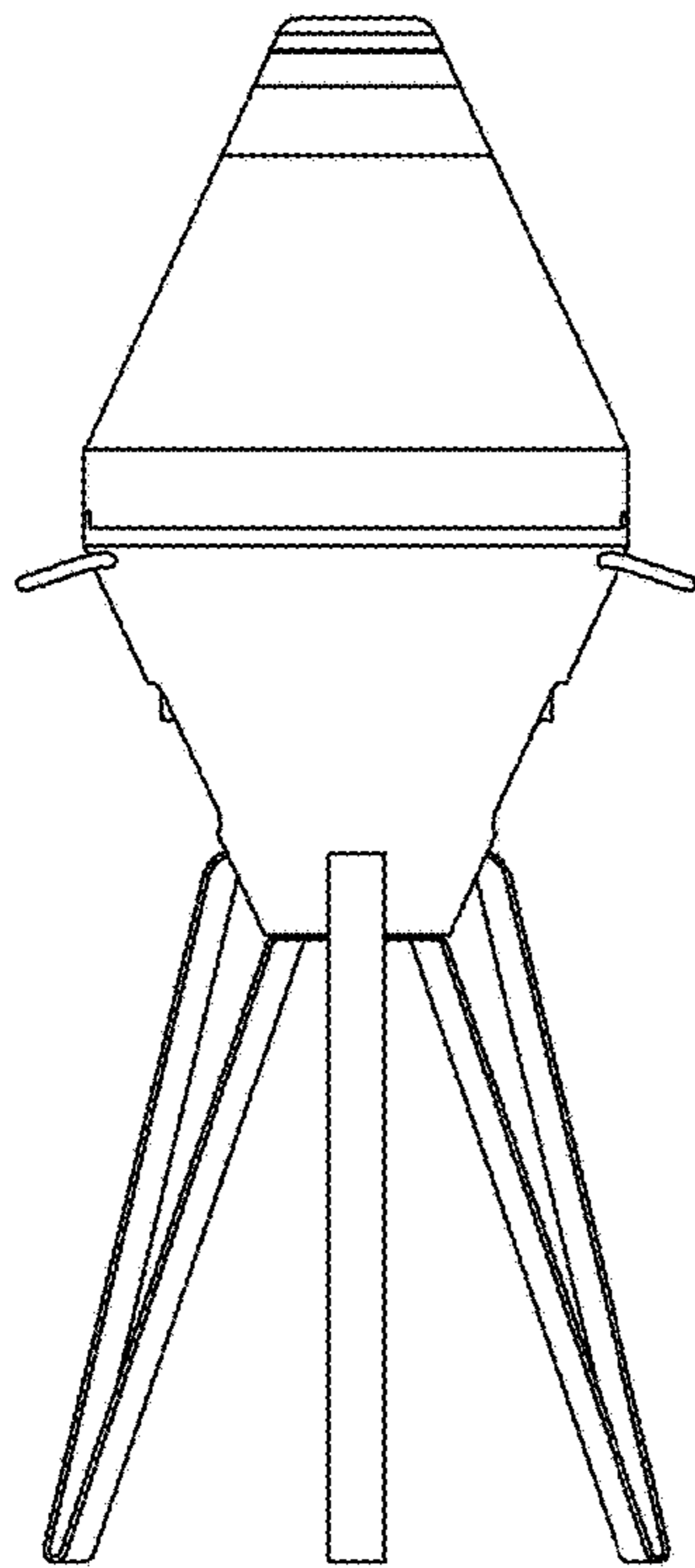


FIG. 4

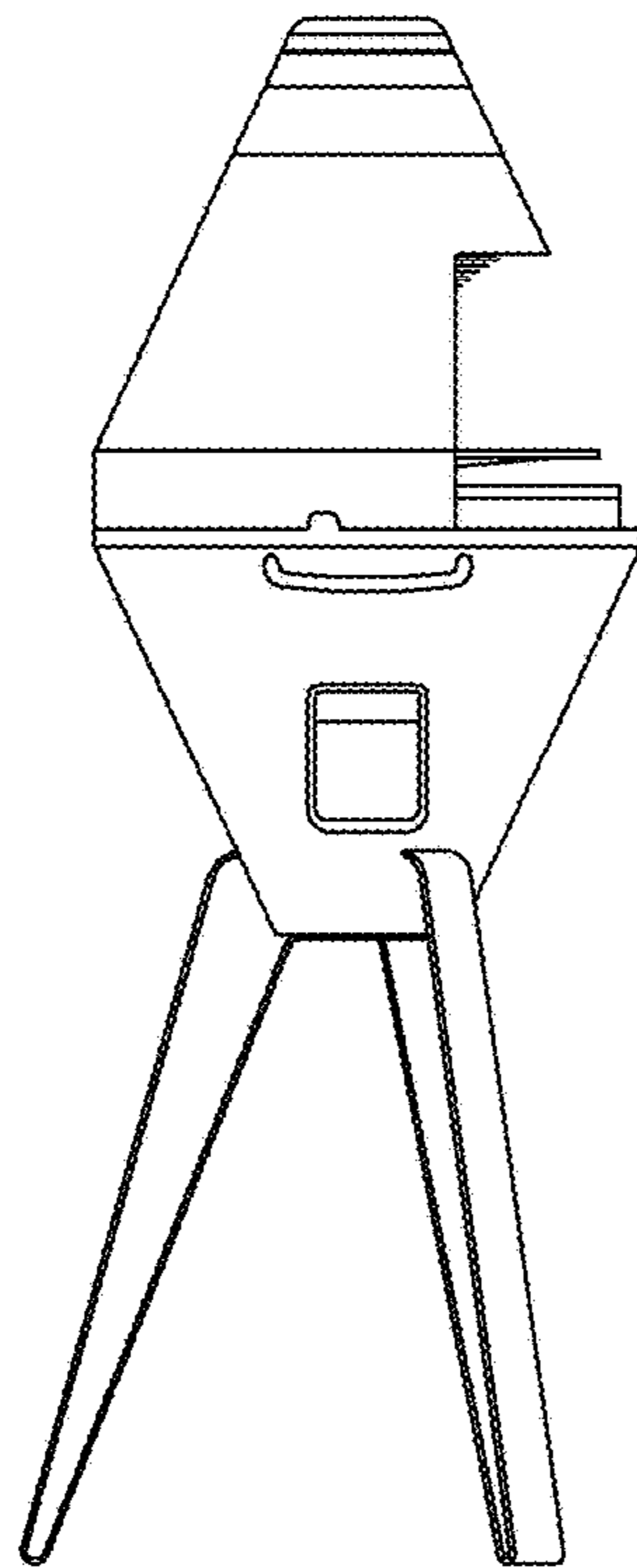


FIG. 5

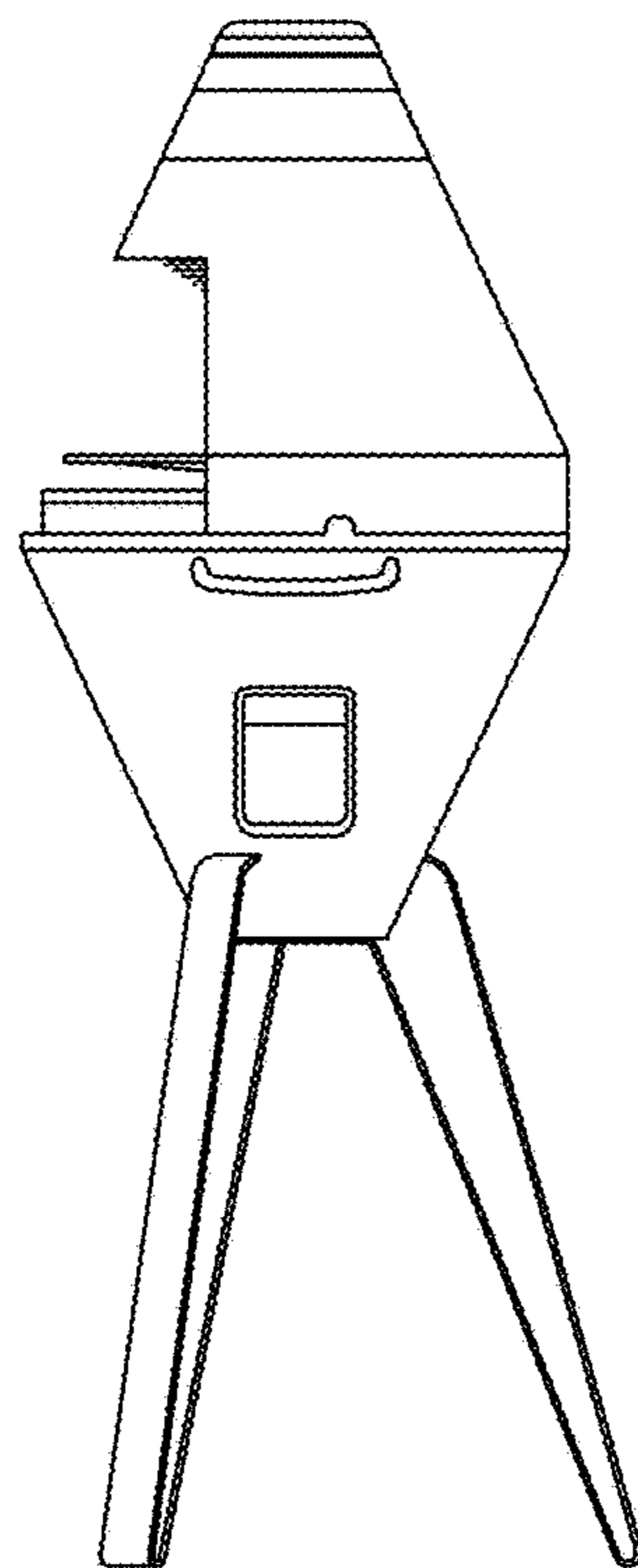


FIG. 6

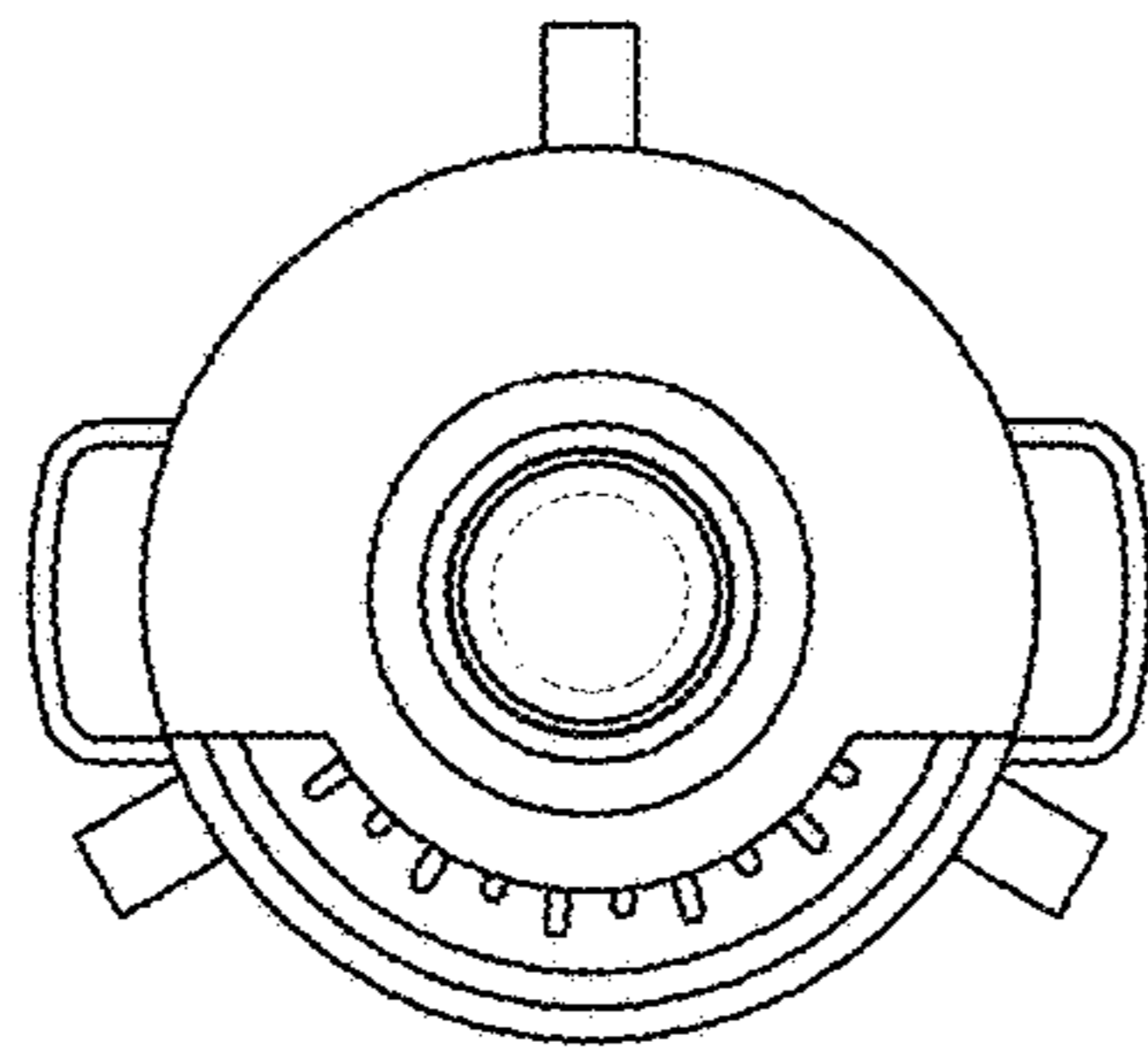


FIG. 7

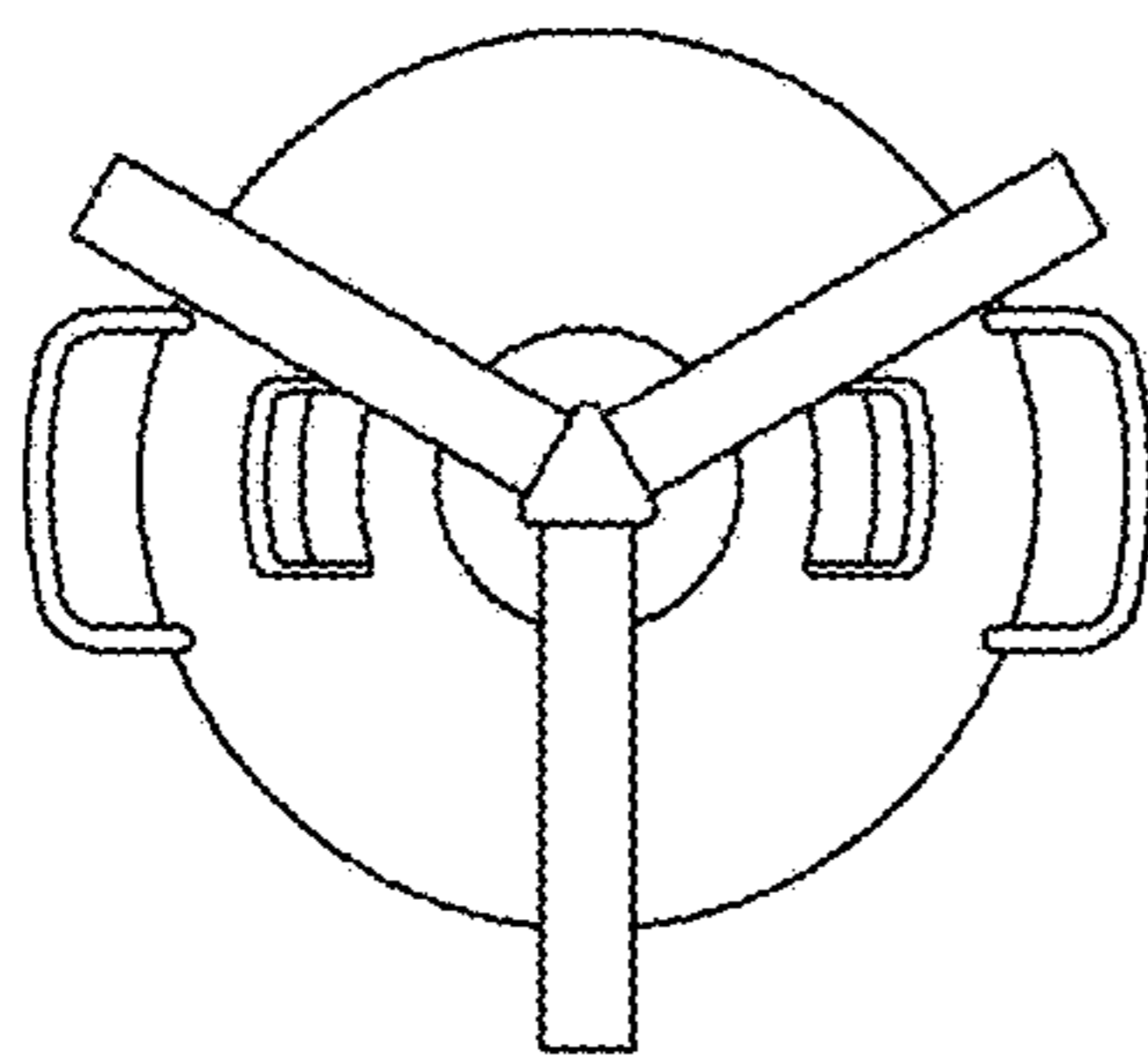


FIG. 8

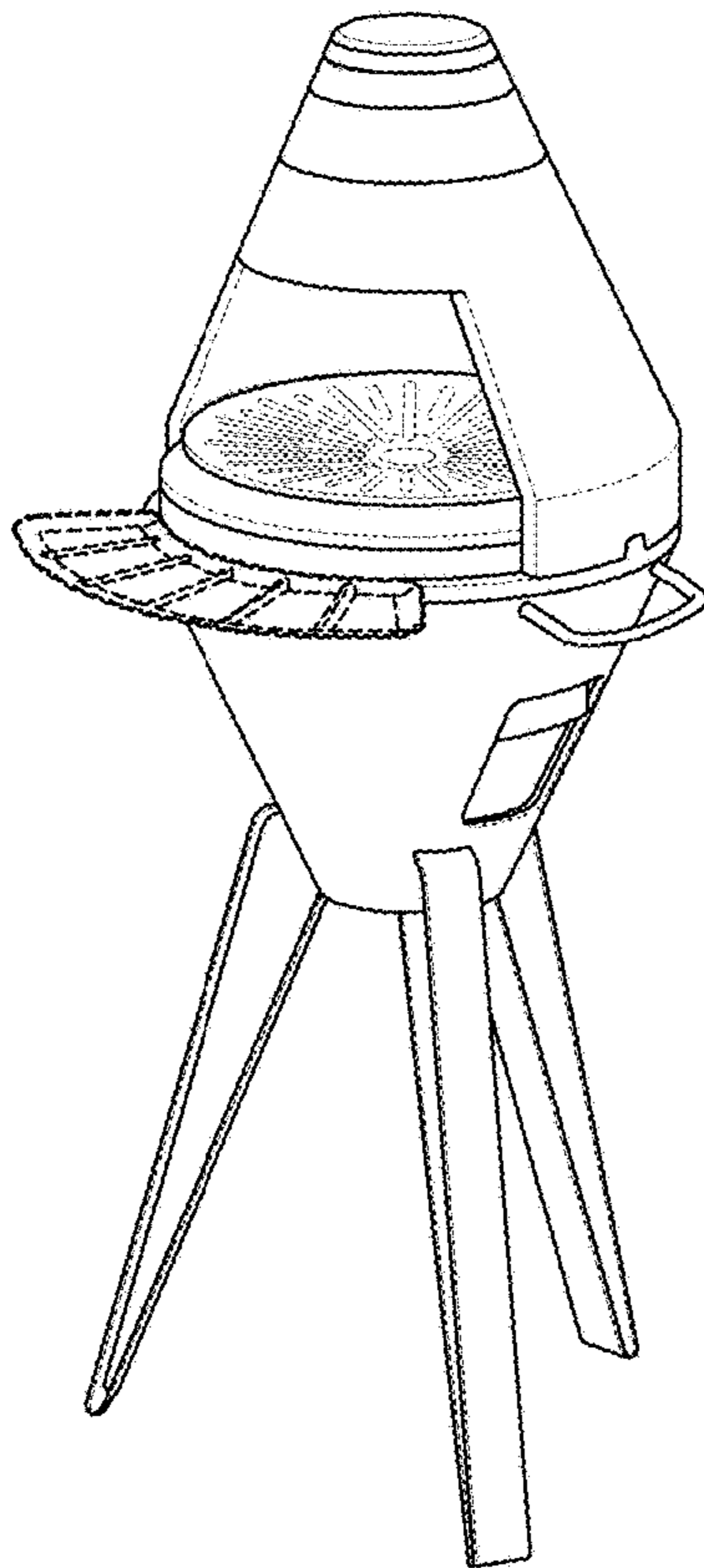


FIG. 9

