



US00D853777S

(12) **United States Design Patent**
Van Den Nieuwenhuizen et al.

(10) **Patent No.:** **US D853,777 S**
(45) **Date of Patent:** **** Jul. 16, 2019**

- (54) **CIRCULATOR COOKER**
- (71) Applicant: **Anova Applied Electronics, Inc.**, San Francisco, CA (US)
- (72) Inventors: **John Van Den Nieuwenhuizen**, San Francisco, CA (US); **Vitor Alexandre Medeiros De Santa Maria**, Milan (IT)
- (73) Assignee: **Anova Applied Electronics, Inc.**, San Francisco, CA (US)
- (**) Term: **15 Years**
- (21) Appl. No.: **29/631,873**
- (22) Filed: **Jan. 3, 2018**
- (51) **LOC (11) Cl.** **07-02**
- (52) **U.S. Cl.**
USPC **D7/354**
- (58) **Field of Classification Search**
USPC D7/323, 354–363, 372, 391, 393–396, D7/409; D32/18
CPC A01K 63/042; A47G 19/12; A47J 27/00; A47J 27/002; A47J 27/08; A47J 27/10; A47J 27/21; A47J 27/58; A47J 29/02; A47J 36/025; A47J 36/06; A47J 36/12; A47J 36/2405; A47J 36/32; A47J 37/00; A47J 37/10; A47J 37/101; A47J 37/103; A47J 37/12; A47J 37/1204; A47J 45/061; A47J 45/071; A47J 45/08; B65B 25/22; F04C 25/00; H05B 3/80; H05B 6/12
See application file for complete search history.

(56) **References Cited**

U.S. PATENT DOCUMENTS

- 3,270,661 A * 9/1966 Juvan A47J 29/02 99/343
- 5,336,401 A * 8/1994 Tu A01K 63/042 119/261

- D527,502 S * 8/2006 Yoshimoto F04C 25/00 D32/18
- 7,389,629 B2 * 6/2008 Tretina F04C 25/00 141/65
- 9,615,689 B2 * 4/2017 Plazarte B65B 25/22
- 9,687,104 B2 * 6/2017 Wu H05B 3/80
- D792,736 S * 7/2017 Chen A47J 36/32 D7/372
- 9,826,855 B2 * 11/2017 Wu A47J 36/32
- D836,967 S * 1/2019 Lin D7/354
- 2013/0220143 A1 * 8/2013 Fetterman A47J 36/2405 99/330
- 2015/0082996 A1 3/2015 Wu
- 2015/0150403 A1 6/2015 Wu
- 2015/0245731 A1 9/2015 Wu
- 2015/0342388 A1 12/2015 Wu
- 2015/0342389 A1 12/2015 Wu

(Continued)

Primary Examiner — Ricky Pham

(74) *Attorney, Agent, or Firm* — RatnerPrestia

(57) **CLAIM**

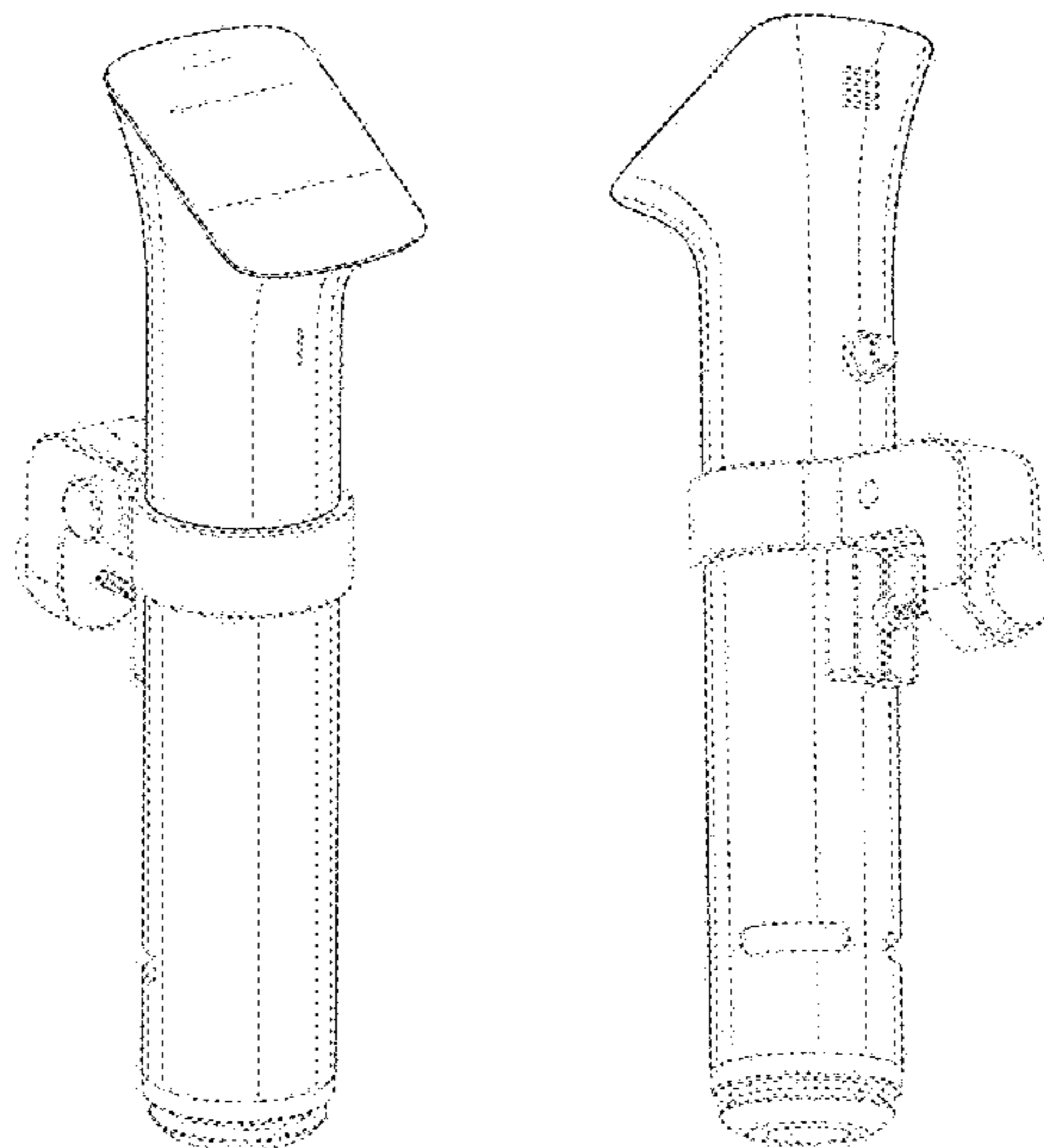
The ornamental design for a circulator cooker, as shown and described.

DESCRIPTION

FIG. 1 is a left side view of a circulator cooker showing our new design;
 FIG. 2 is a front view thereof;
 FIG. 3 is a right side view thereof;
 FIG. 4 is a rear view thereof;
 FIG. 5 is a top plan view thereof;
 FIG. 6 is a bottom plan view thereof;
 FIG. 7 is a top front isometric view thereof;
 FIG. 8 is a bottom rear isometric view thereof; and,
 FIG. 9 is a front isometric view thereof.

The broken lines in the drawings are for the purpose of illustrating unclaimed portions of the circulator cooker and form no part of the claimed design. The dash-dot-dash lines indicate boundaries of the claimed design.

1 Claim, 8 Drawing Sheets



(56)

References Cited

U.S. PATENT DOCUMENTS

2015/0342390 A1 * 12/2015 Wu A47J 27/10
426/523
2015/0342392 A1 12/2015 Wu
2016/0022085 A1 1/2016 Wu et al.
2016/0037956 A1 2/2016 Wu
2016/0192801 A1 7/2016 Wu

* cited by examiner

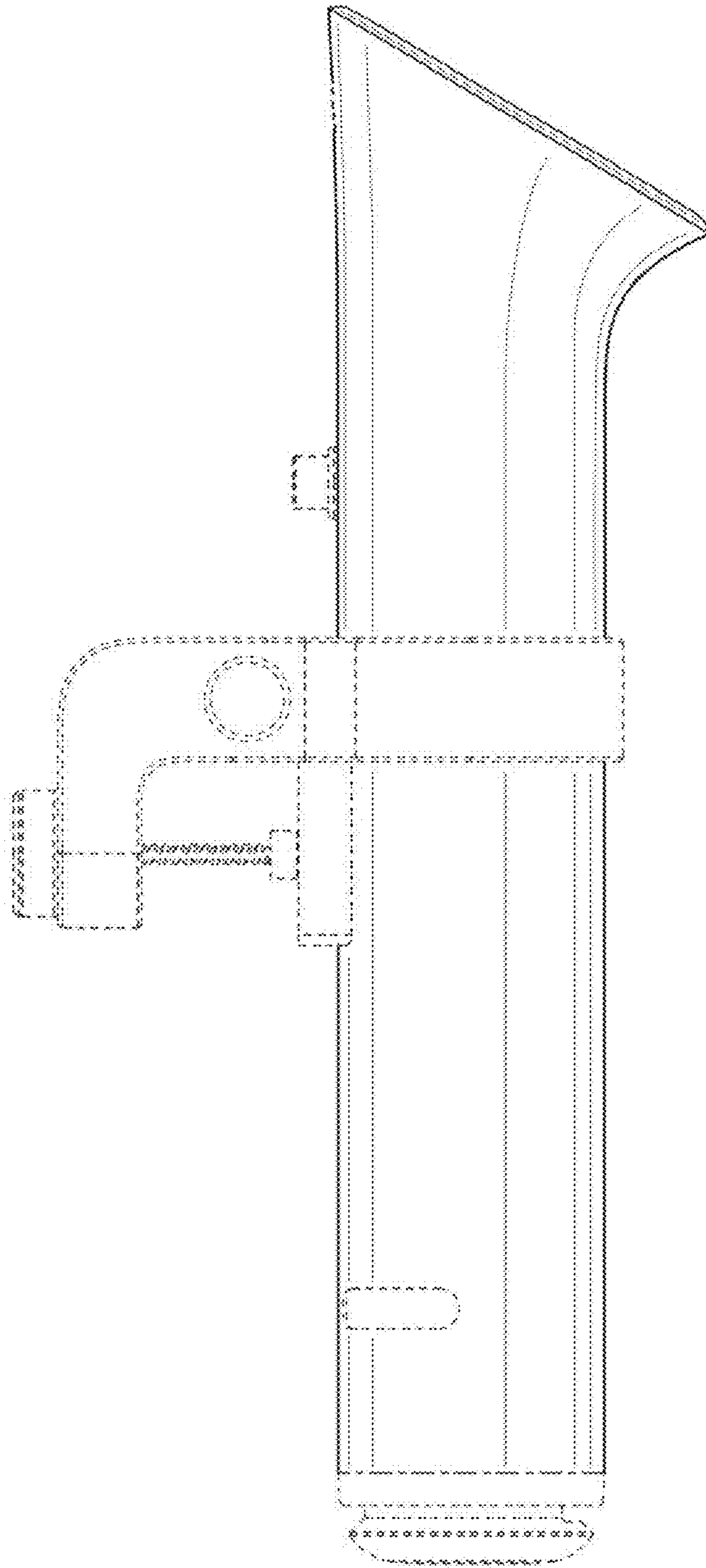


FIG. 1

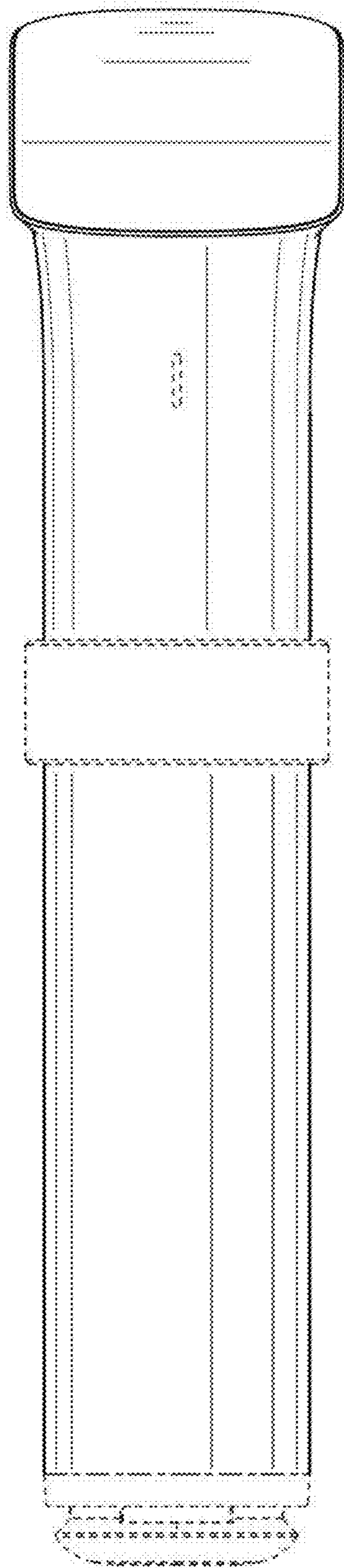


FIG. 2

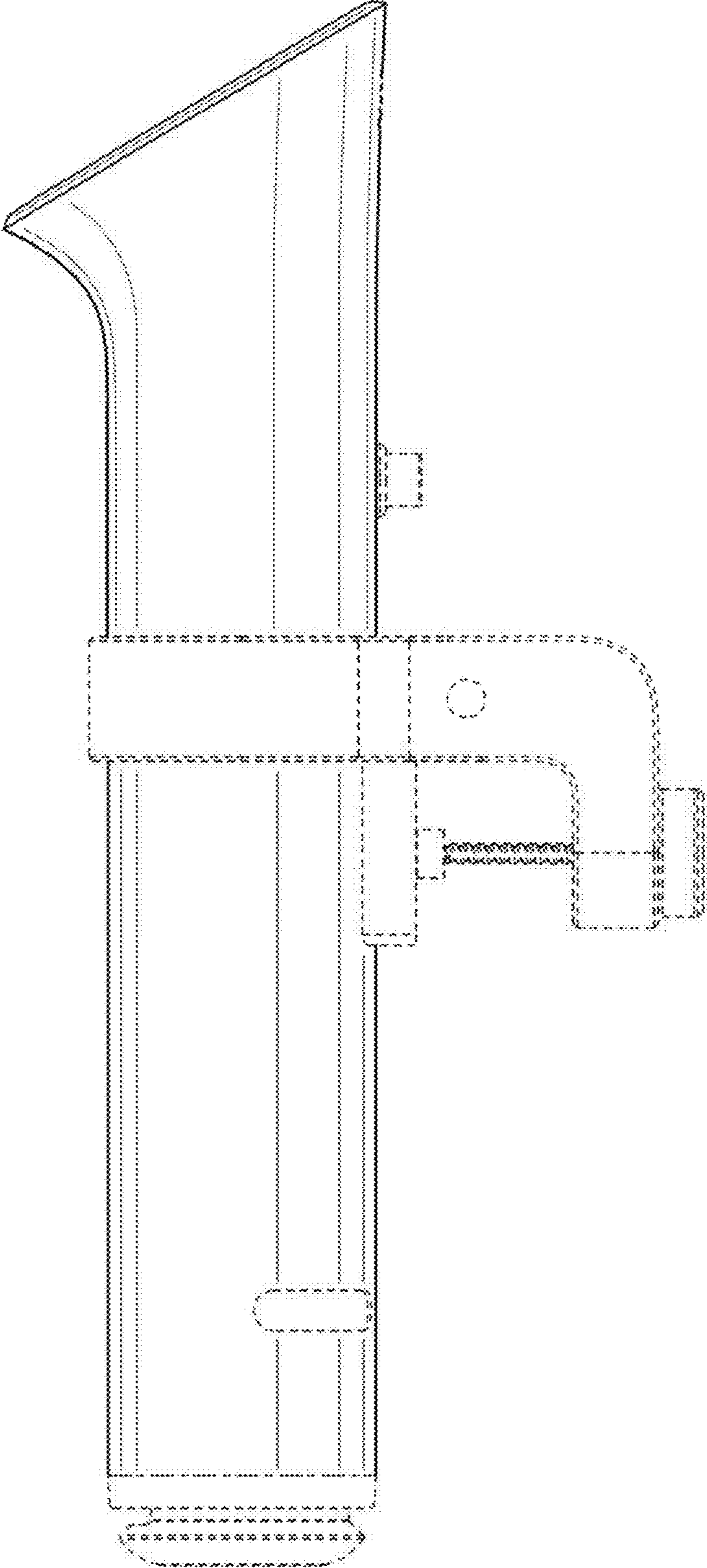


FIG. 3

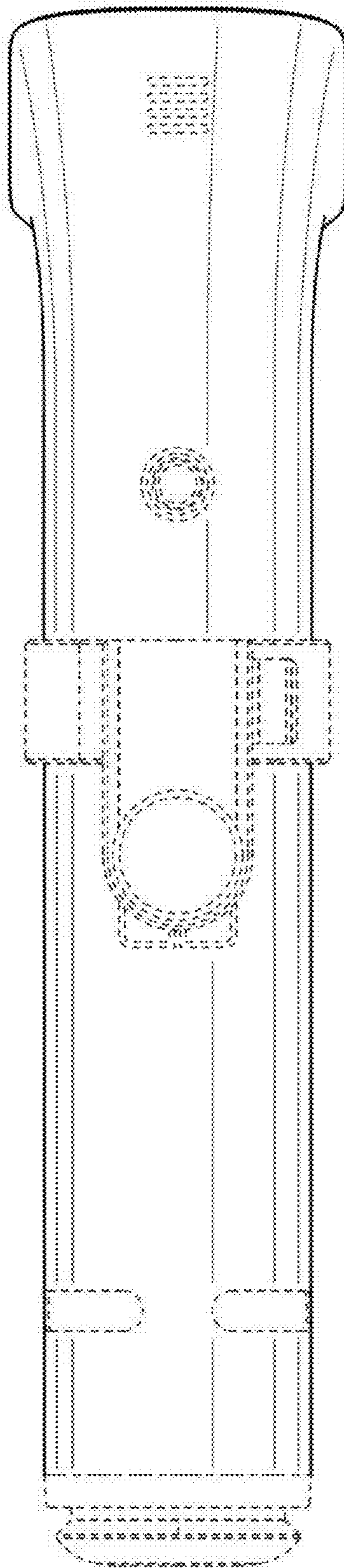


FIG. 4

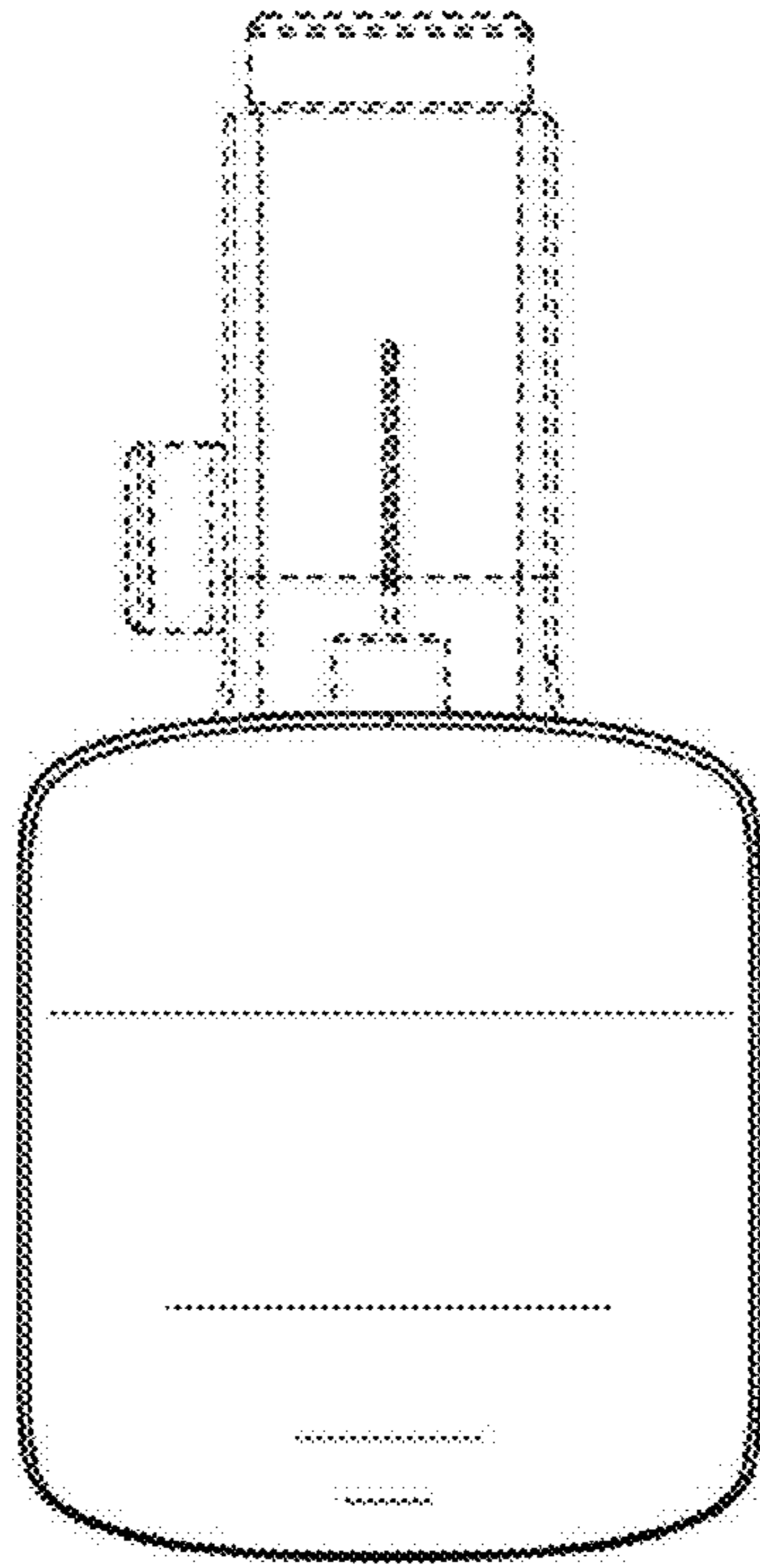


FIG. 5

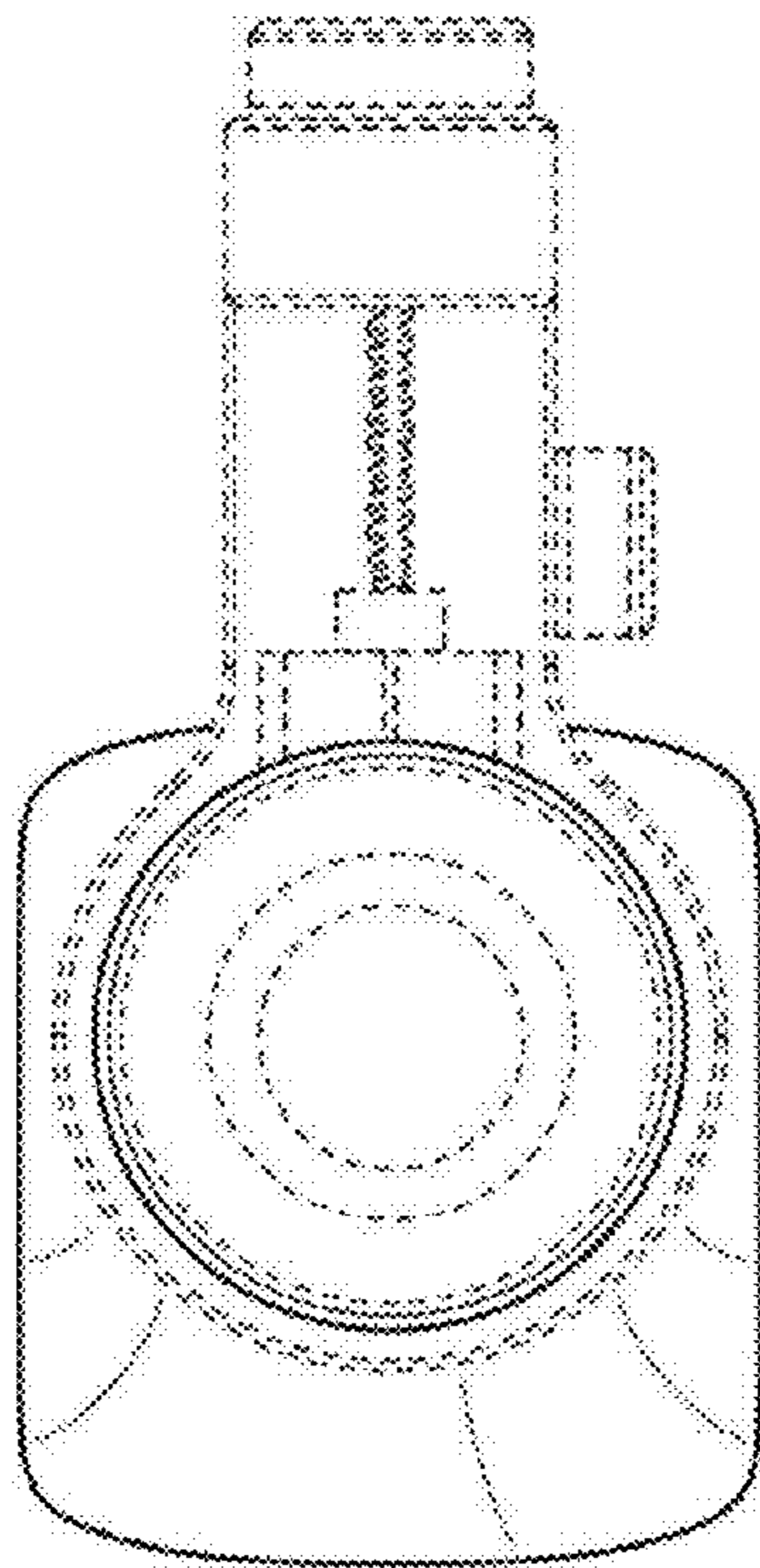


FIG. 6

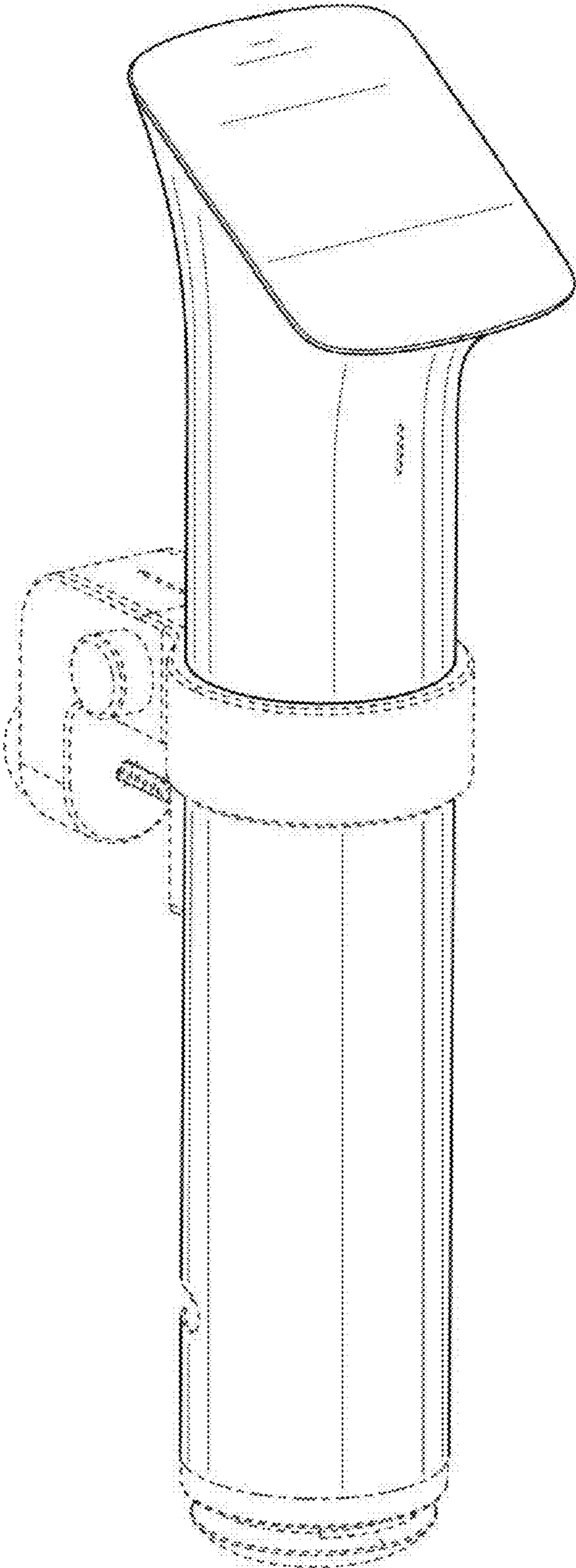


FIG. 7

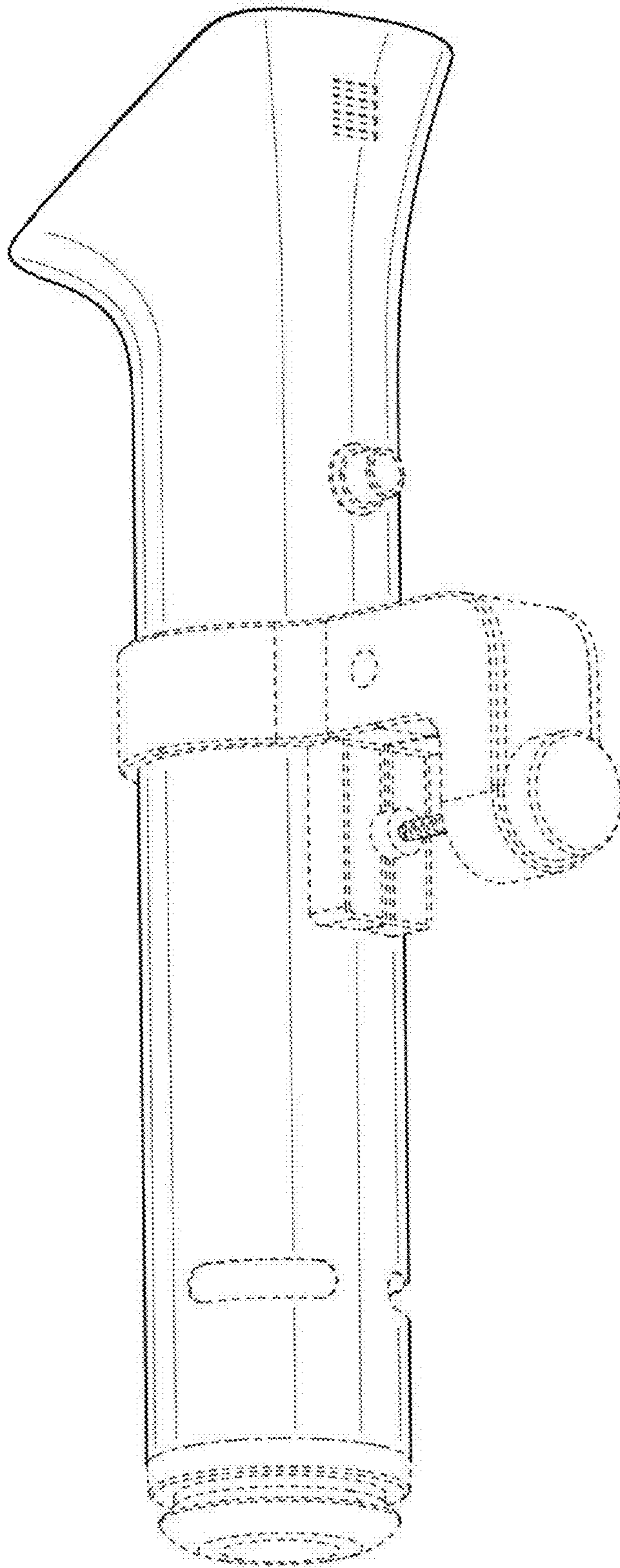


FIG. 8

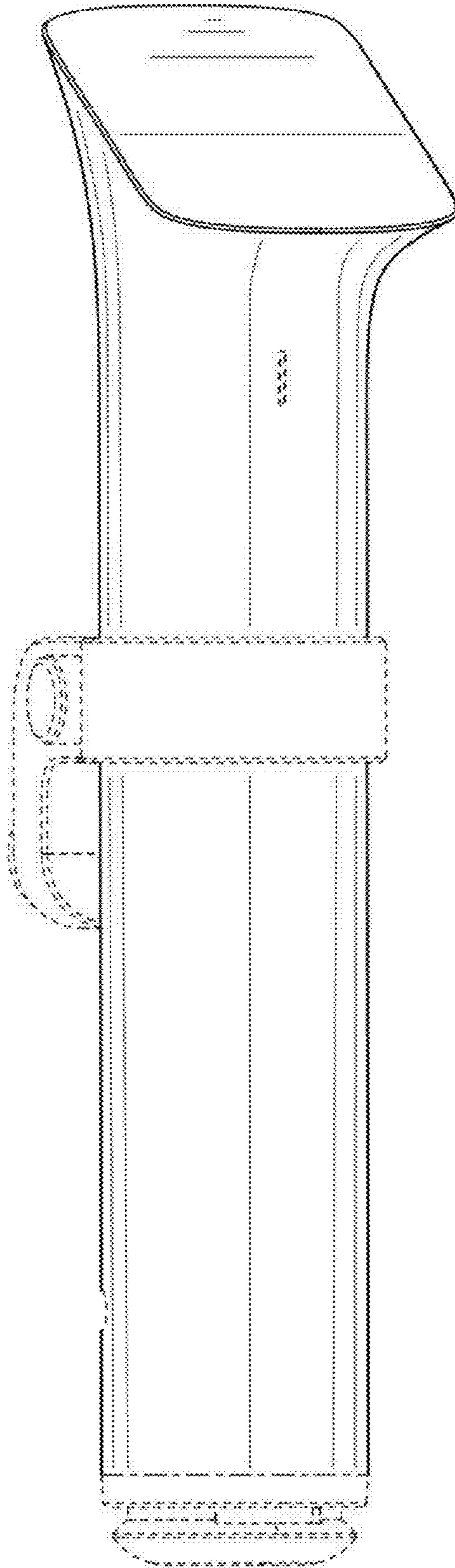


FIG. 9