



US00D853776S

(12) **United States Design Patent**
Xu et al.

(10) **Patent No.:** **US D853,776 S**
(45) **Date of Patent:** **** Jul. 16, 2019**

(54) **SOUS VIDE COOKER**
(71) Applicant: **Shenzhen Green Electrical Appliance Co., Ltd.**, Shenzhen (CN)
(72) Inventors: **Shenglin Xu**, Shenzhen (CN); **Guihua Tian**, Shenzhen (CN)
(73) Assignee: **Shenzhen Green Electrical Appliance Co., Ltd.**, Shenzhen (CN)

5,336,401 A * 8/1994 Tu A01K 63/042
119/261
D527,502 S * 8/2006 Yoshimoto A47J 27/10
D32/18
9,615,689 B2 * 4/2017 Plazarte B65B 25/22
D792,736 S * 7/2017 Chen D7/372
D836,967 S * 1/2019 Lin D7/354

(Continued)

(**) Term: **15 Years**

Primary Examiner — Ricky Pham
(74) *Attorney, Agent, or Firm* — Dinsmore & Shohl LLP

(21) Appl. No.: **29/629,677**

(57) **CLAIM**

(22) Filed: **Dec. 14, 2017**

The ornamental design for a sous vide cooker, as shown and described.

(30) **Foreign Application Priority Data**

Oct. 19, 2017 (CN) 2017 3 0498484

(51) **LOC (11) Cl.** **07-02**

(52) **U.S. Cl.**
USPC **D7/354**

(58) **Field of Classification Search**
USPC D7/323, 354–363, 372, 391, 393–396,
D7/409; D32/18

CPC A01K 63/042; A47G 19/12; A47J 27/00;
A47J 27/002; A47J 27/08; A47J 27/10;
A47J 27/21; A47J 27/58; A47J 29/02;
A47J 36/025; A47J 36/06; A47J 36/12;
A47J 36/2405; A47J 36/32; A47J 37/00;
A47J 37/10; A47J 37/101; A47J 37/103;
A47J 37/12; A47J 37/1204; A47J 45/061;
A47J 45/071; A47J 45/08; B65B 25/22;
F04C 25/00; H05B 3/80; H05B 6/12;
C21D 1/64

See application file for complete search history.

DESCRIPTION

FIG. 1 is a first perspective view of the sous vide cooker; FIG. 2 is a second perspective view of the sous vide cooker; FIG. 3 is a front view of the sous vide cooker; FIG. 4 is a rear view of the sous vide cooker; FIG. 5 is a left side view of the sous vide cooker; FIG. 6 is a right side view of the sous vide cooker; FIG. 7 is a top view of the sous vide cooker; FIG. 8 is a bottom view of the sous vide cooker; FIG. 9 is a partially enlarged view of part I as shown in FIG. 1; FIG. 10 is a partially enlarged view of part II as shown in FIG. 2; FIG. 11 is a partially enlarged view of part III as shown in FIG. 3; and, FIG. 12 is a partially enlarged view of part IV as shown in FIG. 8.

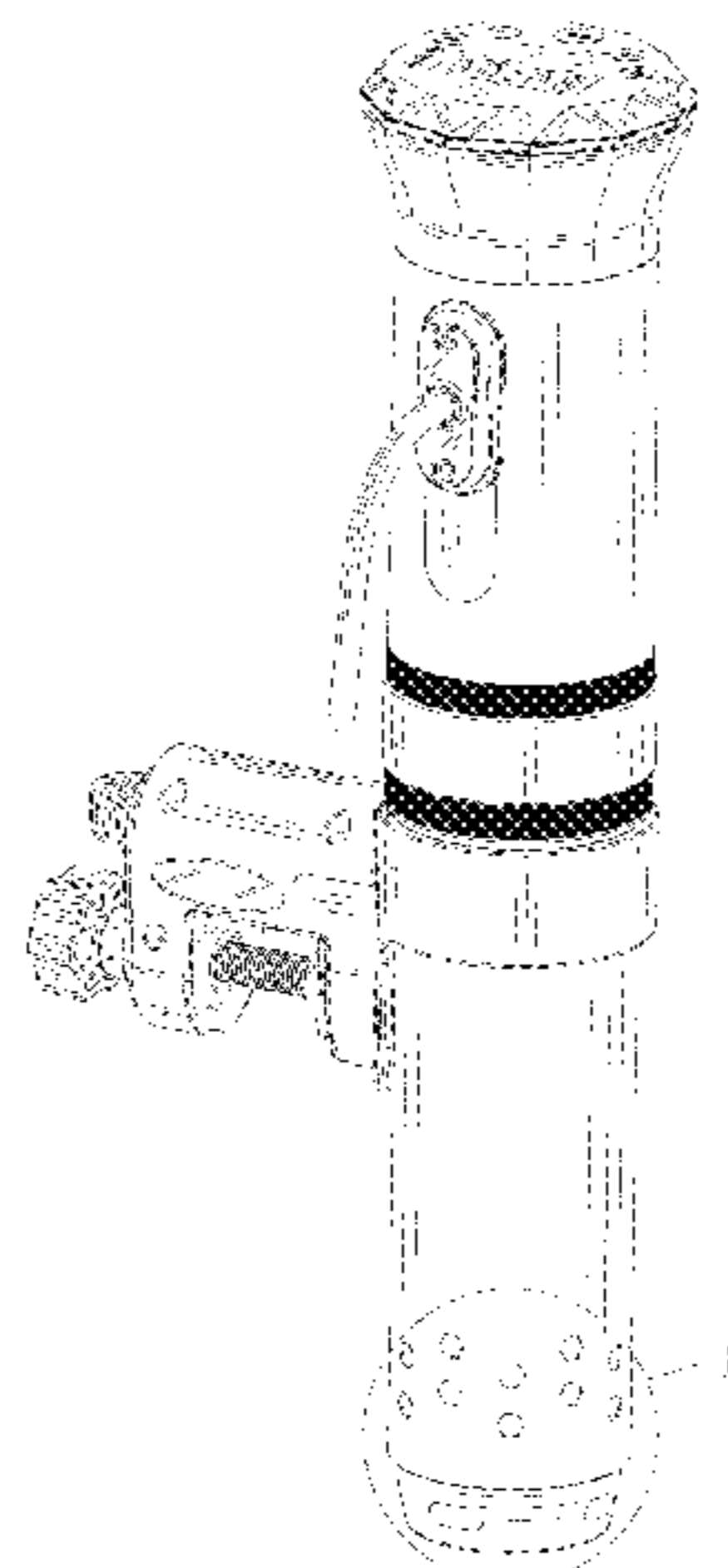
The ornamental design which is claimed is shown in solid lines in the drawings. The broken lines in the drawings depict portions of the sous vide cooker that form no part of the claimed design.

(56) **References Cited**

U.S. PATENT DOCUMENTS

1,864,149 A * 6/1932 Rockwell C21D 1/64
261/121.2
3,270,661 A * 9/1966 Juvan A47J 29/02
99/343

1 Claim, 12 Drawing Sheets



(56)

References Cited

U.S. PATENT DOCUMENTS

2013/0220143	A1 *	8/2013	Fetterman	A47J 36/2405 99/330
2015/0082996	A1 *	3/2015	Wu	A47J 27/10 99/342
2015/0150403	A1 *	6/2015	Wu	A47J 36/32 99/344
2016/0022085	A1 *	1/2016	Wu	H05B 3/80 99/330
2016/0037956	A1 *	2/2016	Wu	A47J 27/10 99/403
2016/0192801	A1 *	7/2016	Wu	A47J 27/10 426/231

* cited by examiner

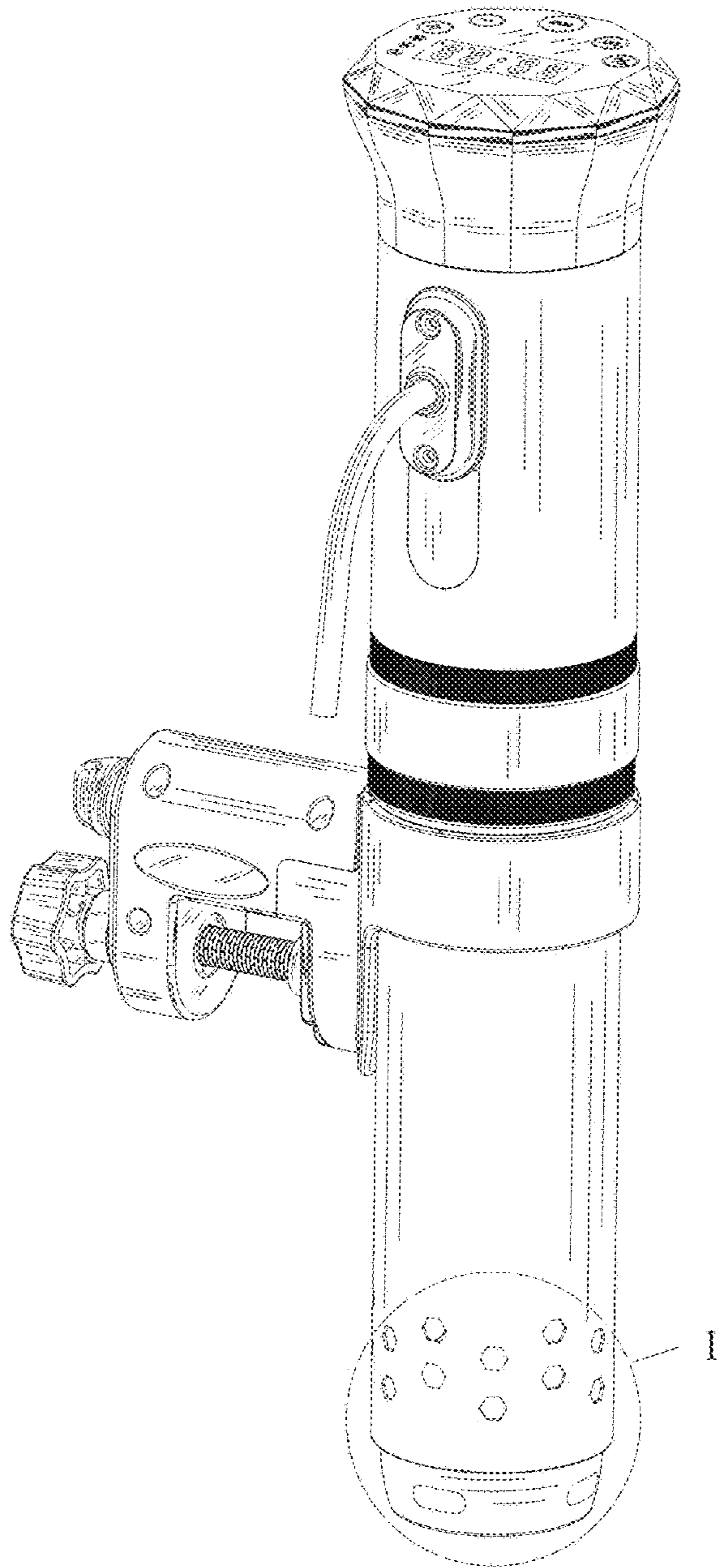


FIG. 1

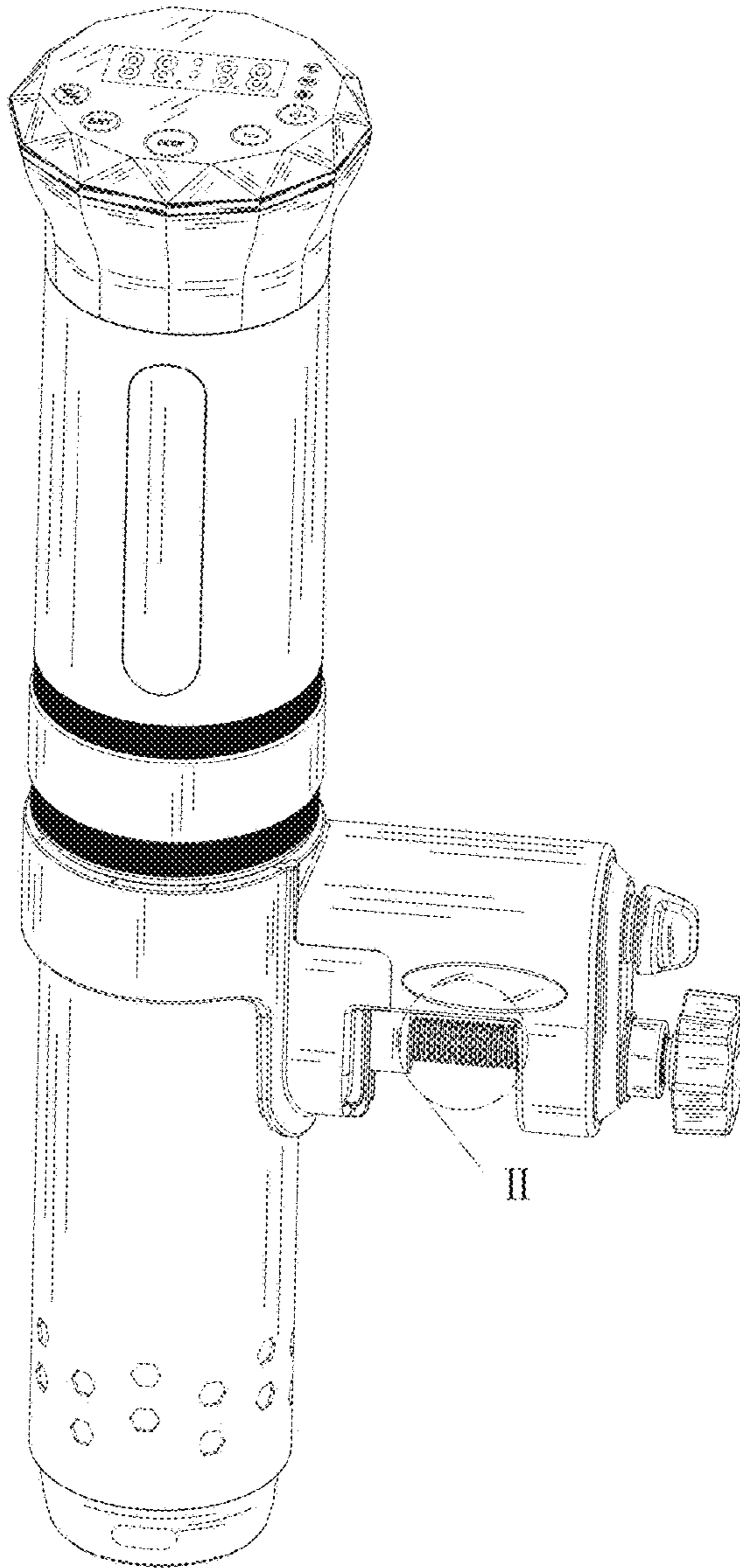


FIG. 2

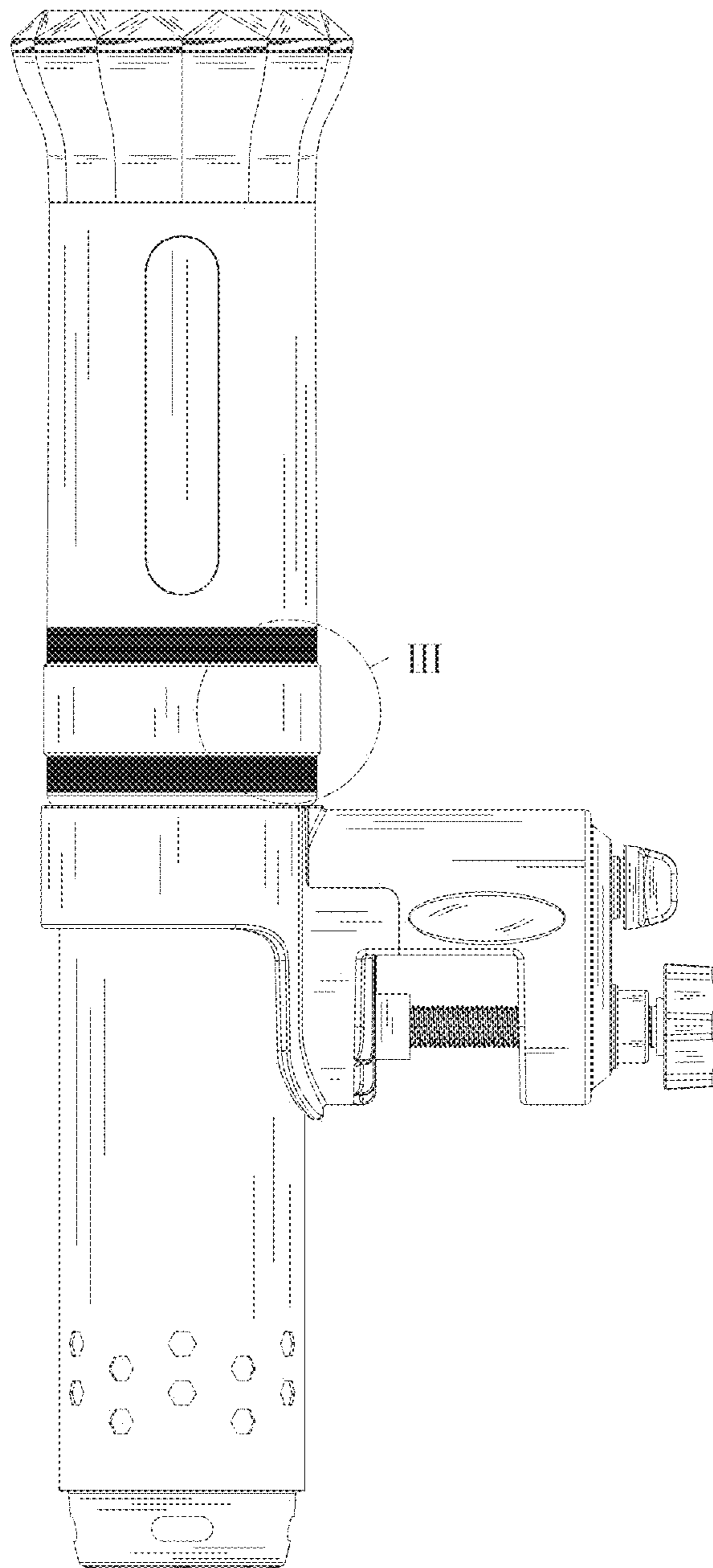


FIG. 3

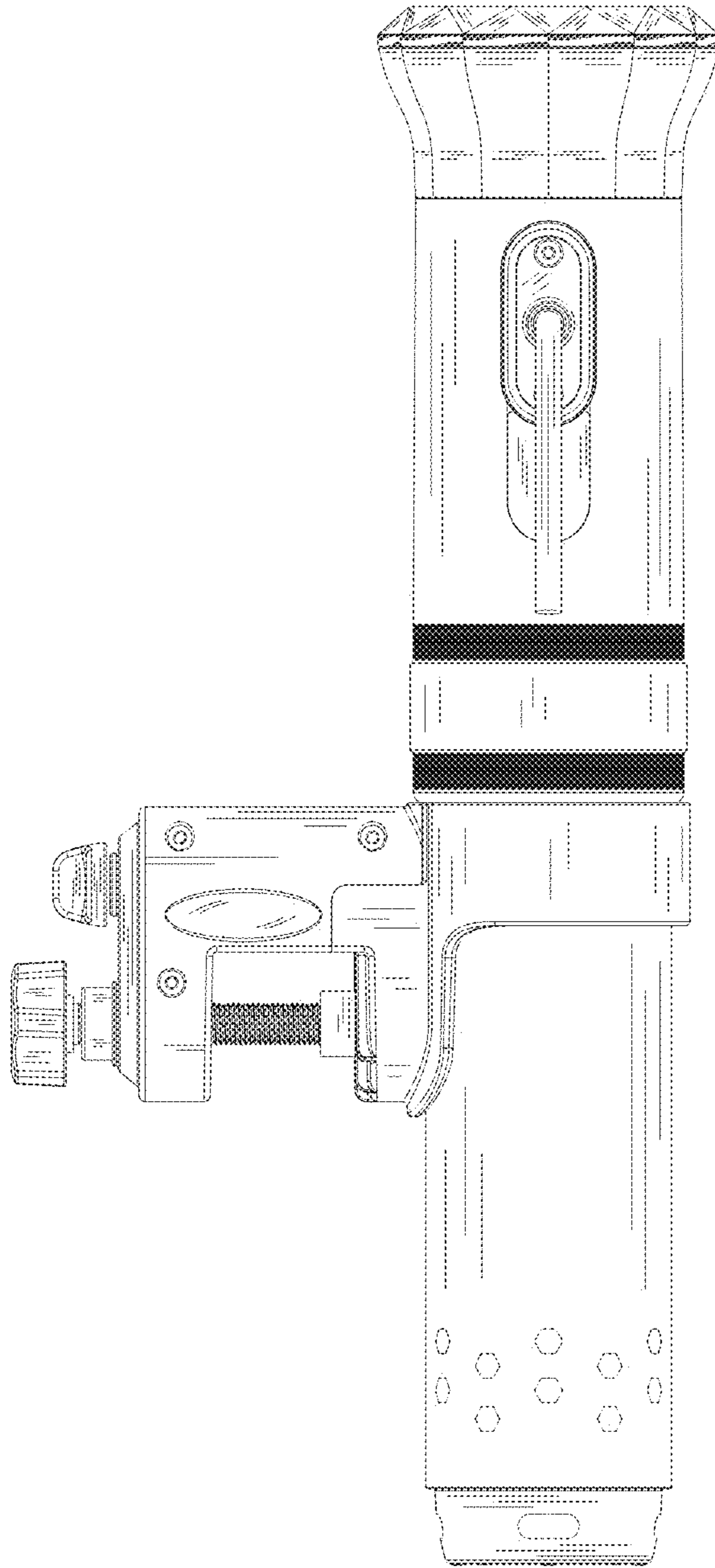


FIG. 4

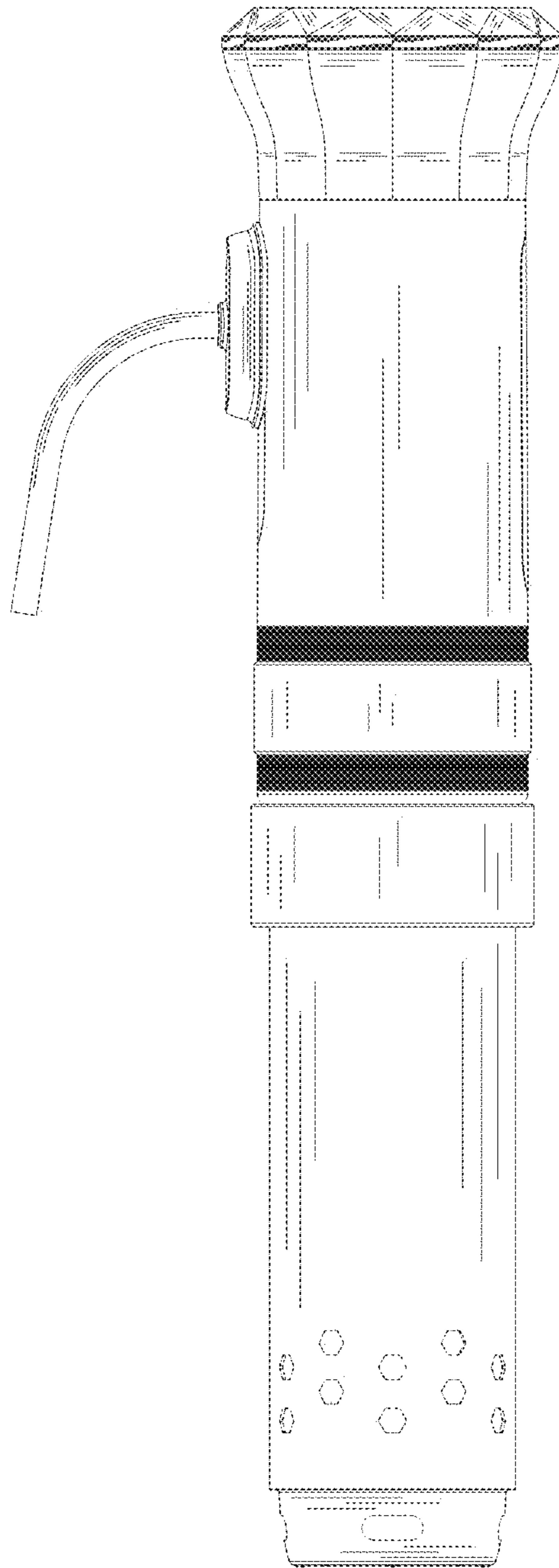


FIG. 5

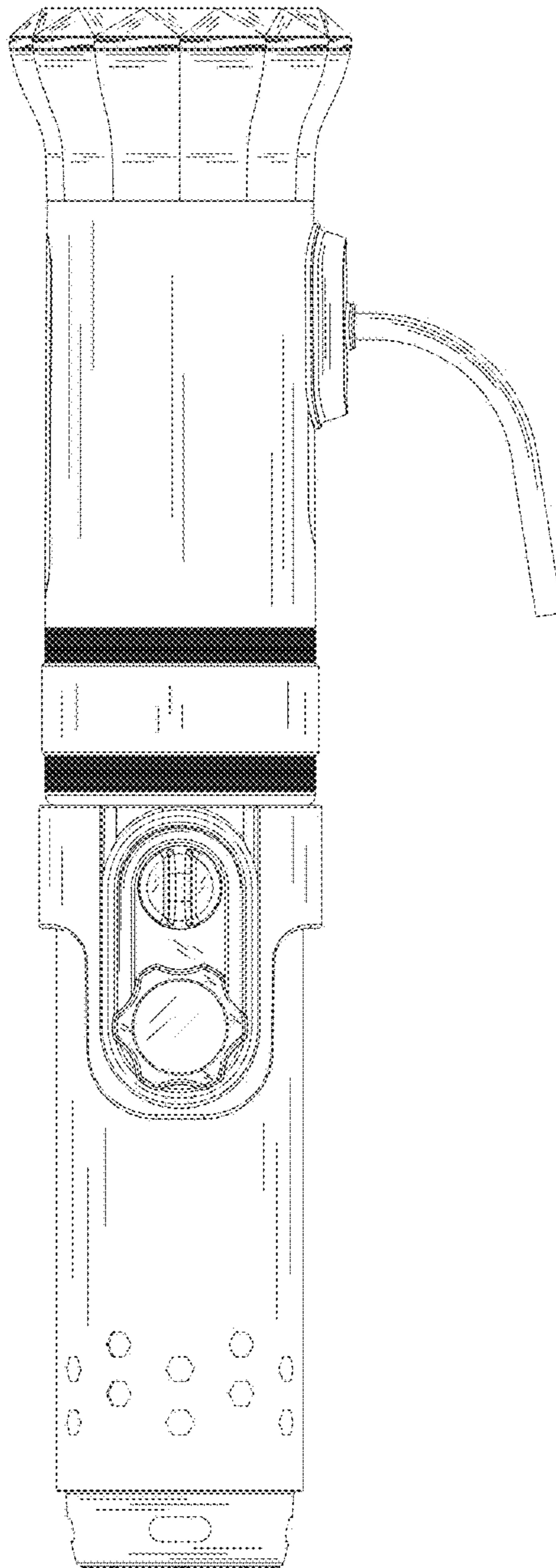


FIG. 6

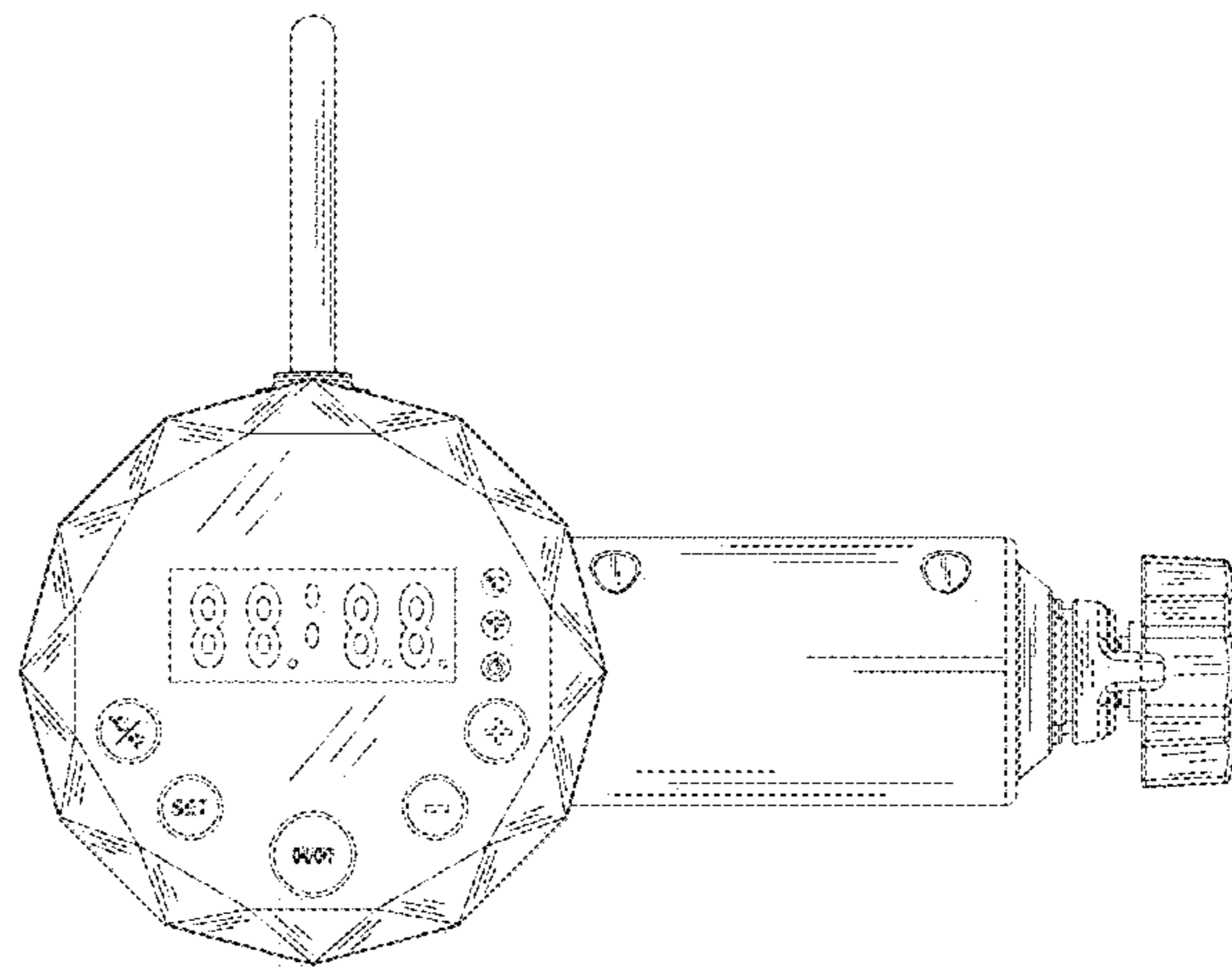


FIG. 7

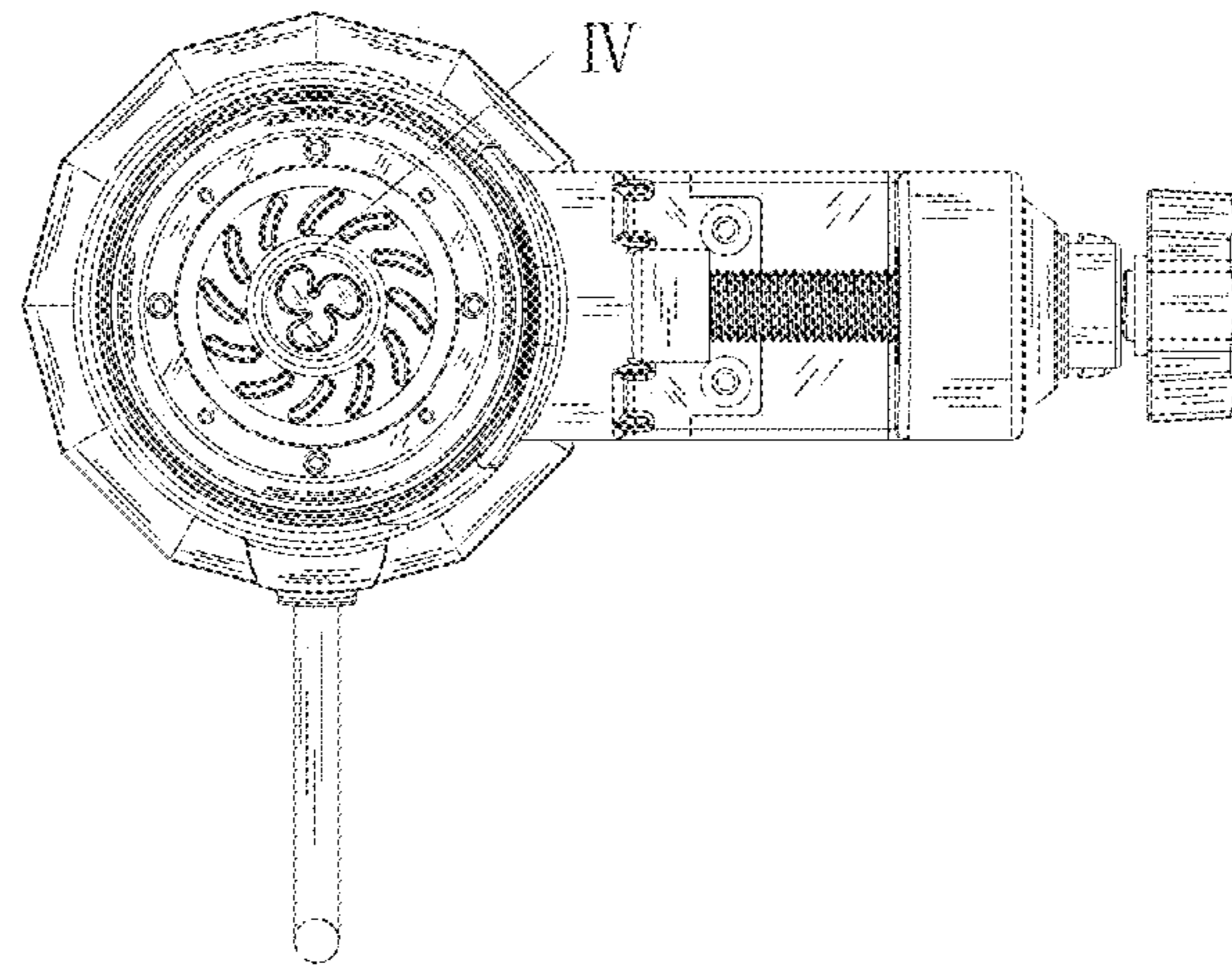


FIG. 8

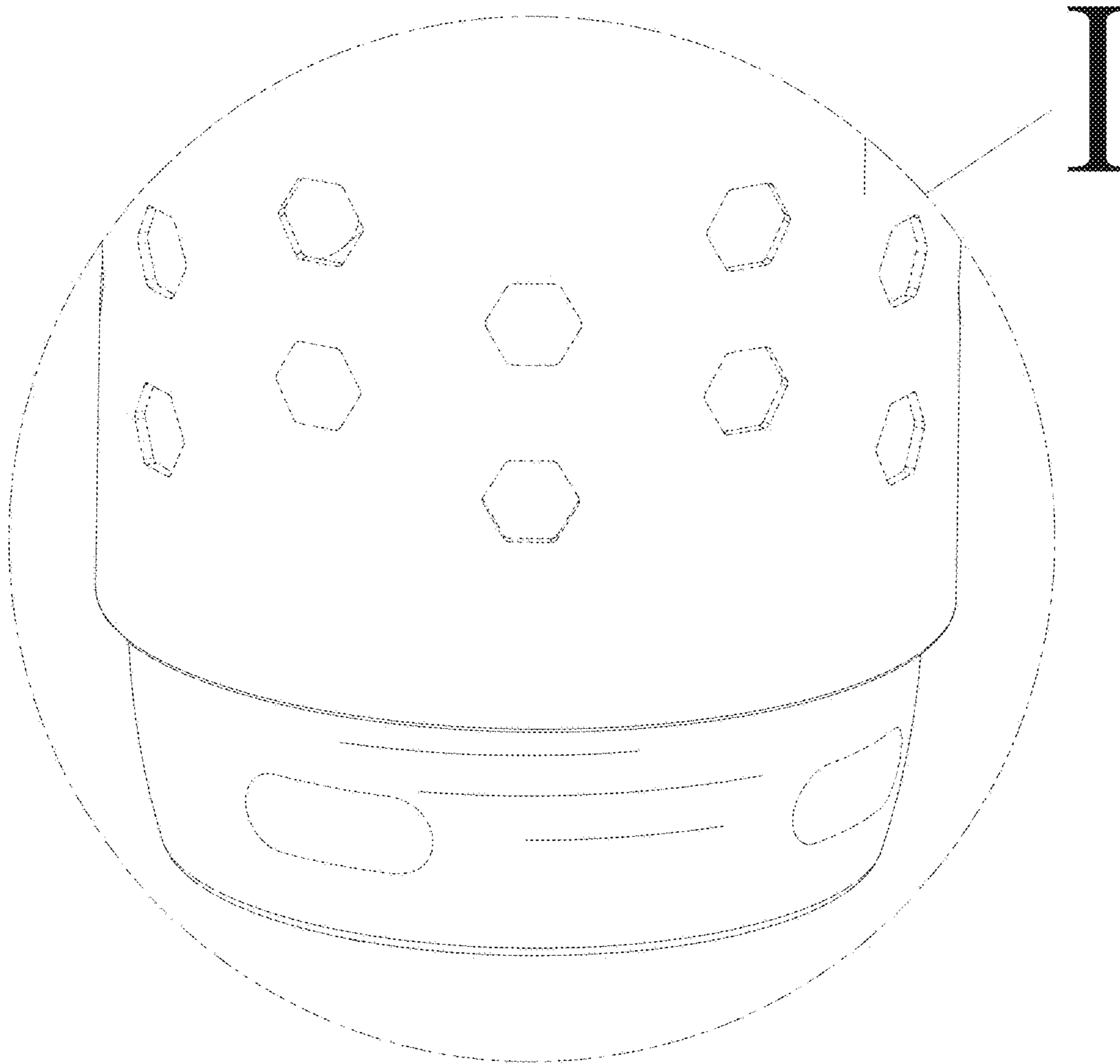


FIG. 9

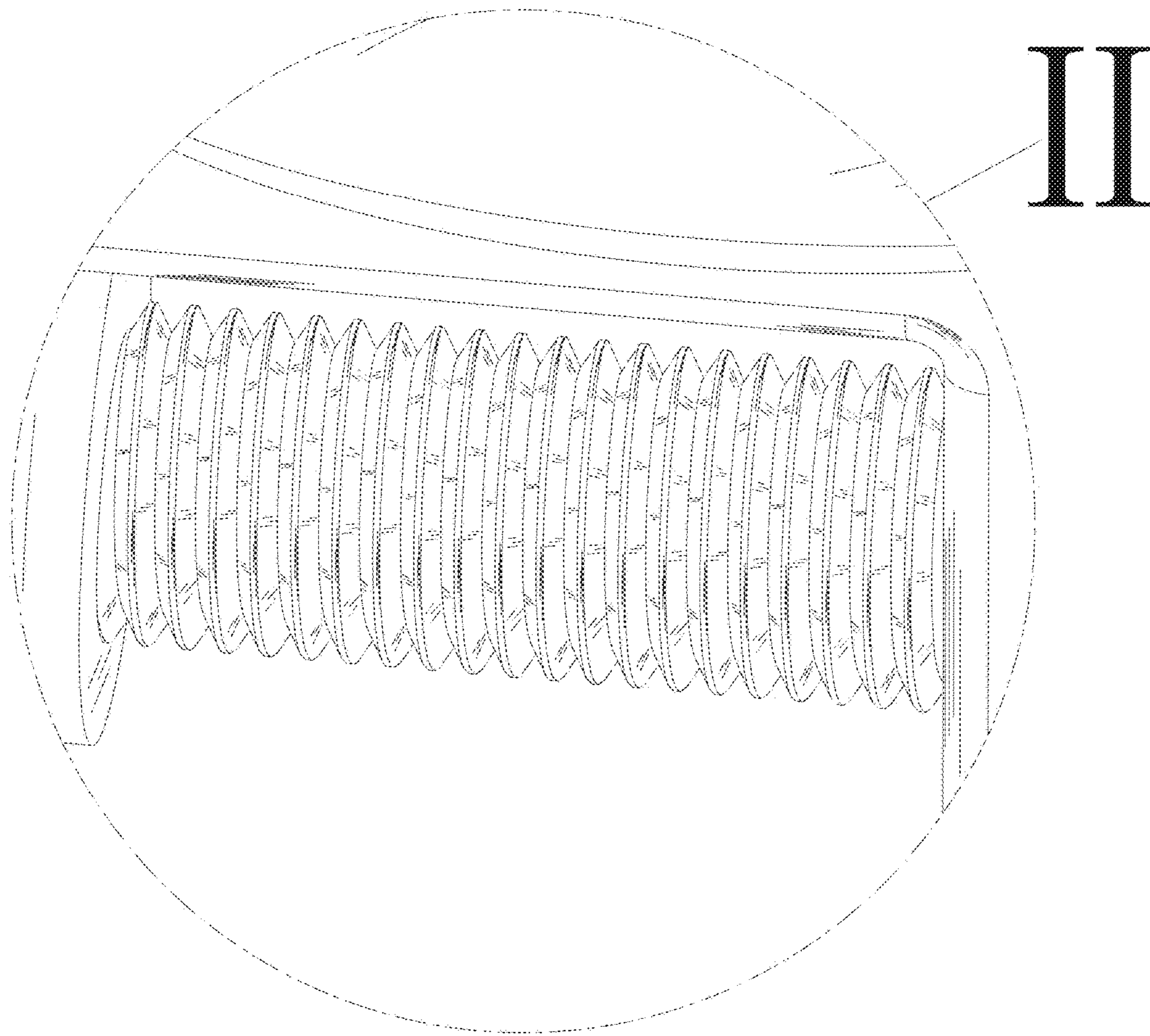


FIG. 10

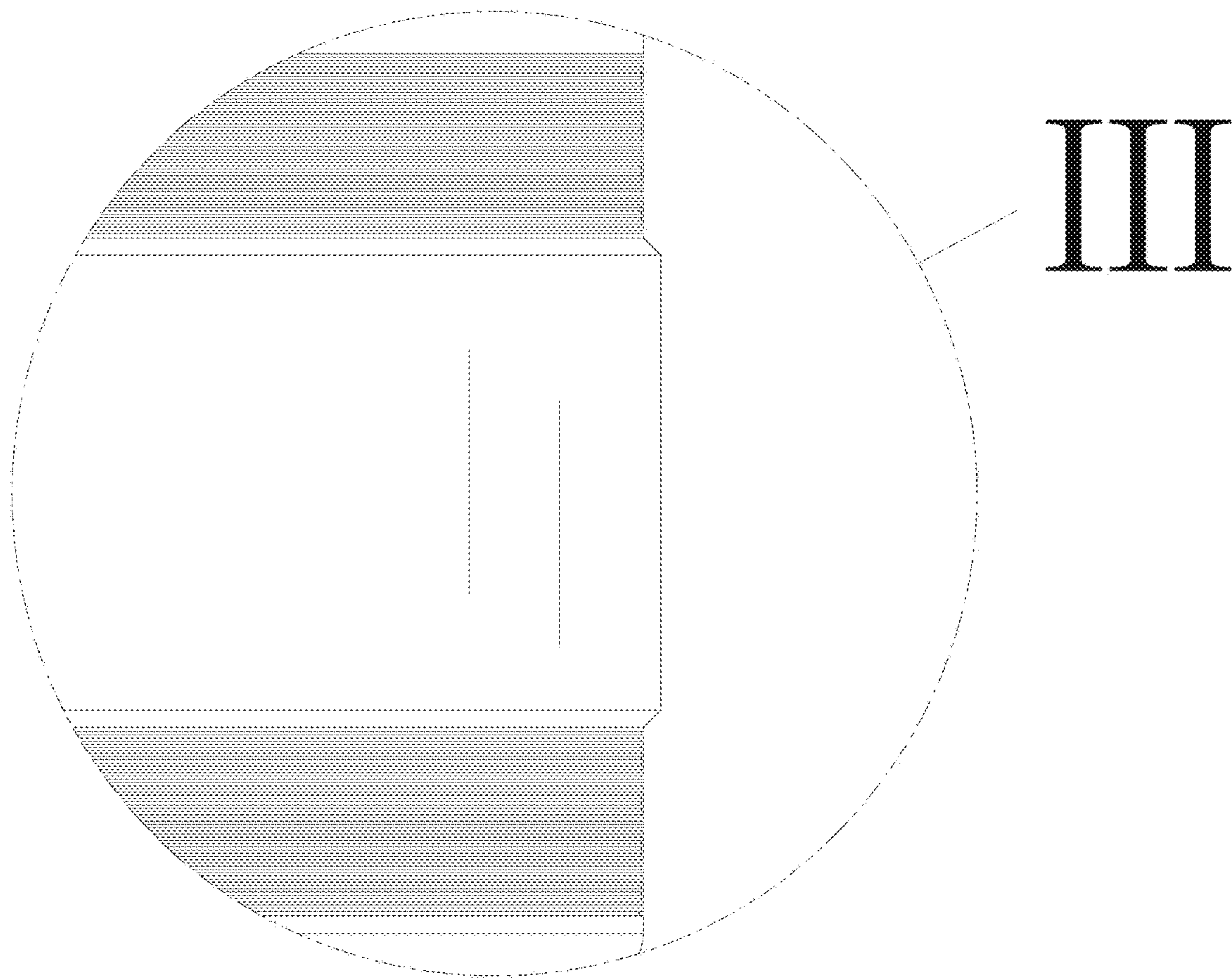
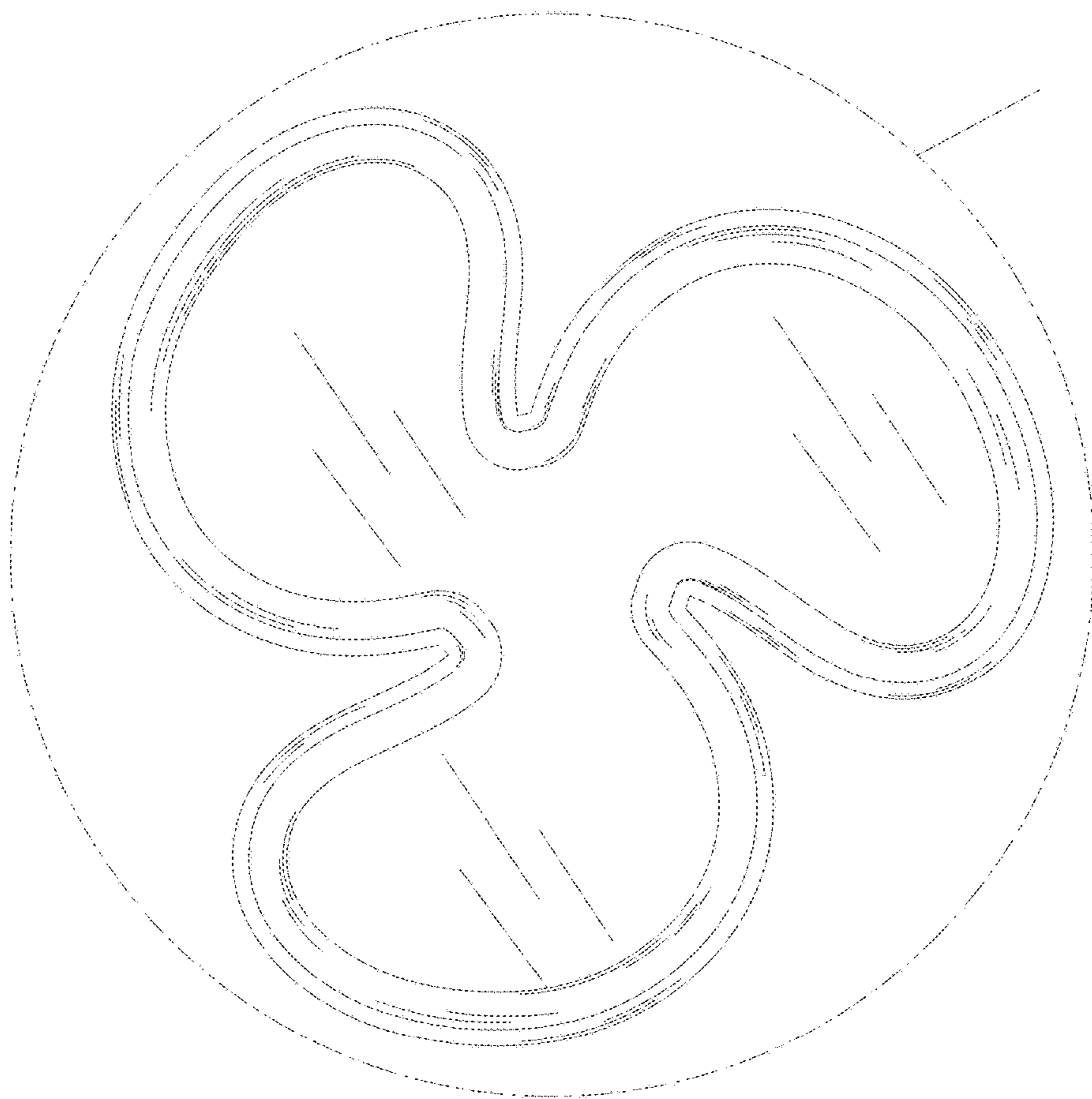


FIG. 11



IV

FIG. 12