



US00D853774S

(12) **United States Design Patent**
Tapaninaho

(10) **Patent No.:** **US D853,774 S**
(45) **Date of Patent:** **** Jul. 16, 2019**

(54) **OVEN**

- (71) Applicant: **UUNI LIMITED**, Broxburn (GB)
- (72) Inventor: **Matti Kristian Tapaninaho**, Broxburn (GB)
- (73) Assignee: **UUNI LIMITED**, Broxburn (GB)
- (**) Term: **15 Years**
- (21) Appl. No.: **29/612,117**
- (22) Filed: **Jul. 28, 2017**

(30) **Foreign Application Priority Data**

Jan. 30, 2017	(GB)	6006444
Jan. 30, 2017	(GB)	6006445
Jan. 30, 2017	(GB)	6006446
Jan. 30, 2017	(GB)	6006447

(51) **LOC (11) Cl.** **07-02**

(52) **U.S. Cl.**
USPC **D7/339**

(58) **Field of Classification Search**

USPC D23/332, 314, 343, 348, 350, 346, 342,
D23/347, 372; D7/332-337, 402-405,
D7/352, 408, 417, 338, 348, 323, 350.1,
D7/350.3, 339

CPC F24C 1/16; F24C 5/00; F24C 3/14; A47J
33/00; A47J 37/0763; A47J 37/07; F24B

(Continued)

(56) **References Cited**

U.S. PATENT DOCUMENTS

3,489,131	A *	1/1970	Richins	F24B 1/205 126/9 R
D251,385	S *	3/1979	Zimmer	D23/343
D275,516	S *	9/1984	Perrin, Sr.	D23/343

(Continued)

OTHER PUBLICATIONS

UK Registered Design No. 4035698 (<https://www.registered-design.service.gov.uk/find/4035698>) Downloaded on Sep. 14, 2017.

Primary Examiner — T Chase Nelson

Assistant Examiner — Ania Aman

(74) *Attorney, Agent, or Firm* — Nixon & Vanderhye P.C.

(57) **CLAIM**

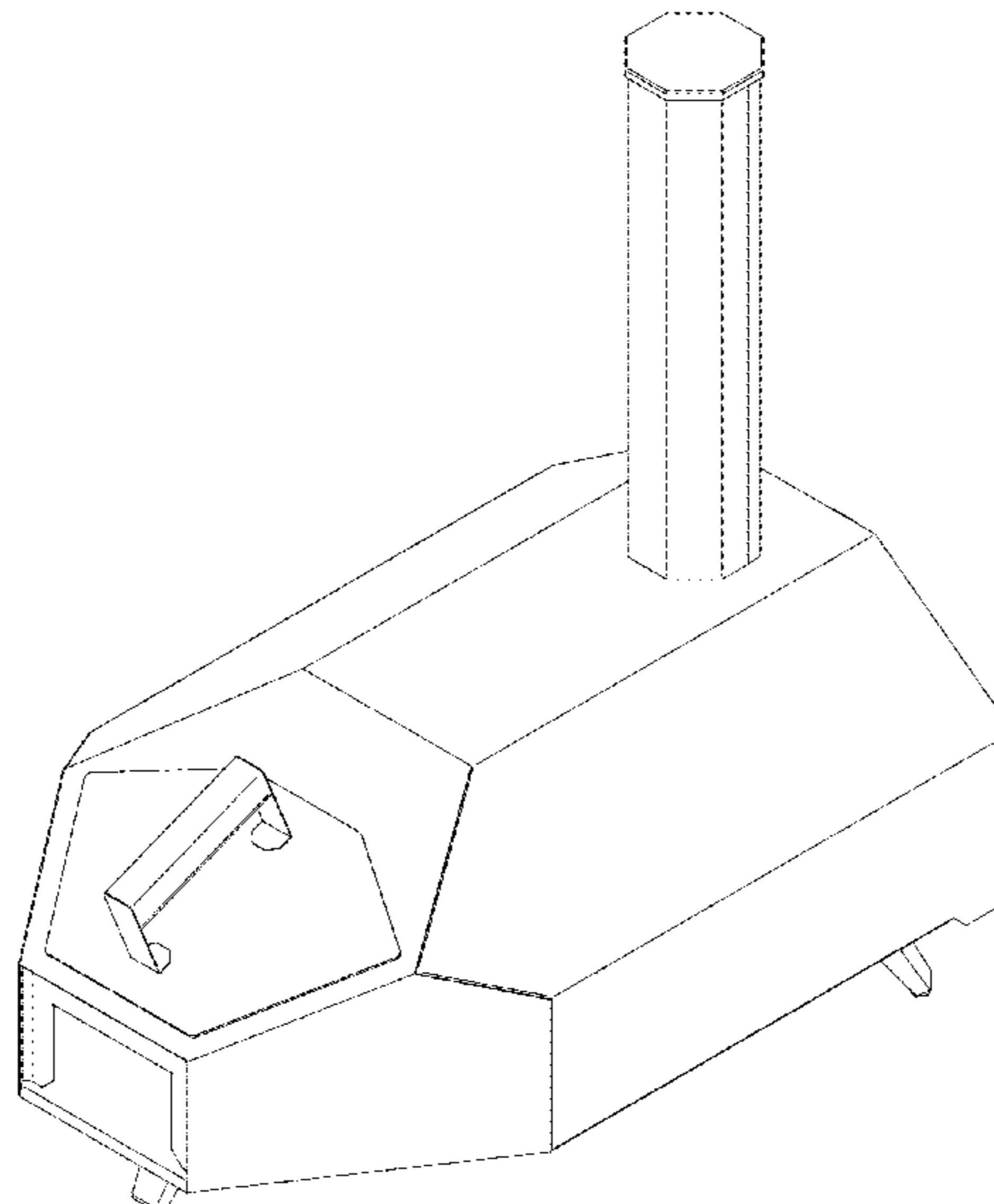
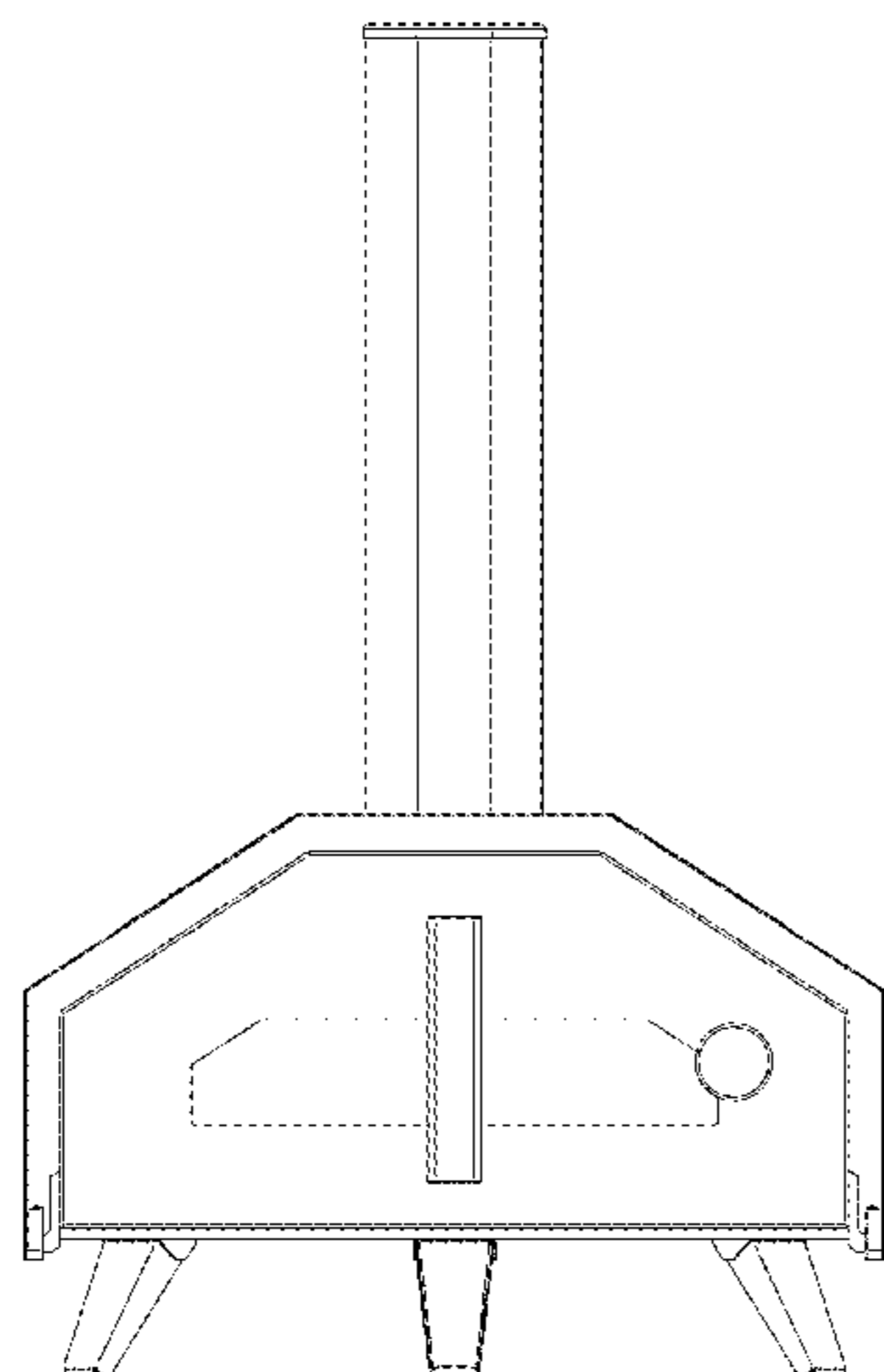
The ornamental design for an oven, as shown and described.

DESCRIPTION

FIG. 1 is a front view of a first embodiment thereof;
 FIG. 2 is a first side view of a first embodiment thereof;
 FIG. 3 is a bottom view of a first embodiment thereof;
 FIG. 4 is a top view of a first embodiment thereof;
 FIG. 5 is a rear view of a first embodiment thereof;
 FIG. 6 is a first perspective view of a first embodiment thereof;
 FIG. 7 is a second perspective view of a first embodiment thereof;
 FIG. 8 is a second side view of a first embodiment thereof;
 FIG. 9 is a front view of a second embodiment thereof;
 FIG. 10 is a first side view of a second embodiment thereof;
 FIG. 11 is a bottom view of a second embodiment thereof;
 FIG. 12 is a top view of a second embodiment thereof;
 FIG. 13 is a rear view of a second embodiment thereof;
 FIG. 14 is a first perspective view of a second embodiment thereof;
 FIG. 15 is a second perspective view of a second embodiment thereof; and,
 FIG. 16 is a second side view of a second embodiment thereof.

The broken lines shown in the drawings are for the purpose of illustrating portions of the article that form no part of the claimed design.

1 Claim, 16 Drawing Sheets



(58) **Field of Classification Search**

CPC 1/18; F24B 1/182; F24B 1/1808; F24B
1/181; F24B 1/195; F24B 1/191

See application file for complete search history.

(56) **References Cited**

U.S. PATENT DOCUMENTS

D539,071 S * 3/2007 O'Brien D7/333
8,061,348 B1 * 11/2011 Rodriguez F24B 1/182
126/1 B
D688,507 S * 8/2013 Hill D7/323
D693,166 S * 11/2013 Measom D7/350.1
D710,982 S * 8/2014 Baril D23/314
D715,084 S * 10/2014 Hill D7/332
D720,569 S * 1/2015 Hill D7/334
D775,489 S * 1/2017 Zemel D7/332
D820,026 S * 6/2018 Russo Krauss D7/339
2001/0035176 A1 * 11/2001 Bush, III A47J 37/0704
126/25 R
2007/0221191 A1 * 9/2007 O'Brien A47J 37/0713
126/25 R

* cited by examiner

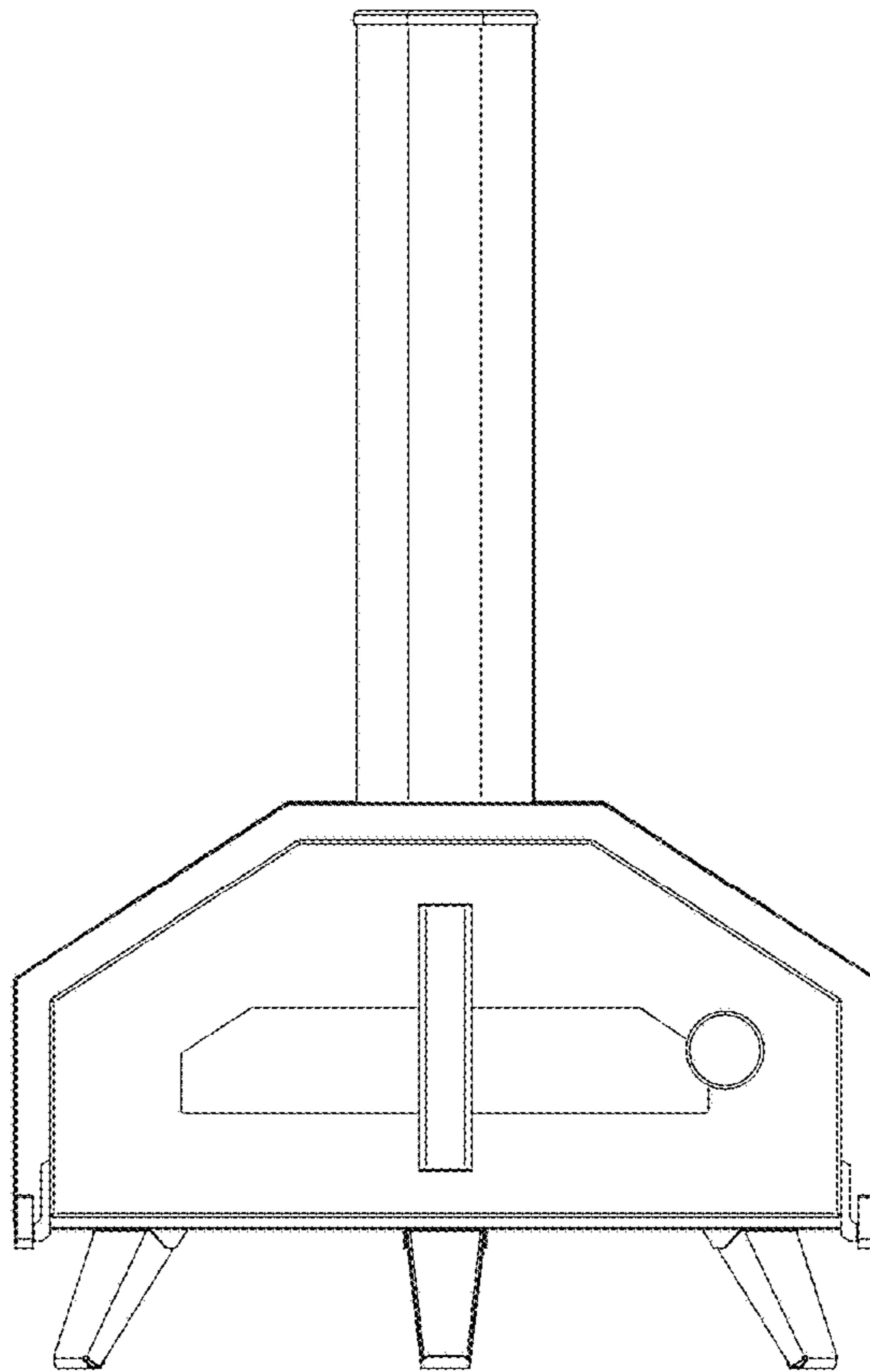


FIG. 1

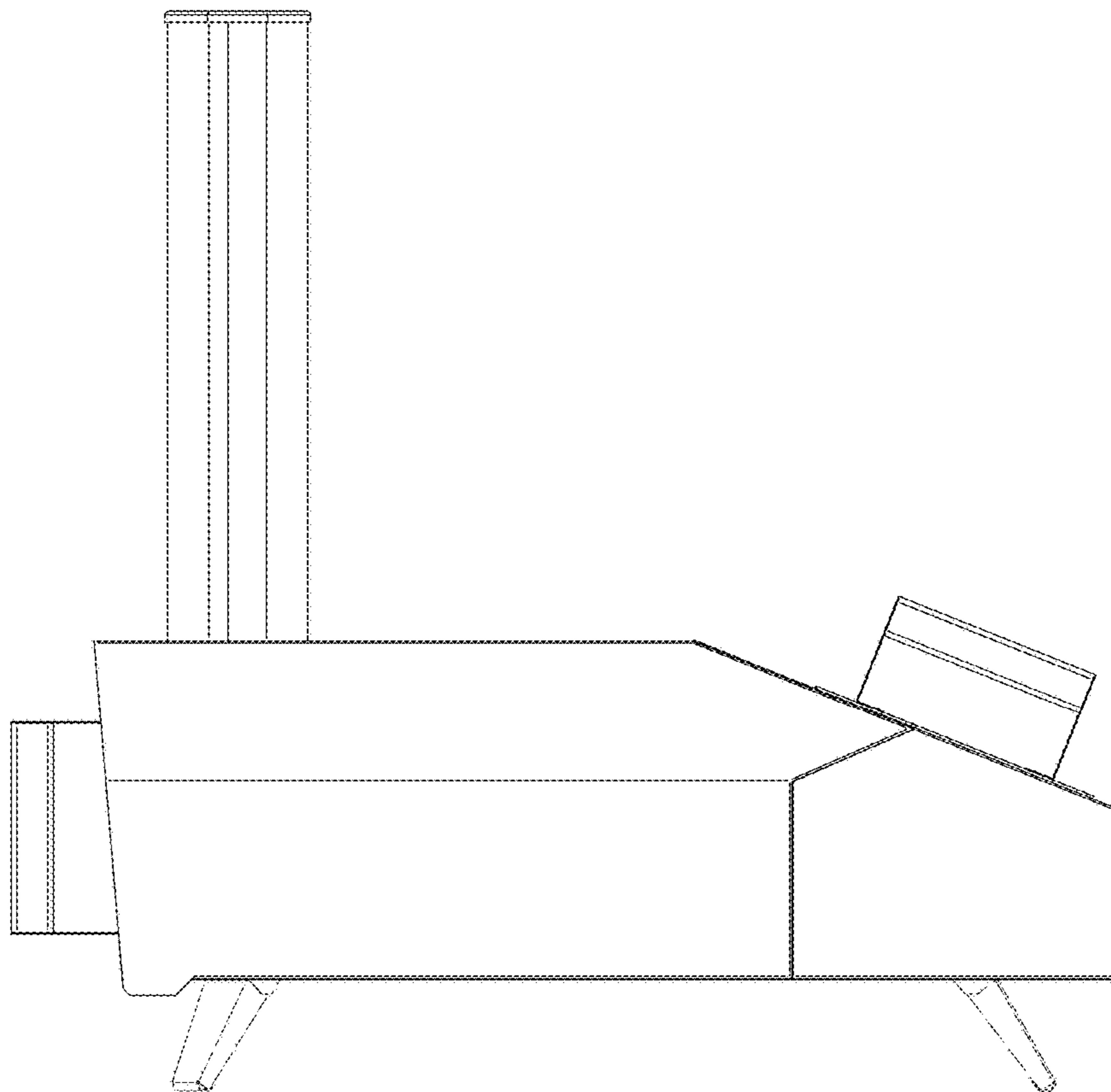


FIG. 2

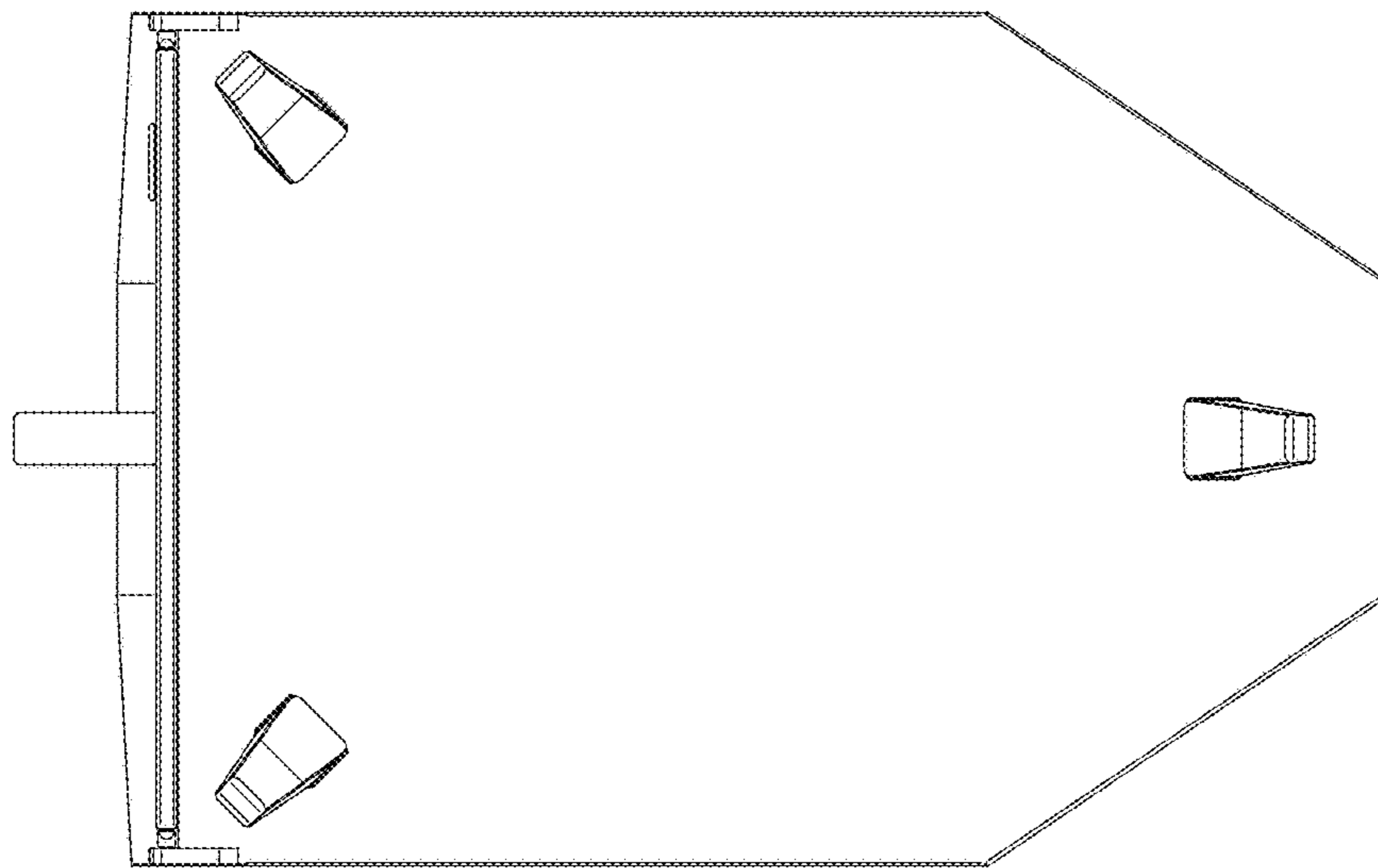


FIG. 3

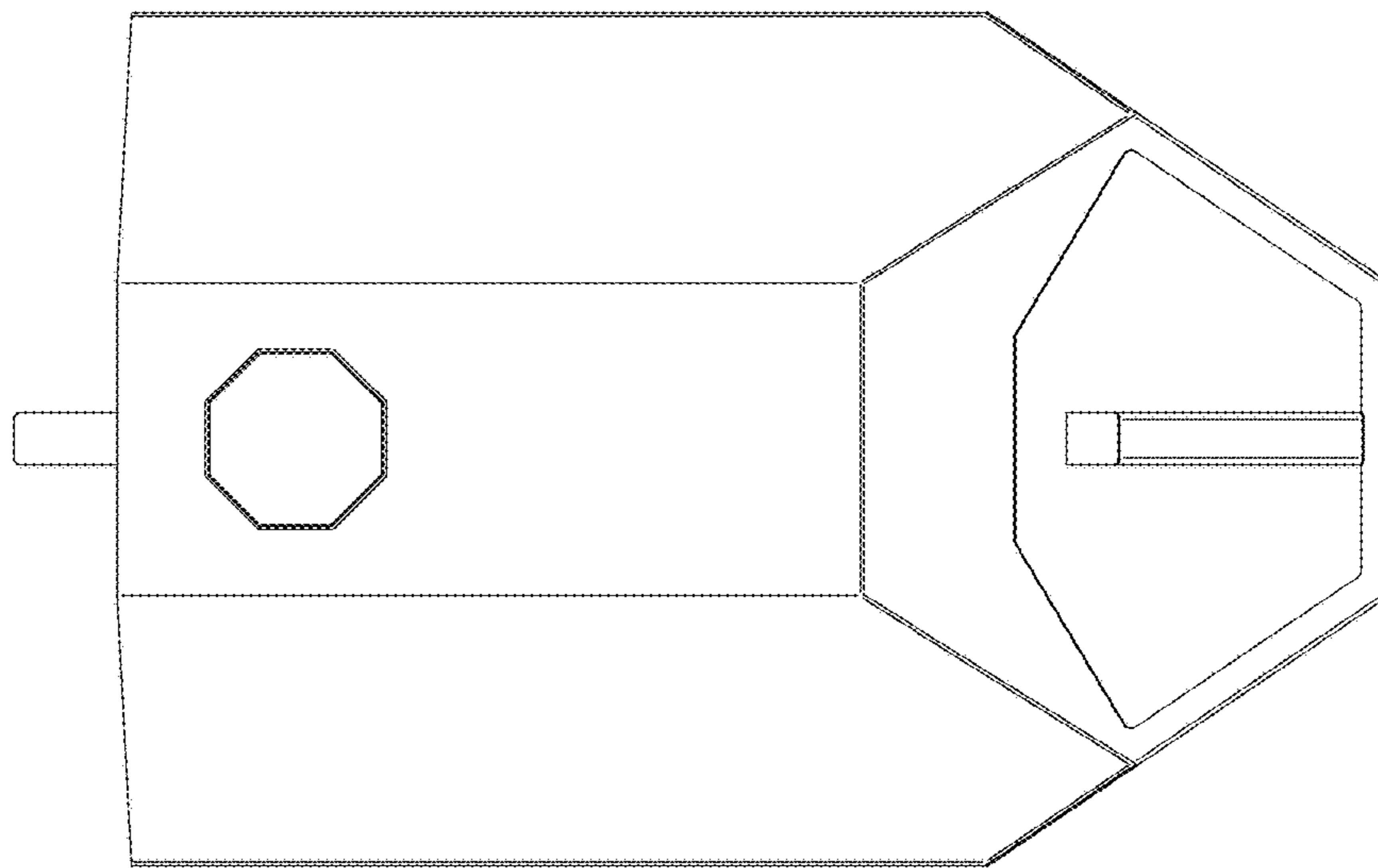


FIG. 4

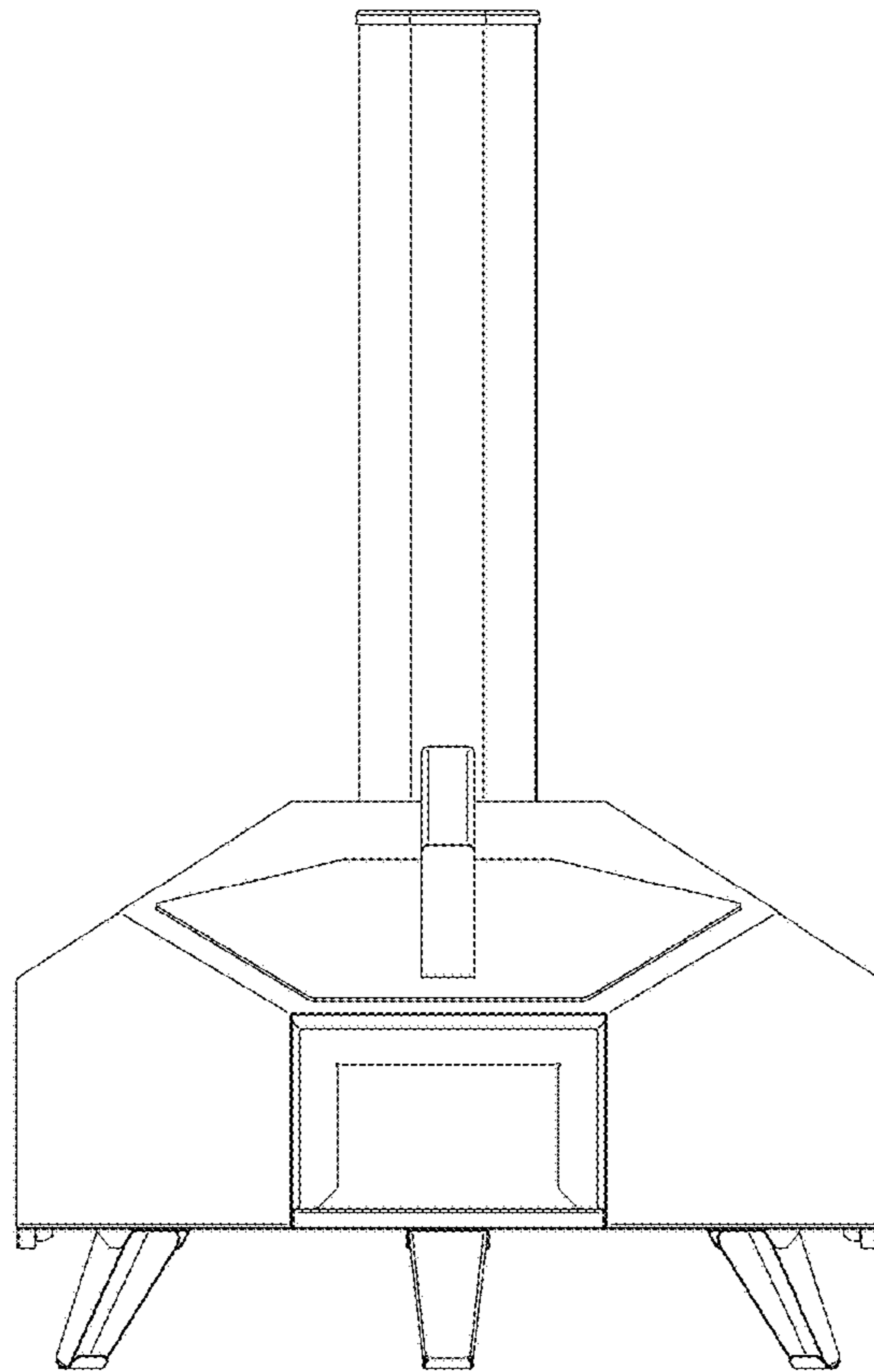


FIG. 5

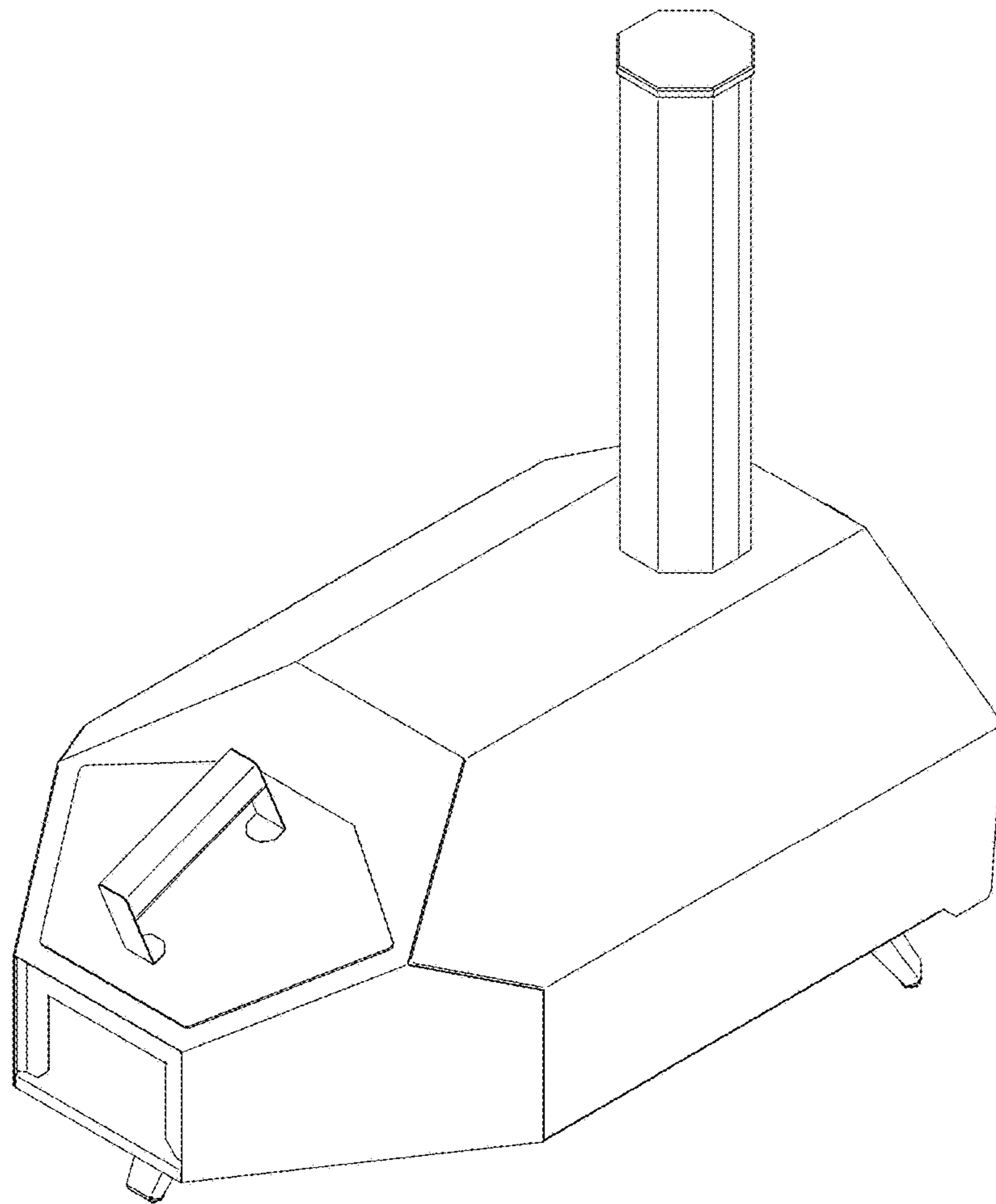


FIG. 6

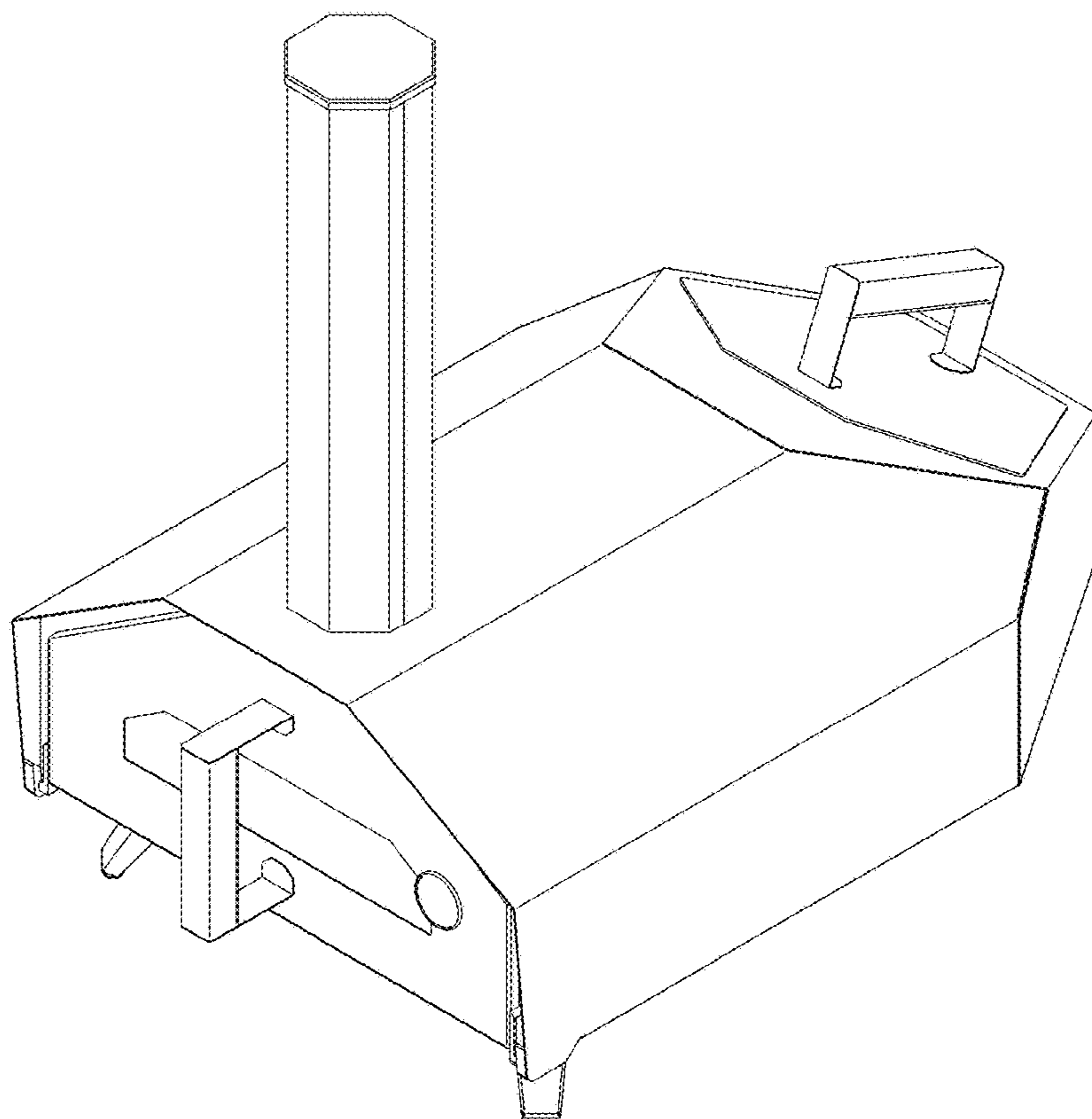


FIG. 7

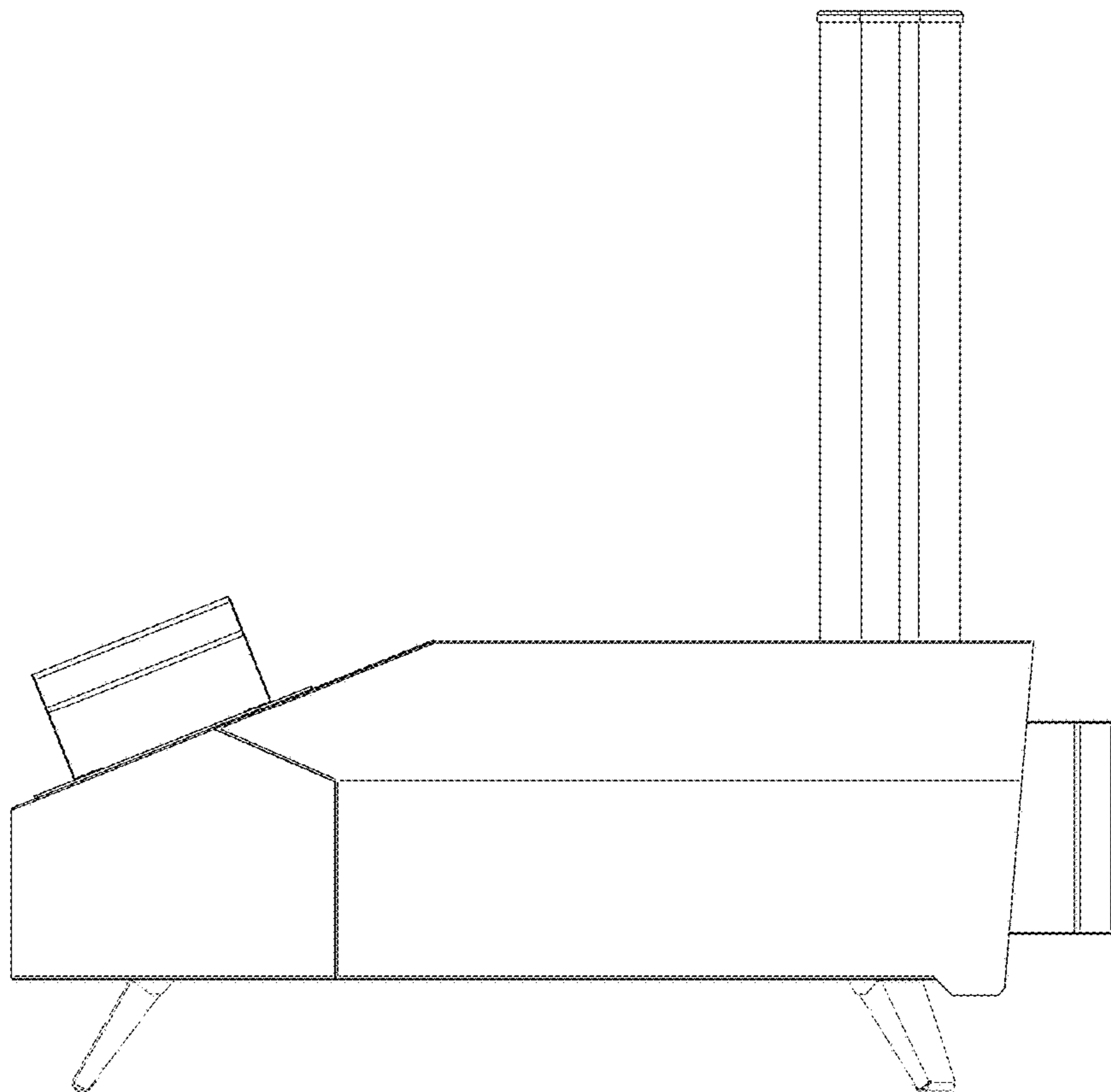


FIG. 8

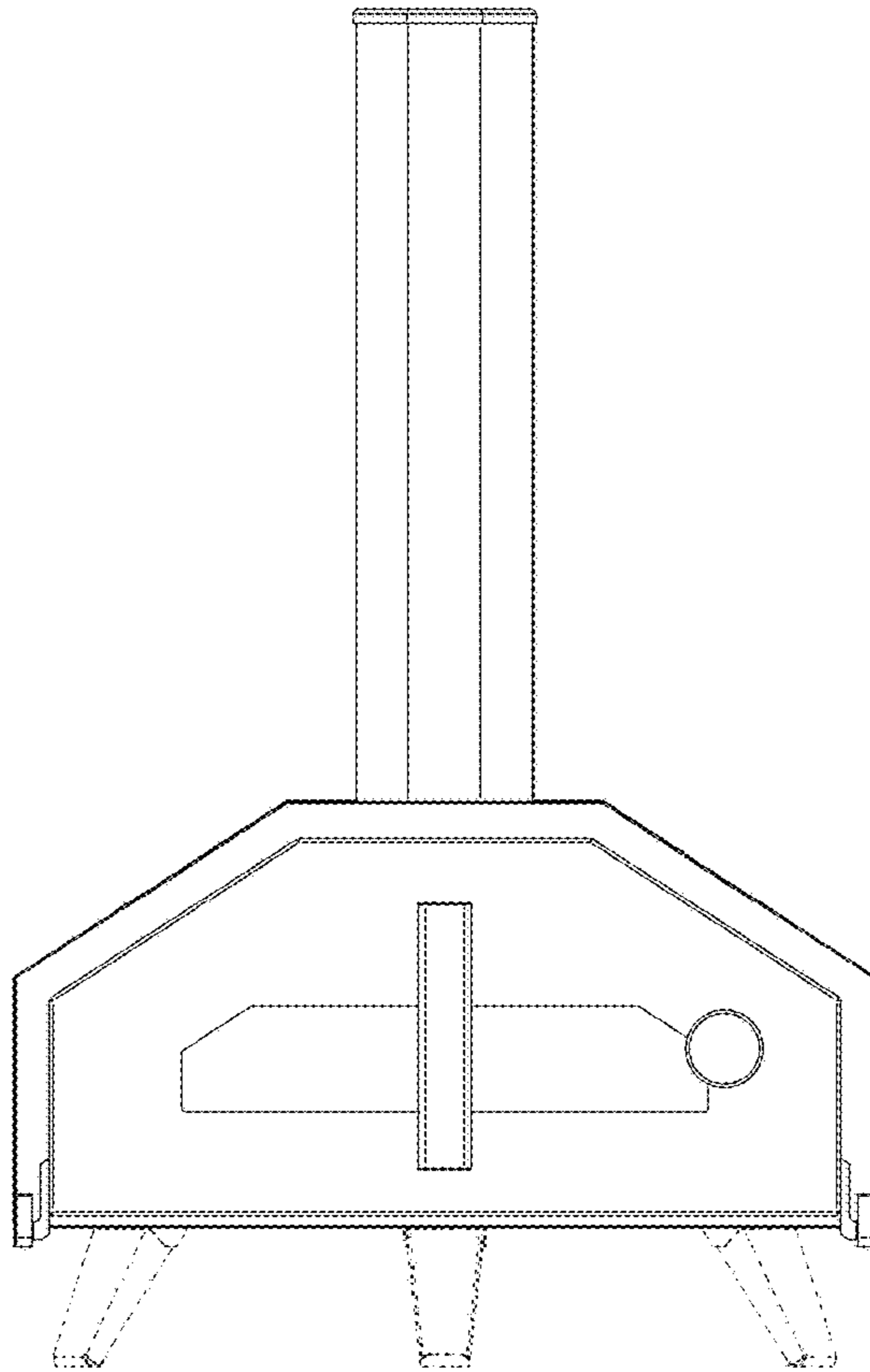


FIG. 9

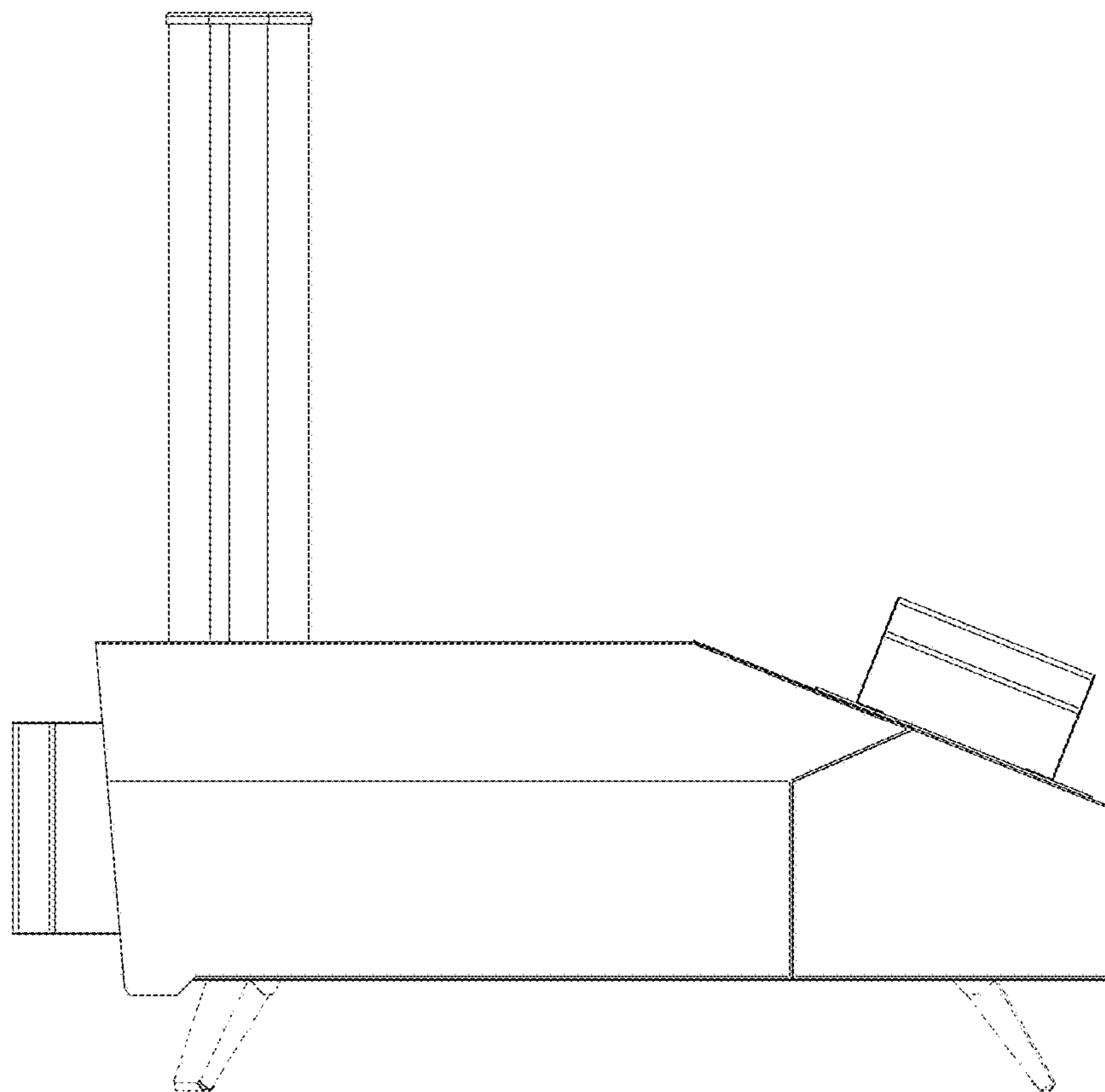


FIG. 10

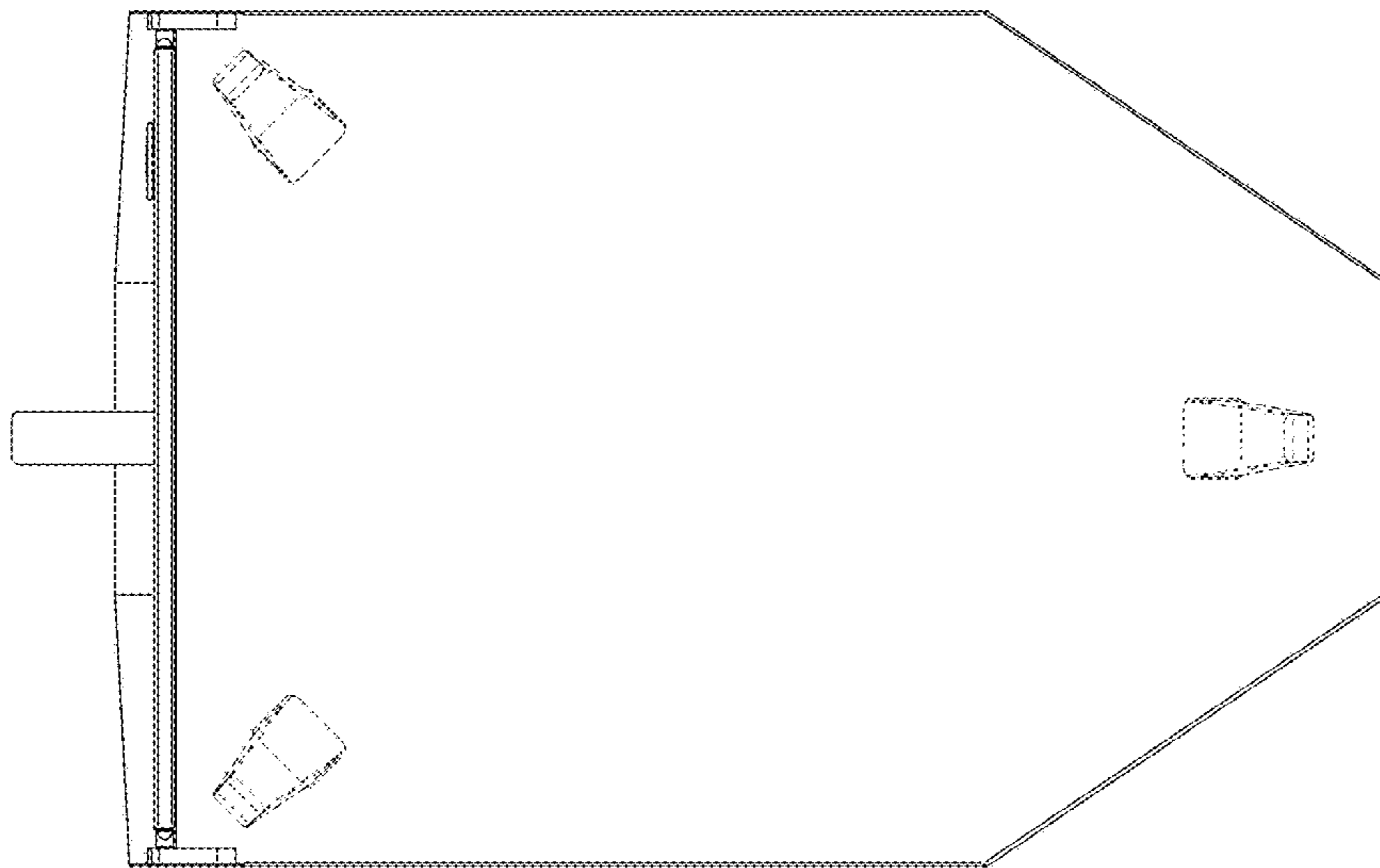


FIG. 11

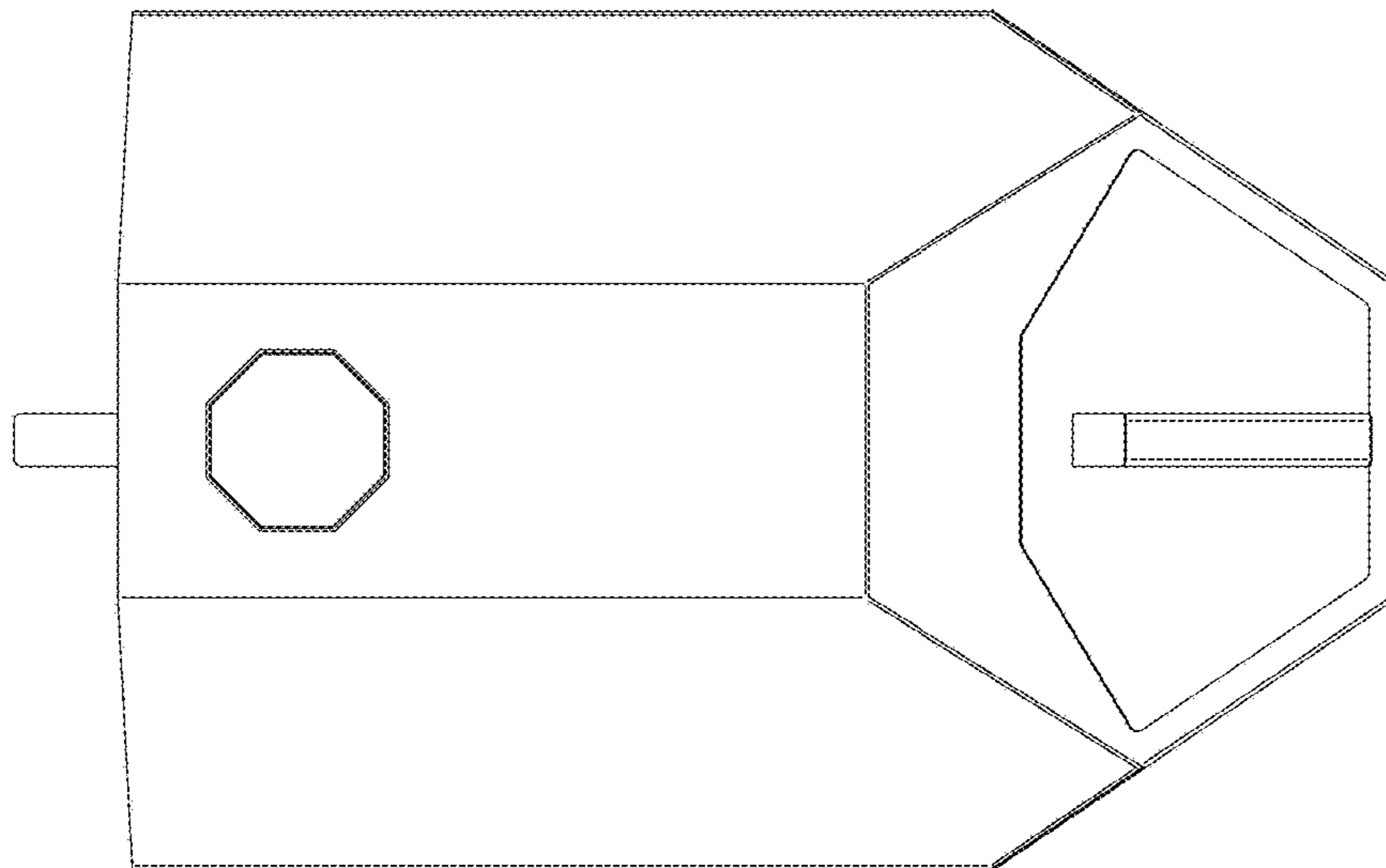


FIG. 12

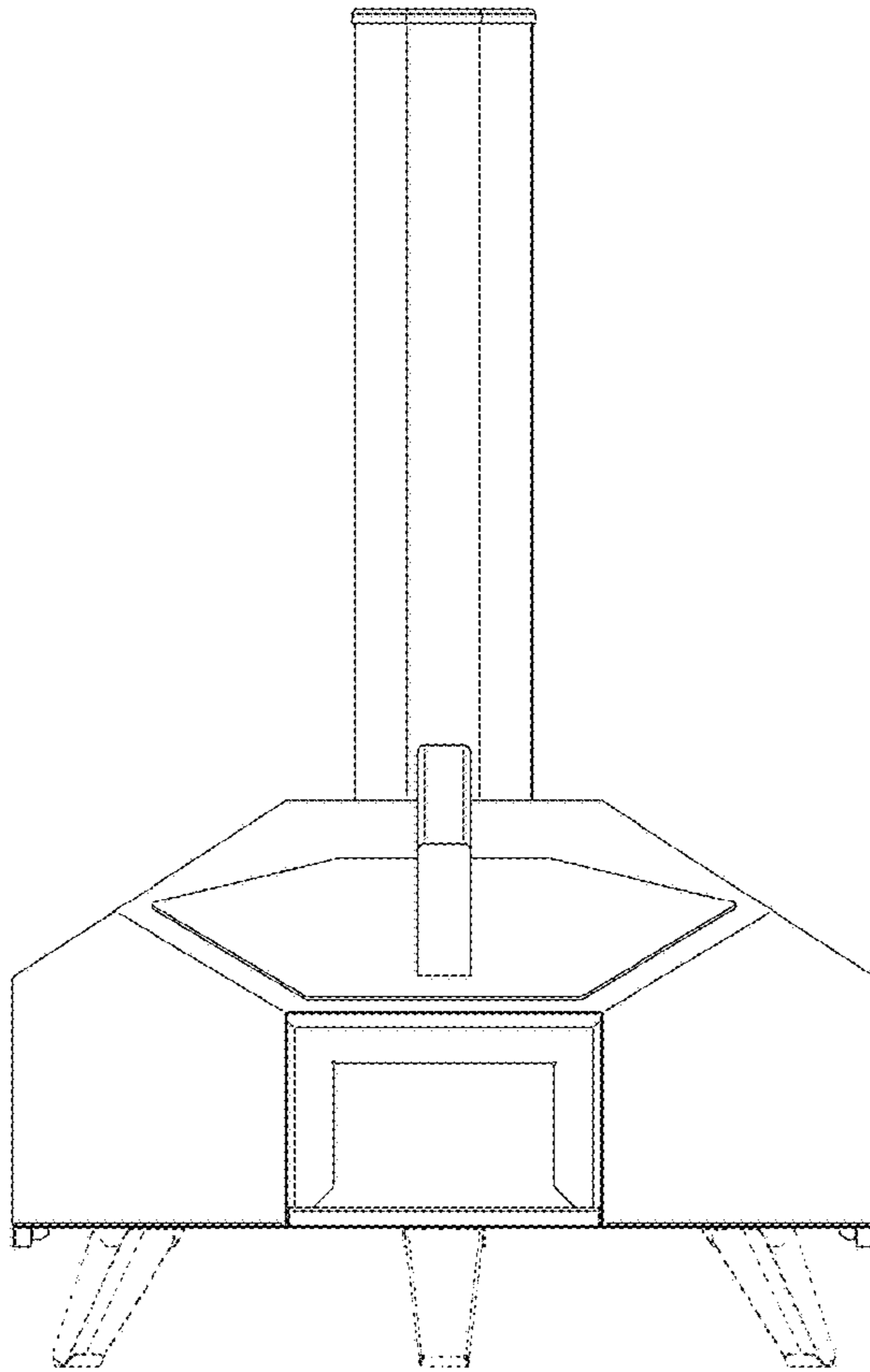


FIG. 13

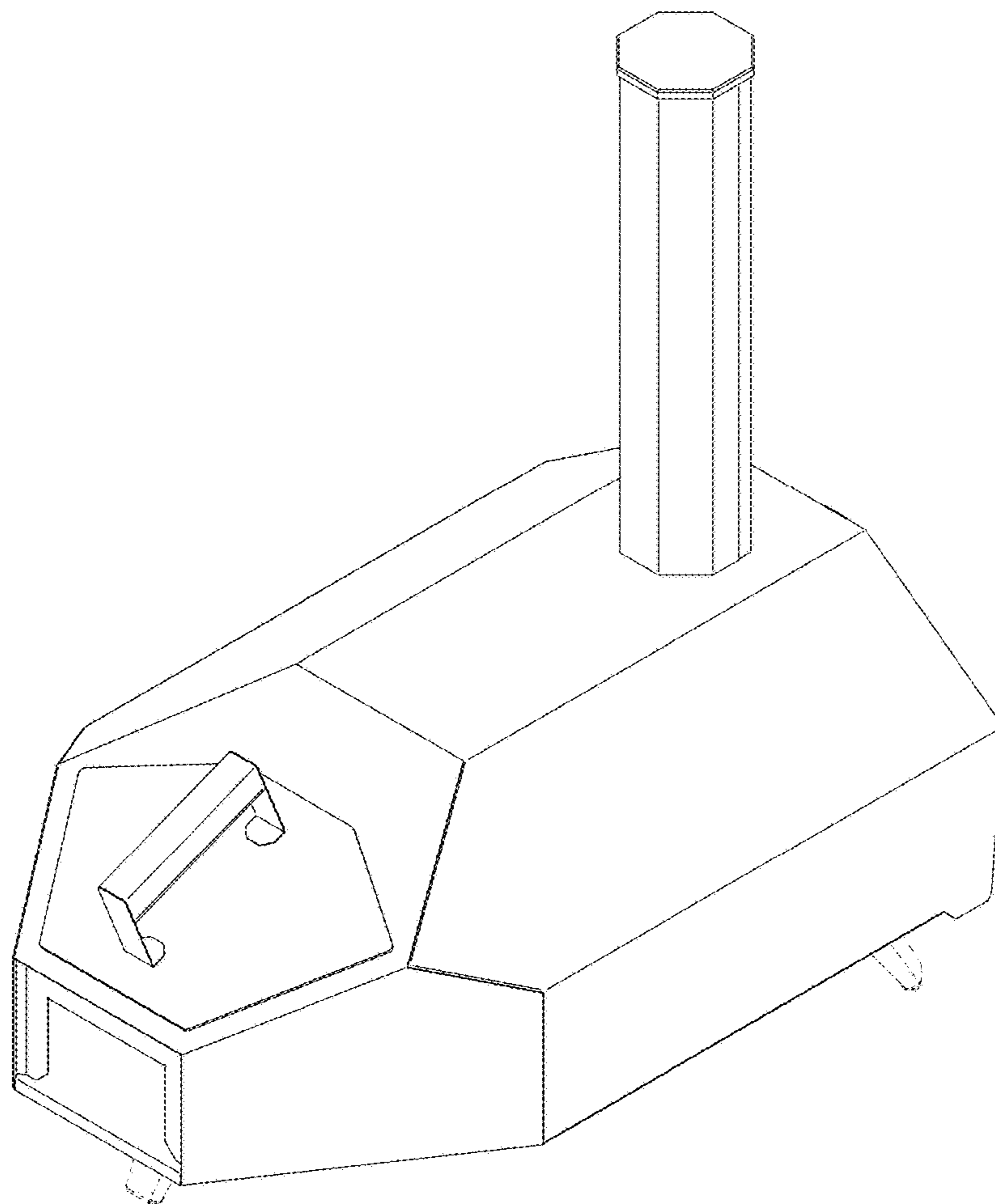


FIG. 14

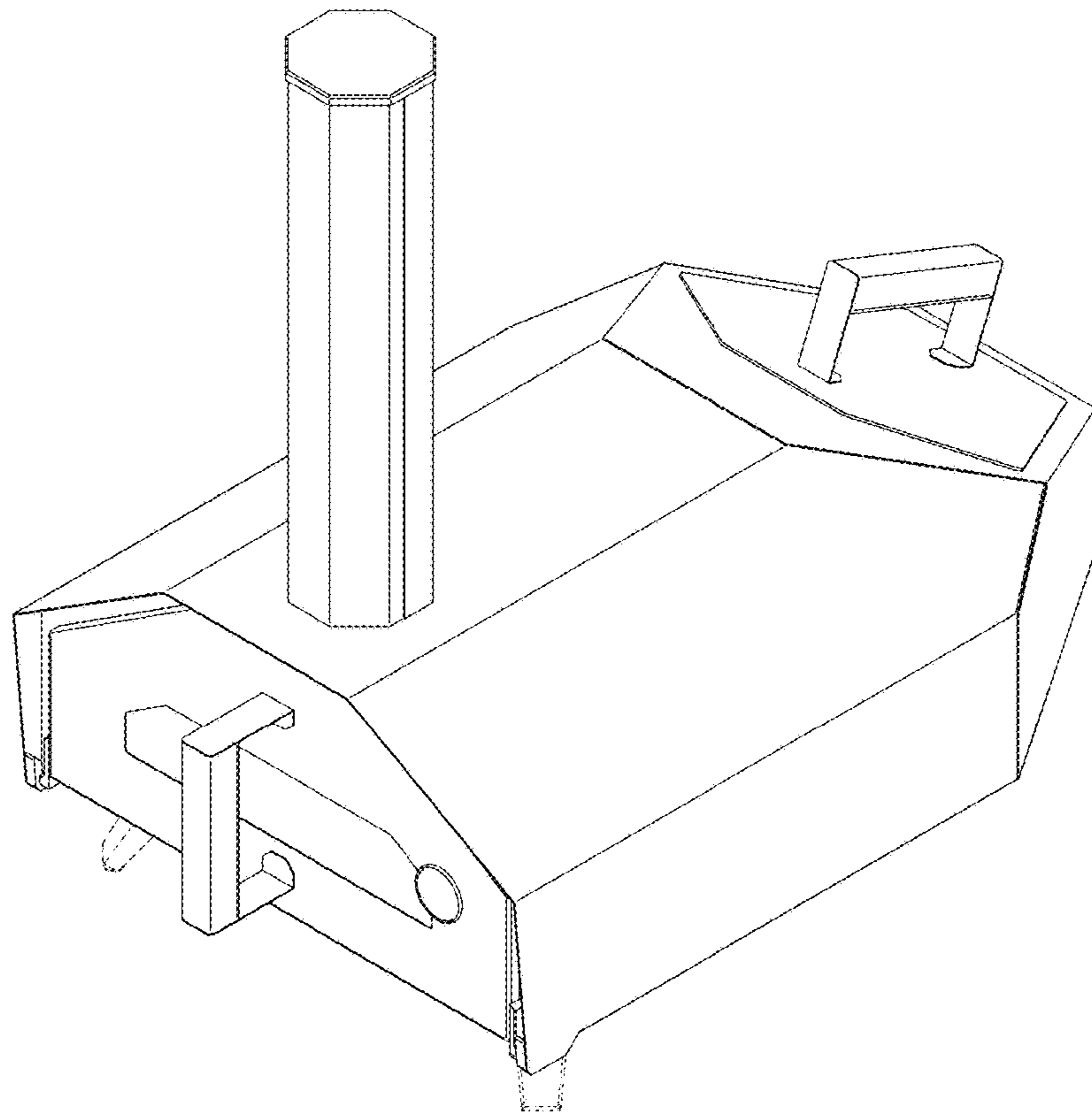


FIG. 15

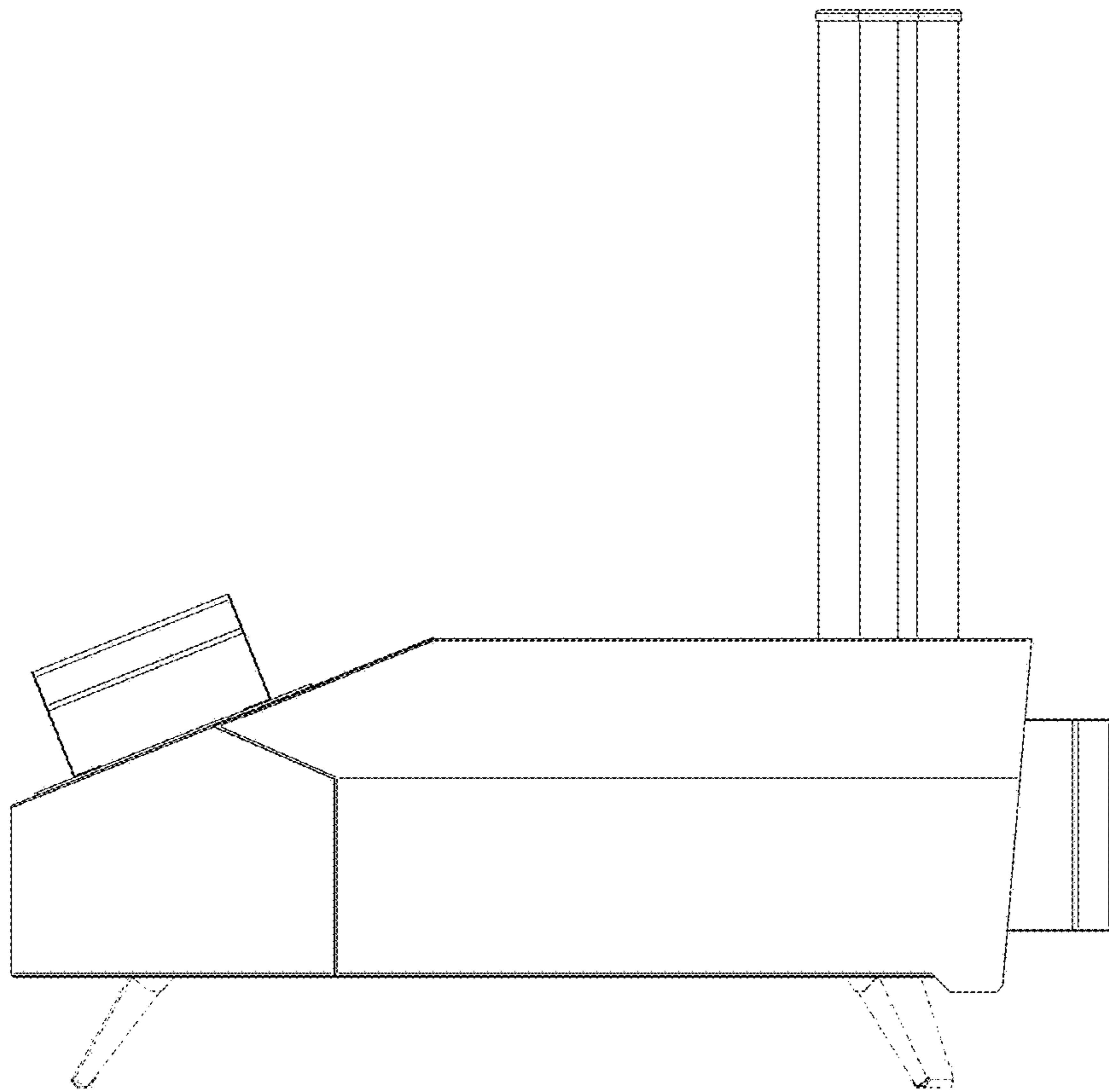


FIG. 16