



US00D853773S

(12) **United States Design Patent**  
**Harrod**

(10) **Patent No.:** **US D853,773 S**  
(45) **Date of Patent:** **\*\* Jul. 16, 2019**

(54) **DRIP COFFEE APPARATUS**  
(71) Applicant: **Breville Pty Limited**, Alexandria, NSW (AU)  
(72) Inventor: **Richard Harrod**, Erskineville (AU)  
(73) Assignee: **Breville Pty Limited**, Alexandria (AU)  
(\*\*) Term: **15 Years**

D707,070 S *	6/2014	De'Longhi	.....	D7/309
D719,781 S *	12/2014	Cauwood	.....	D7/397
D720,567 S *	1/2015	Cauwood	.....	D7/306
D721,911 S *	2/2015	Cauwood	.....	D7/306
D741,101 S *	10/2015	Luippold	.....	D7/306
D742,680 S *	11/2015	Burrows	.....	D7/309
D756,157 S *	5/2016	Murphy	.....	D7/306
D756,696 S *	5/2016	Murphy	.....	D7/306
D765,455 S *	9/2016	de Gooijer	.....	D7/309
D777,499 S *	1/2017	McConnell	.....	D7/309
D812,971 S *	3/2018	Moon, II	.....	D7/397

\* cited by examiner

(21) Appl. No.: **29/598,623**  
(22) Filed: **Mar. 28, 2017**

*Primary Examiner* — Marianne N Pandozzi  
(74) *Attorney, Agent, or Firm* — Moser Taboada

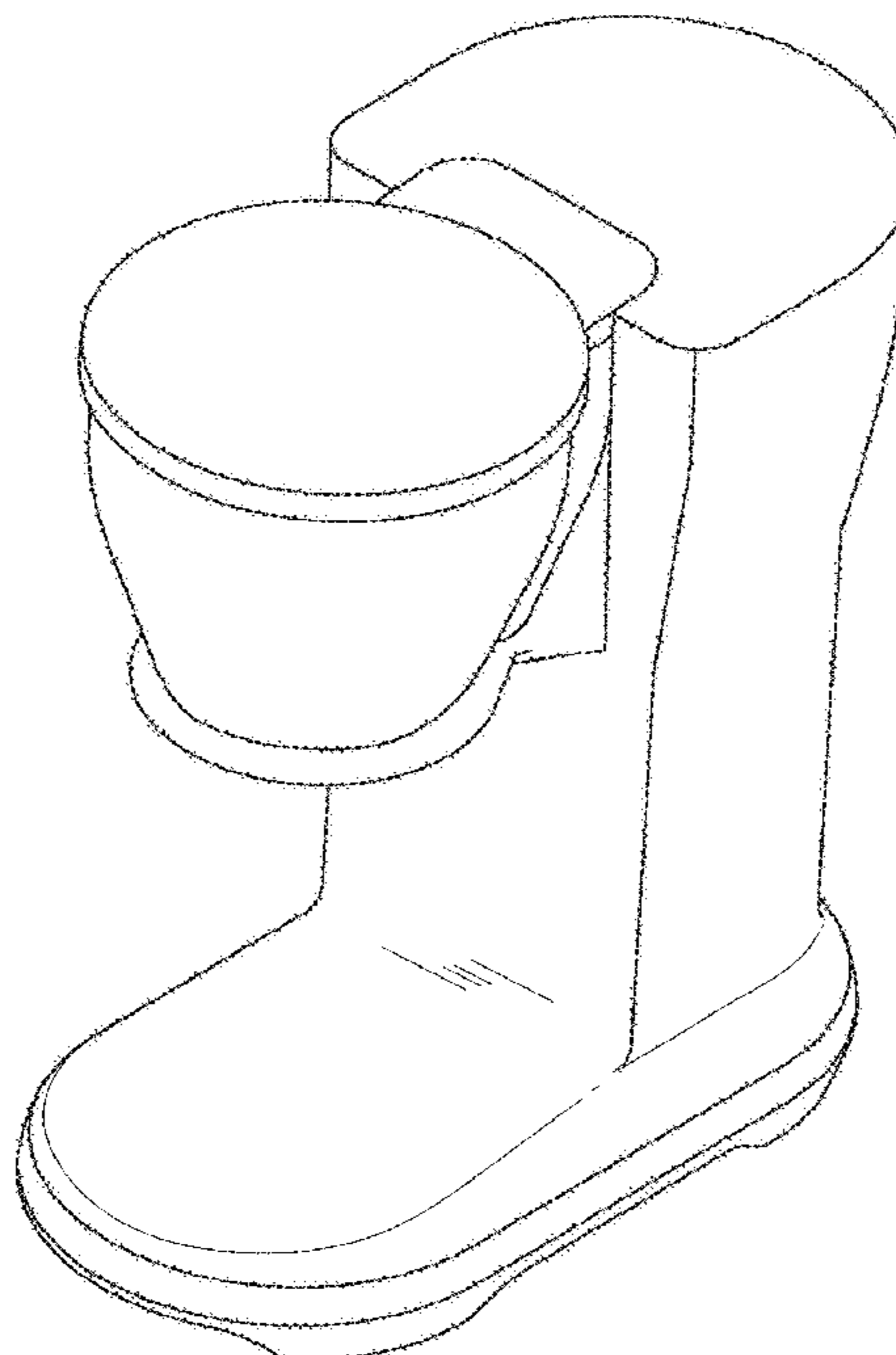
(30) **Foreign Application Priority Data**  
Sep. 28, 2016 (AU) ..... 201615455  
(51) **LOC (11) Cl.** ..... **07-01**  
(52) **U.S. Cl.**  
USPC ..... **D7/309; D7/311**  
(58) **Field of Classification Search**  
USPC ..... D7/300, 306-313; 220/666; D23/207  
CPC ..... B65D 21/086; A61J 1/05  
See application file for complete search history.

(57) **CLAIM**  
The ornamental design for a drip coffee apparatus, as shown and described.

(56) **References Cited**  
**U.S. PATENT DOCUMENTS**  
D585,229 S \* 1/2009 de Visser ..... D7/309  
D670,132 S \* 11/2012 De'Longhi ..... D7/309

**DESCRIPTION**  
FIG. 1 is a front perspective view of a drip coffee apparatus showing my new design;  
FIG. 2 is a rear perspective view thereof;  
FIG. 3 is a front view thereof;  
FIG. 4 is a back view thereof;  
FIG. 5 is a left side view thereof;  
FIG. 6 is a right side view thereof;  
FIG. 7 is a top view thereof; and,  
FIG. 8 is a bottom view thereof.

**1 Claim, 8 Drawing Sheets**



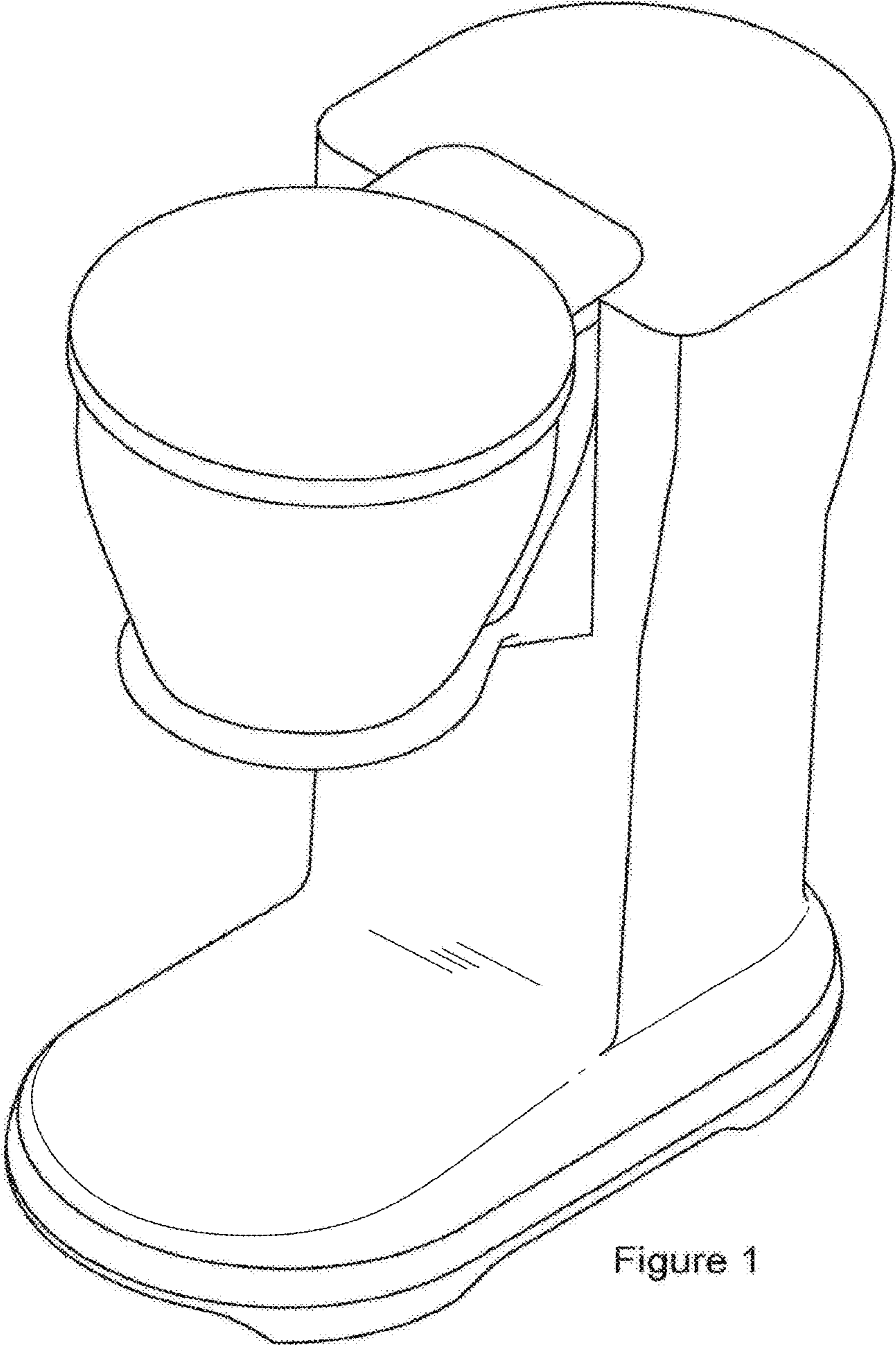
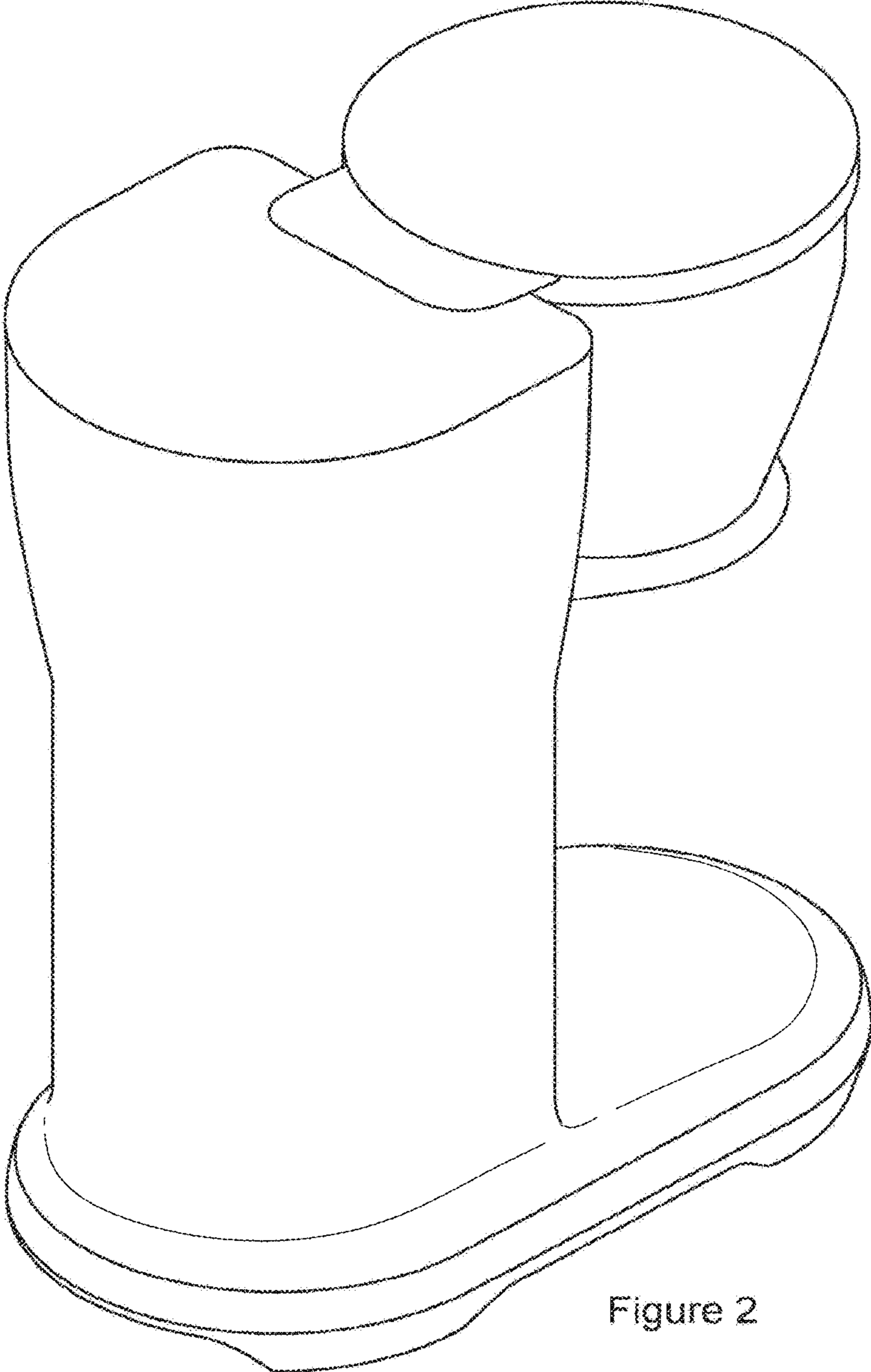


Figure 1



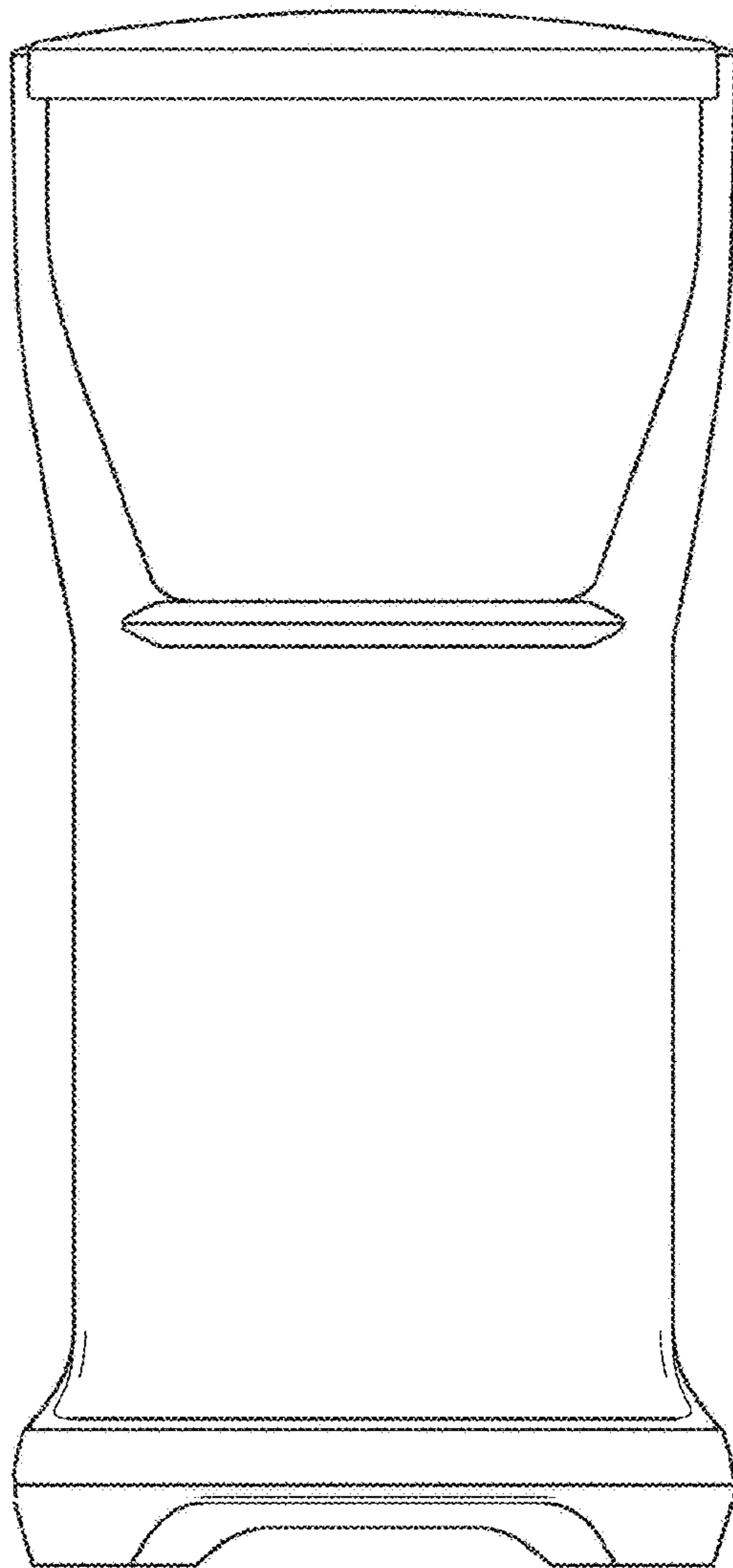


Figure 3

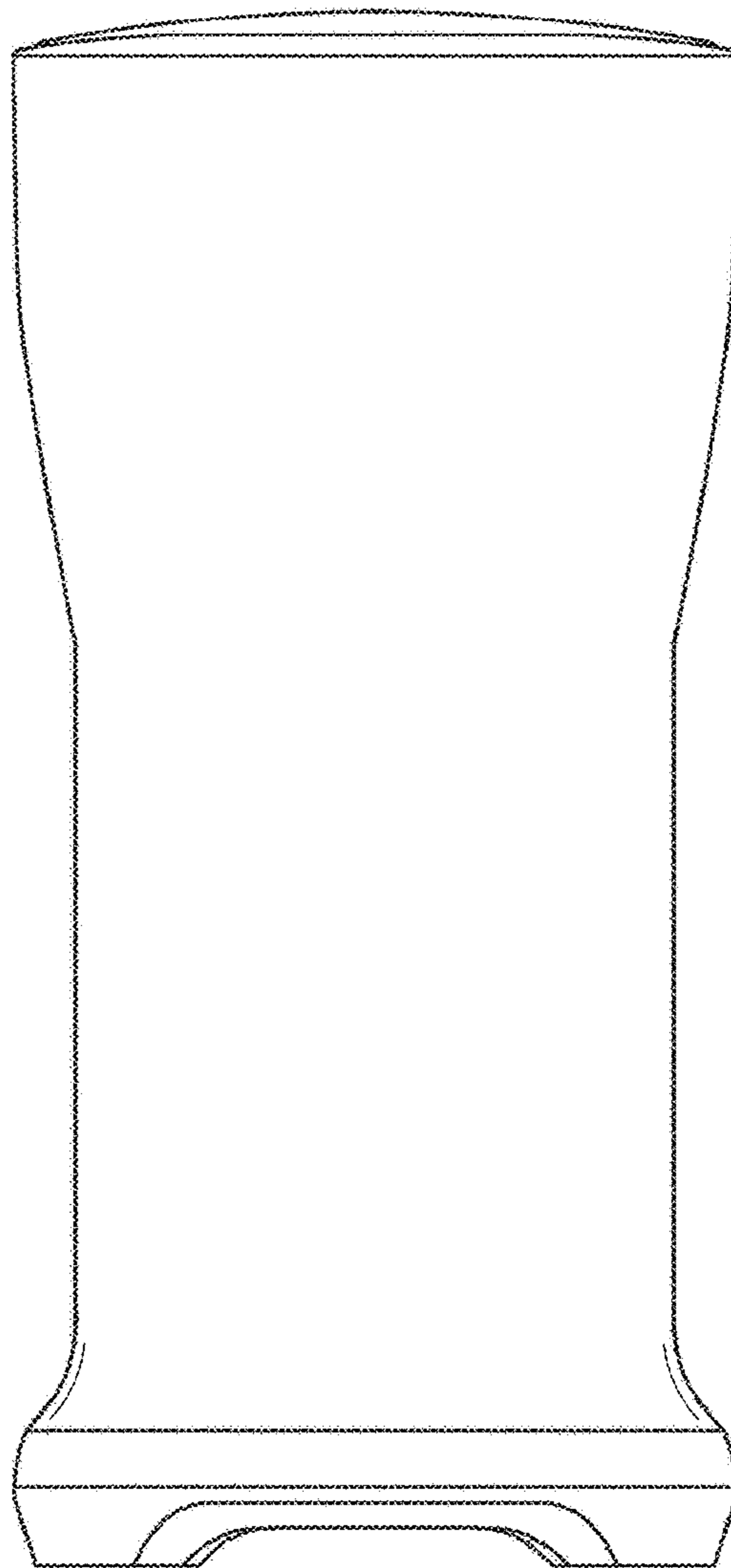


Figure 4

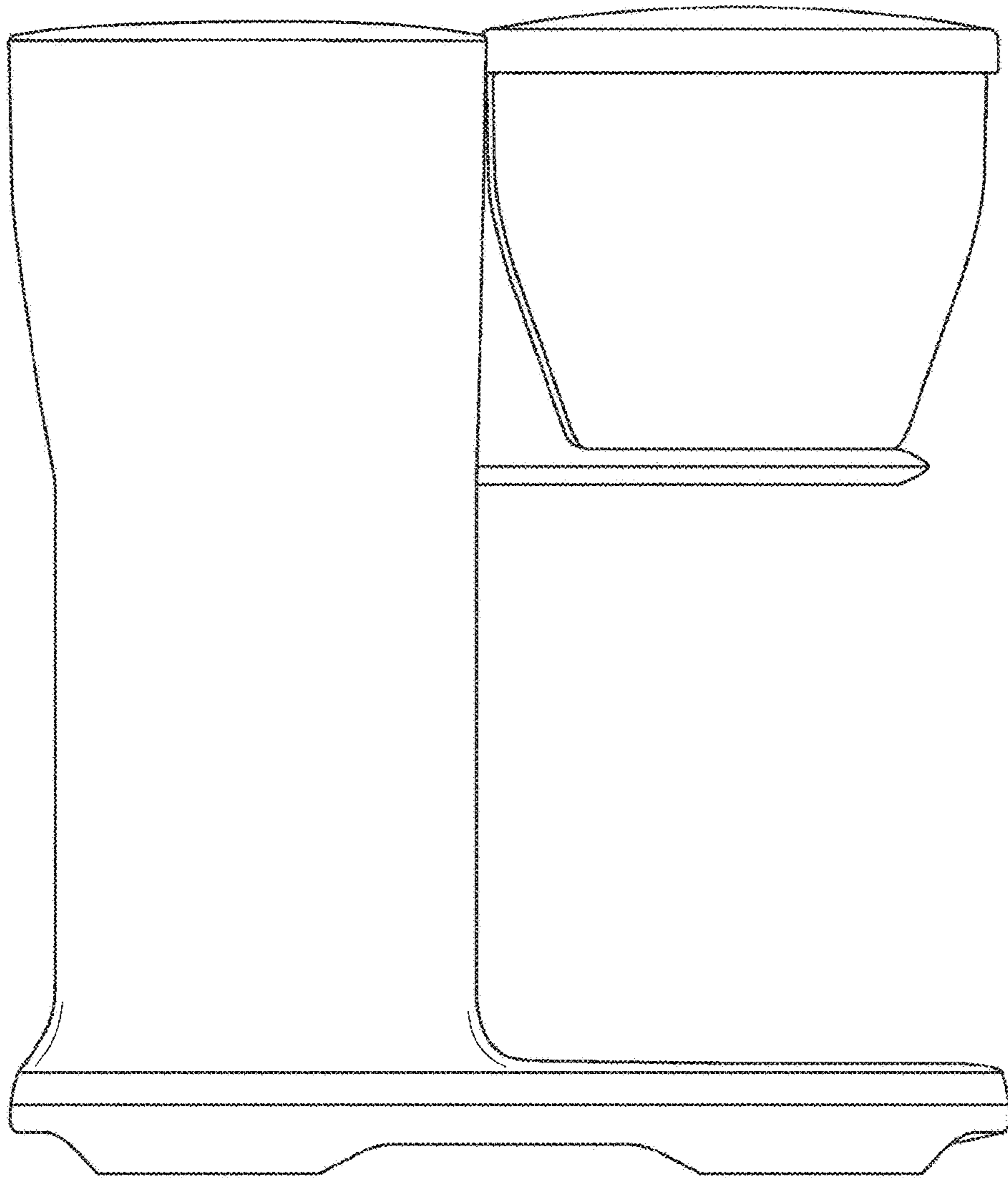


Figure 5



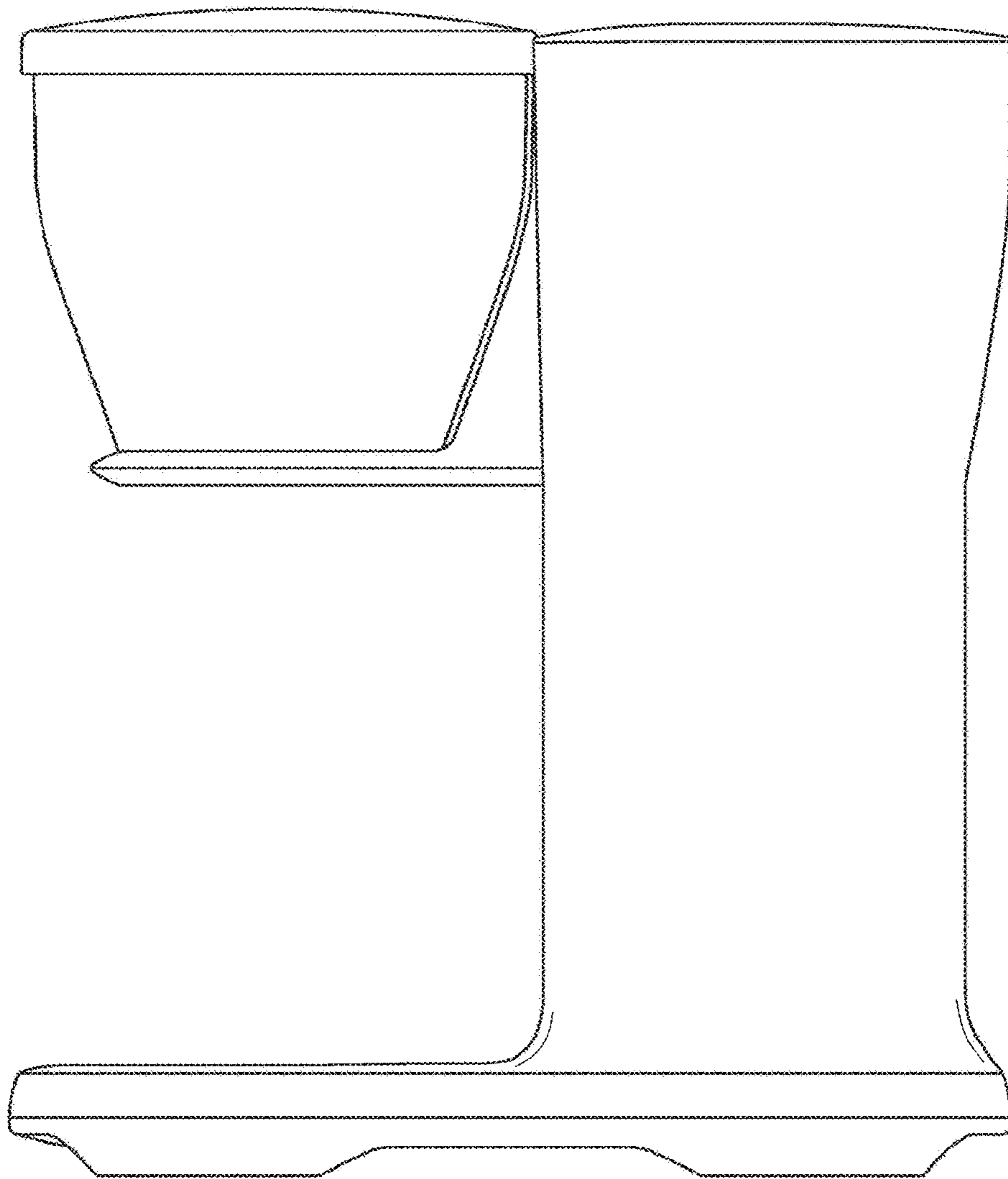


Figure 6

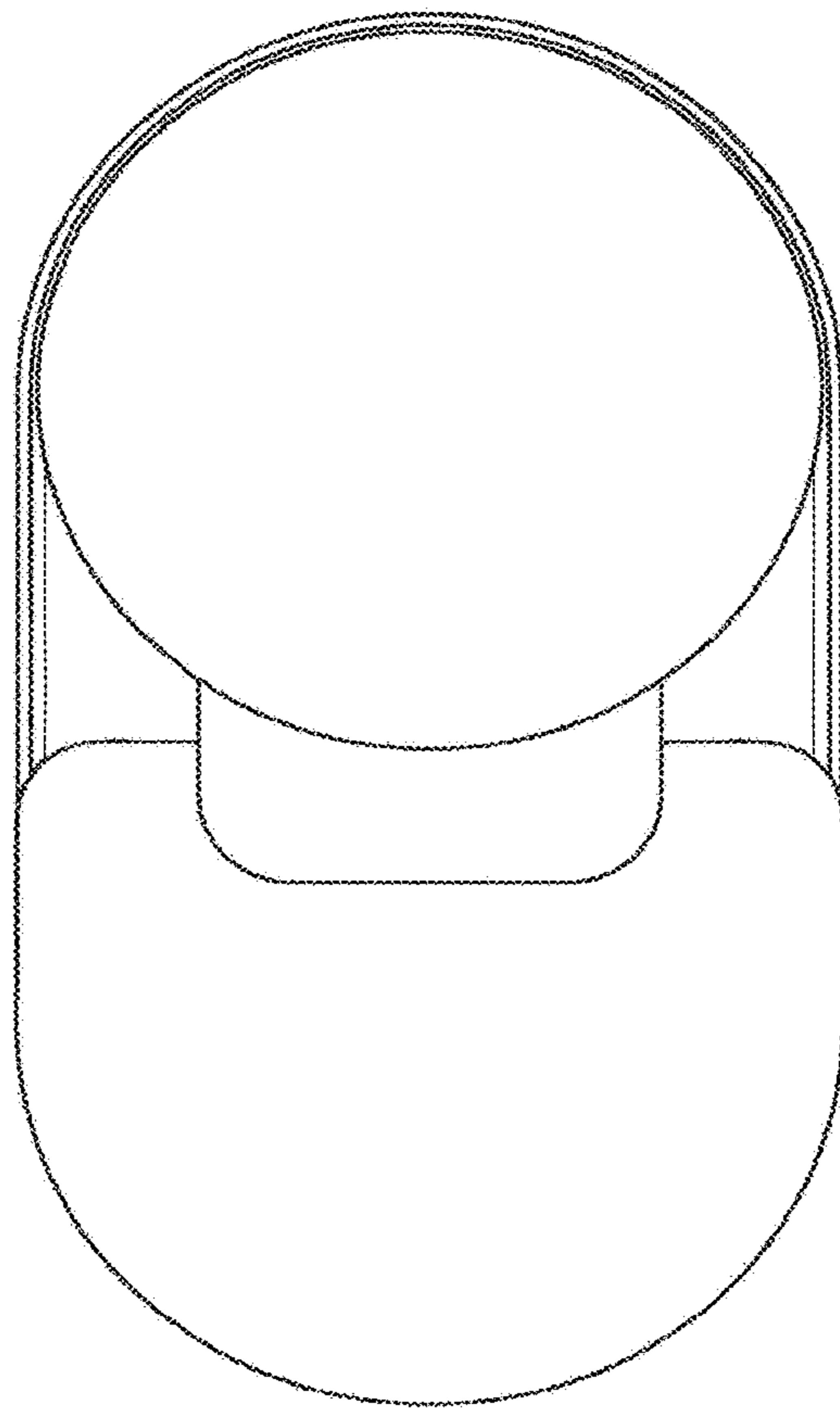


Figure 7



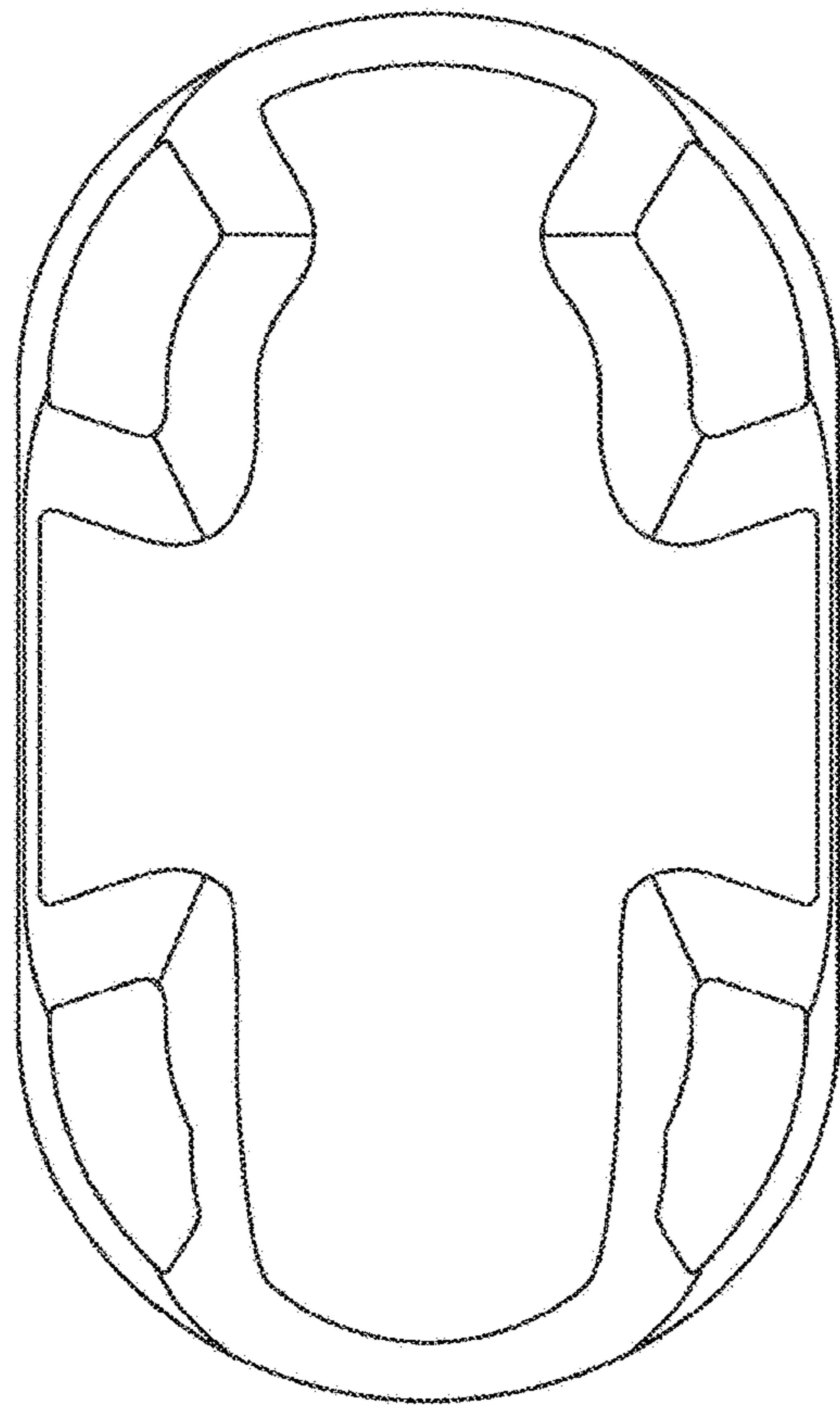


Figure 8