



US00D853772S

(12) **United States Design Patent** (10) **Patent No.:** **US D853,772 S**  
**Park** (45) **Date of Patent:** **\*\* Jul. 16, 2019**

(54) **WATER PURIFIER**  
(71) Applicant: **Coway Co., Ltd.**, Gongju-si (KR)  
(72) Inventor: **Jun Young Park**, Seoul (KR)  
(73) Assignee: **Coway Co., Ltd.**, Gongju-si,  
Choongcheongnam-do (KR)  
(\*\*) Term: **15 Years**  
(21) Appl. No.: **29/629,090**  
(22) Filed: **Dec. 11, 2017**

(30) **Foreign Application Priority Data**

Jun. 26, 2017 (KR) ..... 30-2017-0029251  
(51) **LOC (11) Cl.** ..... **07-01**  
(52) **U.S. Cl.**  
USPC ..... **D7/307**; D7/308; D7/311  
(58) **Field of Classification Search**  
USPC ..... D7/300, 306-311, 305, 397, 355, 362,  
D7/365, 367, 399; 222/146.6, 185.1, 135;  
99/295, 273, 304, 288, 279, 307, 283;  
D20/4  
CPC ..... A47J 31/46; A47J 31/407; A47J 31/50;  
A47J 31/18; A47J 31/00; A47J 27/04;  
A47J 31/0573; A47J 31/52  
See application file for complete search history.

(56) **References Cited**

**U.S. PATENT DOCUMENTS**

D206,519 S \* 12/1966 Wolfe ..... D7/308  
D261,390 S \* 10/1981 Harvill ..... D7/307  
D272,975 S \* 3/1984 Miller ..... D7/309  
D335,062 S \* 4/1993 Kolada ..... D15/80  
D368,617 S \* 4/1996 Jackson ..... D7/306  
D408,206 S \* 4/1999 Stafford ..... D7/306  
D453,088 S \* 1/2002 Bell ..... D7/307

D553,416 S \* 10/2007 Lin ..... D7/306  
D600,062 S \* 9/2009 Lavy ..... D7/309  
D604,087 S \* 11/2009 Lavy ..... D7/309  
D658,423 S \* 5/2012 Curtis ..... D7/306  
D669,154 S \* 10/2012 Choi ..... D23/207  
D697,356 S \* 1/2014 Choi ..... D23/207  
D699,501 S \* 2/2014 Arora ..... D7/307  
D702,237 S \* 4/2014 Oberpriller ..... D14/420  
D717,911 S \* 11/2014 Moon ..... D23/207  
D776,970 S \* 1/2017 Broen ..... D7/307  
D822,154 S \* 7/2018 Lee ..... D23/207  
D825,243 S \* 8/2018 Yoon ..... D7/308  
D842,428 S \* 3/2019 Choi ..... D23/207  
2012/0222999 A1\* 9/2012 Ha ..... C02F 1/008  
210/175  
2017/0057802 A1\* 3/2017 Lee ..... B67D 1/0085

\* cited by examiner

*Primary Examiner* — Marianne N Pandozzi  
(74) *Attorney, Agent, or Firm* — Pearl Cohen Zedek  
Latzer Baratz LLP

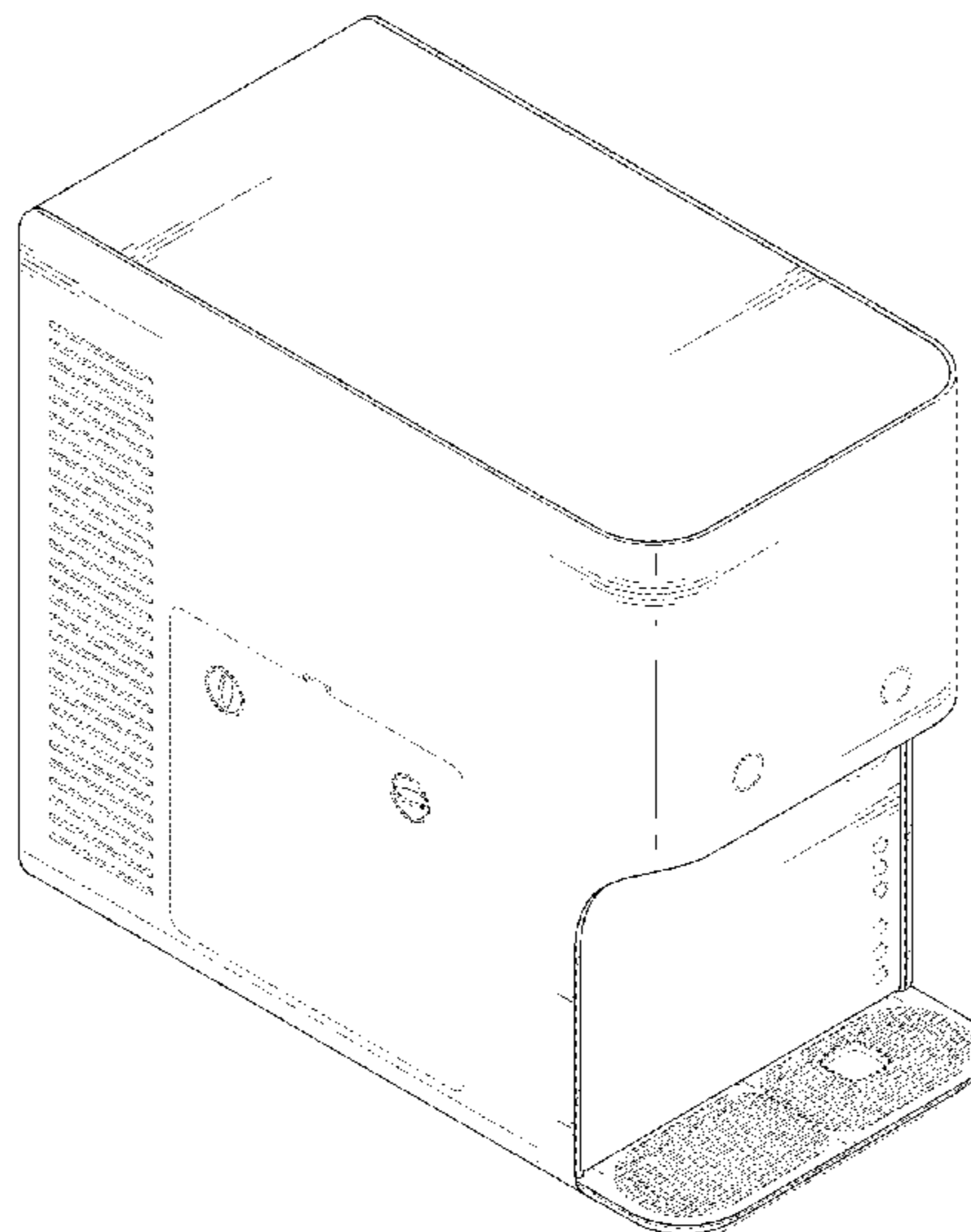
(57) **CLAIM**

The ornamental design for an water purifier, as shown and described.

**DESCRIPTION**

FIG. 1 is a top, front, left side perspective view of the water purifier;  
FIG. 2 is a front elevational view thereof  
FIG. 3 is a back elevational view thereof;  
FIG. 4 is a left side elevational view thereof;  
FIG. 5 is a right side elevational view thereof;  
FIG. 6 is a top plan view thereof;  
FIG. 7 is a bottom plan view thereof; and,  
FIG. 8 is a top, front, right side perspective view of the water purifier.  
The broken lines in the figures show portions of the water purifier that form no part of the claimed design.

**1 Claim, 8 Drawing Sheets**



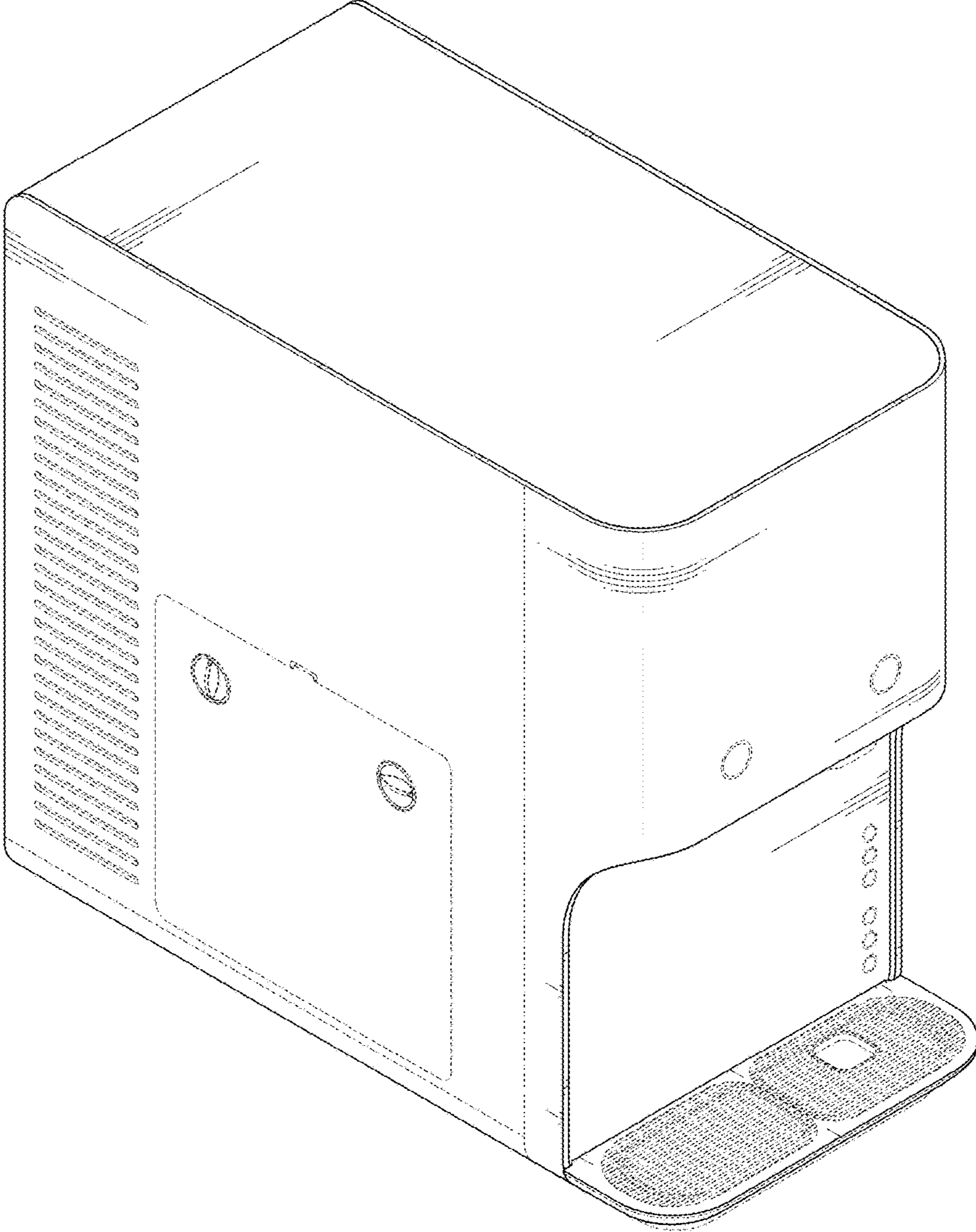


FIG. 1

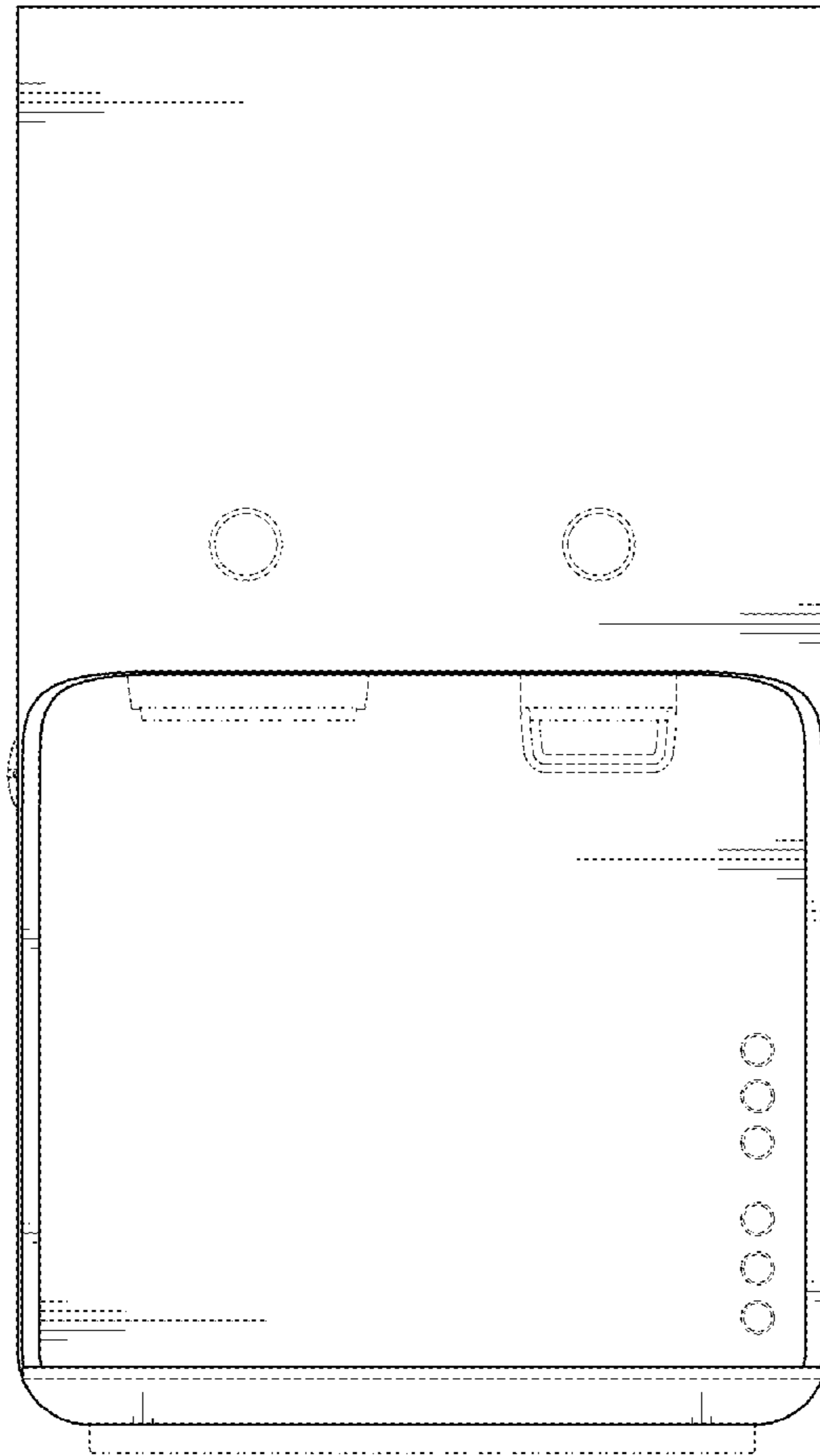


FIG. 2

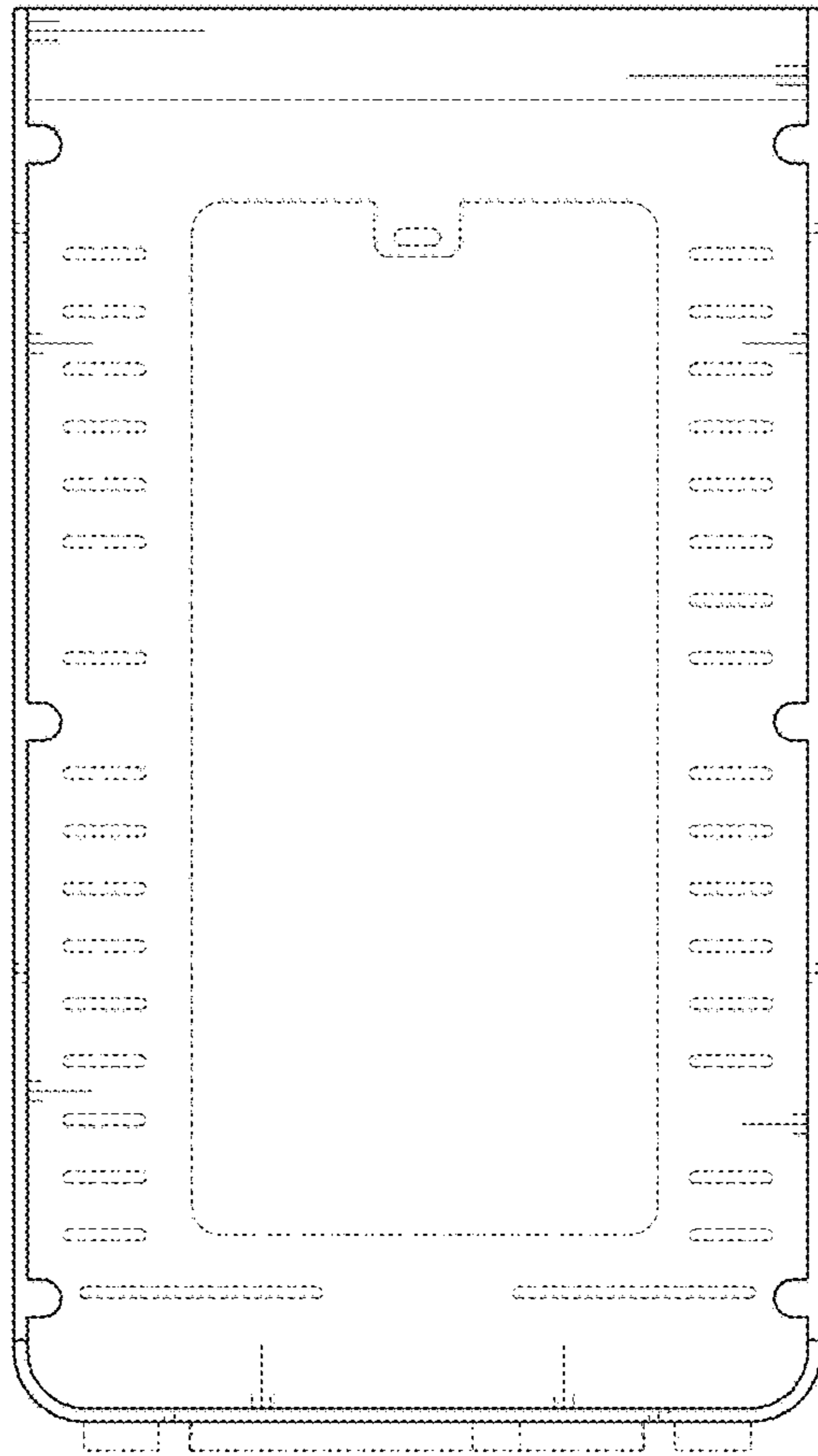


FIG. 3

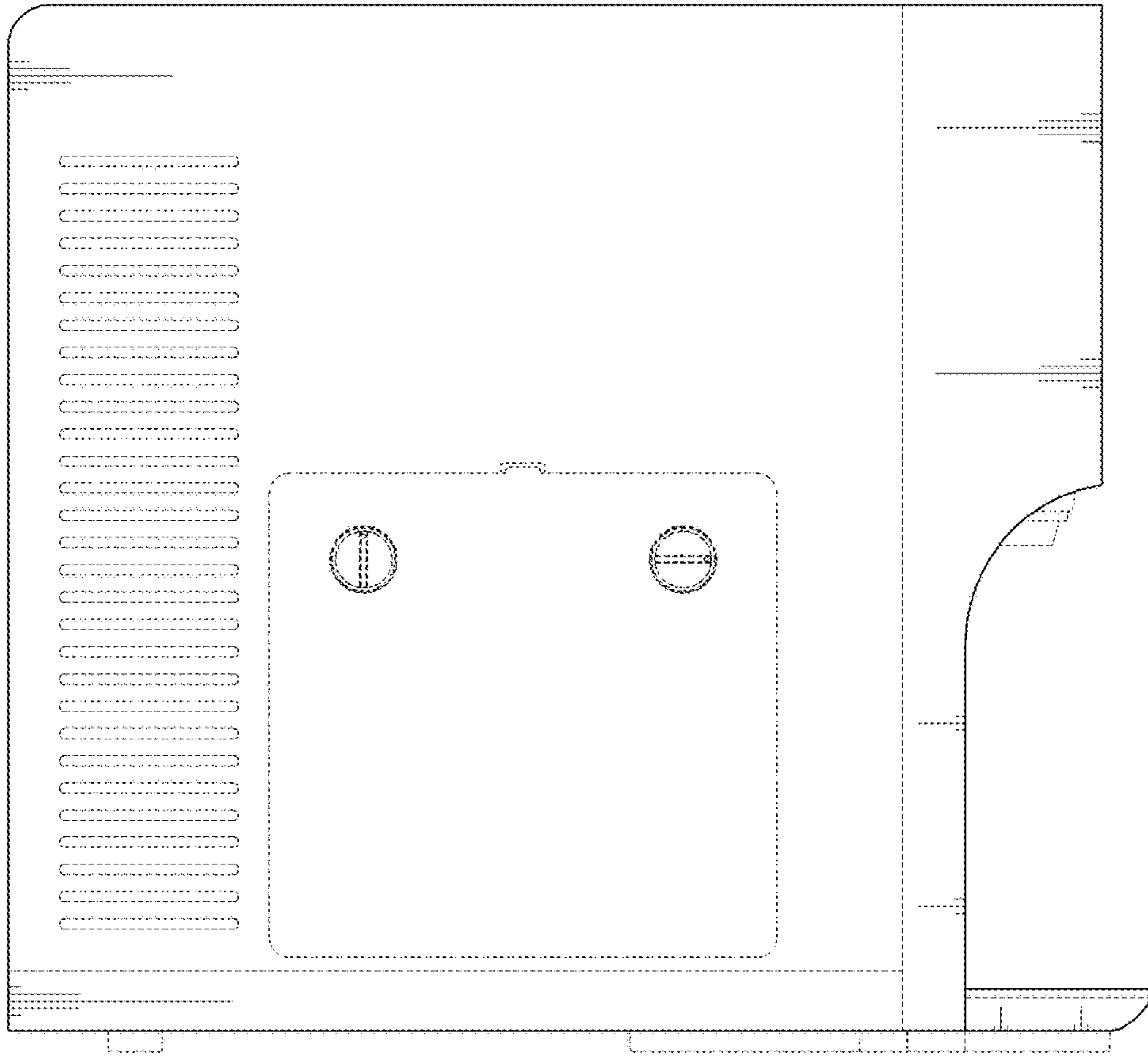


FIG. 4

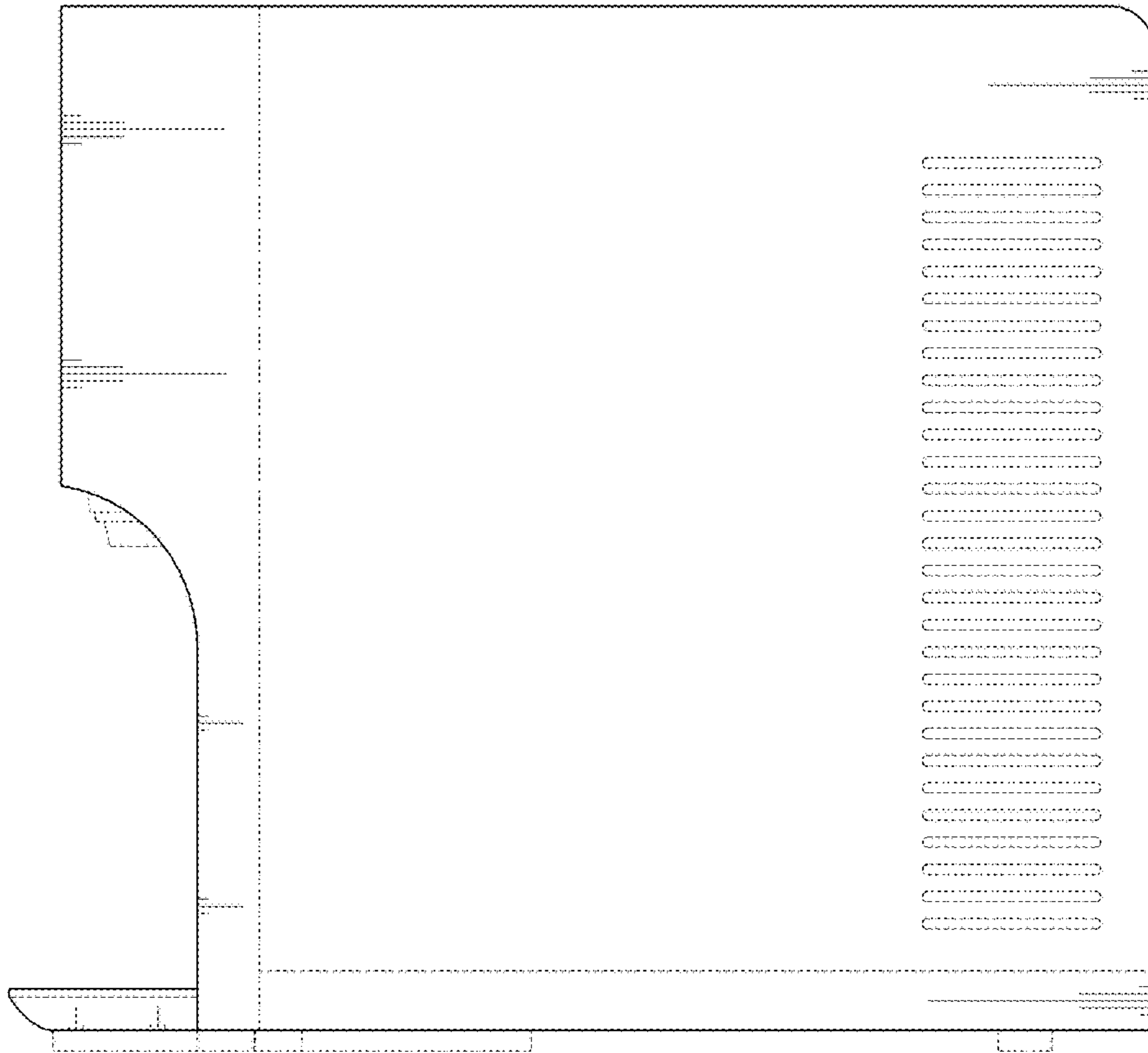


FIG. 5

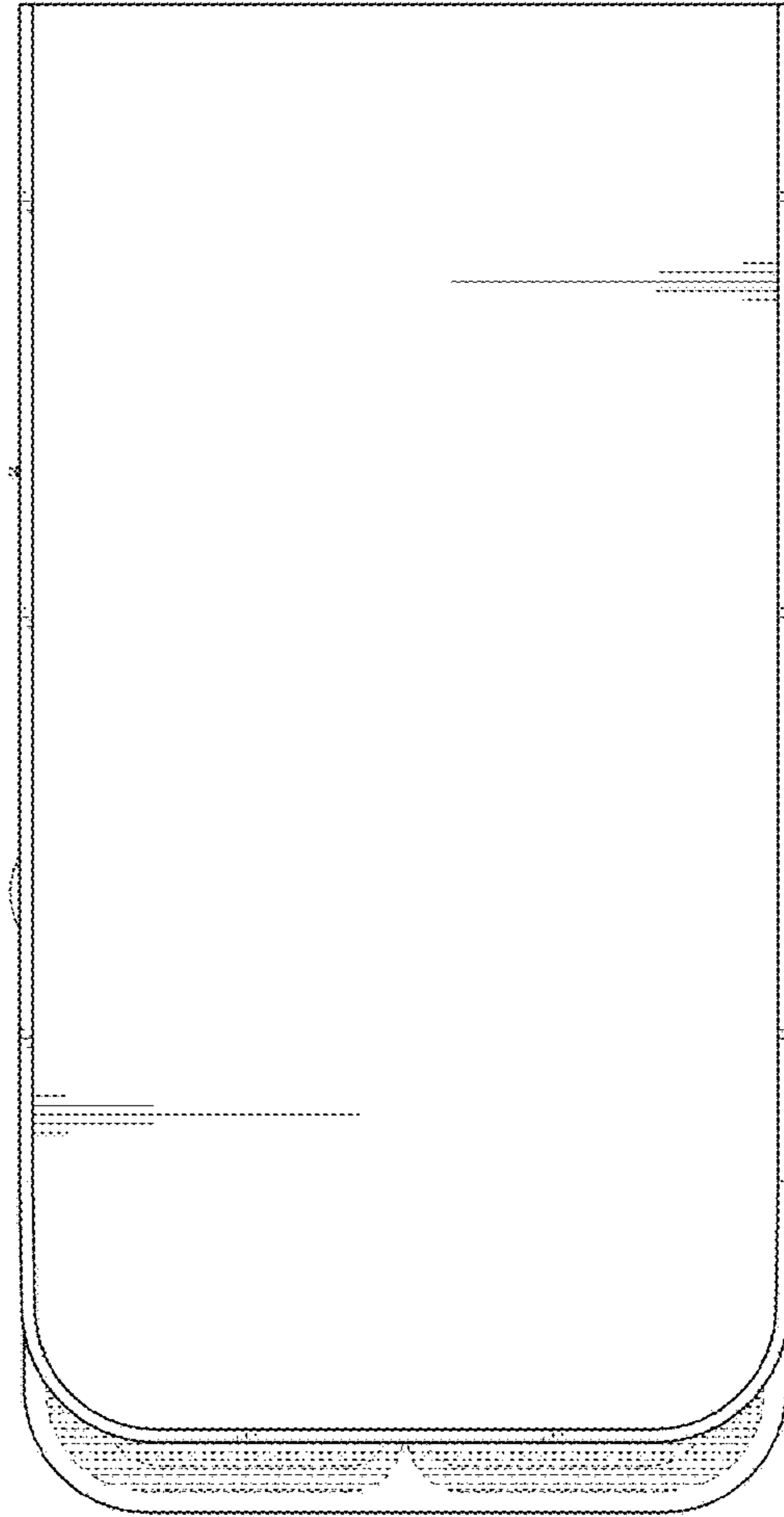


FIG. 6

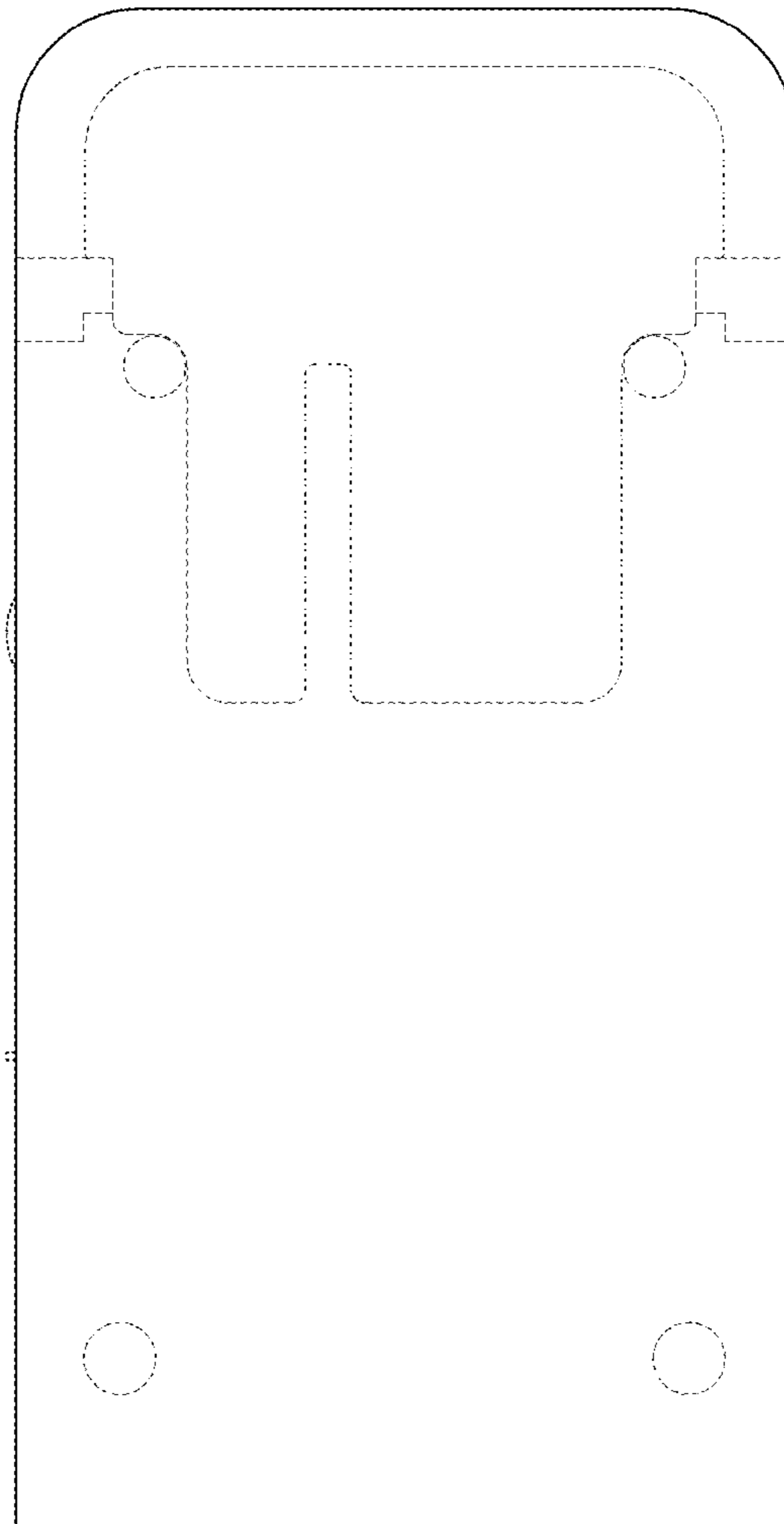


FIG. 7



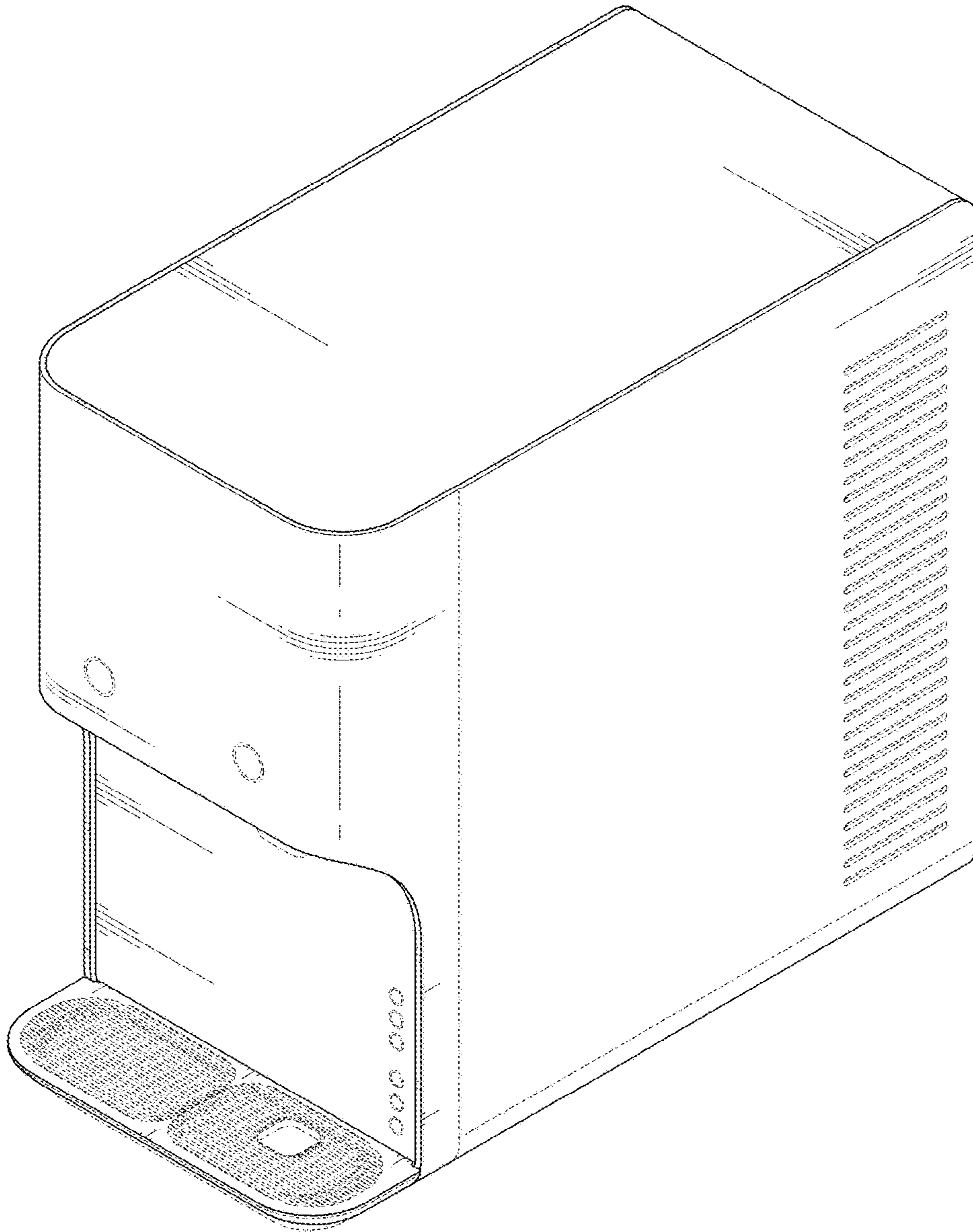


FIG. 8