



US00D853771S

(12) **United States Design Patent**
Wood et al.

(10) **Patent No.:** **US D853,771 S**
(45) **Date of Patent:** **** Jul. 16, 2019**

(54) **BEVERAGE DISPENSER**
(71) Applicant: **Bedford Systems, LLC**, Bedford, MA (US)
(72) Inventors: **Barry Wood**, Norwood, MA (US); **Michael Sack**, North Reading, MA (US); **Enrico Cafaro**, Beverly, MA (US)

D763,613 S * 8/2016 Han D7/306
D763,614 S * 8/2016 Han D7/306
D765,454 S * 9/2016 Romandy D7/309
D788,509 S * 6/2017 Wei D7/305
D803,612 S * 11/2017 Byun D7/309
D821,132 S * 6/2018 Cometti D7/309
D822,421 S * 7/2018 De Pra' D7/309
D828,067 S * 9/2018 De'Longhi D7/309
D831,400 S * 10/2018 Han D7/309
2013/0206013 A1 * 8/2013 De' Longhi A47J 31/4485
99/293

(73) Assignee: **Bedford Systems LLC**, Bedford, MA (US)

* cited by examiner

(**) Term: **15 Years**

Primary Examiner — Marianne N Pandozzi

(74) *Attorney, Agent, or Firm* — Dorsey & Whitney LLP

(21) Appl. No.: **29/641,556**

(57) **CLAIM**

We claim the ornamental design for a beverage dispenser, as shown and described.

(22) Filed: **Mar. 22, 2018**

(51) **LOC (11) Cl.** **07-01**

(52) **U.S. Cl.**

USPC **D7/306**; D7/311

(58) **Field of Classification Search**

USPC D7/305-311, 313; D15/82; 222/129.1, 222/146.6; 99/295

CPC A47J 31/44; A47J 31/4403; A47J 31/46; A47J 31/4489; A47J 31/369; A47J 31/407; A47J 31/10; A47J 31/467; A47J 31/0615; B67D 1/36; B67D 2210/0065; B67D 1/0864; B67D 3/0061

See application file for complete search history.

DESCRIPTION

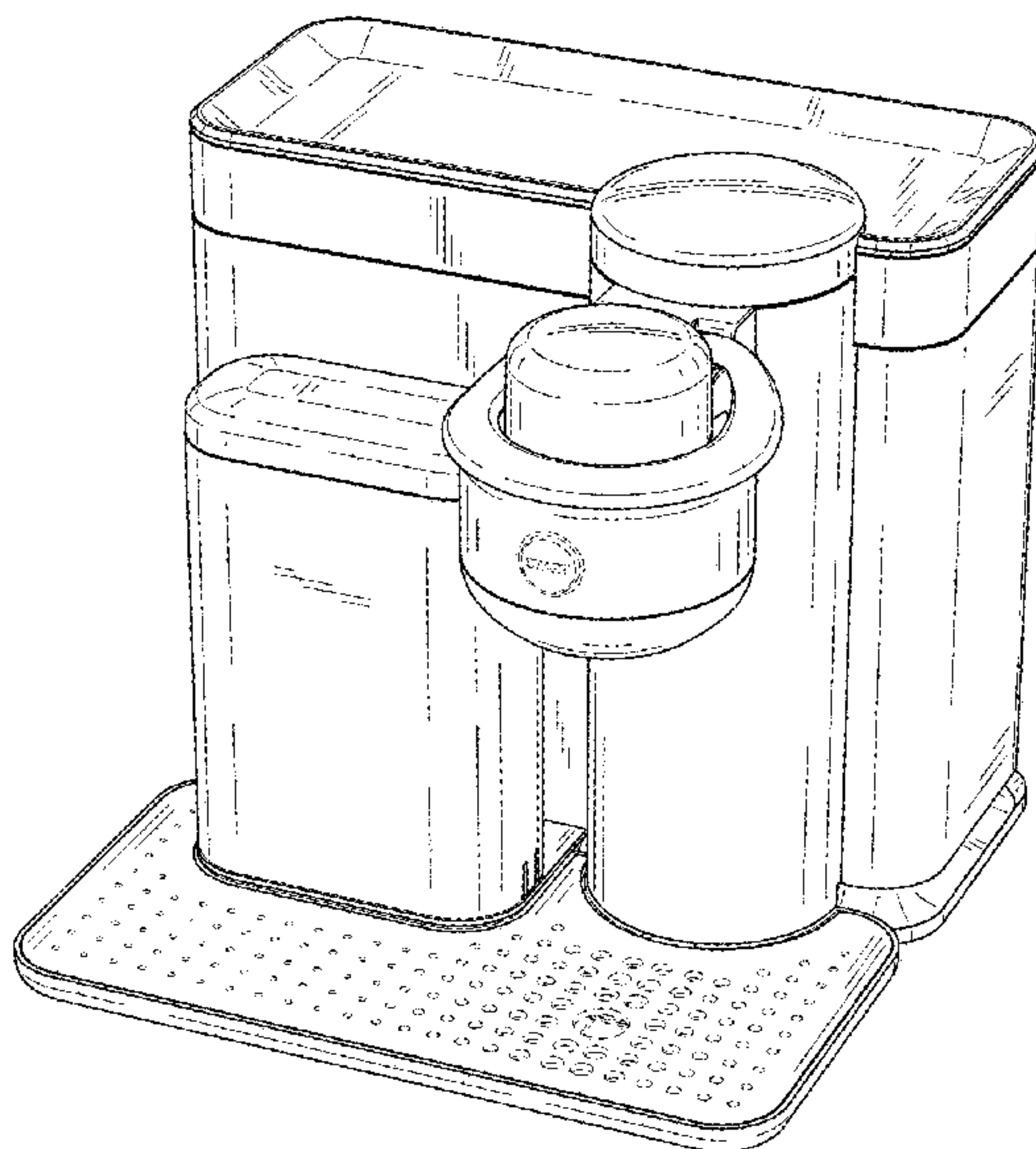
FIG. 1 is an isometric view of a beverage dispenser.
FIG. 2 is a front elevation view of the beverage dispenser of FIG. 1.
FIG. 3 is a rear elevation view of the beverage dispenser of FIG. 1.
FIG. 4 is a right side elevation view of the beverage dispenser of FIG. 1.
FIG. 5 is a left side elevation view of the beverage dispenser of FIG. 1.
FIG. 6 is a top plan view of the beverage dispenser of FIG. 1; and,
FIG. 7 is a bottom plan view of the beverage dispenser of FIG. 1.
The broken lines indicate the bounds of the claimed design and form no part of the claimed design.

(56) **References Cited**

U.S. PATENT DOCUMENTS

8,371,211 B2 * 2/2013 Nosler A47J 31/007
99/279
D742,159 S * 11/2015 Doria D7/309

1 Claim, 7 Drawing Sheets



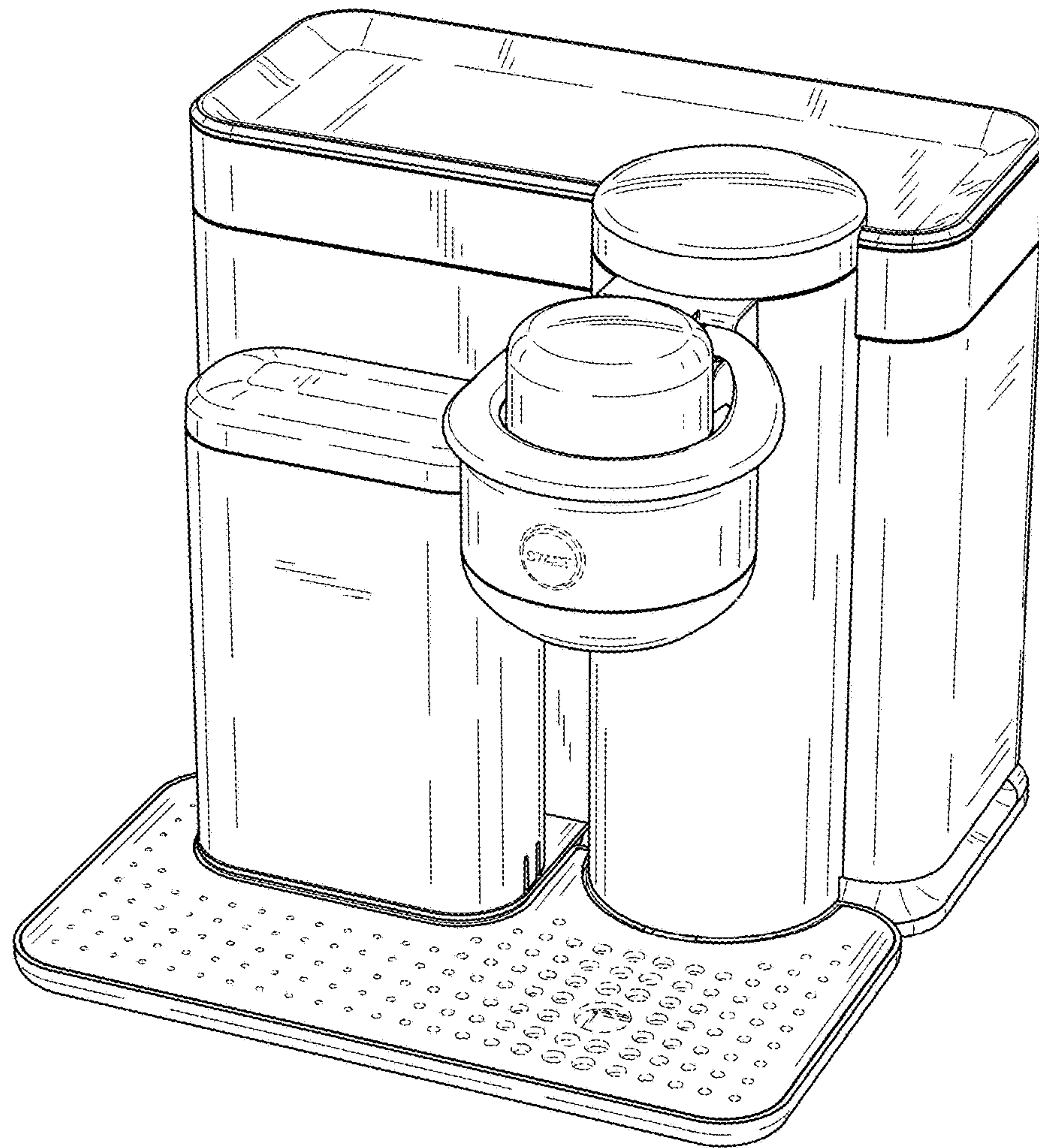


FIG. 1

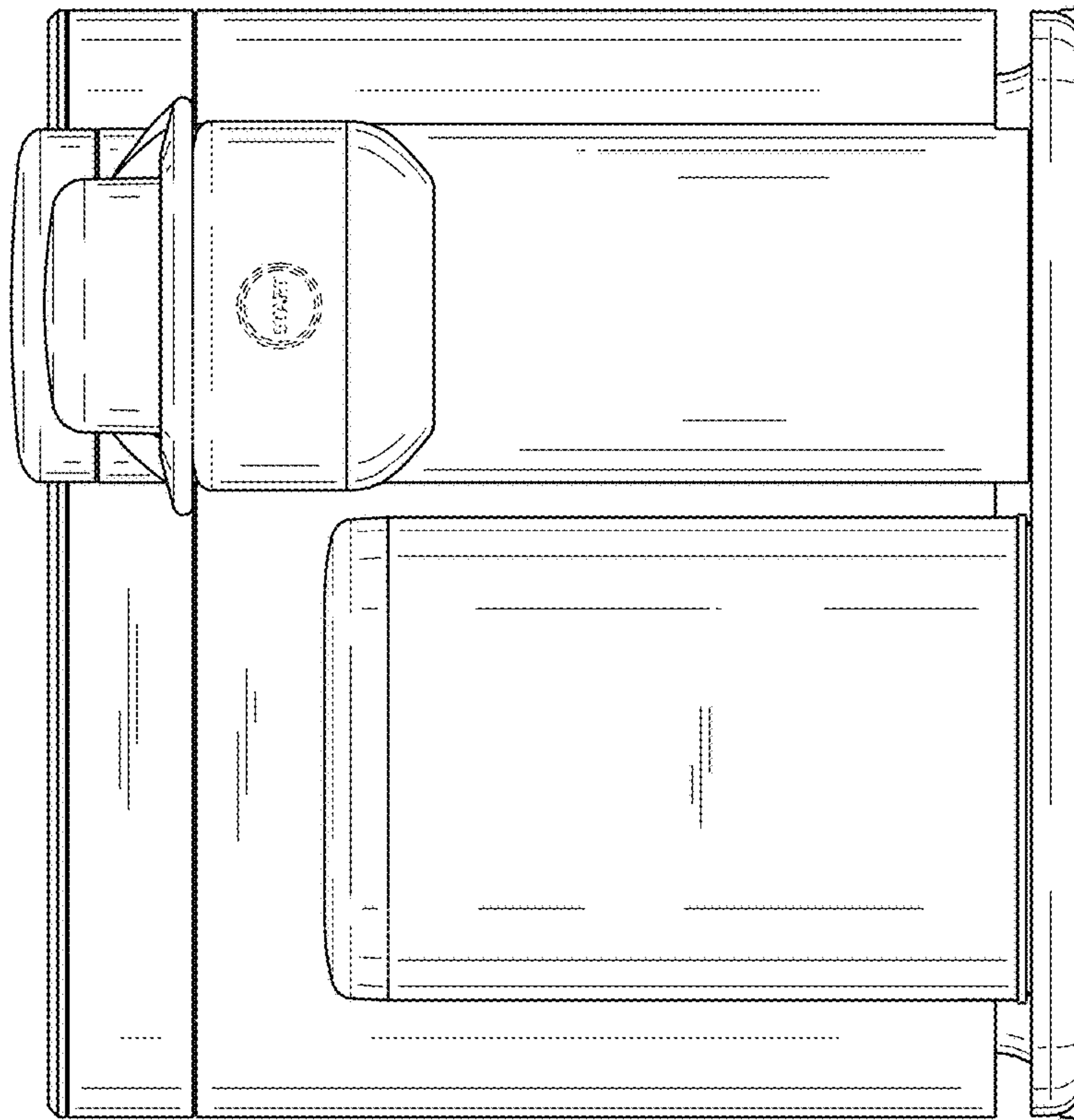


FIG. 2

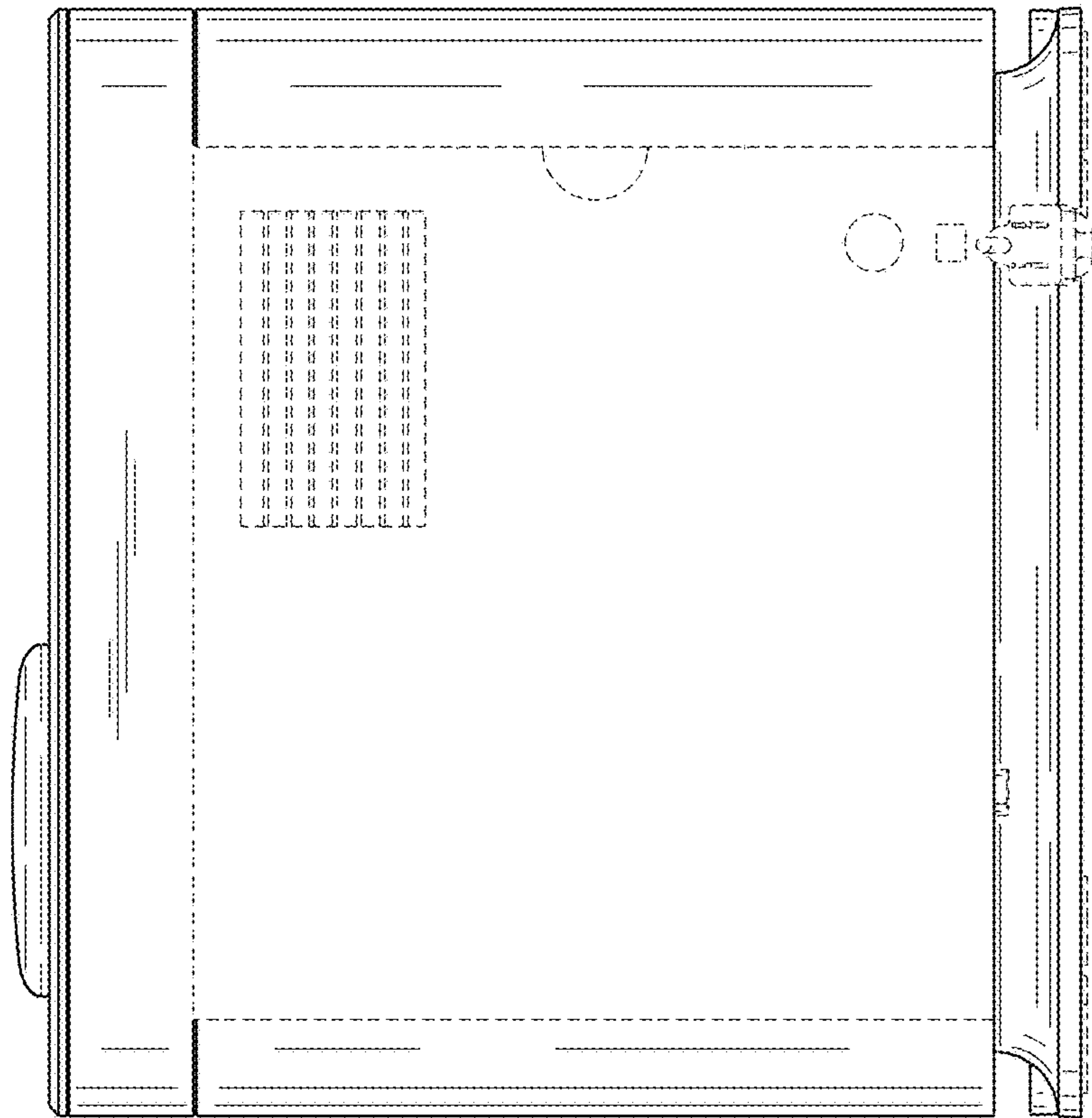


FIG. 3

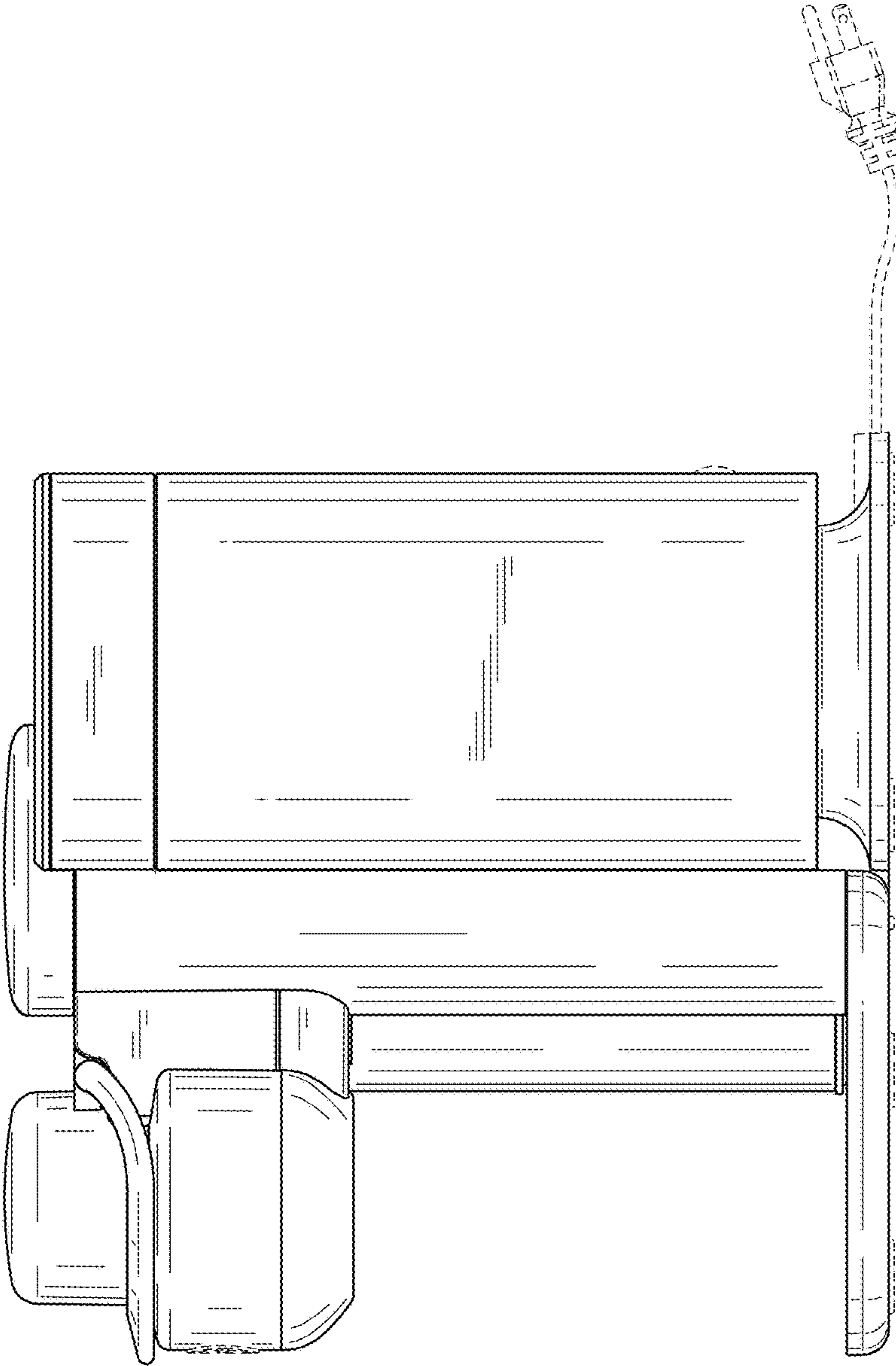


FIG. 4

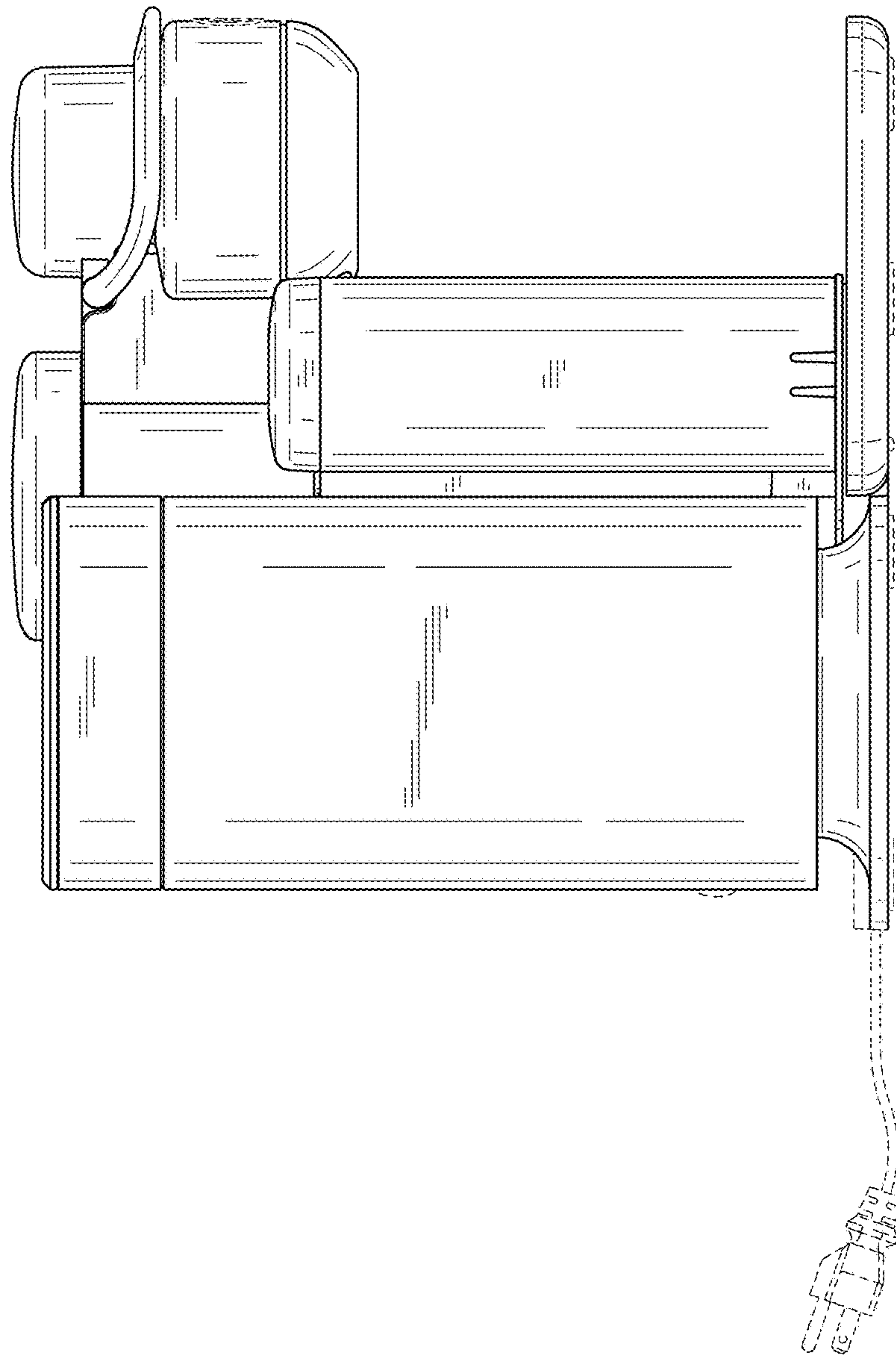


FIG. 5

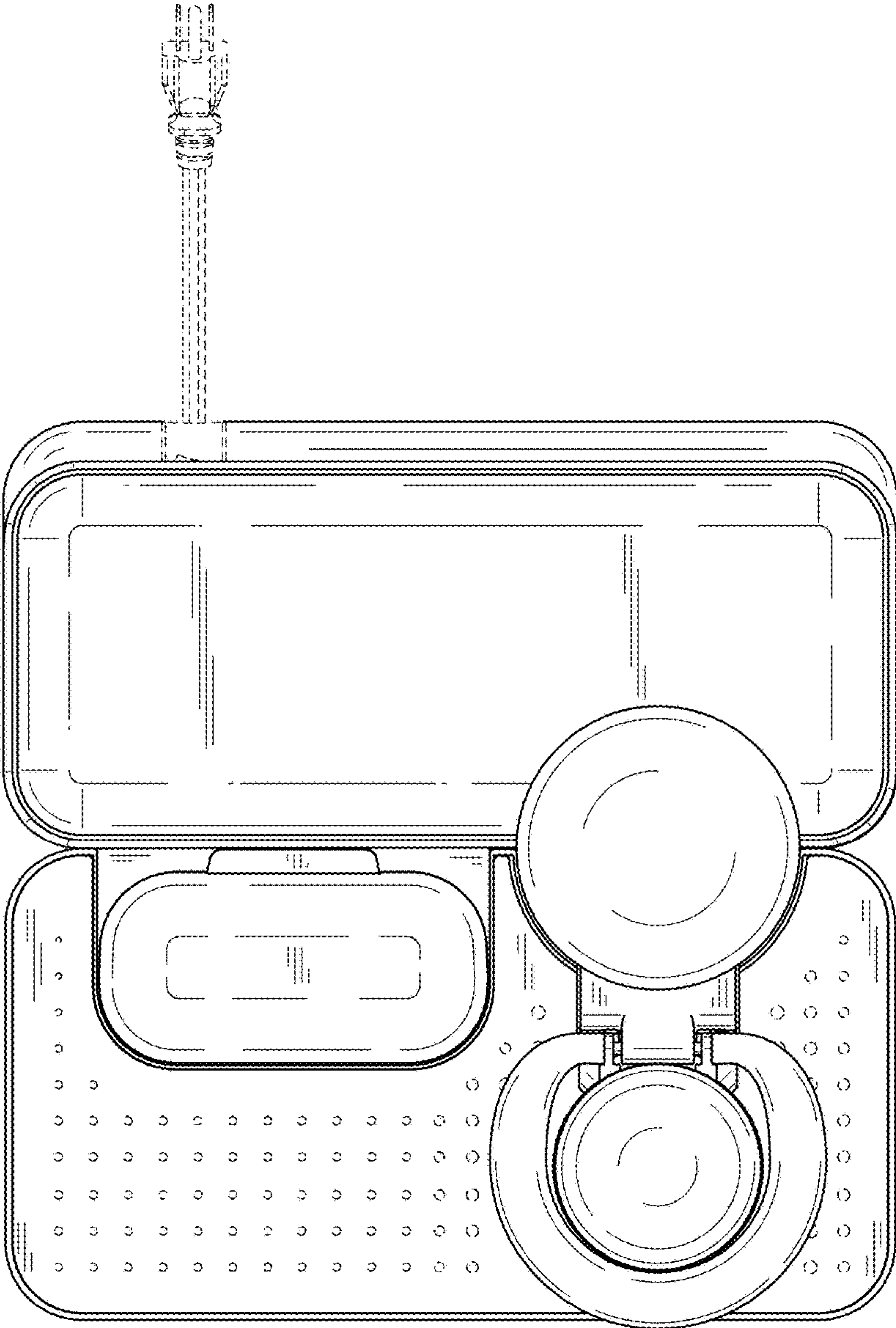


FIG. 6

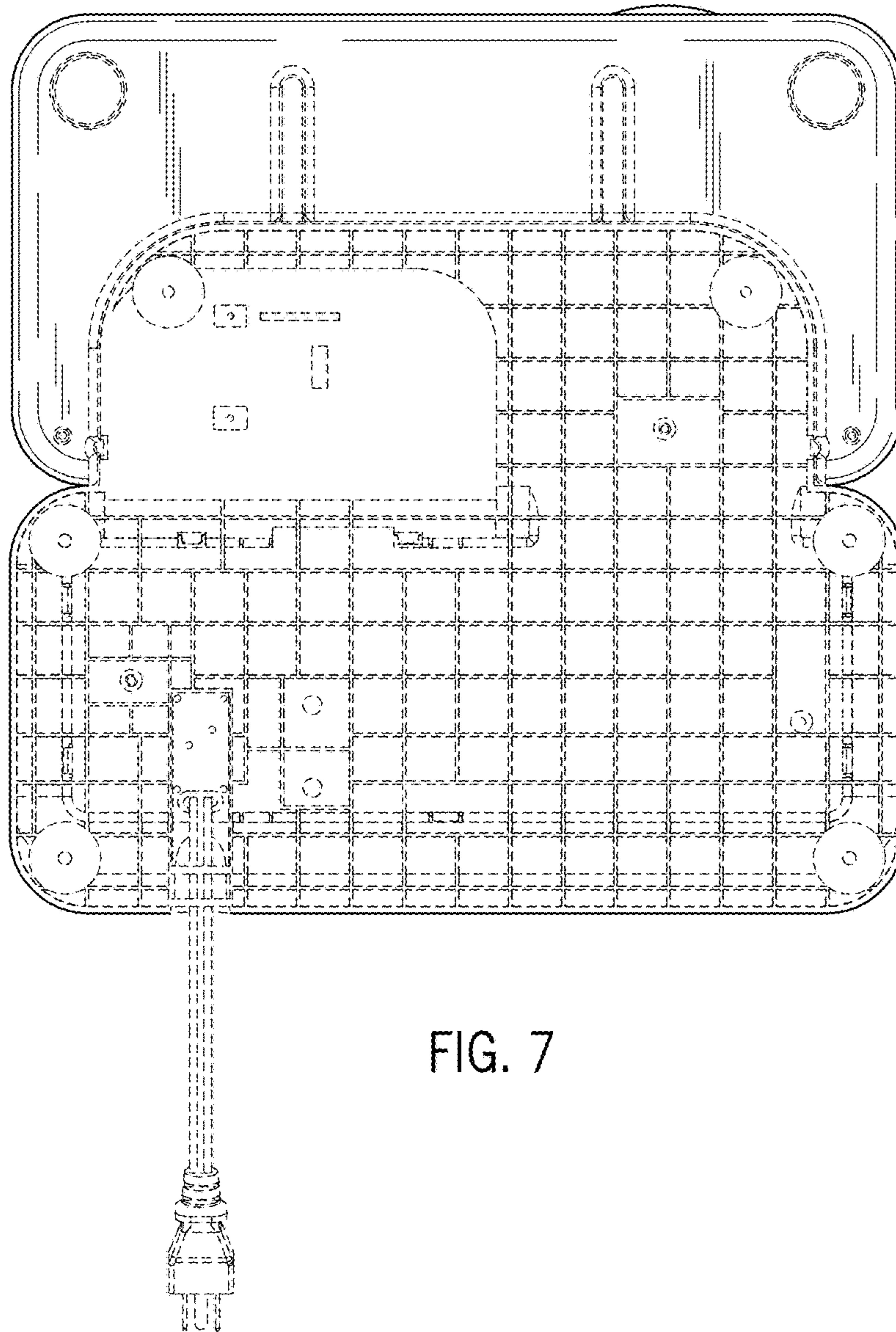


FIG. 7