



US00D853768S

(12) **United States Design Patent**
Brueske et al.

(10) **Patent No.:** **US D853,768 S**
(45) **Date of Patent:** **** Jul. 16, 2019**

(54) **CHAIR**

(71) Applicant: **INTERSTUHL BUEROMOEBEL
GMBH & CO. KG**, Messstetten (DE)

(72) Inventors: **Joachim Rainer Brueske**, Berlin (DE);
Andreas Krob, Wolfhalden (CH)

(73) Assignee: **INTERSTUHL BUEROMOEBEL
GMBH & CO. KG**, Messstetten (DE)

(**) Term: **15 Years**

(21) Appl. No.: **29/680,250**

(22) Filed: **Feb. 14, 2019**

Related U.S. Application Data

(62) Division of application No. 29/570,647, filed on Jul. 11, 2016.

(30) **Foreign Application Priority Data**

Jan. 12, 2016 (EM) 002941476

(51) **LOC (11) Cl.** **06-01**

(52) **U.S. Cl.**
USPC **D6/716; D6/366**

(58) **Field of Classification Search**
USPC D6/334-336, 364, 365, 366, 374, 375,
D6/379, 380, 716, 716.1, 716.2, 716.4
CPC A47C 3/18; A47C 3/20; A47C 7/16; A47C
7/18; A47C 7/24; A47C 7/40; A47C 7/46;
A47C 7/54
See application file for complete search history.

(56) **References Cited**

U.S. PATENT DOCUMENTS

D597,771 S 8/2009 Weber et al.
D643,641 S 8/2011 Figueroa

D643,642 S 8/2011 Figueroa
D661,117 S * 6/2012 Tanaka D6/366
D662,330 S * 6/2012 Tanaka D6/366
D667,232 S * 9/2012 Yang D6/366
D680,345 S * 4/2013 Xingchang D6/366
D707,976 S 7/2014 Smith et al.
D715,068 S * 10/2014 Chan D6/366
D731,833 S * 6/2015 Fifield D6/716.4
D735,483 S 8/2015 Wu
D735,512 S * 8/2015 Chan D6/716.1
D735,513 S * 8/2015 Chan D6/716.1
D741,100 S * 10/2015 Chan D6/716.4
9,332,851 B2 * 5/2016 Machael A47C 7/46
D779,250 S * 2/2017 Welsh D6/716.4
D779,252 S 2/2017 Welsh et al.
D779,253 S 2/2017 Welsh et al.
D782,241 S 3/2017 Welsh et al.
D799,843 S 10/2017 Chen
D803,608 S 11/2017 Nakamura et al.
D803,609 S 11/2017 Guelfo
D807,673 S * 1/2018 Nakamura D6/716.4
9,913,539 B2 * 3/2018 Potrykus A47C 7/40
D815,868 S 4/2018 Romero et al.

(Continued)

Primary Examiner — Mimosa De

(74) *Attorney, Agent, or Firm* — Collard & Roe, P.C.

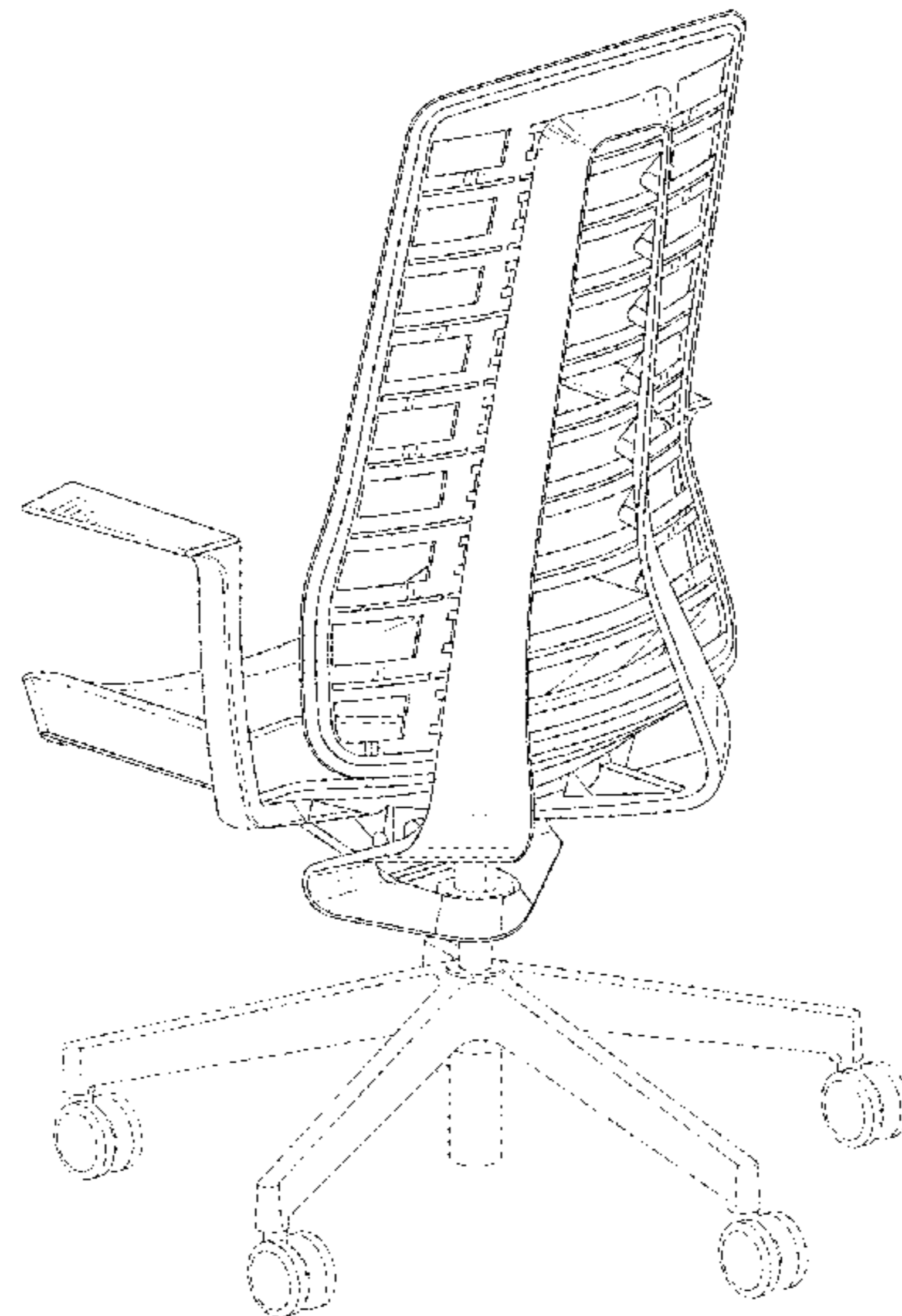
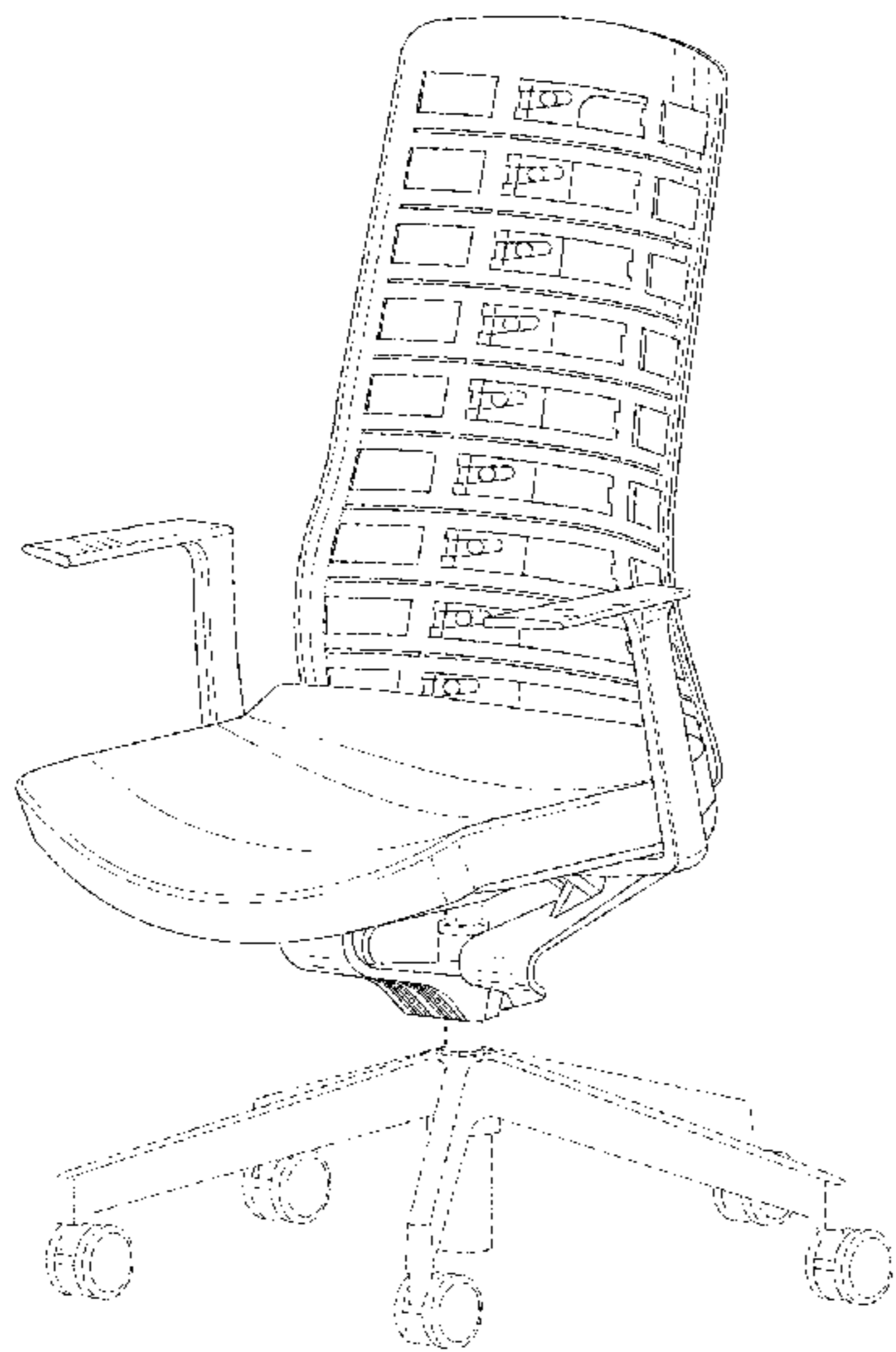
(57) **CLAIM**

The ornamental design for a chair, as shown and described.

DESCRIPTION

FIG. 1 is a front and right side perspective view of a chair showing our new design;
FIG. 2 is a rear and right side perspective view thereof;
FIG. 3 is a front elevation view thereof;
FIG. 4 is a rear elevation view thereof;
FIG. 5 is a left side elevation view thereof; and,
FIG. 6 is a right side elevation view thereof.
The features shown in broken lines show portions of the chair that form no part of the claimed design.

1 Claim, 6 Drawing Sheets



(56)

References Cited

U.S. PATENT DOCUMENTS

D817,679 S * 5/2018 Nakamura D6/716
10,064,493 B2 * 9/2018 Machael A47C 7/46

* cited by examiner

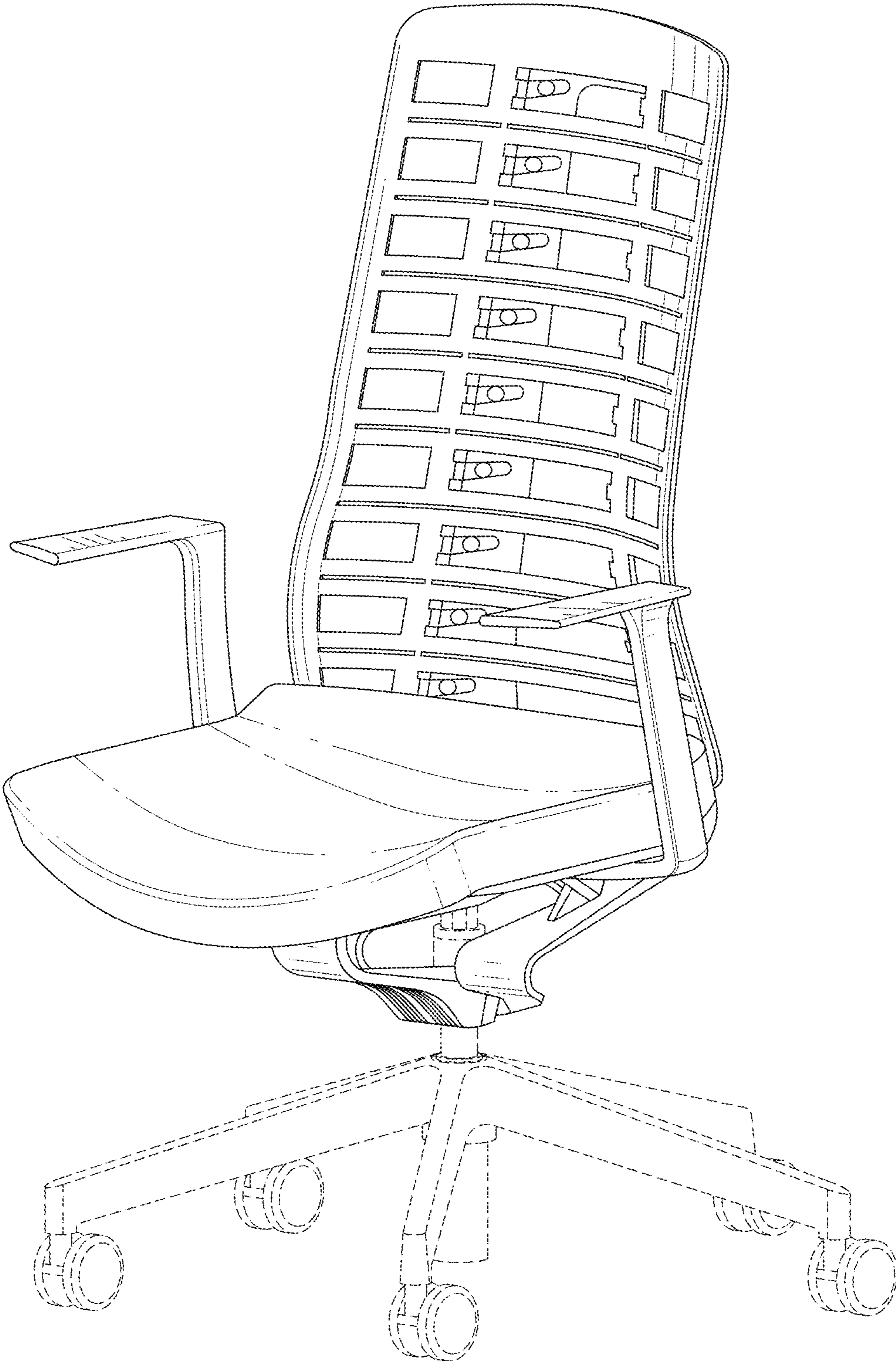


FIG. 1

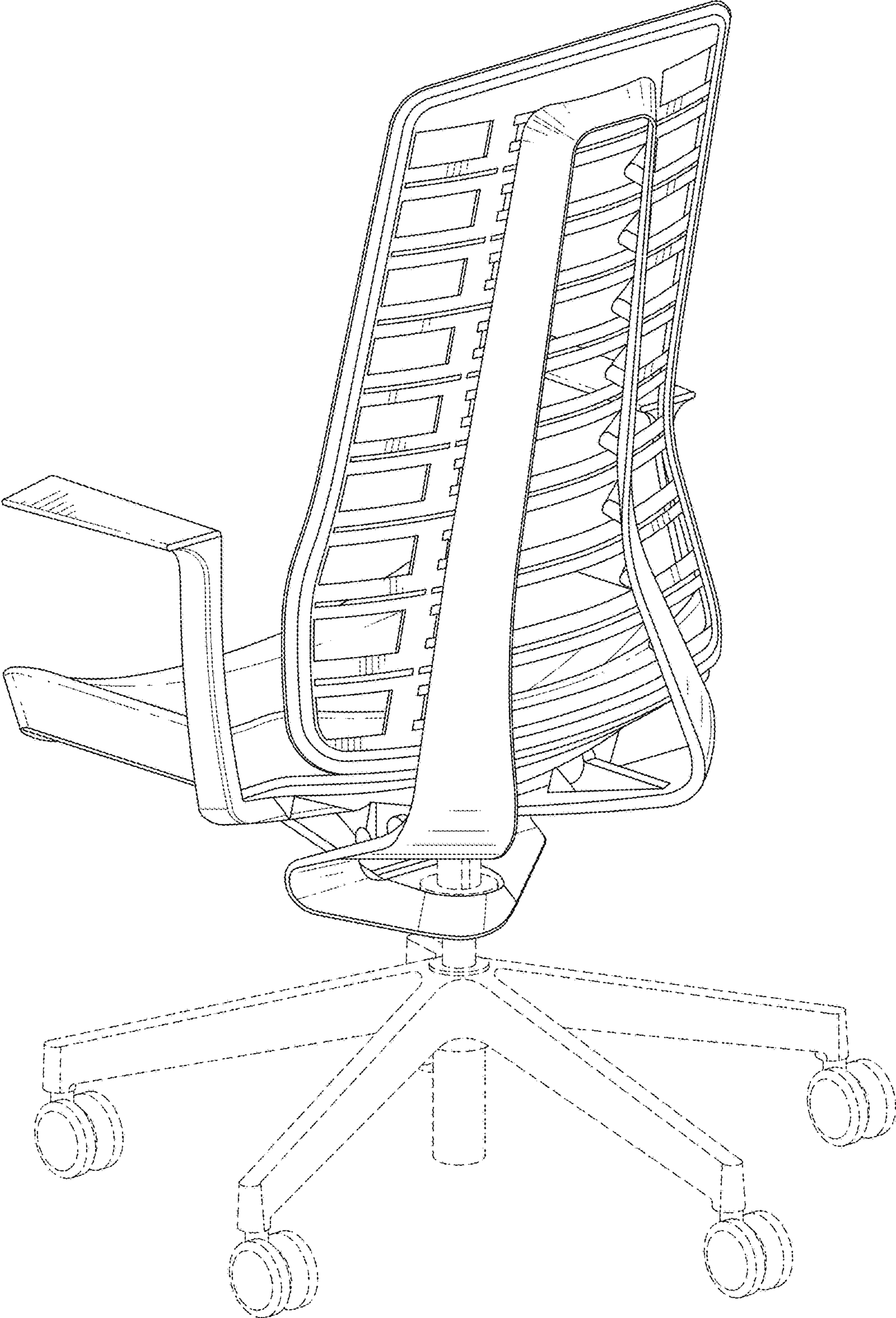


FIG. 2

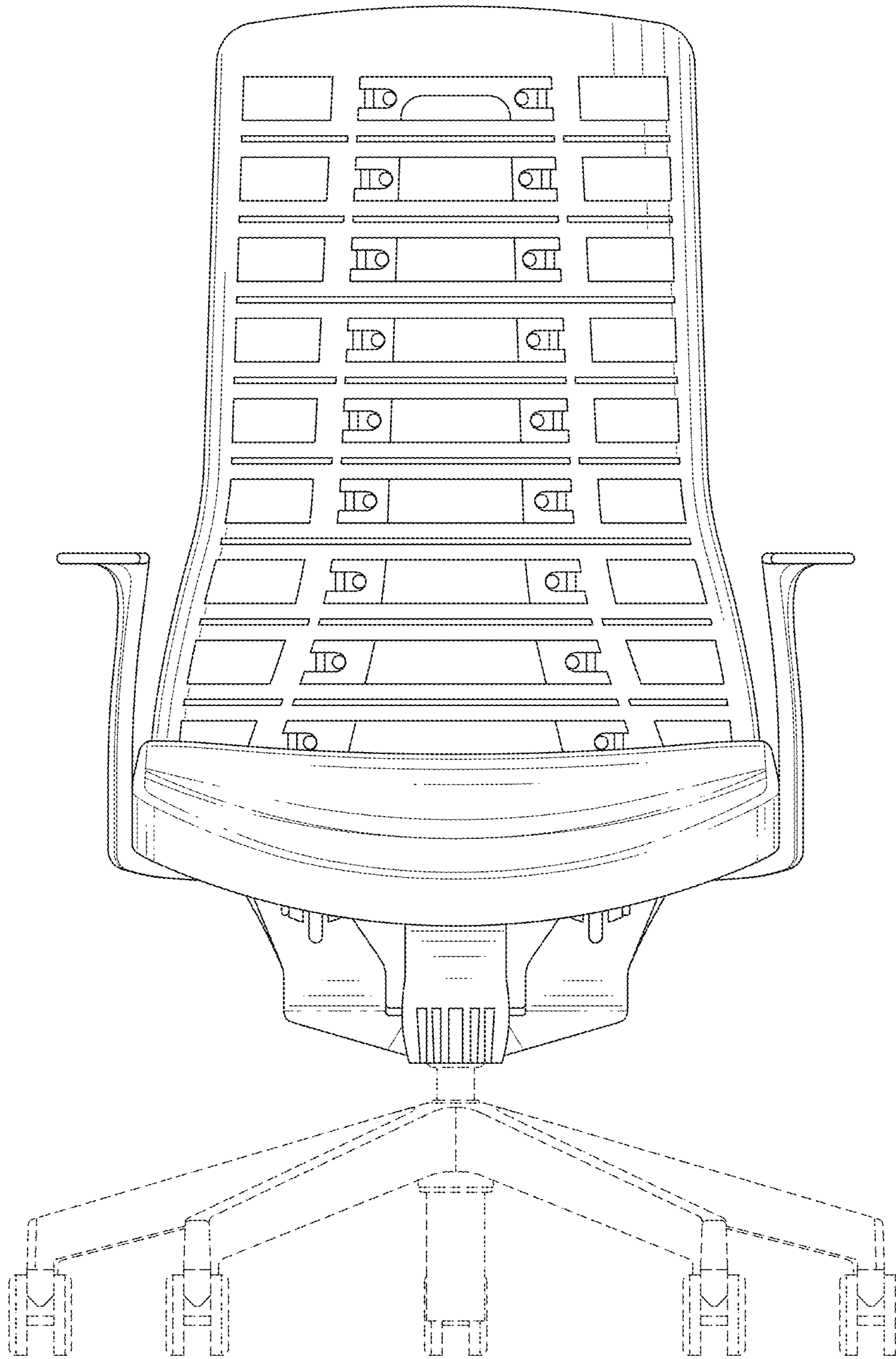


FIG. 3

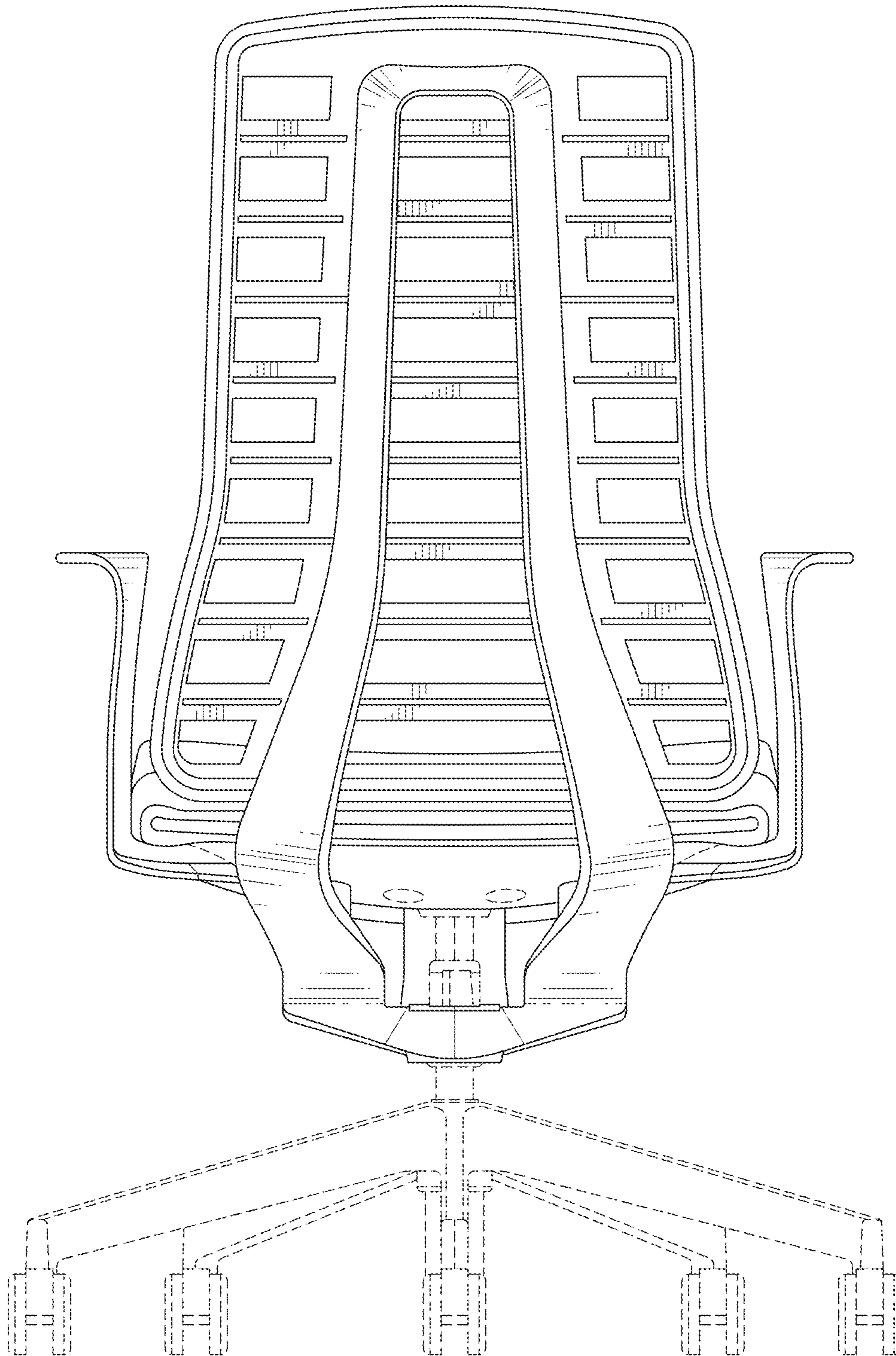


FIG. 4

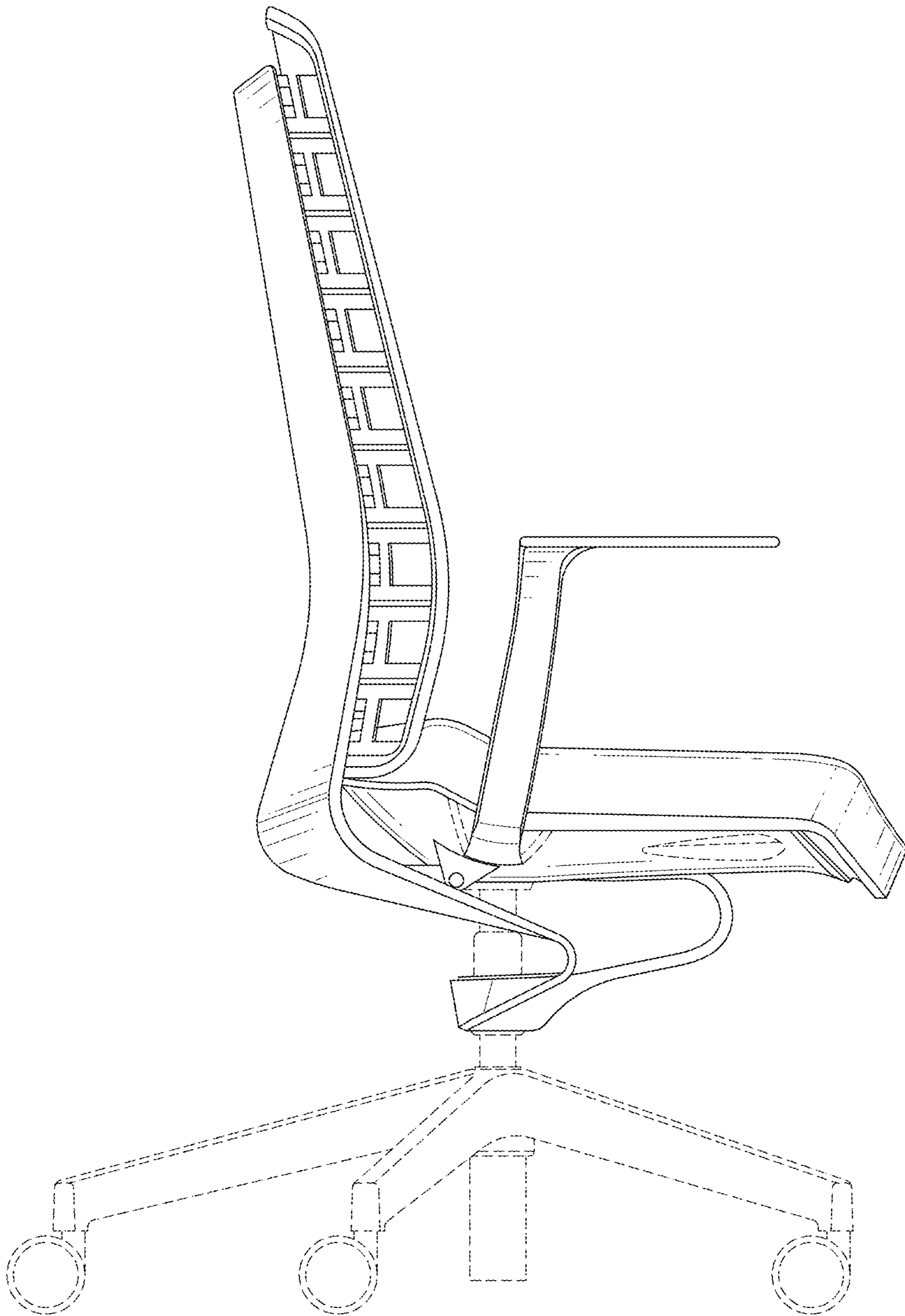


FIG. 5

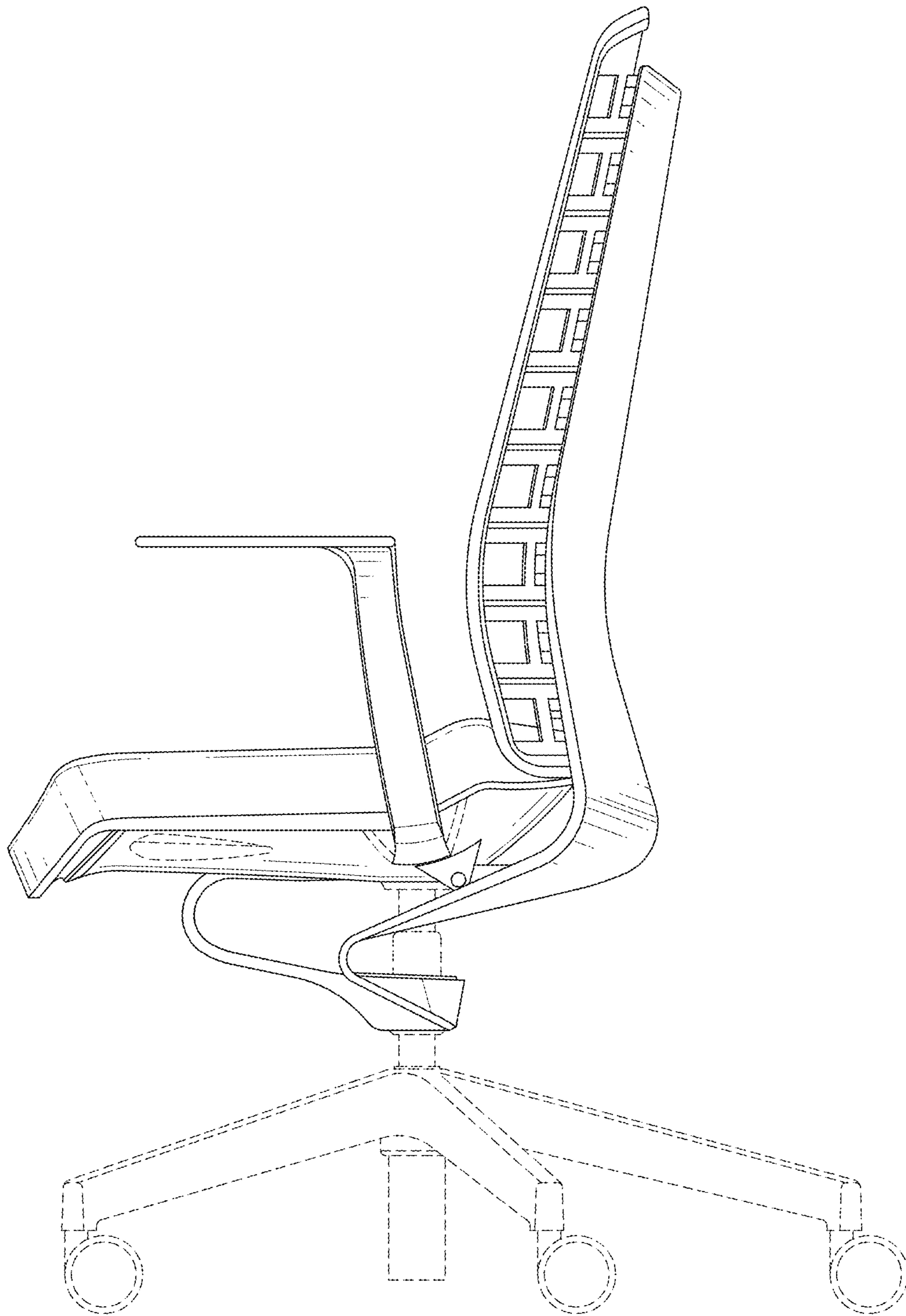


FIG. 6