



US00D853766S

(12) **United States Design Patent**
Eppich

(10) **Patent No.:** **US D853,766 S**

(45) **Date of Patent:** **** Jul. 16, 2019**

(54) **COUNTERTOP EXTENSION DEVICE**

(71) Applicant: **Walter Eppich**, Greenlawn, NY (US)

(72) Inventor: **Walter Eppich**, Greenlawn, NY (US)

(**) Term: **15 Years**

(21) Appl. No.: **29/628,534**

(22) Filed: **Dec. 5, 2017**

(51) **LOC (11) Cl.** **06-03**

(52) **U.S. Cl.**
USPC **D6/699.4**

(58) **Field of Classification Search**
USPC D6/641, 644, 647, 649, 650, 651.1,
D6/651.2, 655, 656, 656.16, 658, 691,
D6/692, 692.1-692.6, 695, 695.4, 697.1,
D6/698, 699, 699.4, 702, 703, 705.1, 707,
D6/707.2, 707.22

CPC .. A47B 37/00; A47B 3/00; A47B 1/00; A47B
3/06; A47B 3/08; A47B 7/00; A47B
21/00; A47B 21/06; A47B 23/00; A47B
25/00; A47B 13/08; A47B 3/083; A47B
3/14; A47B 41/00; A47B 17/00; A47B
3/0809; A47B 3/0812; A47B 2013/026;
A47B 2200/03; A47B 2200/00; A47B
2200/0079; A47B 2003/0821; A47B
17/033; A47B 23/042; A47B 1/04; A47B
13/16; A47B 21/03; A47B 97/00; A47C
3/045; F16B 11/006

See application file for complete search history.

(56) **References Cited**

U.S. PATENT DOCUMENTS

5,979,858 A * 11/1999 Bronson A47B 23/042
248/452
6,629,504 B2 * 10/2003 Stem A47B 1/04
108/13
6,931,998 B1 * 8/2005 Leese A47B 5/02
108/152

D571,130 S * 6/2008 Clark D6/702
D572,055 S * 7/2008 Huang D6/703
D572,945 S * 7/2008 Valentine D6/691
D573,383 S * 7/2008 Huang D6/703
8,561,550 B2 * 10/2013 Raml A47B 5/00
108/152
8,899,704 B2 * 12/2014 Bienick A47B 96/028
211/90.02
9,420,887 B2 * 8/2016 Reviel F16M 13/022
9,504,324 B2 * 11/2016 McMillin A47B 96/027

(Continued)

OTHER PUBLICATIONS

Camco, posted at Youtube.com, posted on Aug. 3, 2012, site visited
Oct. 23, 2018. online, available from internet: <https://www.youtube.com/watch?v=GU8a56nsQjY>.*

Primary Examiner — Mary Ann Calabrese
Assistant Examiner — Catherine Ho

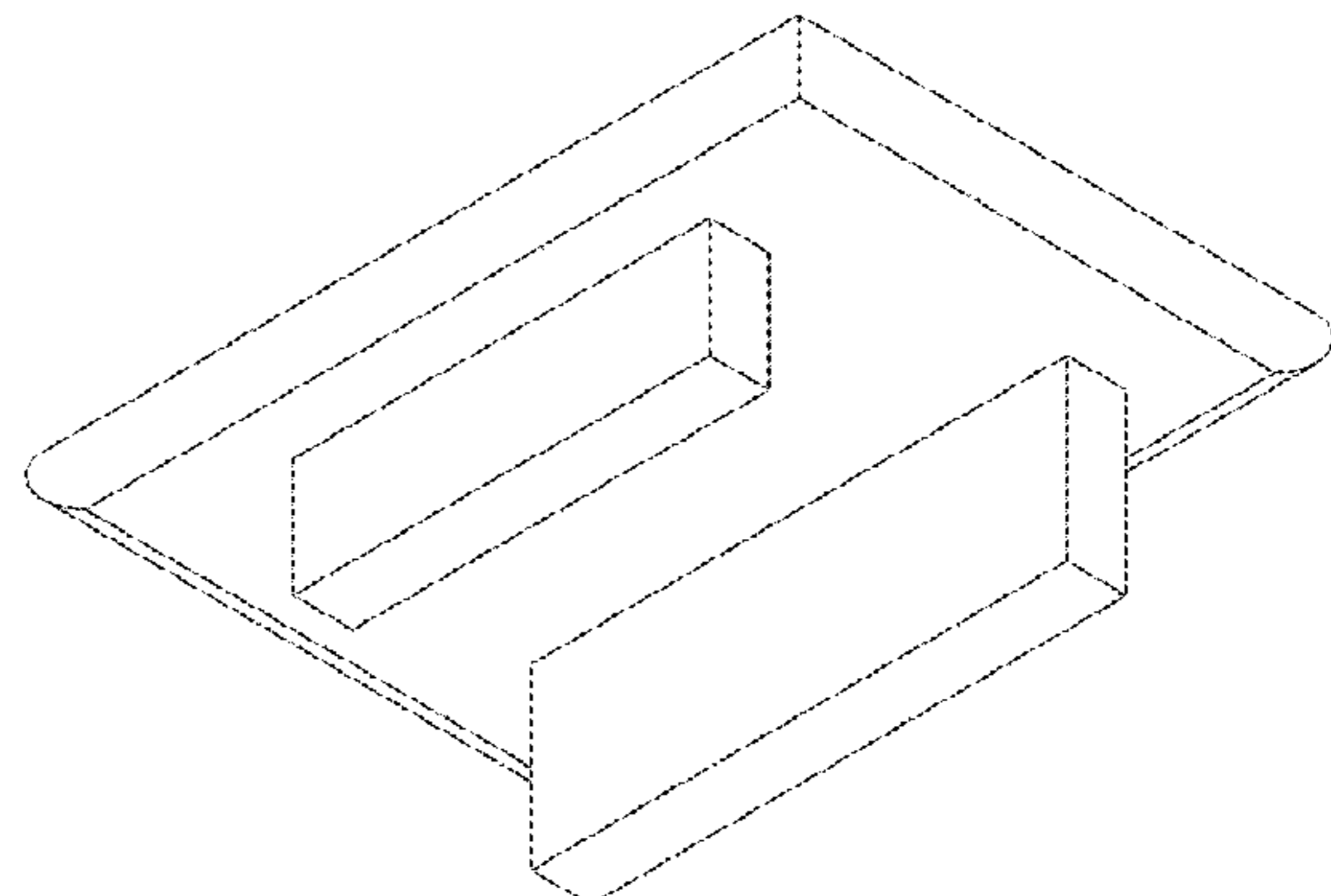
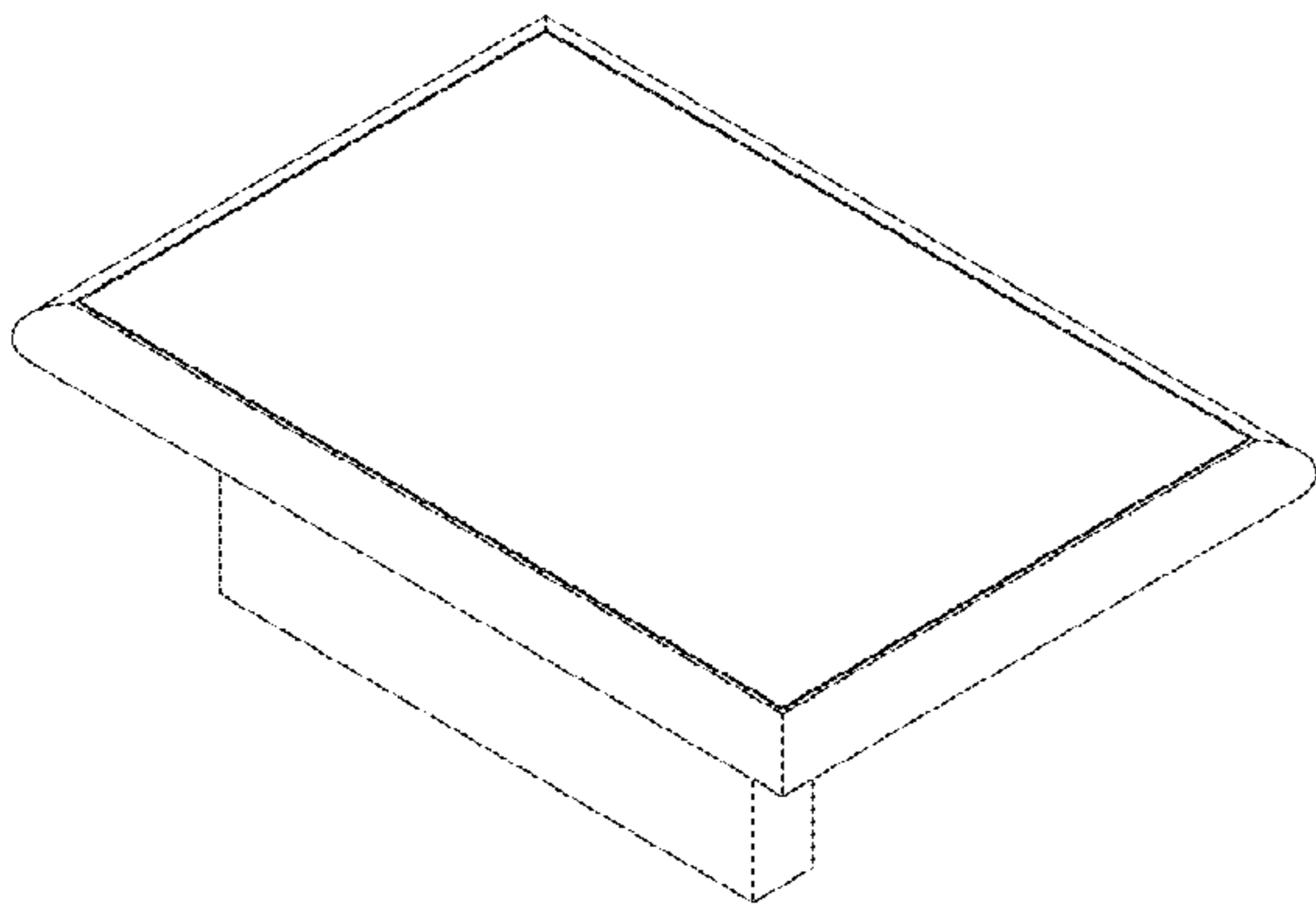
(57) **CLAIM**

I claim the ornamental design for a countertop extension
device, as shown and described.

DESCRIPTION

FIG. 1 is a front top right isometric view of a countertop
extension device showing my new design;
FIG. 2 is a front top left isometric view thereof;
FIG. 3 is a front bottom left isometric view thereof;
FIG. 4 is a front bottom right isometric view thereof;
FIG. 5 is a front view thereof;
FIG. 6 is a top view thereof;
FIG. 7 is a left view thereof;
FIG. 8 is a right view thereof;
FIG. 9 is a bottom view thereof;
FIG. 10 is a rear view thereof;
FIG. 11 is a rear top right isometric view thereof;
FIG. 12 is a rear top left isometric view thereof;
FIG. 13 is a rear bottom left isometric view thereof; and,
FIG. 14 is a rear bottom right isometric view thereof.

1 Claim, 14 Drawing Sheets



(56)

References Cited

U.S. PATENT DOCUMENTS

9,936,801 B1 * 4/2018 Allen A47B 5/02
2018/0249834 A1 * 9/2018 Marks A47B 88/956

* cited by examiner

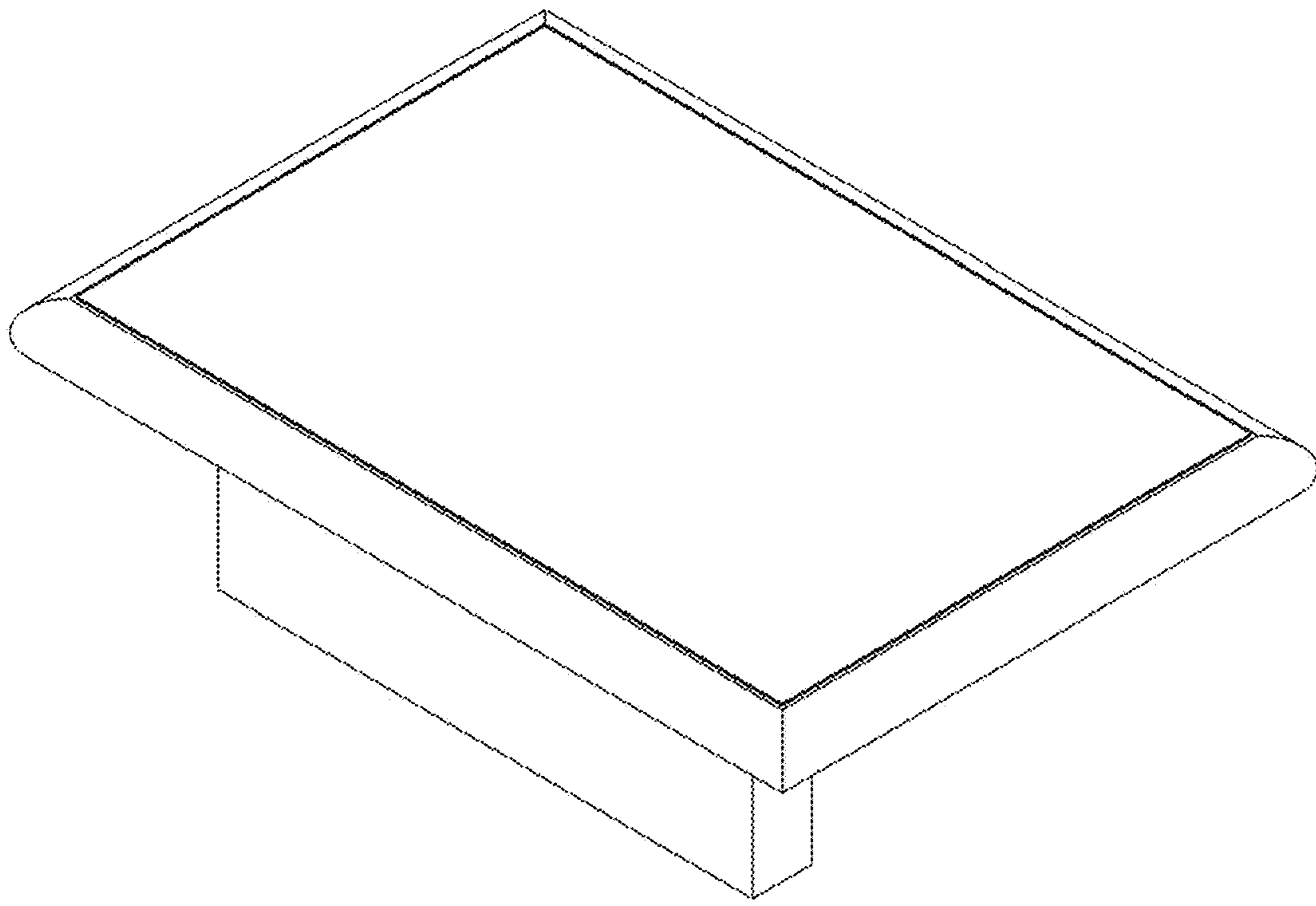


FIG. 1

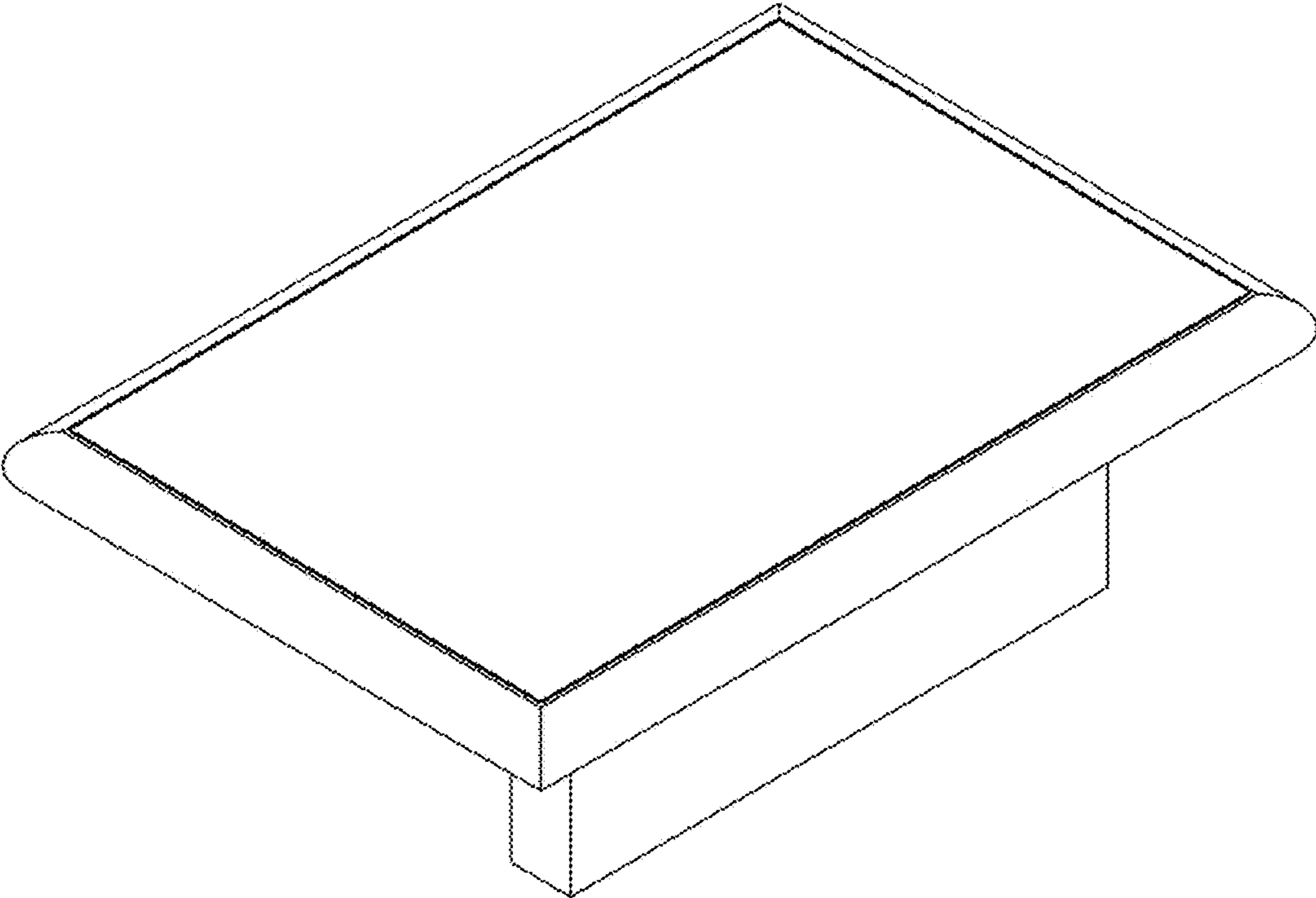


FIG. 2

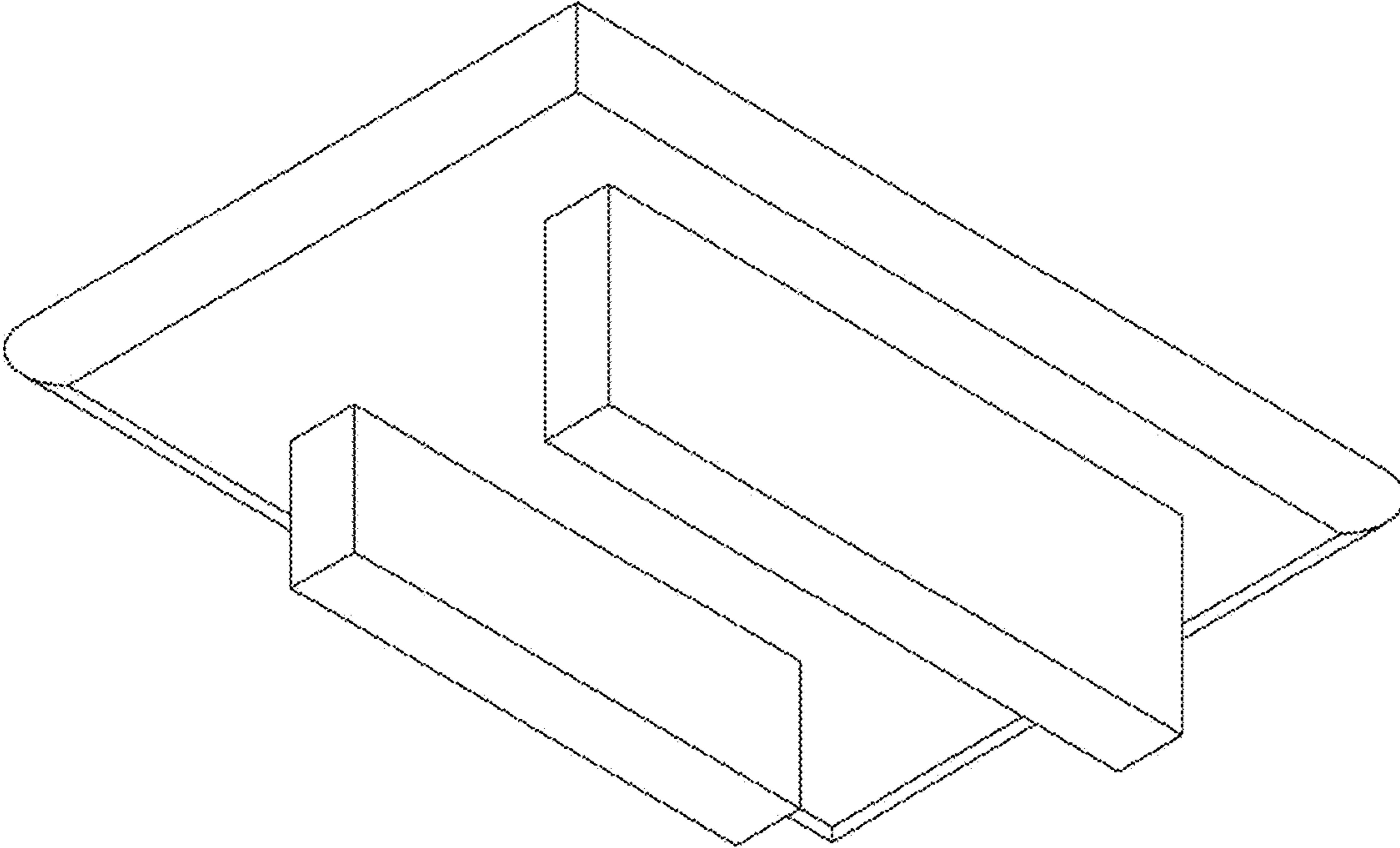


FIG. 3

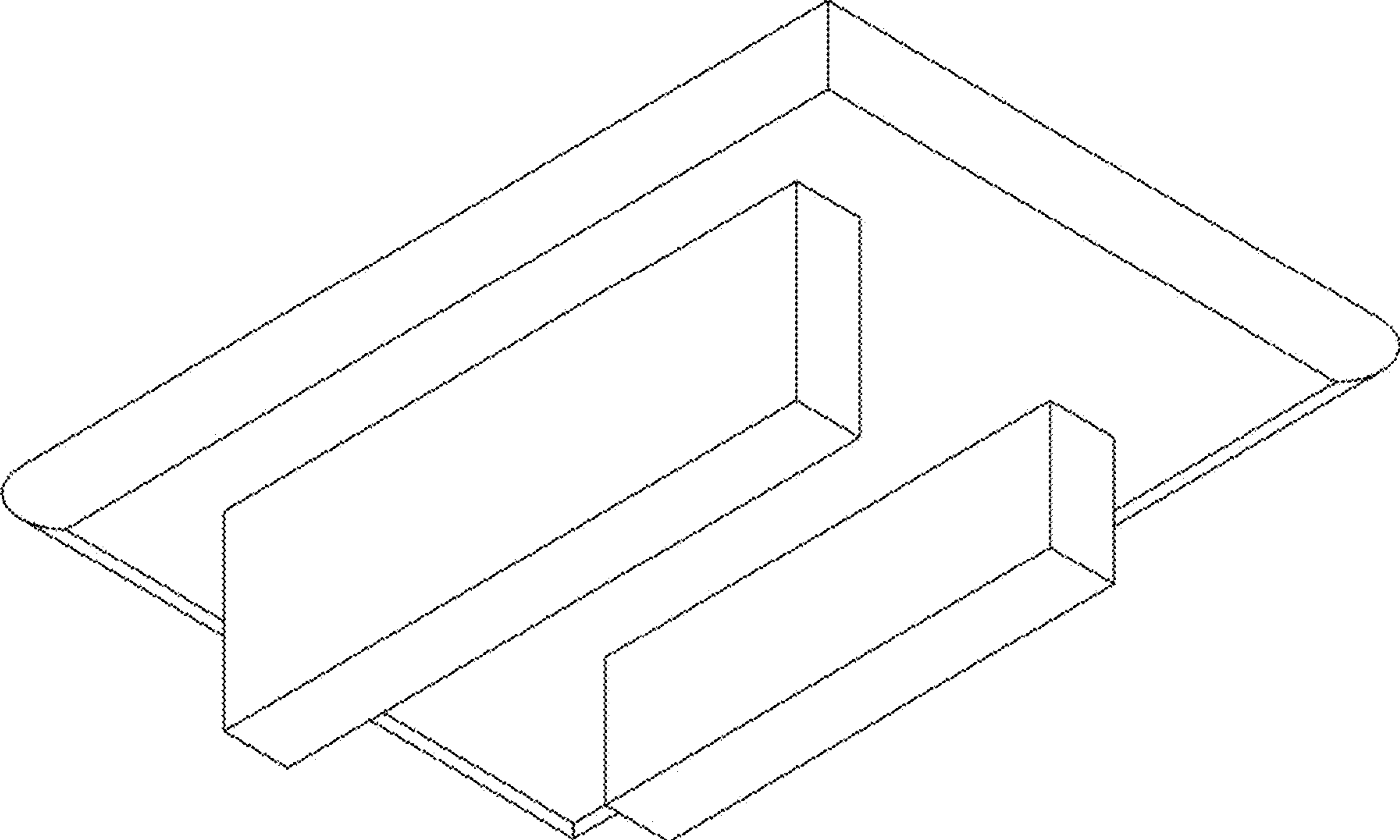


FIG. 4

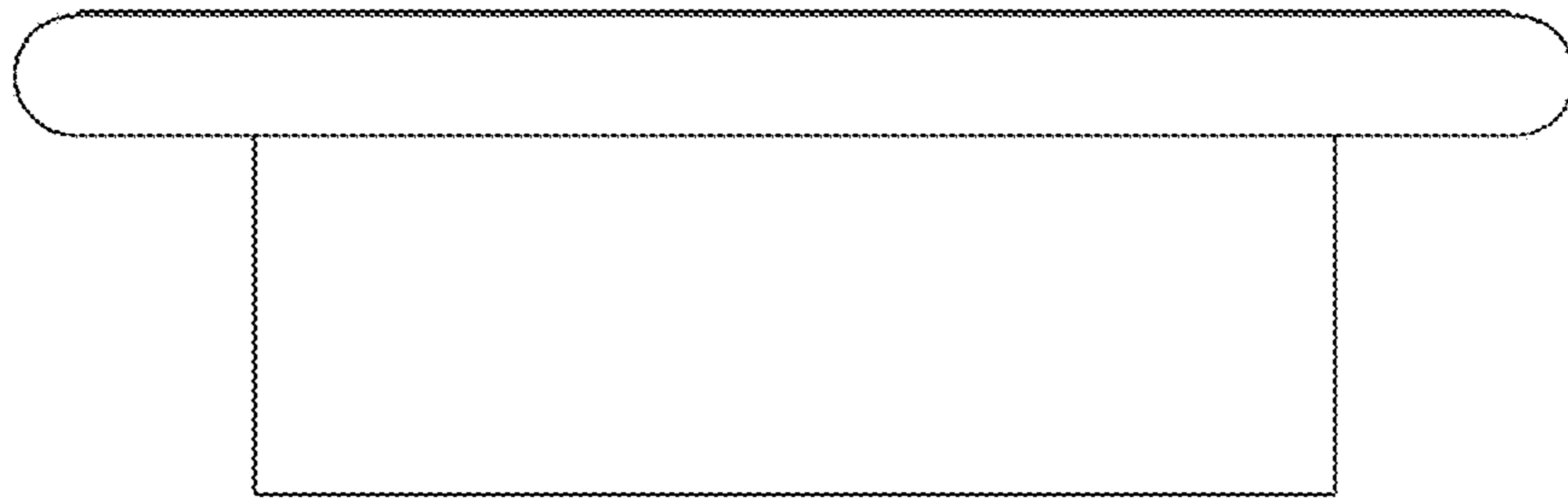


FIG. 5



FIG. 6

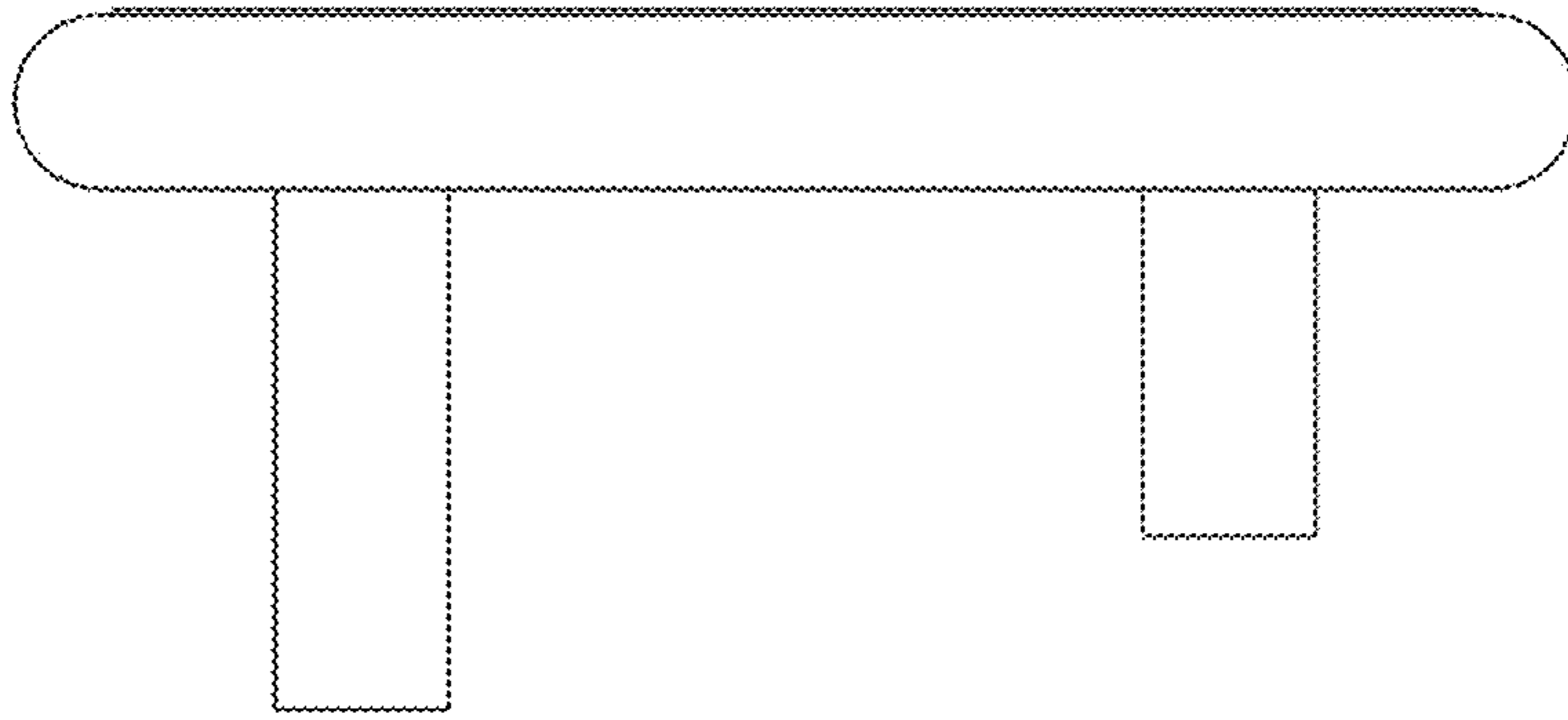


FIG. 7

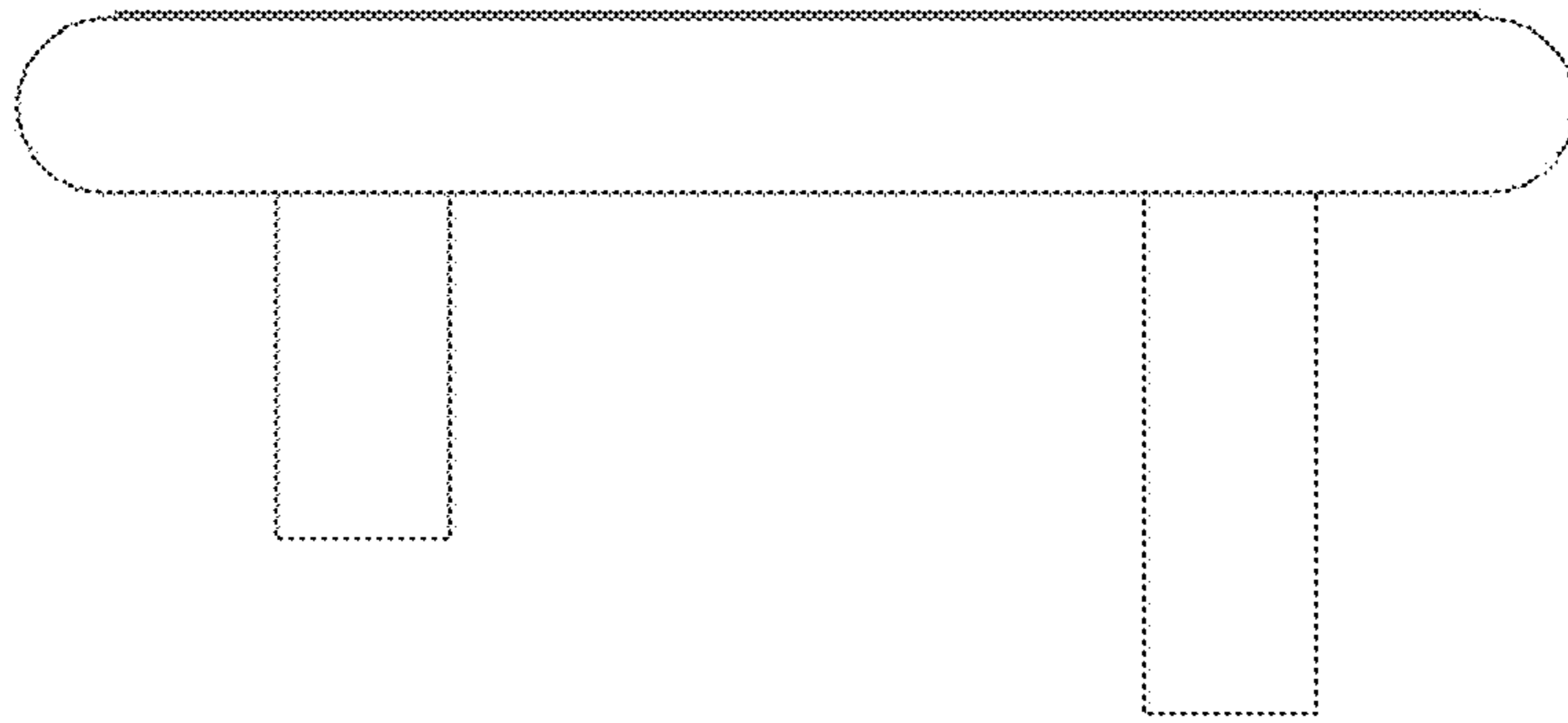


FIG.8

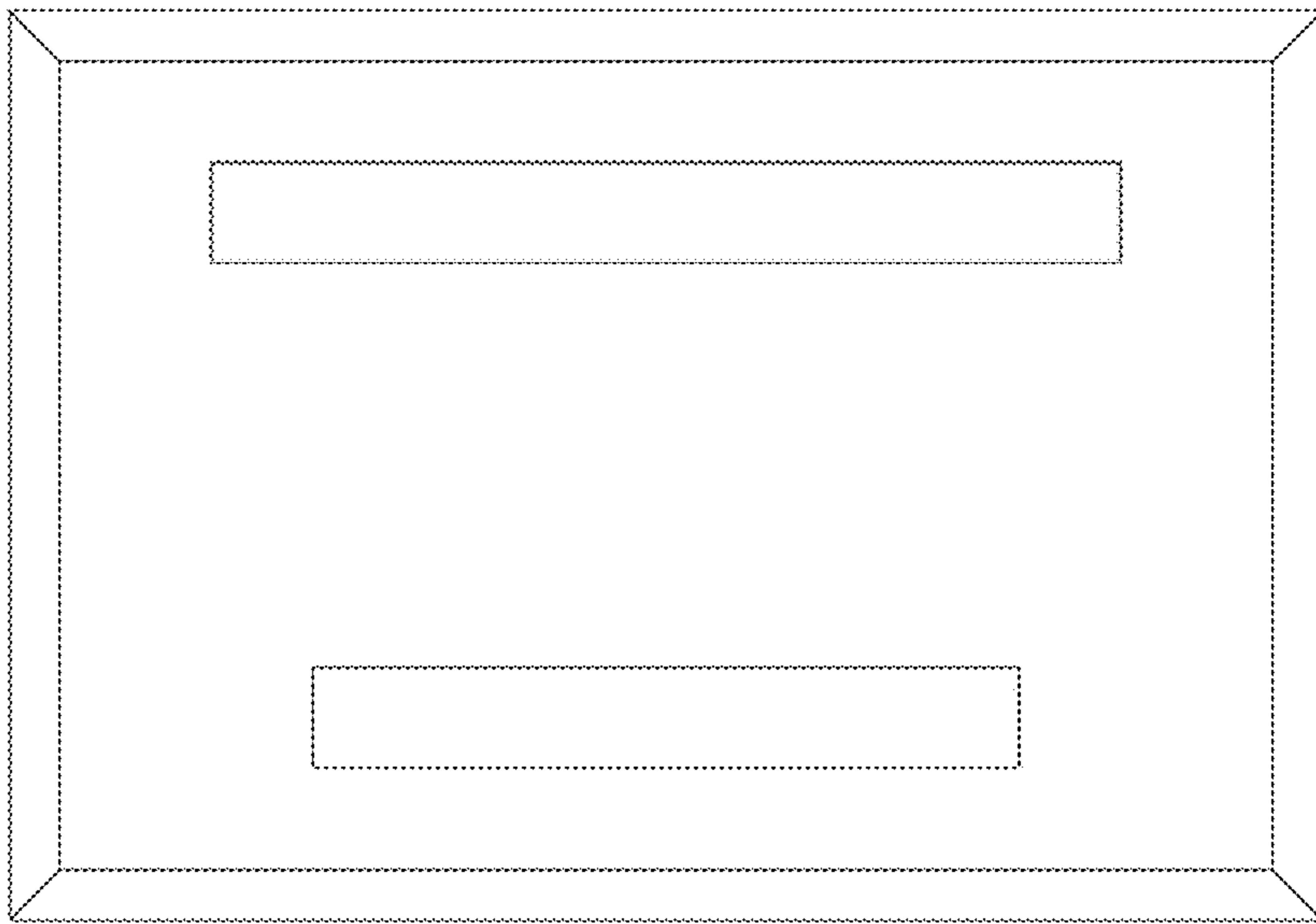


FIG. 9

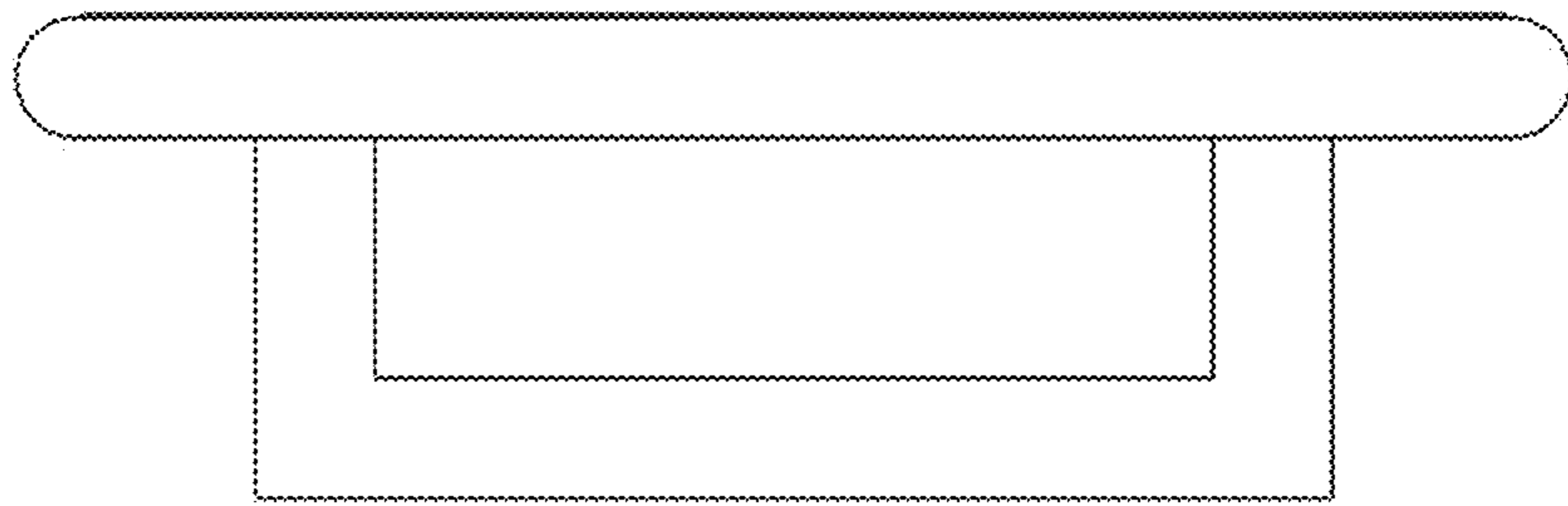


FIG. 10

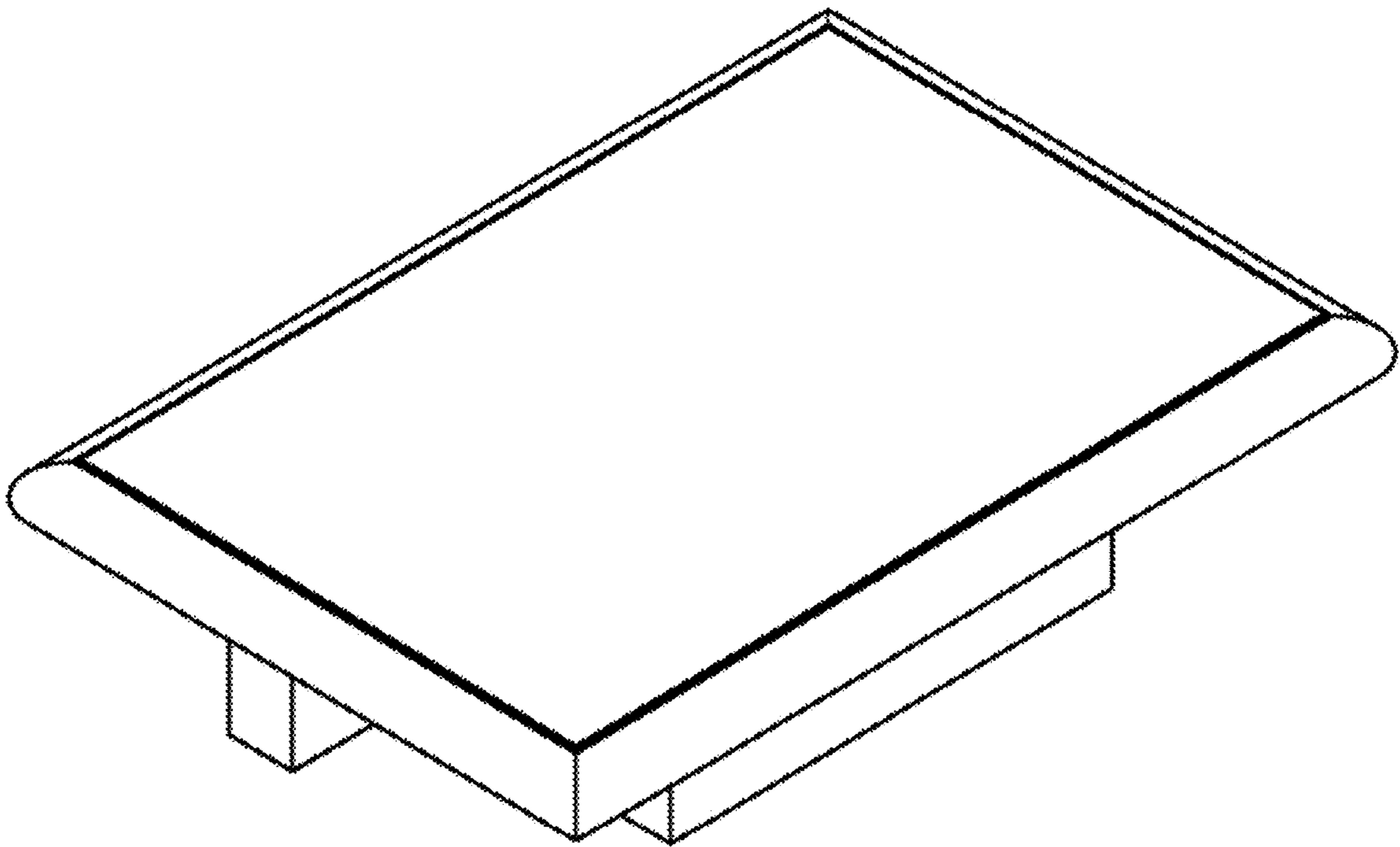


FIG. 11

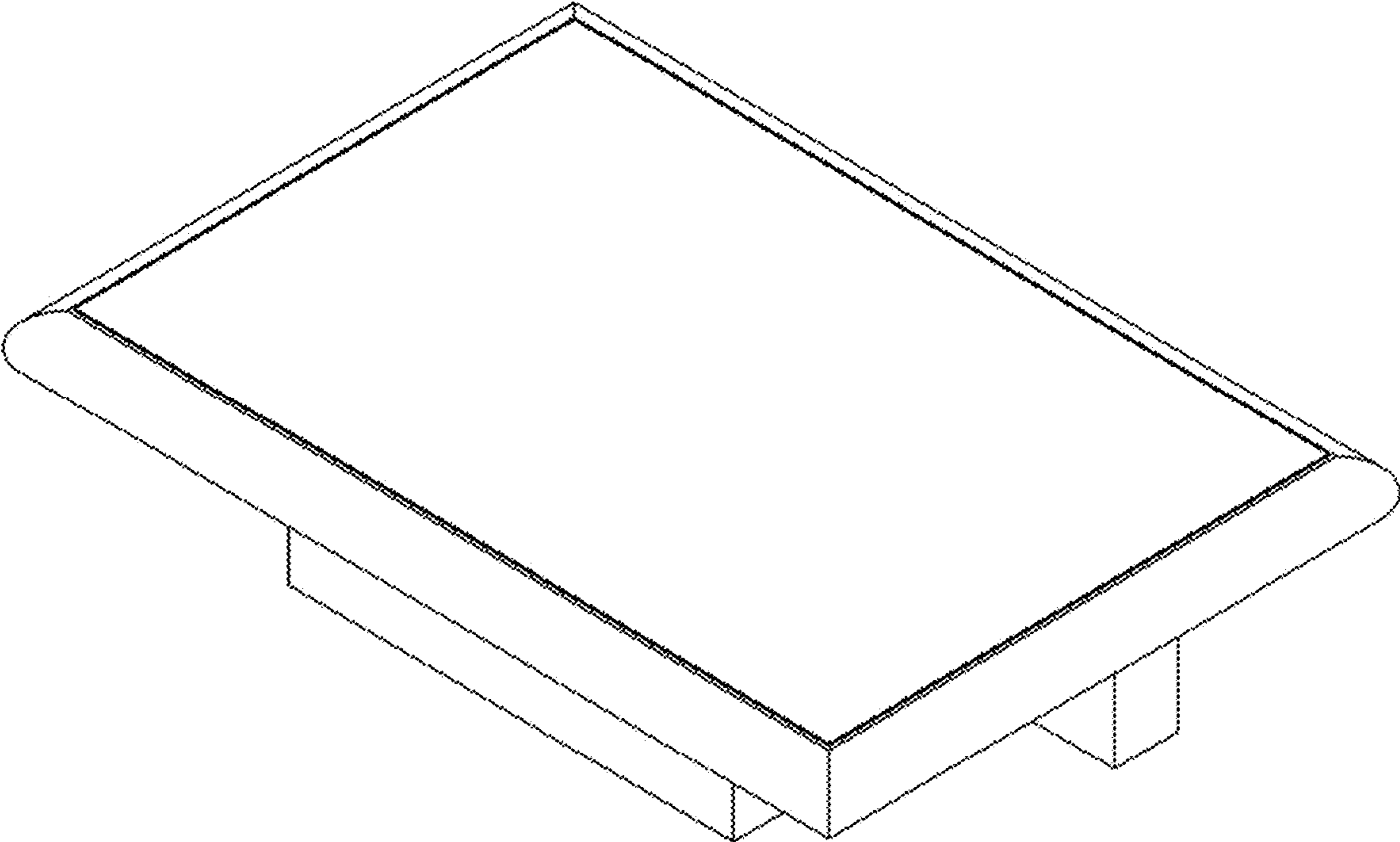


FIG. 12

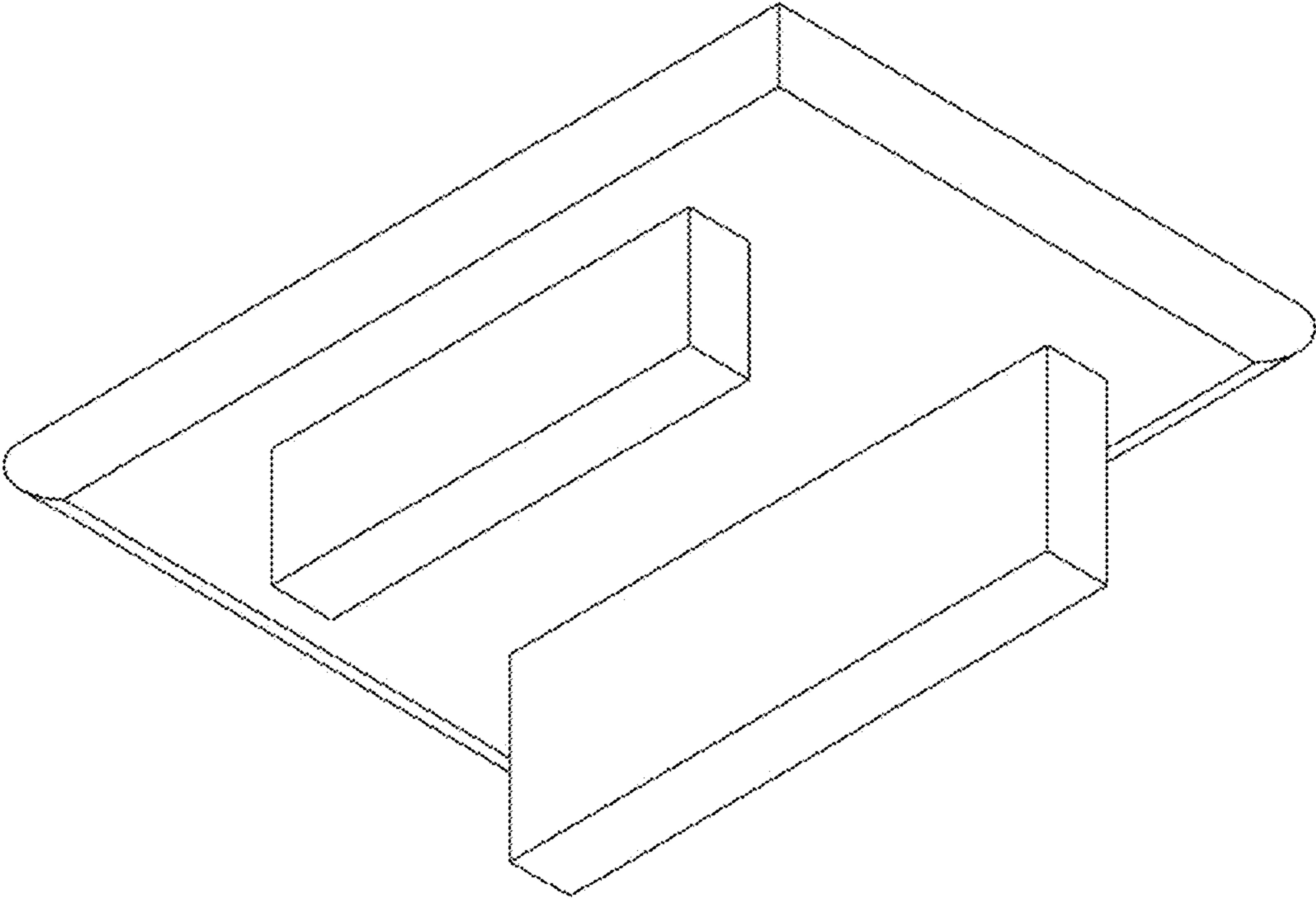


FIG. 13

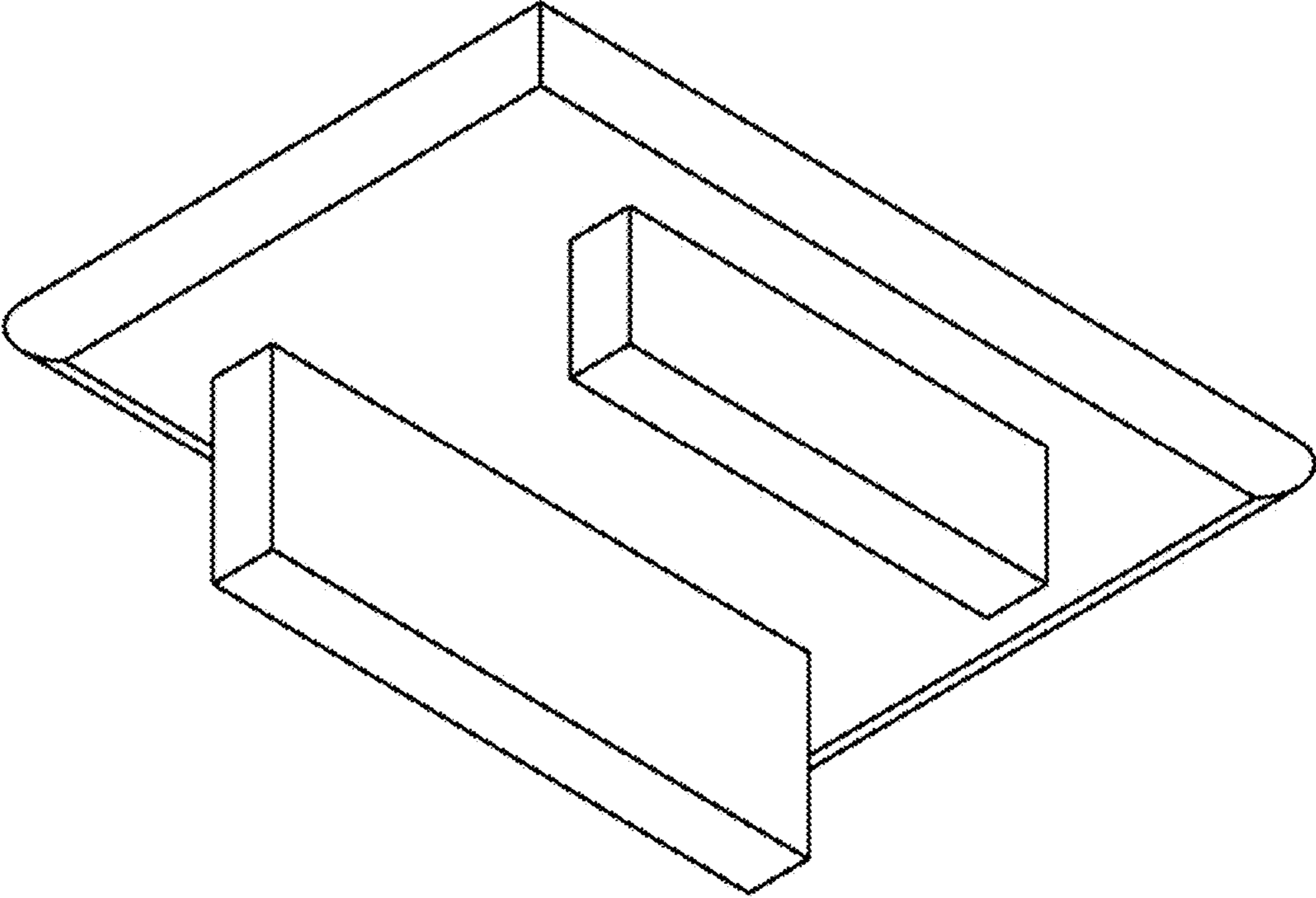


FIG. 14