



US00D853765S

(12) **United States Design Patent**
Garner

(10) **Patent No.:** **US D853,765 S**

(45) **Date of Patent:** **** Jul. 16, 2019**

(54) **CRESCENT-SHAPED TABLE**

(71) Applicant: **Denise Garner**, Red Lion, PA (US)

(72) Inventor: **Denise Garner**, Red Lion, PA (US)

(**) Term: **15 Years**

(21) Appl. No.: **29/628,128**

(22) Filed: **Dec. 1, 2017**

(51) **LOC (11) Cl.** **06-03**

(52) **U.S. Cl.**
USPC **D6/696.4**

(58) **Field of Classification Search**
USPC D6/641, 650, 650.1, 656, 656.13, 656.14,
D6/656.16, 696, 696.2, 696.3, 696.4,
D6/696.7, 697, 699
CPC A47B 7/00; A47B 13/00; A47B 13/02;
A47B 13/04; A47B 13/06; A47B 13/08;
A47B 13/10; A47B 13/12; A47B 21/00;
A47B 2200/001; A47B 2200/0011
See application file for complete search history.

(56) **References Cited**

U.S. PATENT DOCUMENTS

D352,851 S * 11/1994 Hosoe D6/696.3
D383,017 S * 9/1997 Kelly D6/696.3

D396,582 S * 8/1998 Ilitch D6/699
D431,939 S * 10/2000 Risdall D6/696.3
D527,929 S * 9/2006 Martin D6/650

* cited by examiner

Primary Examiner — Mary Ann Calabrese

(74) *Attorney, Agent, or Firm* — Richard K Thomson

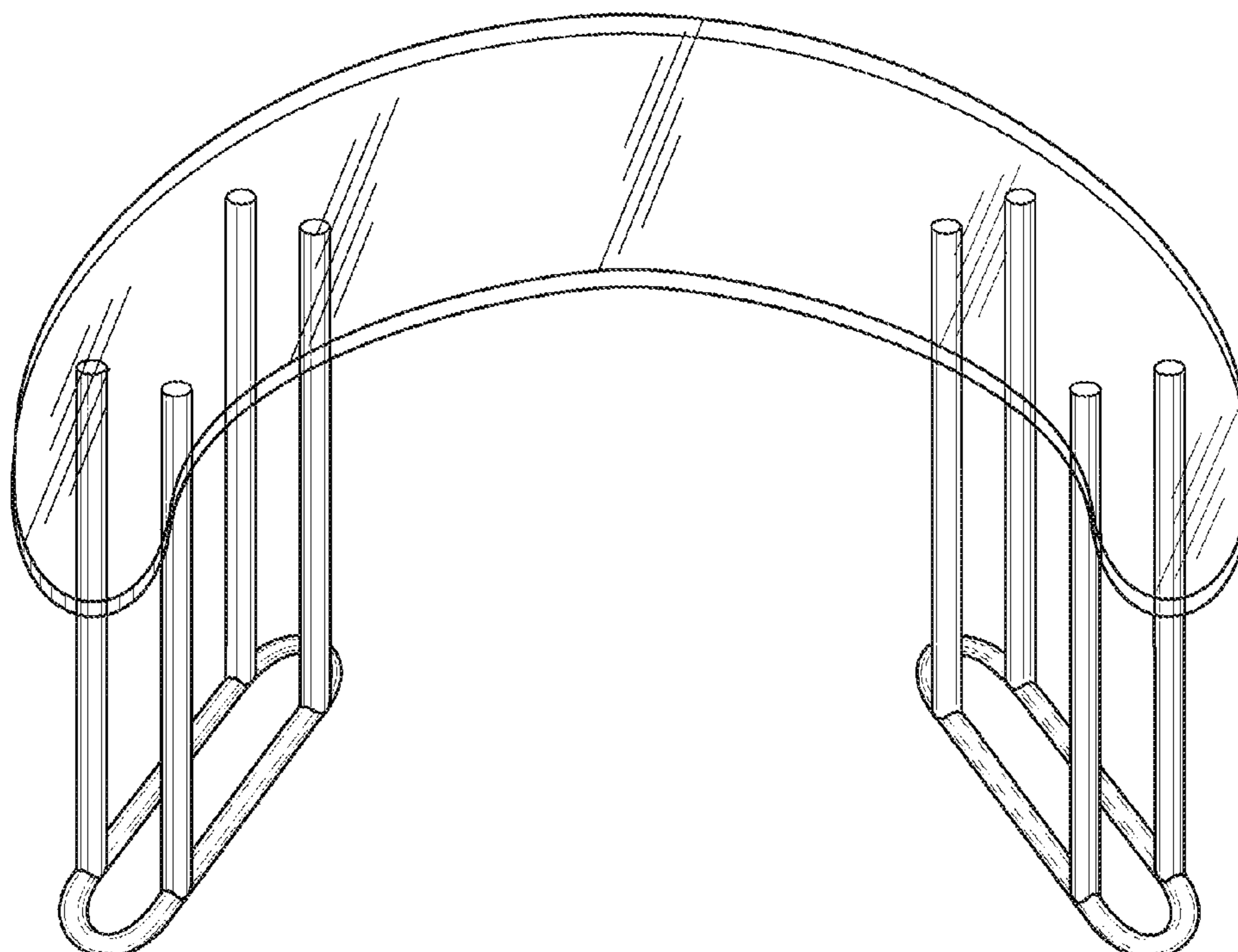
(57) **CLAIM**

The ornamental design for a crescent-shaped table, as shown and described.

DESCRIPTION

FIG. 1 is front perspective view of the crescent-shaped table with a glass top of the present invention;
FIG. 2 is a front view of the table;
FIG. 3 is a rear view of the table;
FIG. 4 is an end view of the left side of the table;
FIG. 5 is an end view of the right side of the table;
FIG. 6 is a top view of the table; and,
FIG. 7 is a bottom view of the end table.

1 Claim, 3 Drawing Sheets



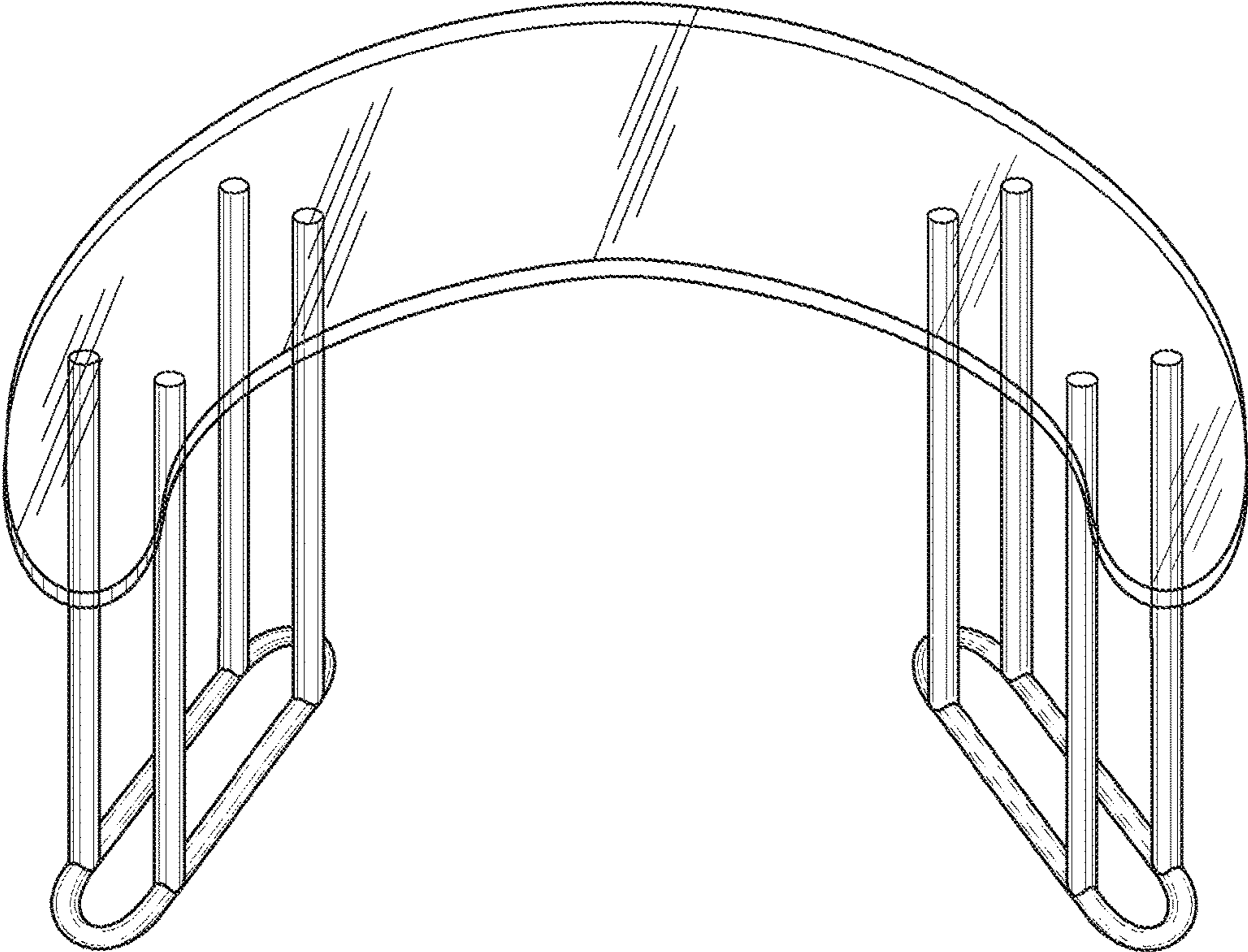


Fig.1

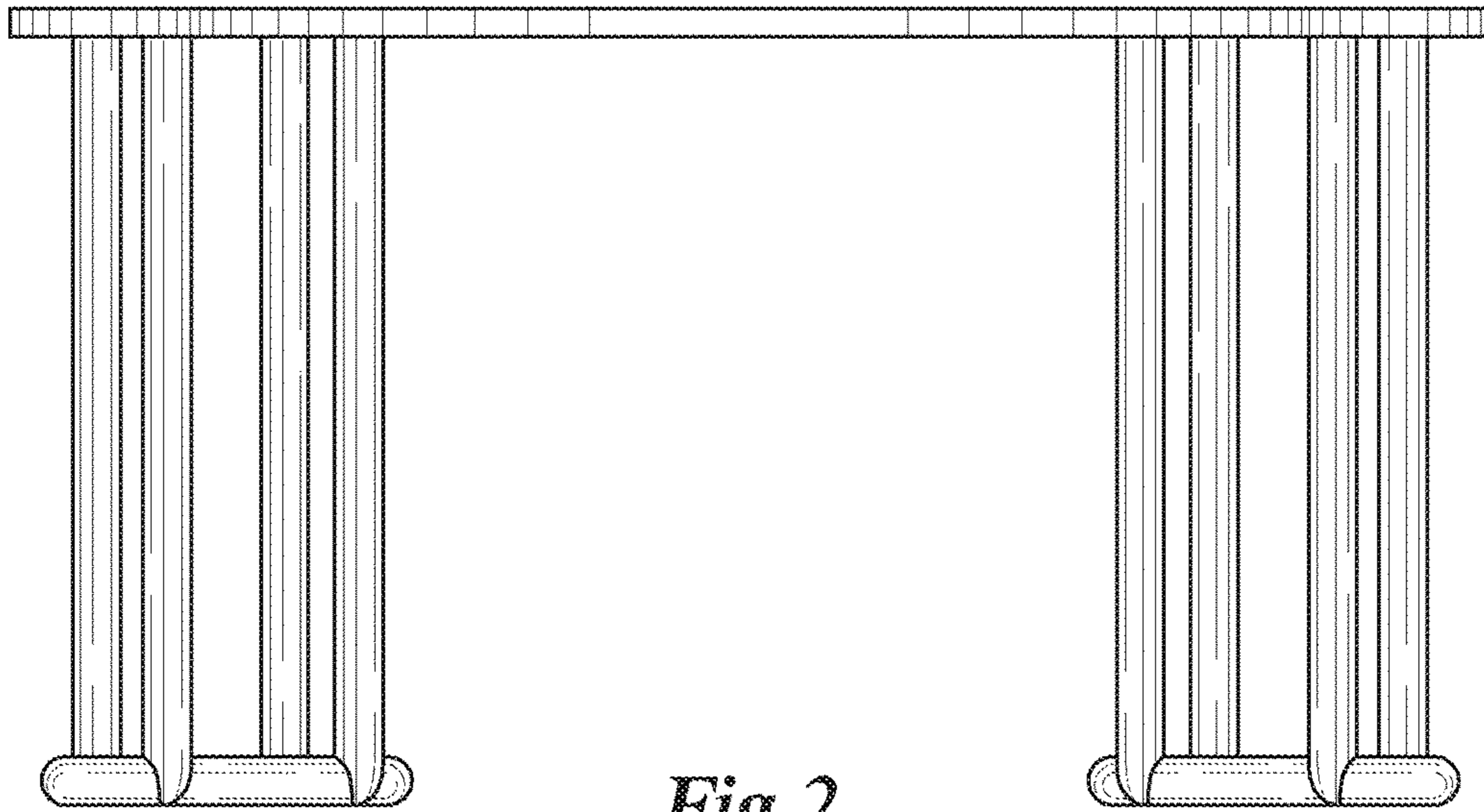


Fig. 2

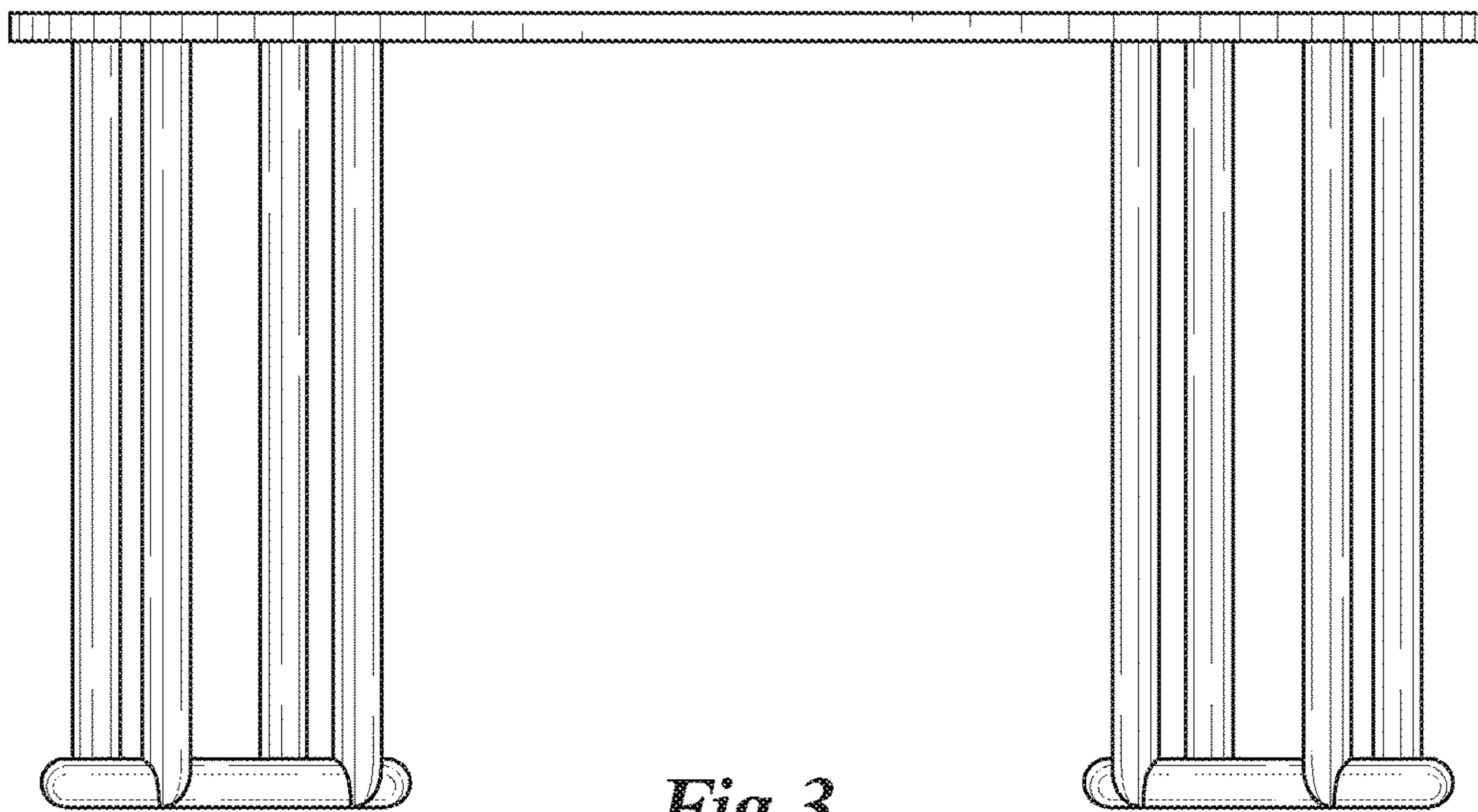


Fig. 3

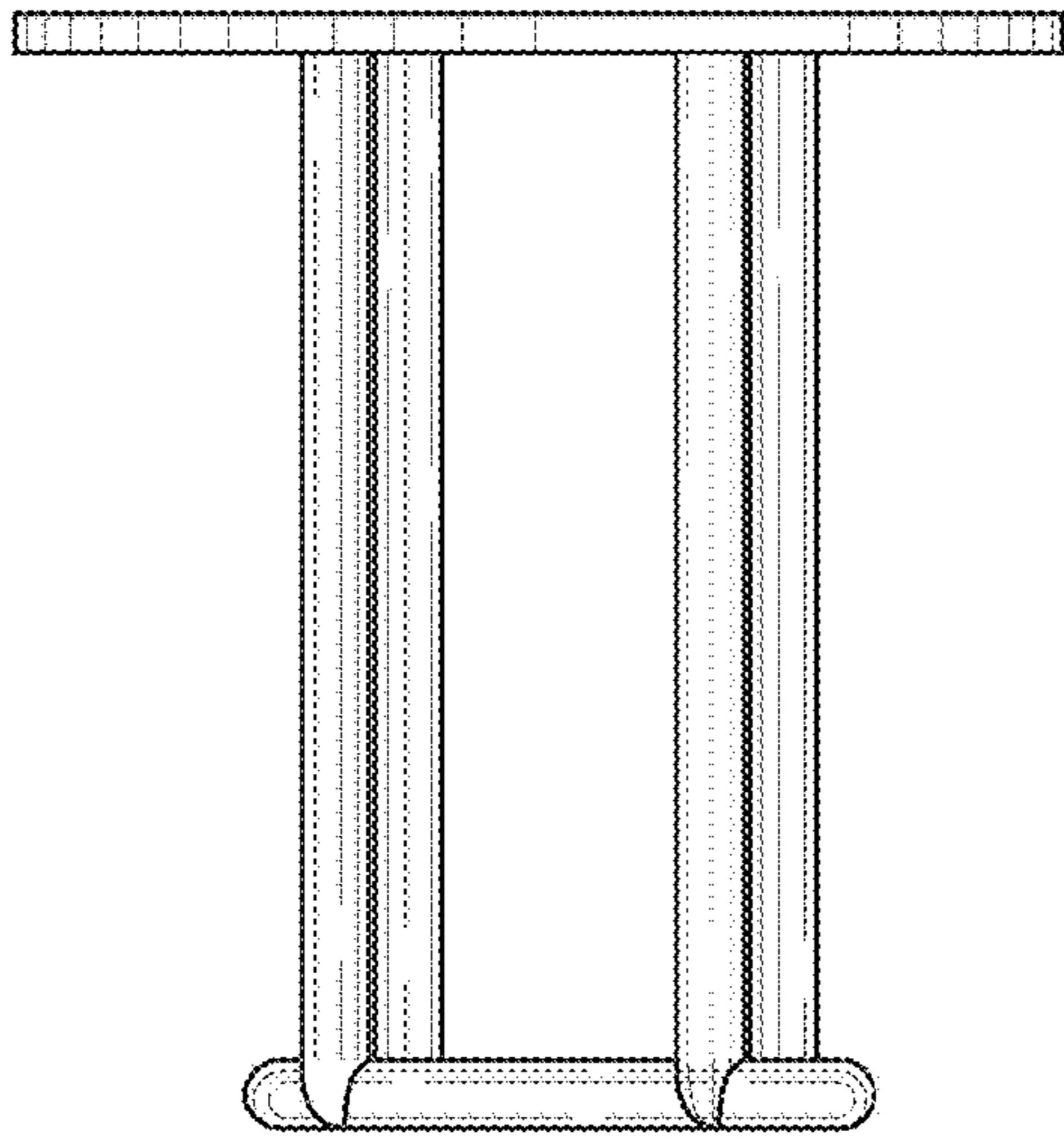


Fig. 4

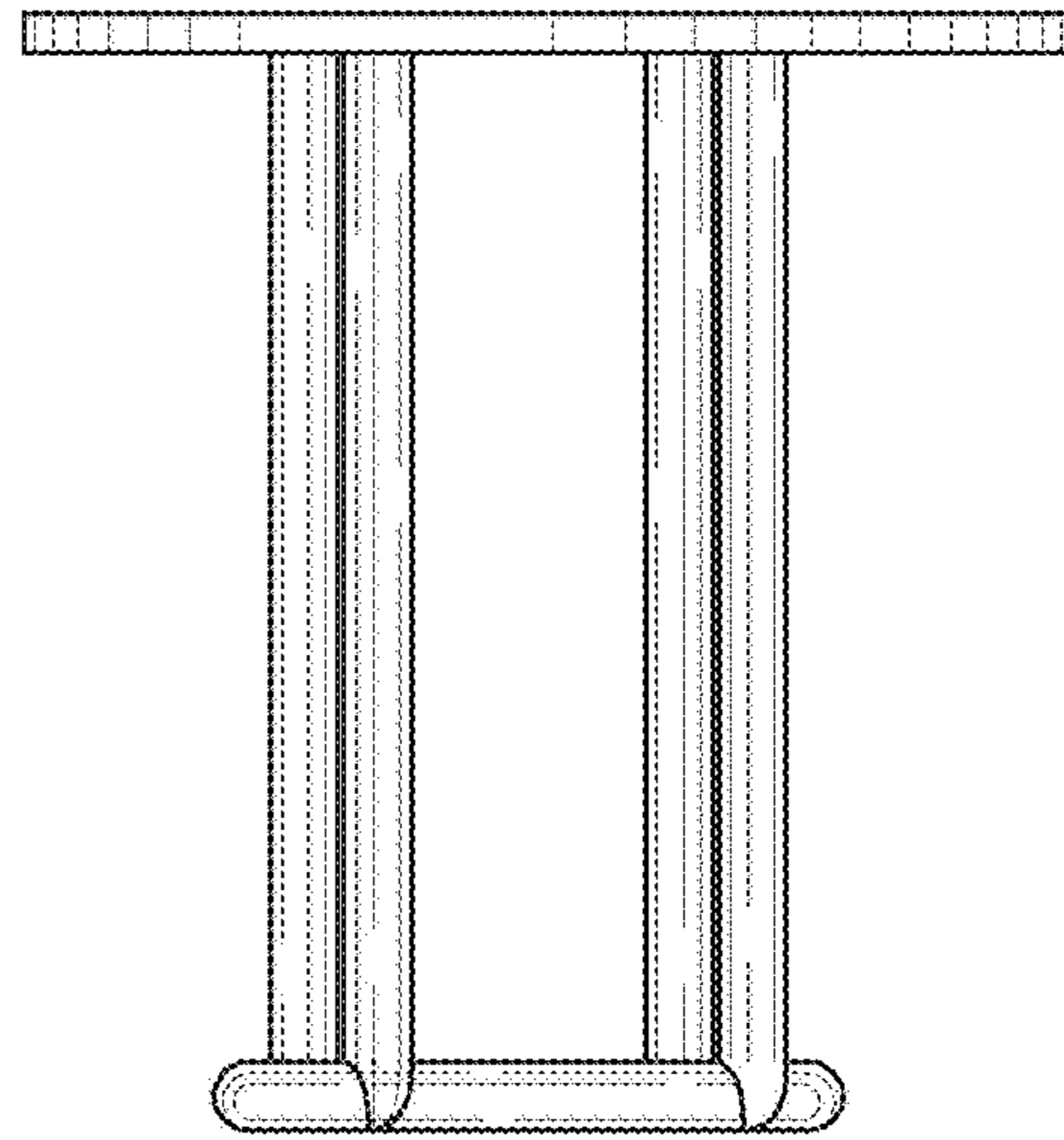


Fig. 5

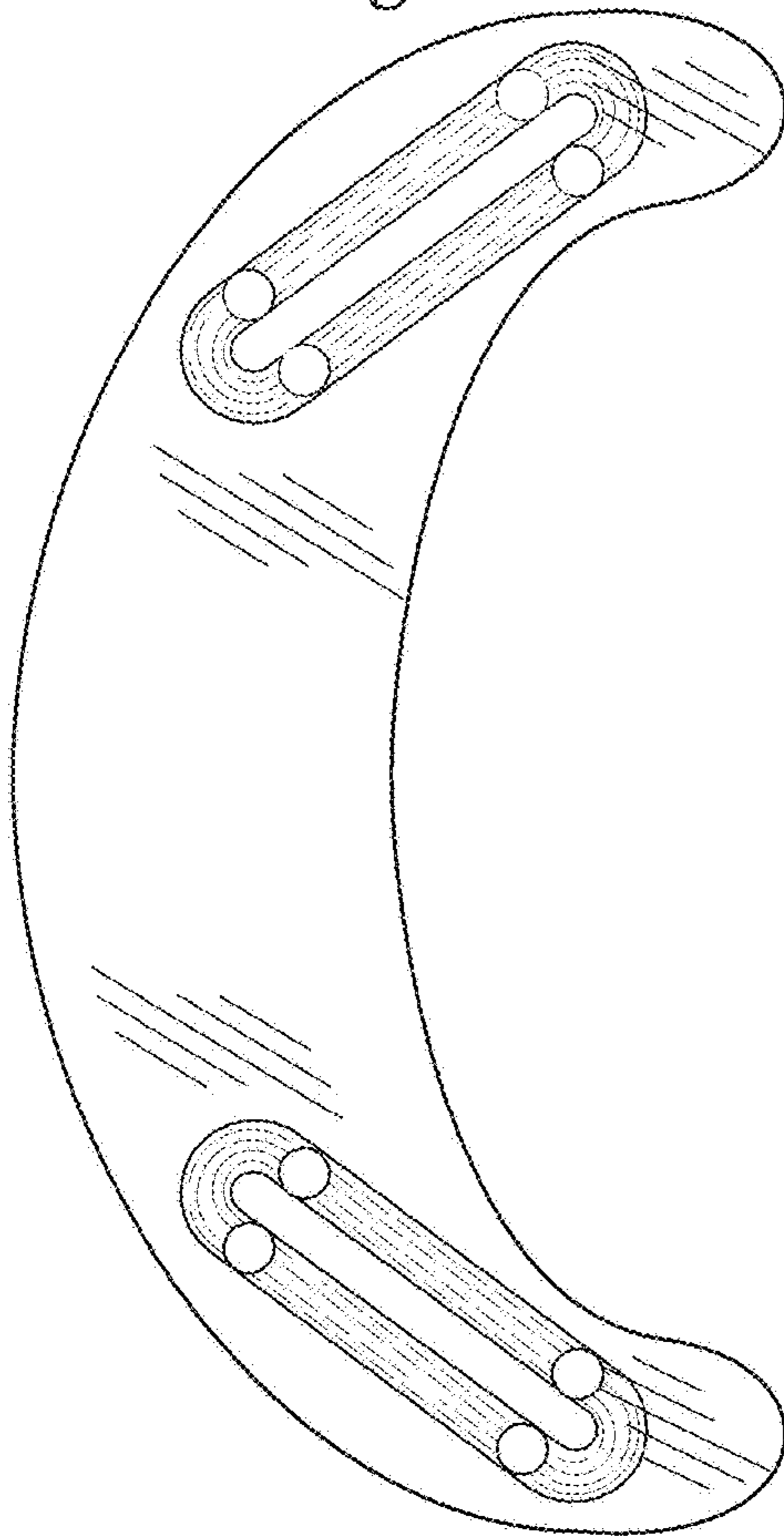


Fig. 6

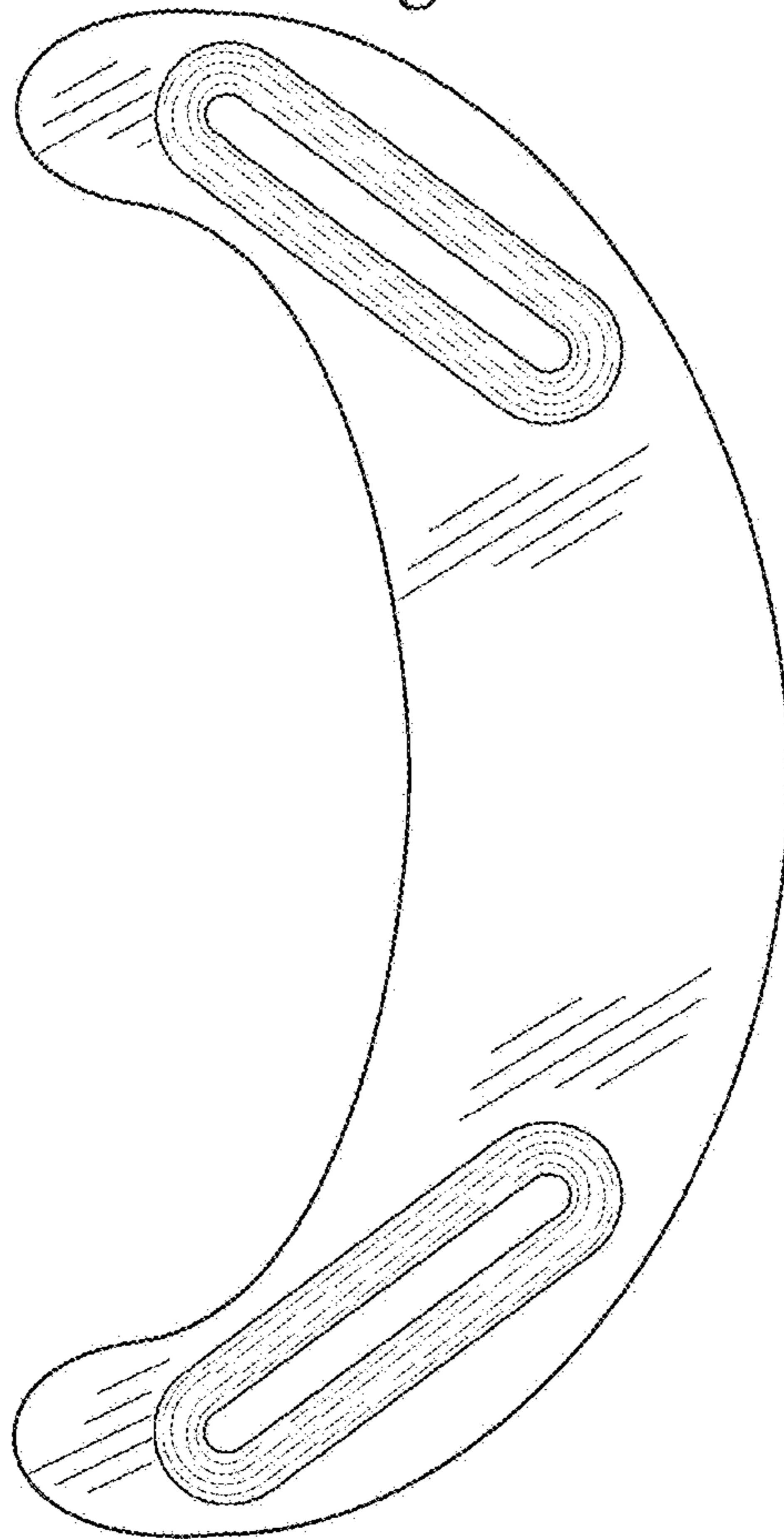


Fig. 7