



US00D853764S

(12) **United States Design Patent**
Voorhees, Jr.

(10) **Patent No.:** **US D853,764 S**
(45) **Date of Patent:** **** Jul. 16, 2019**

- (54) **CANTILEVERED X-TABLE**
- (71) Applicant: **Robert F. Voorhees, Jr.**, Toms River, NJ (US)
- (72) Inventor: **Robert F. Voorhees, Jr.**, Toms River, NJ (US)
- (**) Term: **15 Years**
- (21) Appl. No.: **29/627,343**
- (22) Filed: **Nov. 27, 2017**
- (51) **LOC (11) Cl.** **06-03**
- (52) **U.S. Cl.**
USPC **D6/692.2**
- (58) **Field of Classification Search**
USPC D6/349, 685, 691, 691.1-691.9, 708
CPC A47B 7/00; A47B 13/00; A47B 13/02;
A47B 13/04; A47B 13/08; A47B 13/12;
A47B 21/00
See application file for complete search history.

- D238,404 S * 1/1976 Owens D21/522
- D242,681 S * 12/1976 Thomas D6/691
- D620,287 S * 7/2010 Haudressy D6/691
- D820,624 S * 6/2018 Dawson D6/692

* cited by examiner

Primary Examiner — Mary Ann Calabrese
(74) *Attorney, Agent, or Firm* — Roy L. Chan, A Professional Law Corporation; Roy L. Chan

(57) **CLAIM**

The ornamental design for a cantilevered X-table, as shown and described.

DESCRIPTION

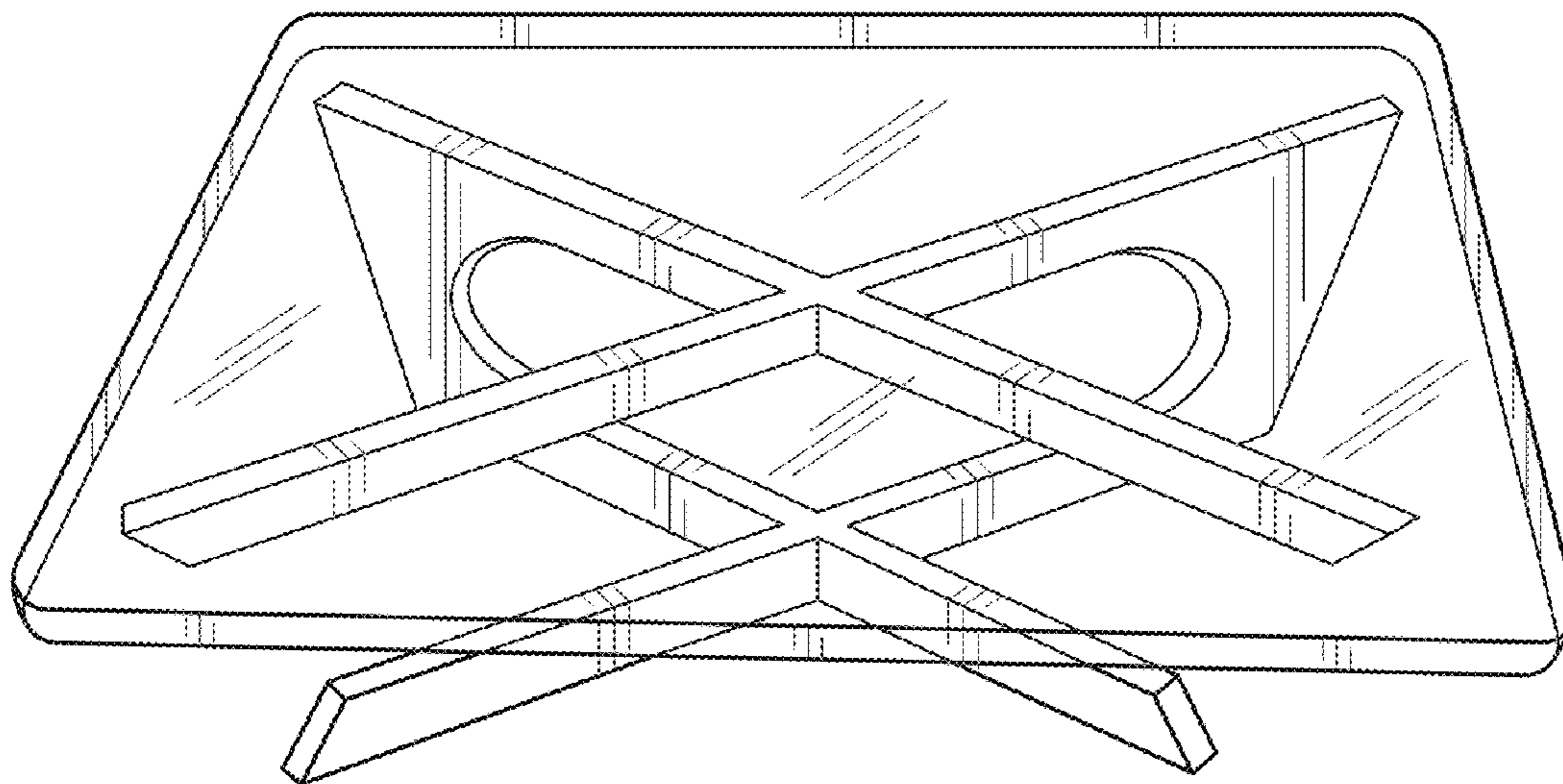
FIG. 1 is a top front perspective view of a cantilevered X-table showing my new design;
 FIG. 2 is a top left side perspective view thereof;
 FIG. 3 is a top view thereof;
 FIG. 4 is a left side view thereof;
 FIG. 5 is a right side view thereof;
 FIG. 6 is a back view thereof;
 FIG. 7 is a front view thereof; and,
 FIG. 8 is a bottom view thereof.
 FIG. 9 top front perspective view of an alternative embodiment of a cantilevered X-table showing my new design;
 FIG. 10 is a top view thereof;
 FIG. 11 is a back view thereof;
 FIG. 12 is a front view thereof; and,
 FIG. 13 is a bottom view thereof.

(56) **References Cited**

U.S. PATENT DOCUMENTS

- D200,413 S * 2/1965 Pearsall D6/708
- D216,471 S * 1/1970 Dixon D6/691
- D222,278 S * 10/1971 Thornhill 108/156
- D225,949 S * 1/1973 Torrey D6/691.5

1 Claim, 13 Drawing Sheets



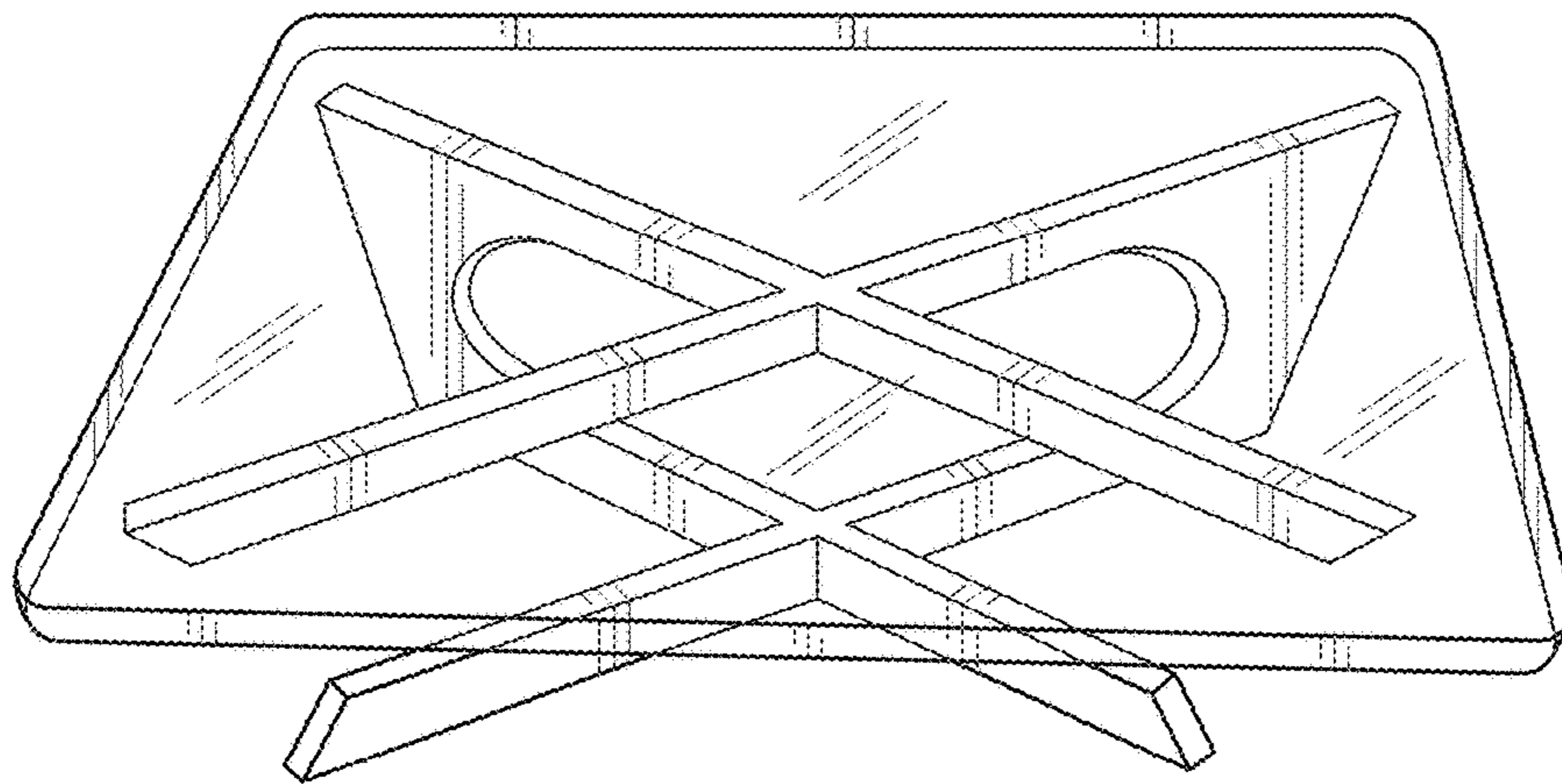


FIG. 1

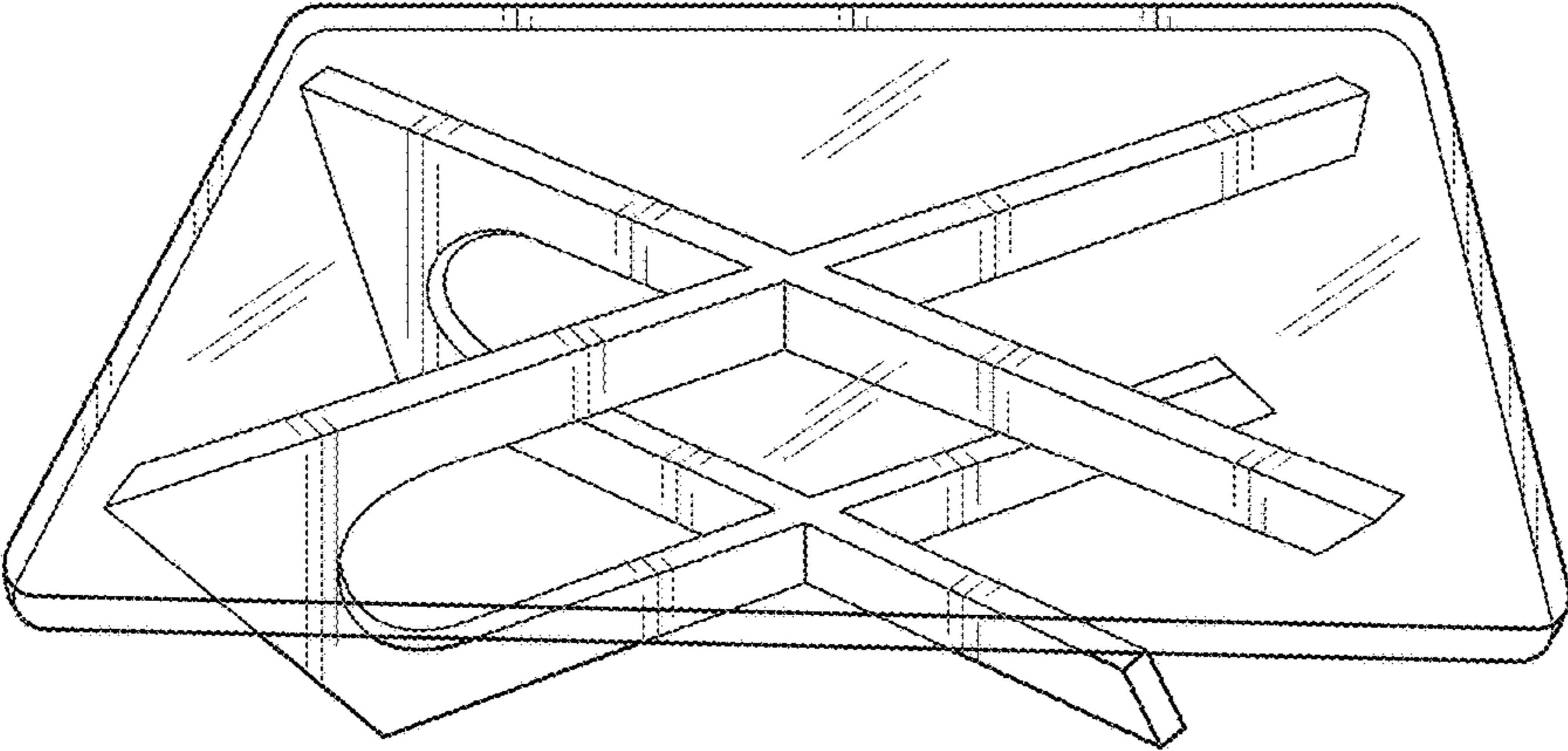


FIG. 2

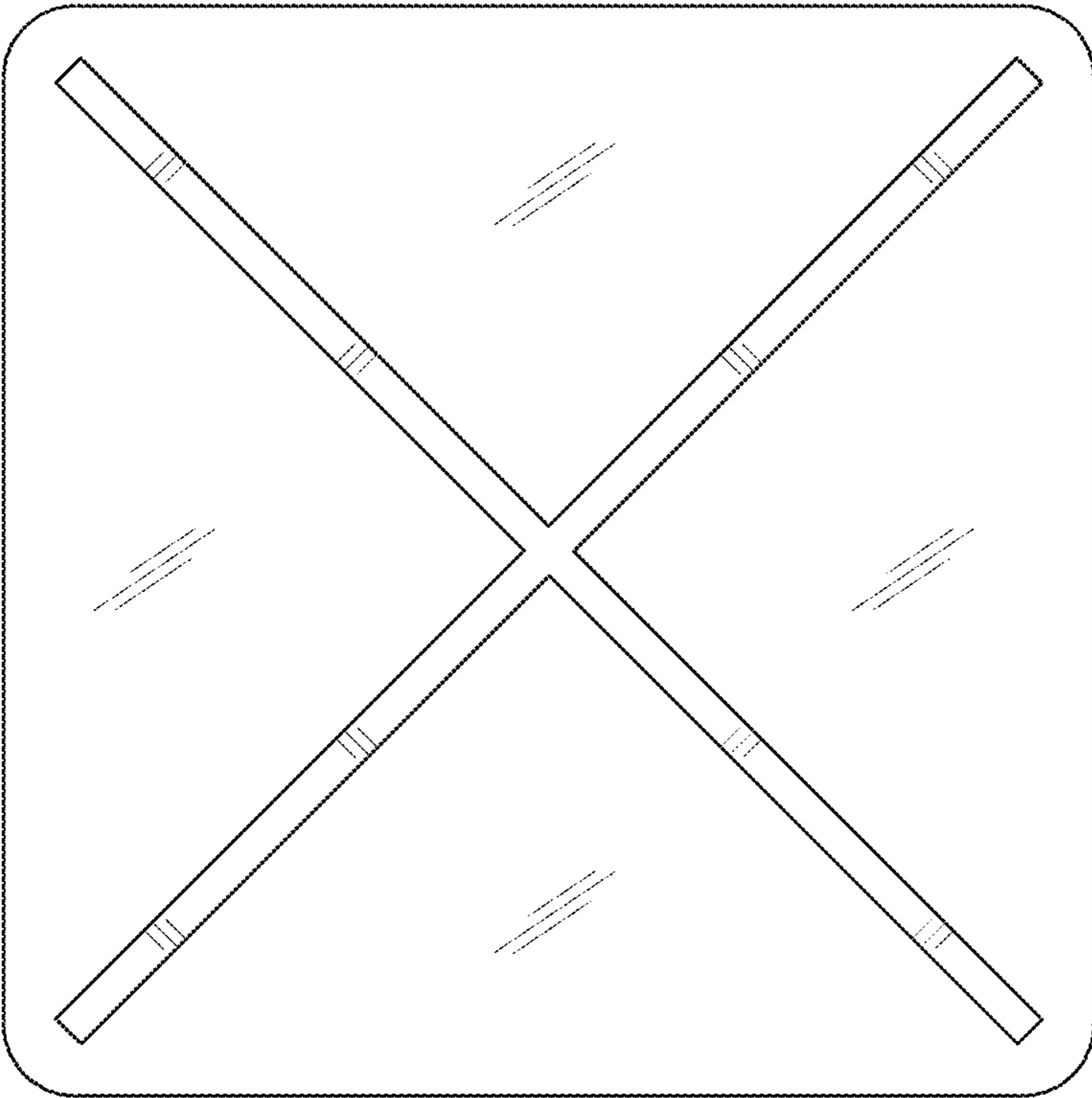


FIG. 3

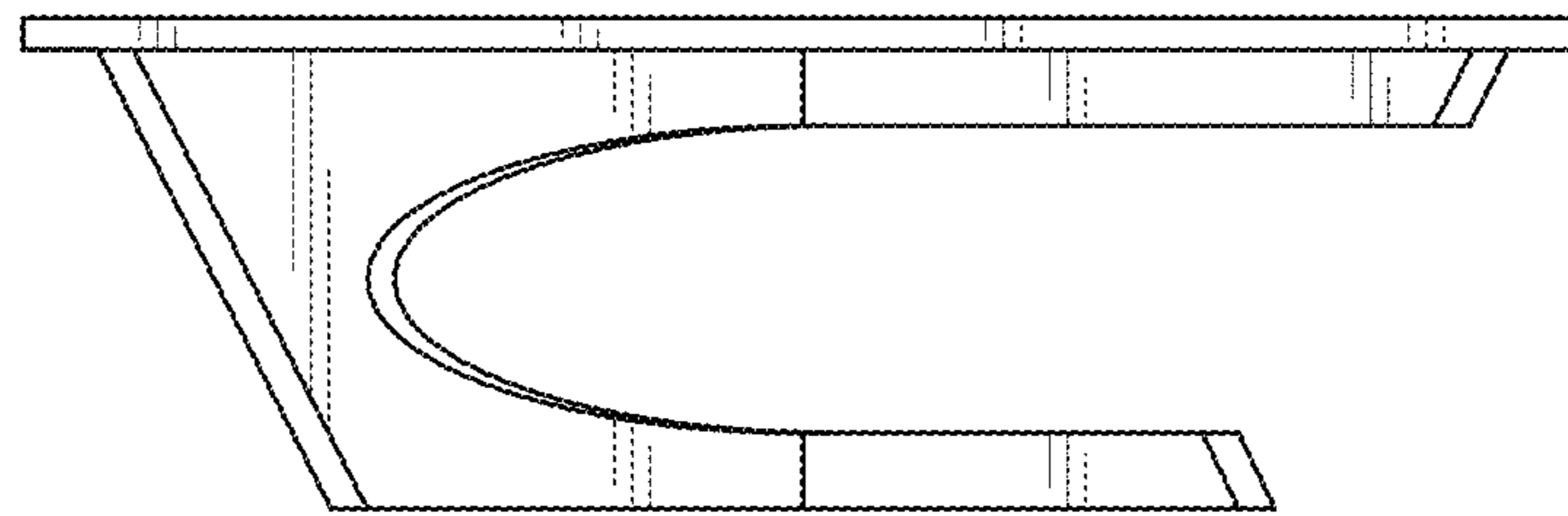


FIG. 4

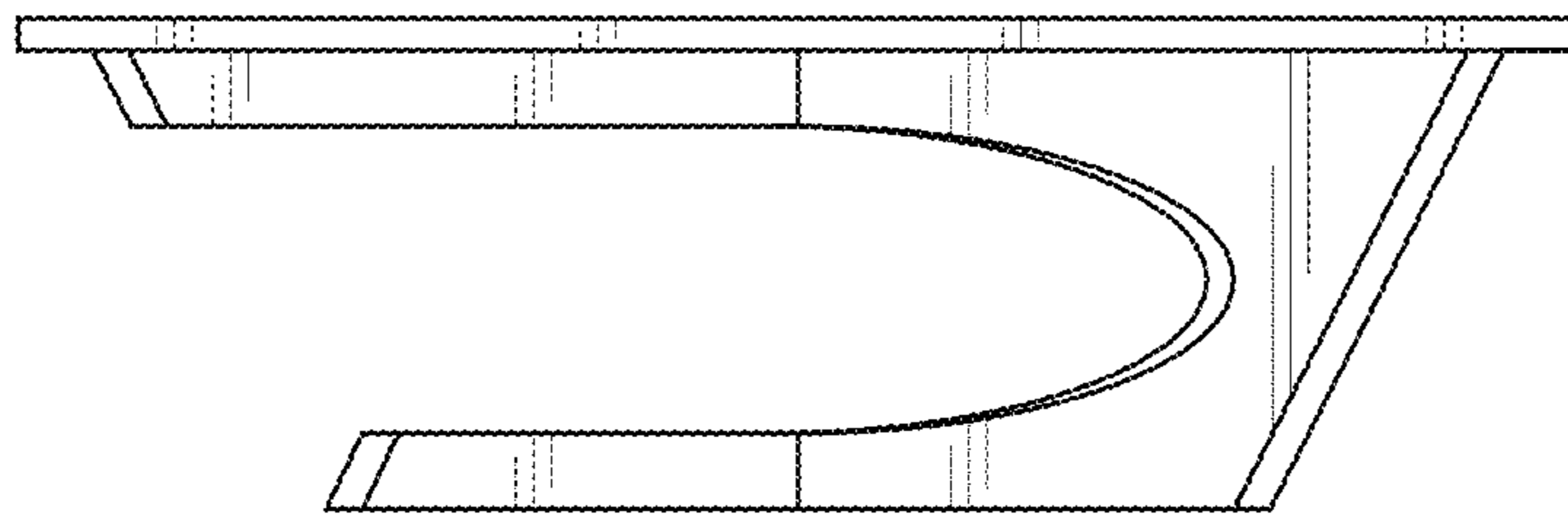


FIG. 5

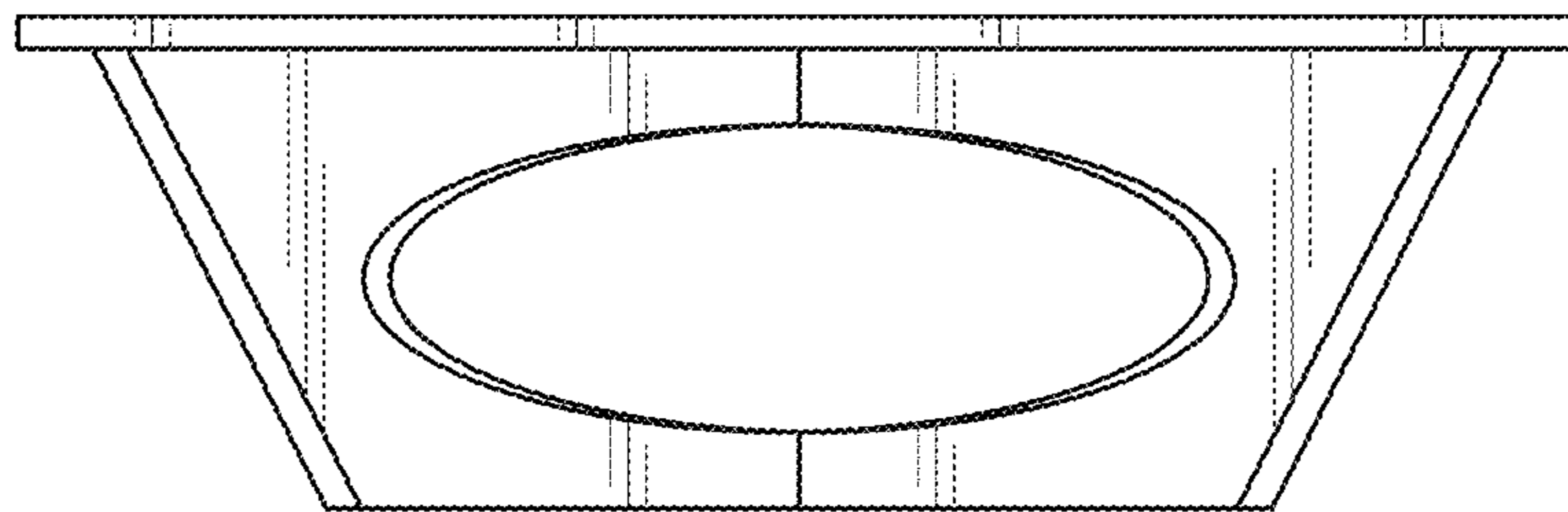


FIG. 6

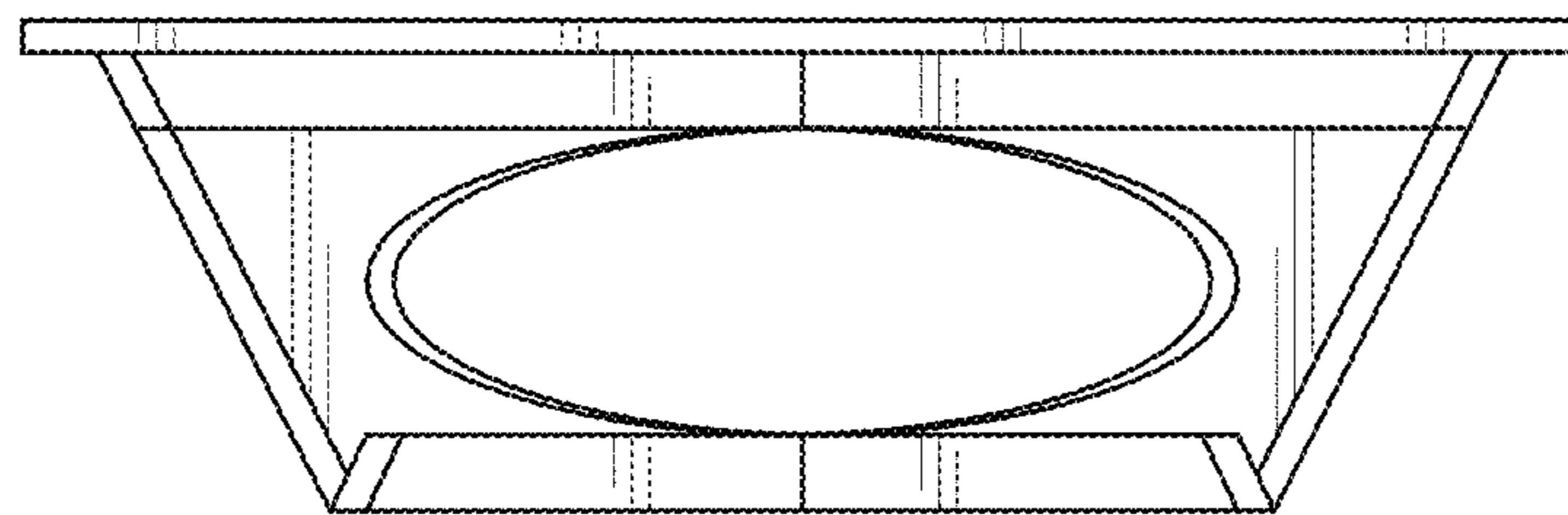


FIG. 7

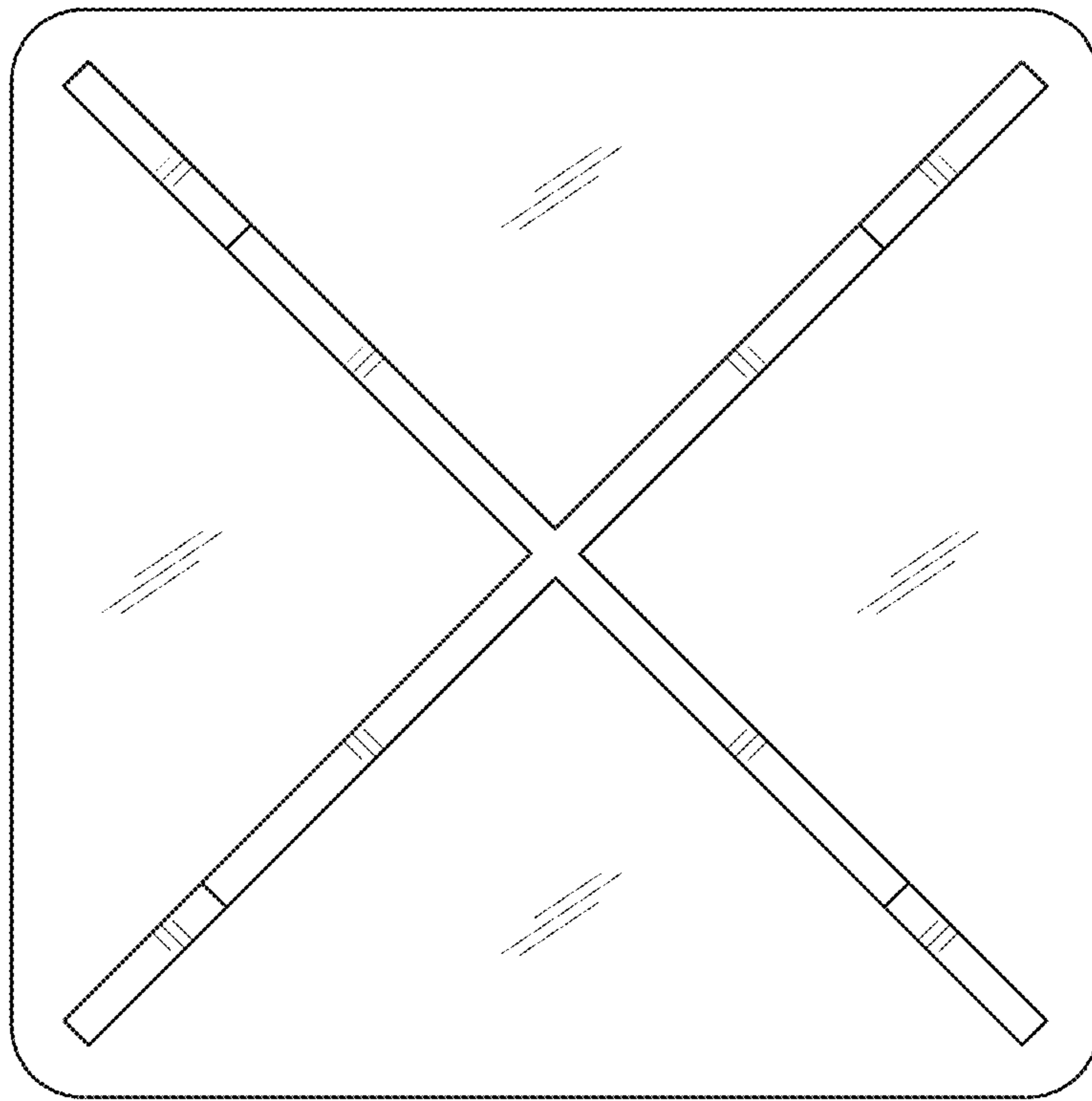


FIG. 8

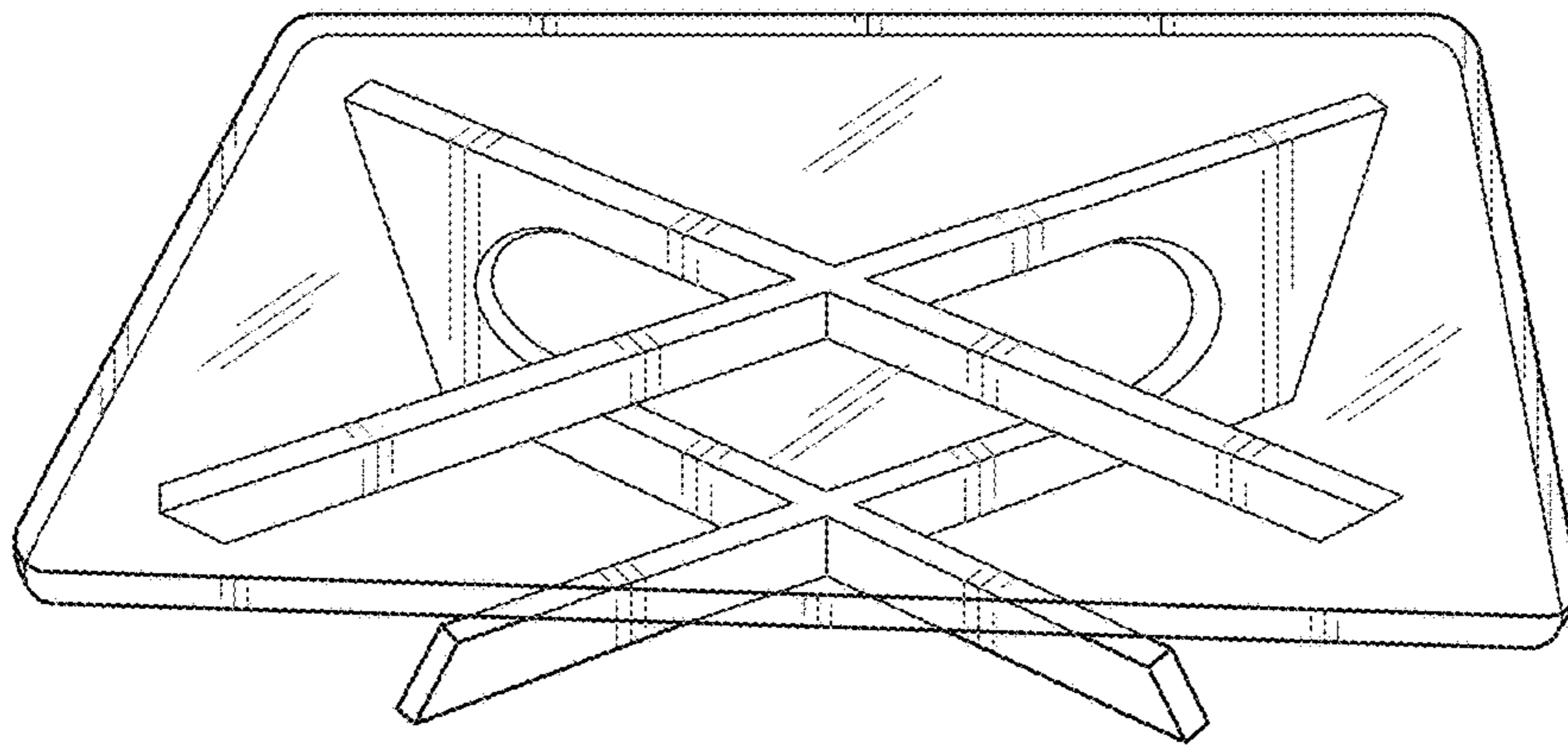


FIG. 9

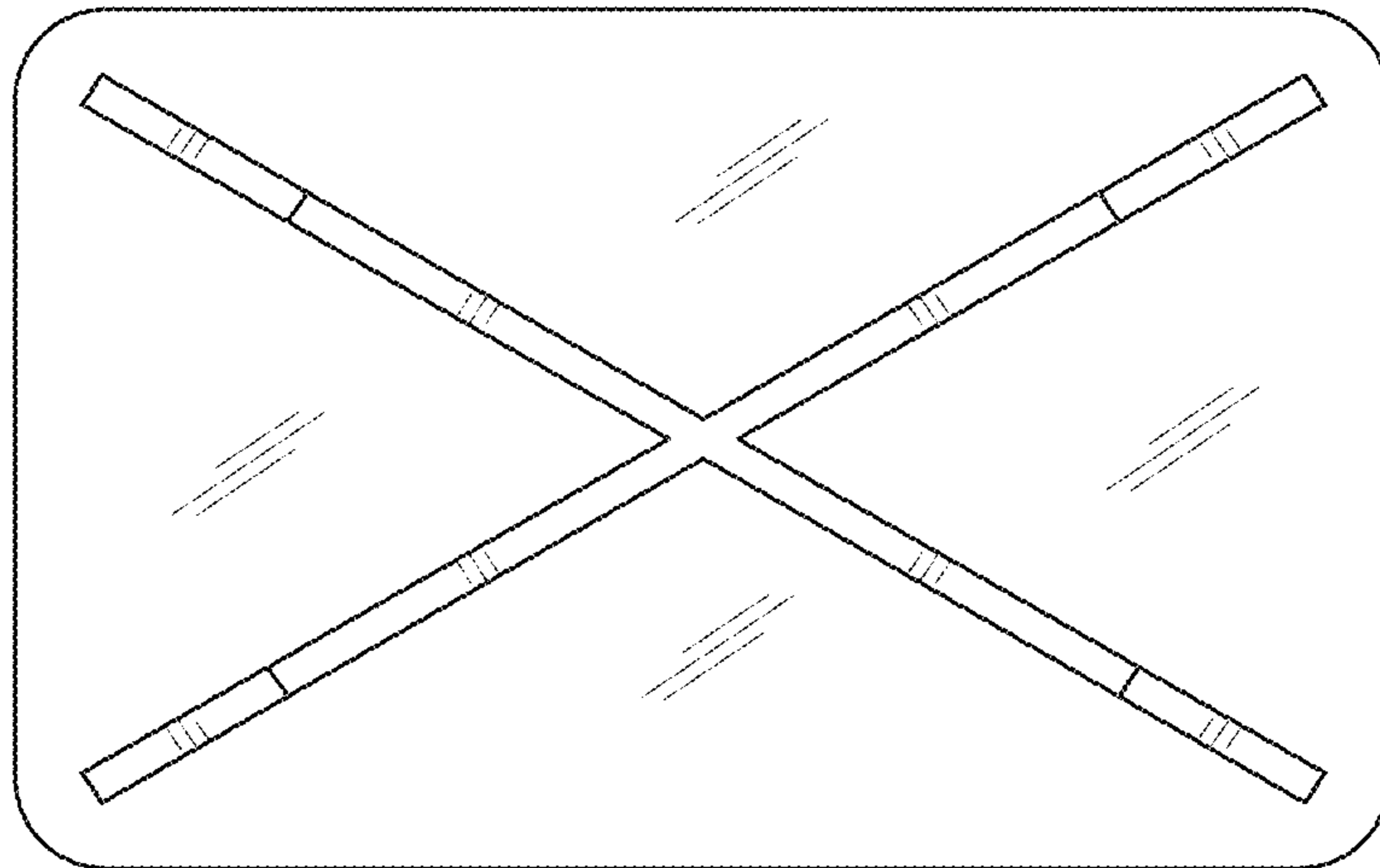


FIG. 10

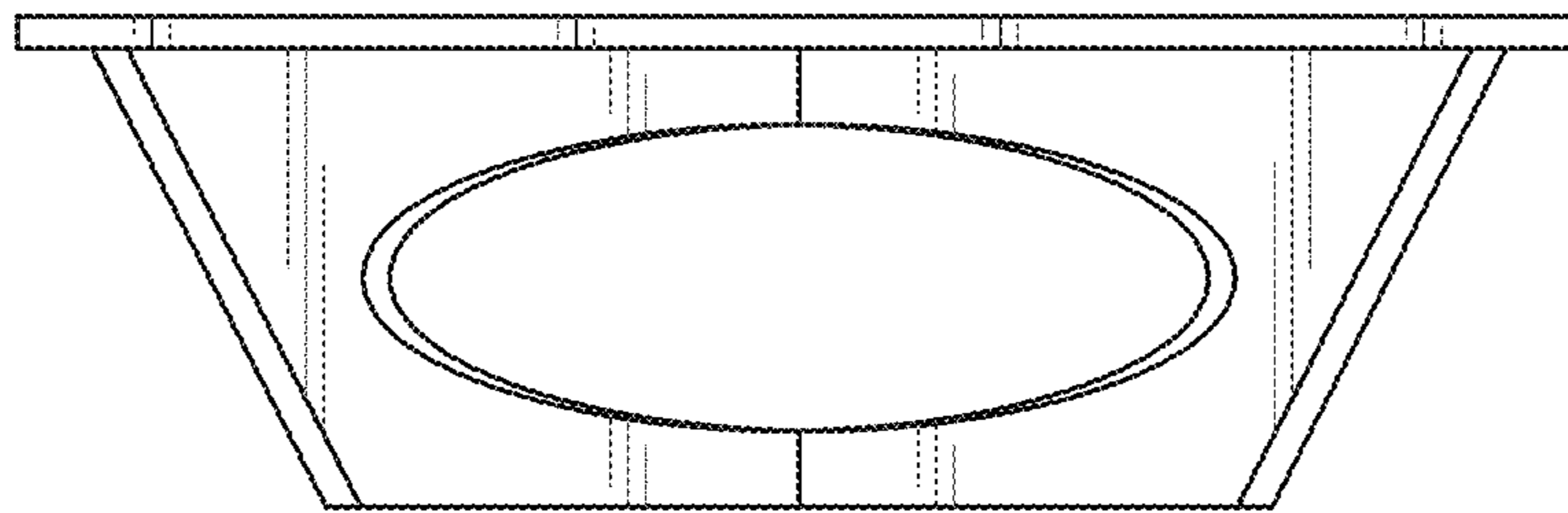


FIG. 11

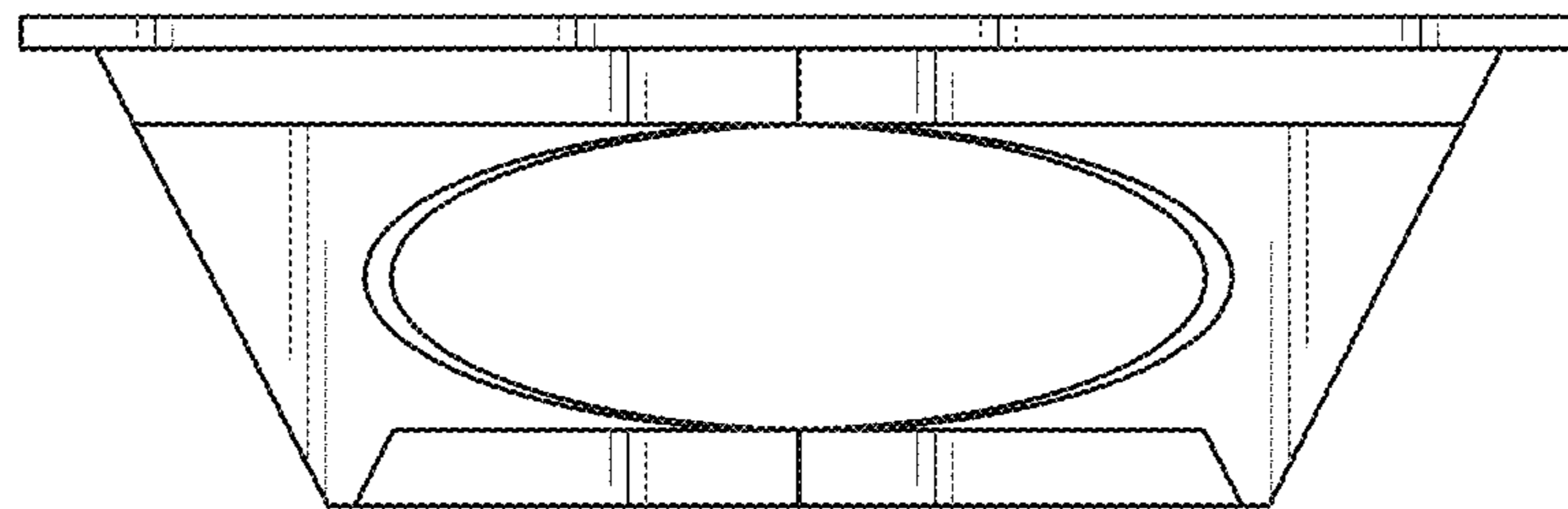


FIG. 12

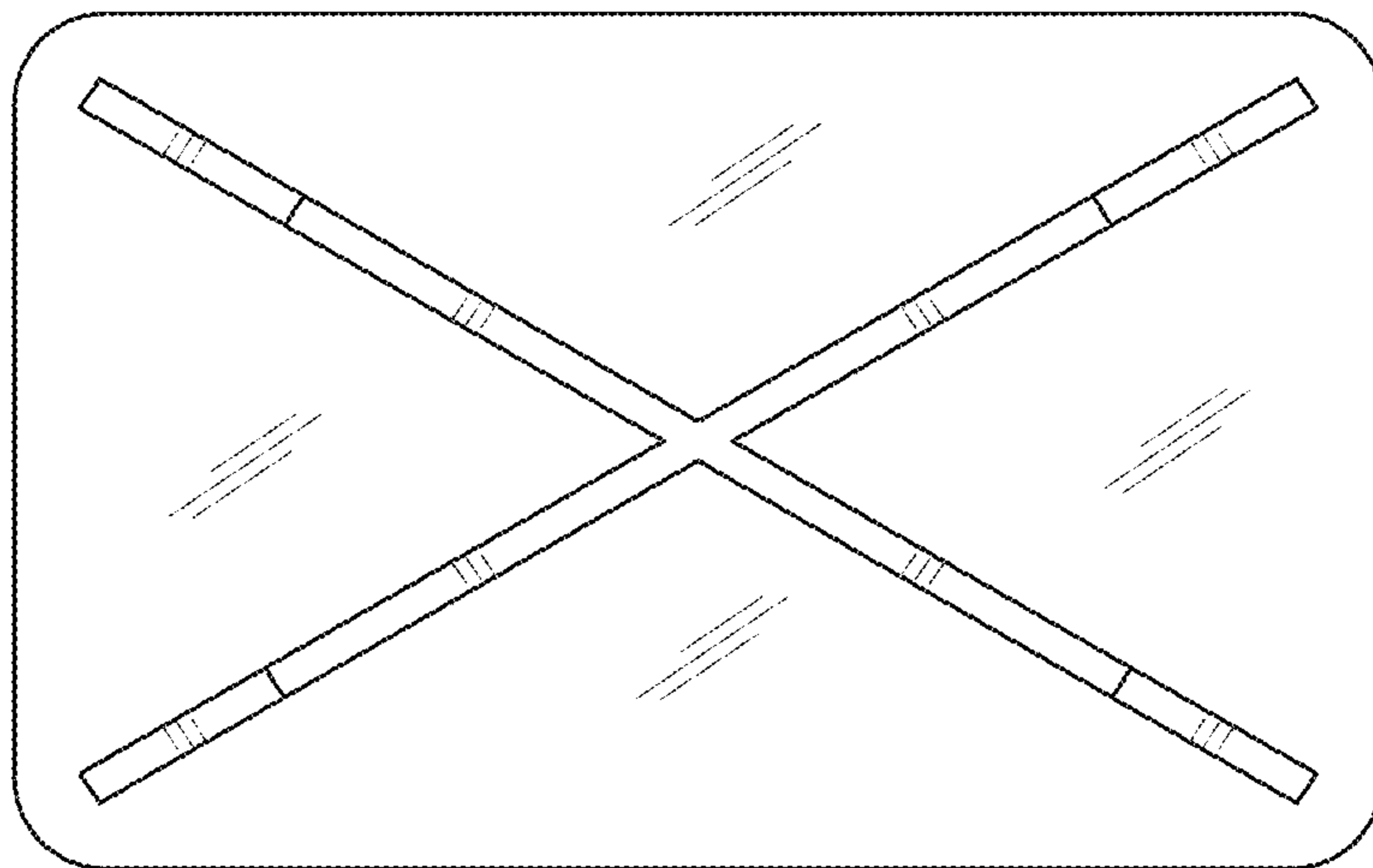


FIG. 13