



US00D853763S

(12) **United States Design Patent** (10) **Patent No.:** **US D853,763 S**  
**Williams** (45) **Date of Patent:** **\*\* Jul. 16, 2019**

(54) **TWO-LAYER RACK**  
(71) Applicant: **W. K. WU PRODUCTS INC.**, New Taipei (TW)  
(72) Inventor: **Theo Williams**, New Taipei (TW)  
(73) Assignee: **W. K. WU PRODUCTS INC.**, New Taipei (TW)  
(\*\*) Term: **15 Years**  
(21) Appl. No.: **29/627,376**  
(22) Filed: **Nov. 27, 2017**  
(51) **LOC (11) Cl.** ..... **06-06**  
(52) **U.S. Cl.**  
USPC ..... **D6/675.2**  
(58) **Field of Classification Search**  
USPC ..... D34/12, 27; D6/675, 675.1, 675.2;  
D3/304, 306, 314  
CPC ..... A47B 13/02; A47B 31/00; A47B 55/02;  
A47F 5/0018; A47F 5/01  
See application file for complete search history.

D572,940 S \* 7/2008 Murray ..... D6/562  
D588,840 S \* 3/2009 Dretzka ..... D6/525  
D703,455 S \* 4/2014 Mulholland ..... D6/349  
D750,403 S \* 3/2016 Polidoros ..... D6/691.6  
D752,906 S \* 4/2016 Gunderson ..... D6/675.1  
D760,515 S \* 7/2016 Snider ..... D6/675.2  
D761,043 S \* 7/2016 Snider ..... D6/675.2  
D781,080 S \* 3/2017 Jordan ..... D6/675.1  
D784,738 S \* 4/2017 Wang ..... D6/683.1  
D785,979 S \* 5/2017 Snider ..... D6/675.1  
D785,995 S \* 5/2017 Tsai ..... D6/675.1  
D787,241 S \* 5/2017 Arzaluz ..... D6/675.2  
D815,470 S \* 4/2018 Kraemer ..... D6/675.2  
D818,292 S \* 5/2018 Yoshioka ..... D6/678.1  
2016/0035255 A1 \* 2/2016 Marler ..... G09F 3/204  
211/186

\* cited by examiner

*Primary Examiner* — Kelley A Donnelly  
(74) *Attorney, Agent, or Firm* — Muncy, Geissler, Olds & Lowe, P.C.

(57) **CLAIM**

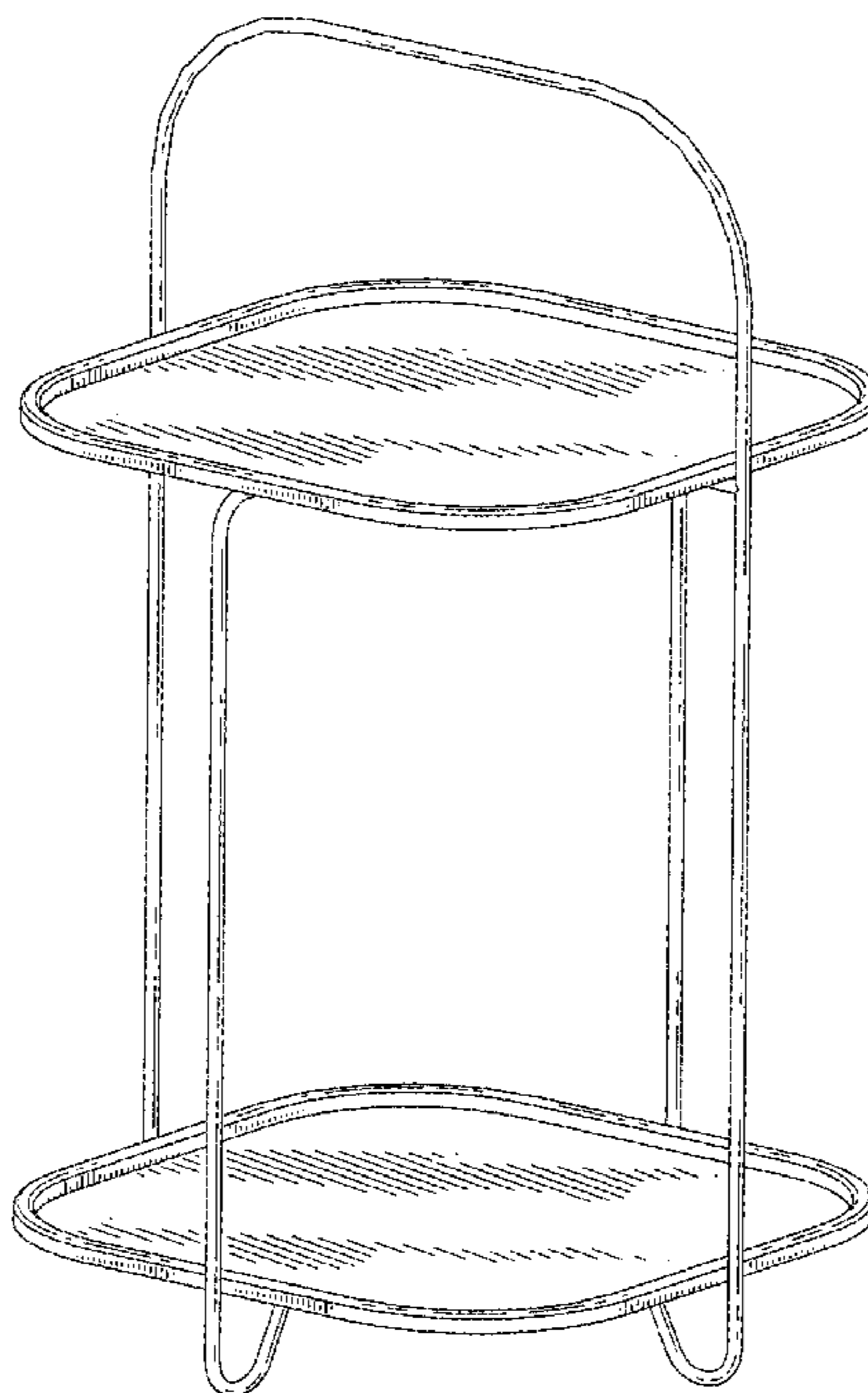
I claim the ornamental design for a two-layer rack, as shown and described.

**DESCRIPTION**

FIG. 1 is a perspective view of “two-layer rack” showing my new design.  
FIG. 2 is a front elevation view of “two-layer rack”.  
FIG. 3 is a rear elevation view of “two-layer rack”.  
FIG. 4 is a left side elevation view of “two-layer rack”.  
FIG. 5 is a right side elevation view of “two-layer rack”.  
FIG. 6 is a top plan view of “two-layer rack”; and,  
FIG. 7 is a bottom plan view of “two-layer rack”.

**1 Claim, 7 Drawing Sheets**

(56) **References Cited**  
U.S. PATENT DOCUMENTS  
2,913,128 A \* 11/1959 Milner ..... A47B 55/02  
108/181  
D239,352 S \* 3/1976 Petrick ..... D6/675.1  
D292,764 S \* 11/1987 Kester ..... D6/675.2  
D455,030 S \* 4/2002 Harwanko ..... D6/675.1  
D493,660 S \* 8/2004 Goodman ..... D6/566  
D528,342 S \* 9/2006 Yu  
D542,058 S \* 5/2007 Clucas ..... D6/675.2



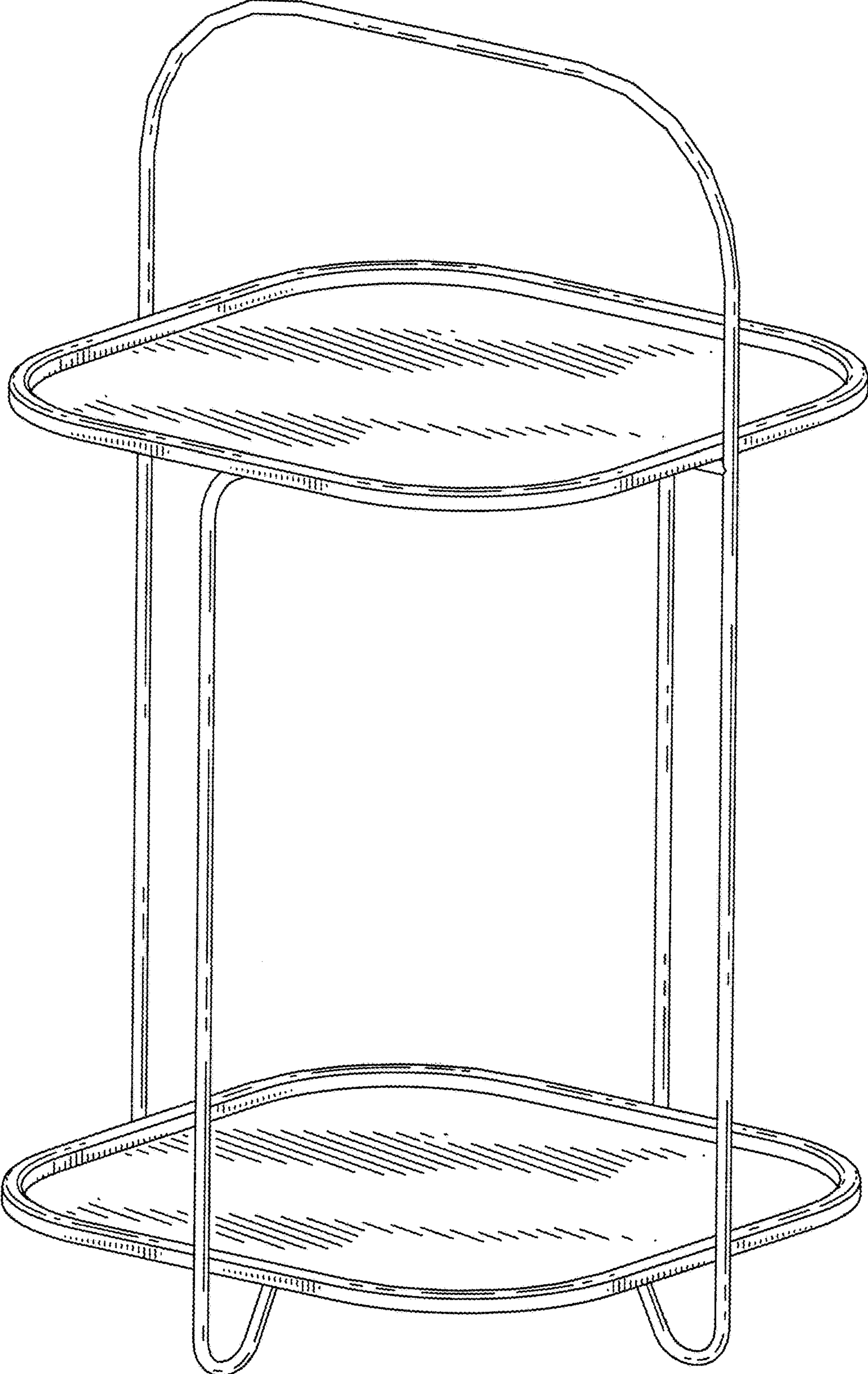


FIG. 1

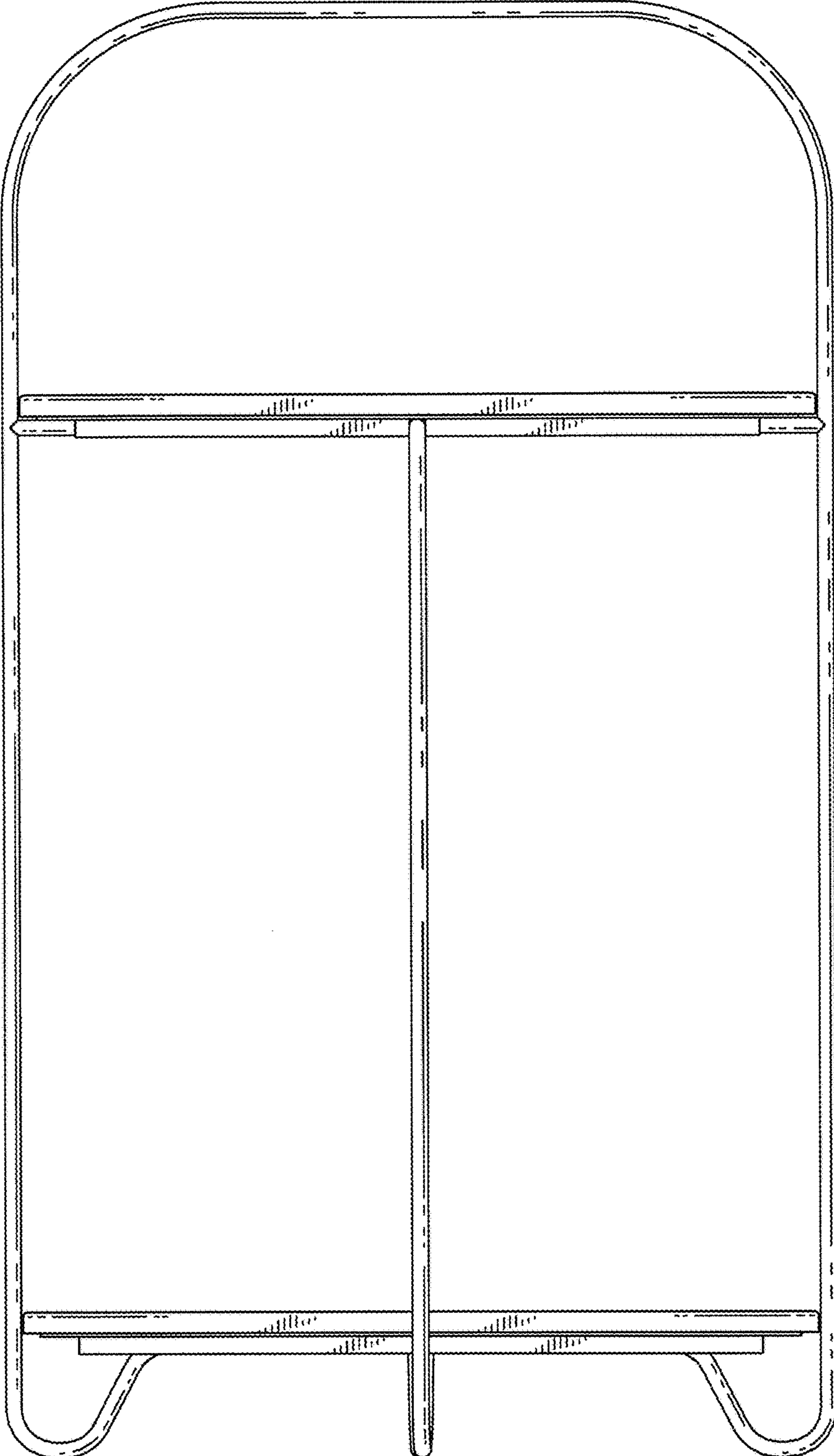


FIG. 2

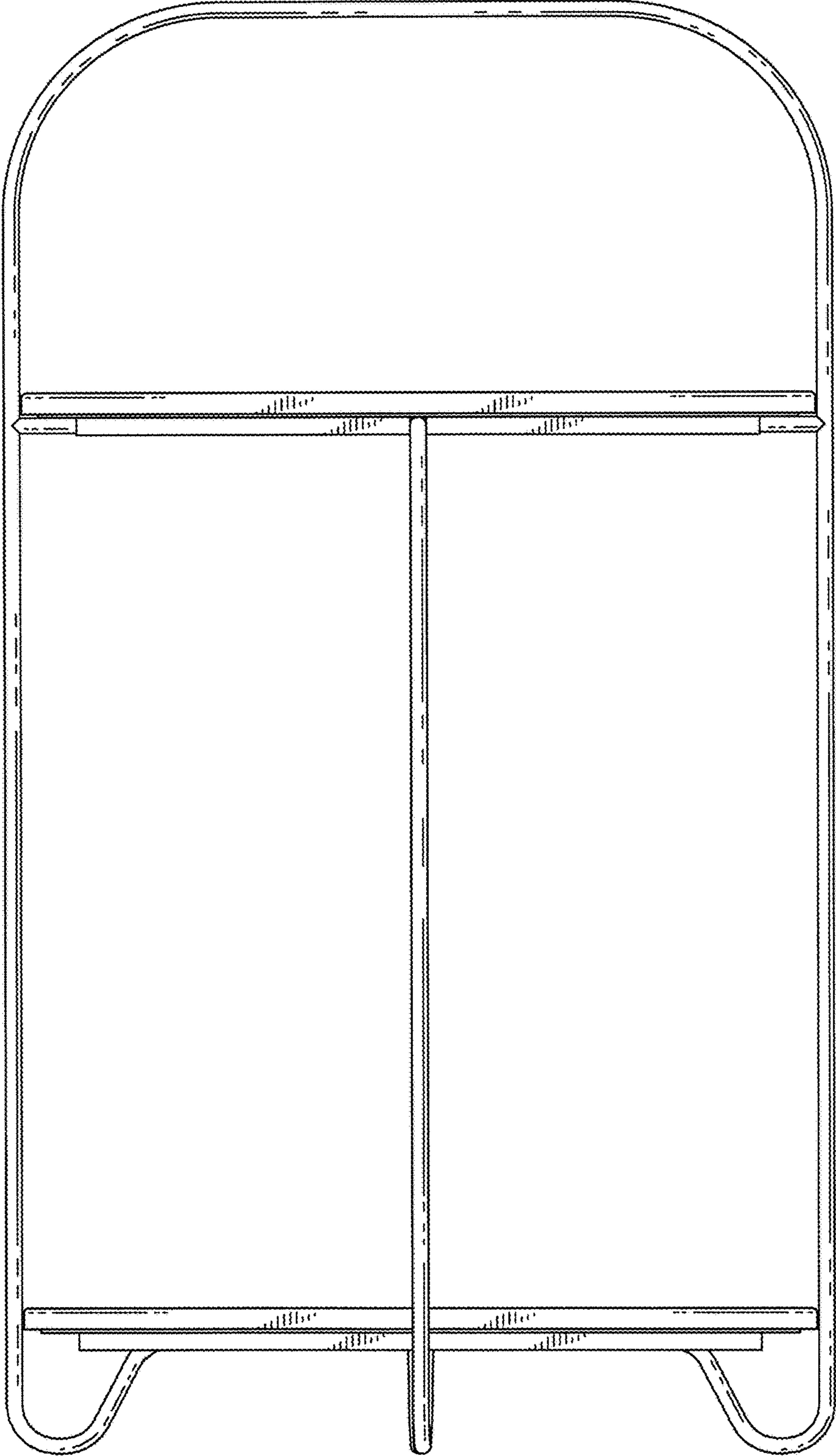


FIG. 3



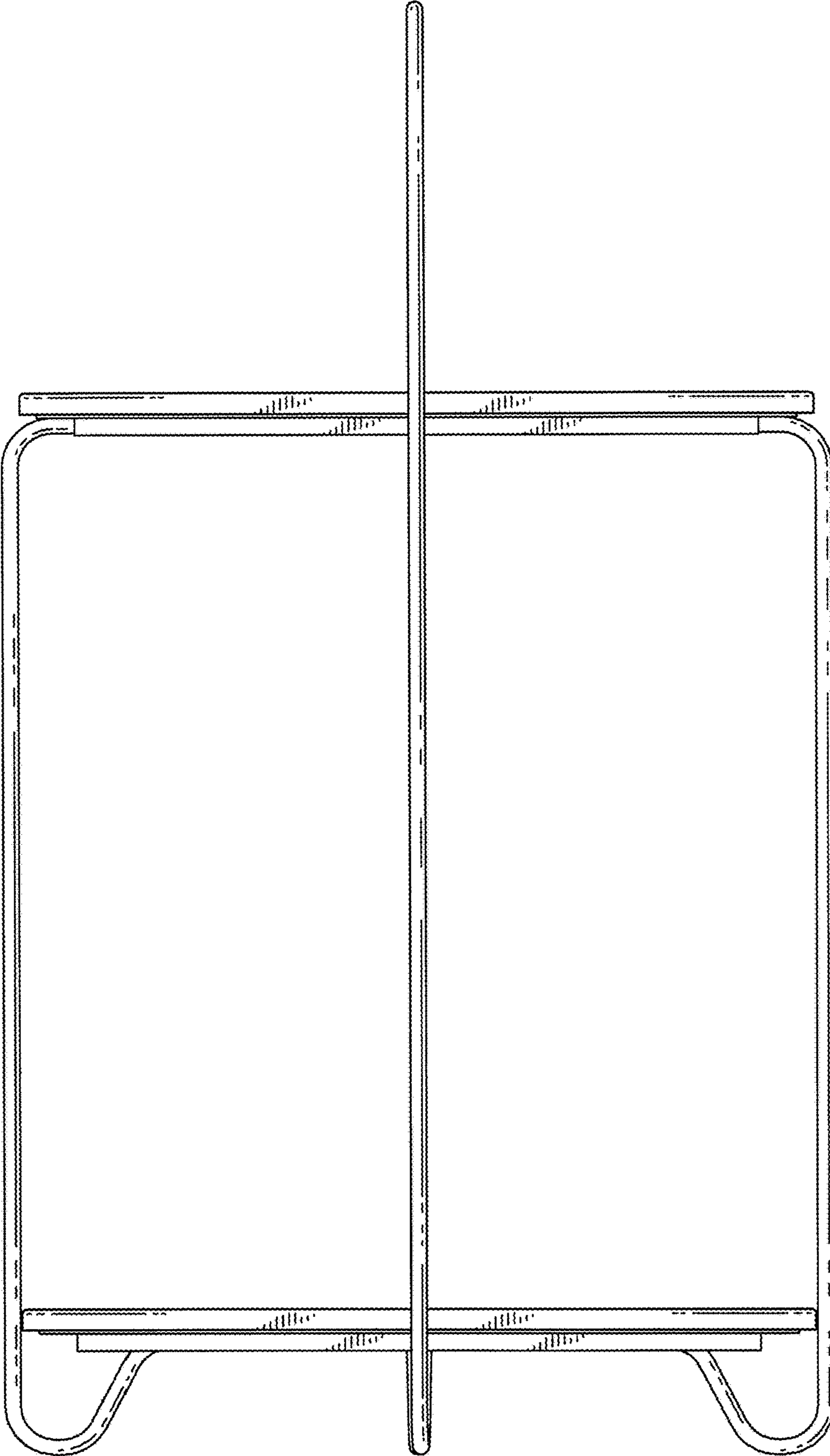


FIG. 4

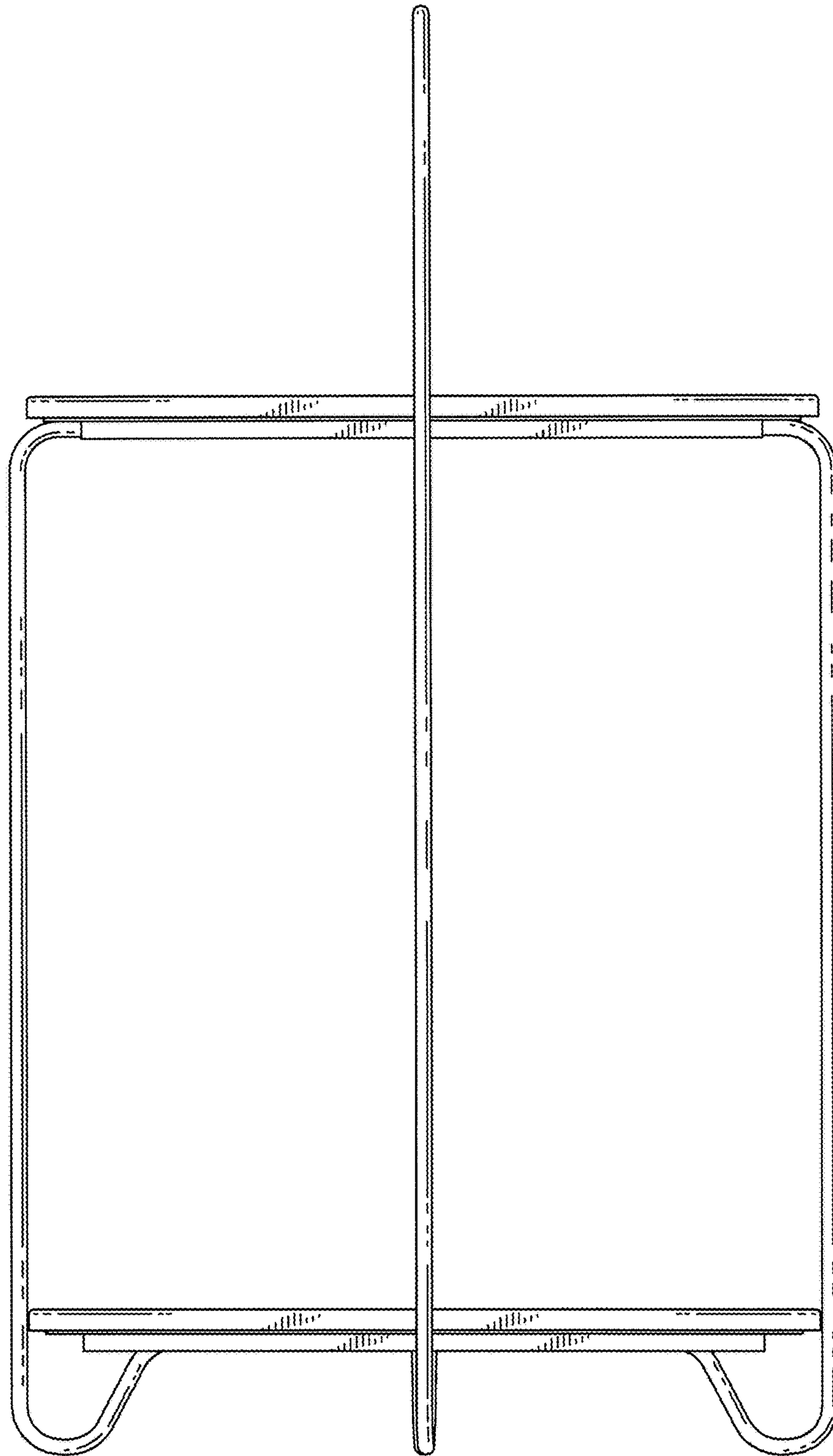


FIG. 5

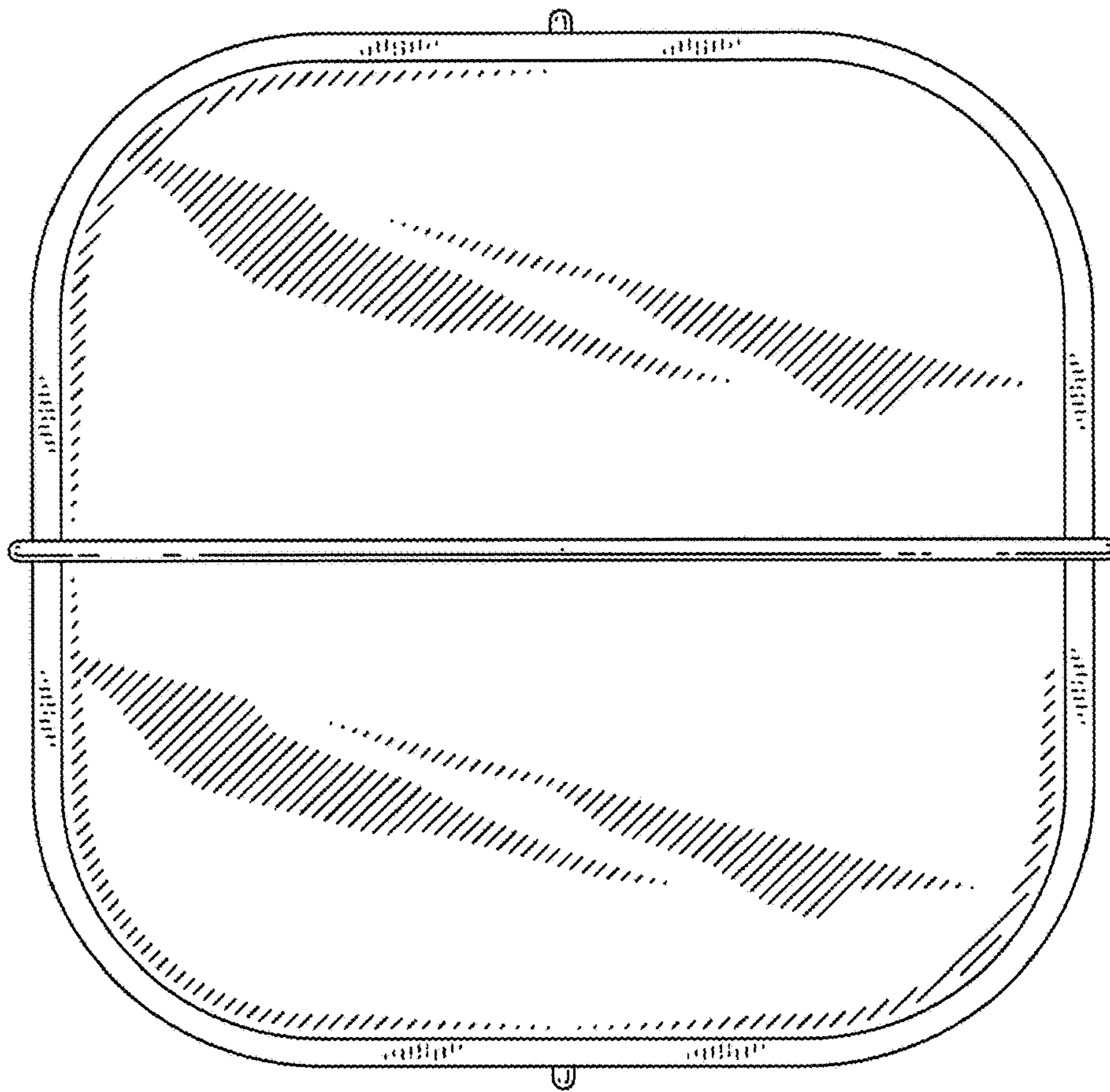


FIG. 6

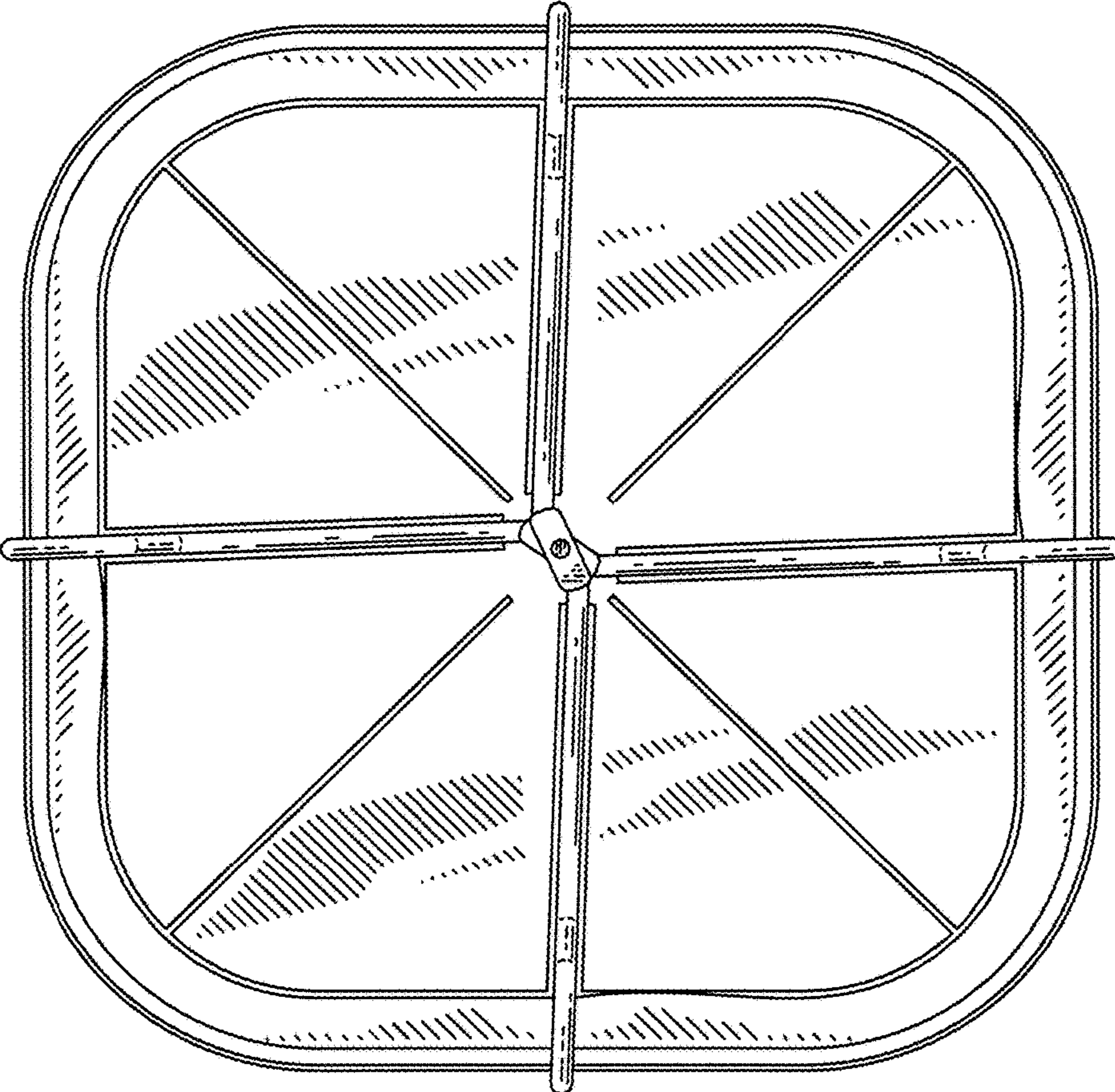


FIG. 7