



US00D853758S

(12) **United States Design Patent**  
**Prontera et al.**

(10) **Patent No.:** **US D853,758 S**  
(45) **Date of Patent:** **\*\* Jul. 16, 2019**

(54) **FURNITURE**

(71) Applicant: **APOTECA NATURA S.P.A.**,  
Sansepolcro (IT)

(72) Inventors: **Elena Prontera**, Milan (IT); **Giovanni Castelli**, Milan (IT); **Massimo Fabbro**, Milan (IT)

(73) Assignee: **APOTECA NATURA S.P.A.**,  
Sansepolcro (IT)

(\*\*) Term: **15 Years**

(21) Appl. No.: **29/626,865**

(22) Filed: **Nov. 21, 2017**

(51) **LOC (11) Cl.** ..... **06-03**

(52) **U.S. Cl.**  
USPC ..... **D6/643.1**

(58) **Field of Classification Search**  
USPC ..... D6/640, 641, 642, 643, 643.1, 644, 648,  
D6/648.1, 648.3, 648.4, 649, 650, 651,  
D6/652, 655, 655.1, 655.11, 656, 668,  
D6/685, 688.11, 688.21, 688.27, 690,  
D6/695, 698, 696.1, 700, 709.22  
CPC .... A47B 9/00; A47B 9/04; A47B 9/06; A47B  
3/08; A47B 21/00; A47B 21/02; A47B  
21/06; A47B 21/007; A47B 21/0314;  
A47B 2009/185; A47B 2200/0013; A47B  
2200/0026; A47B 2200/0085; A47B  
2200/0087

See application file for complete search history.

(56) **References Cited**

**U.S. PATENT DOCUMENTS**

D106,645 S \* 10/1937 Boutin ..... D6/664  
D118,817 S \* 2/1940 Gill ..... 312/140.1

D208,413 S \* 8/1967 Ball ..... D6/332  
D720,160 S \* 12/2014 Lloyd ..... D6/643  
D732,850 S \* 6/2015 Bouroullec ..... D6/643  
D740,040 S \* 10/2015 Bouroullec ..... D6/338  
D740,058 S \* 10/2015 Bouroullec ..... D6/643.1  
9,622,570 B1 \* 4/2017 Holdredge ..... A47B 23/043  
D788,495 S \* 6/2017 Bouroullec ..... D6/643.1  
D791,512 S \* 7/2017 Bouroullec ..... D6/336  
D824,195 S \* 7/2018 Ezure ..... D6/714

\* cited by examiner

*Primary Examiner* — Mary Ann Calabrese

*Assistant Examiner* — Catherine Ho

(74) *Attorney, Agent, or Firm* — Scully, Scott, Murphy & Presser, P.C.

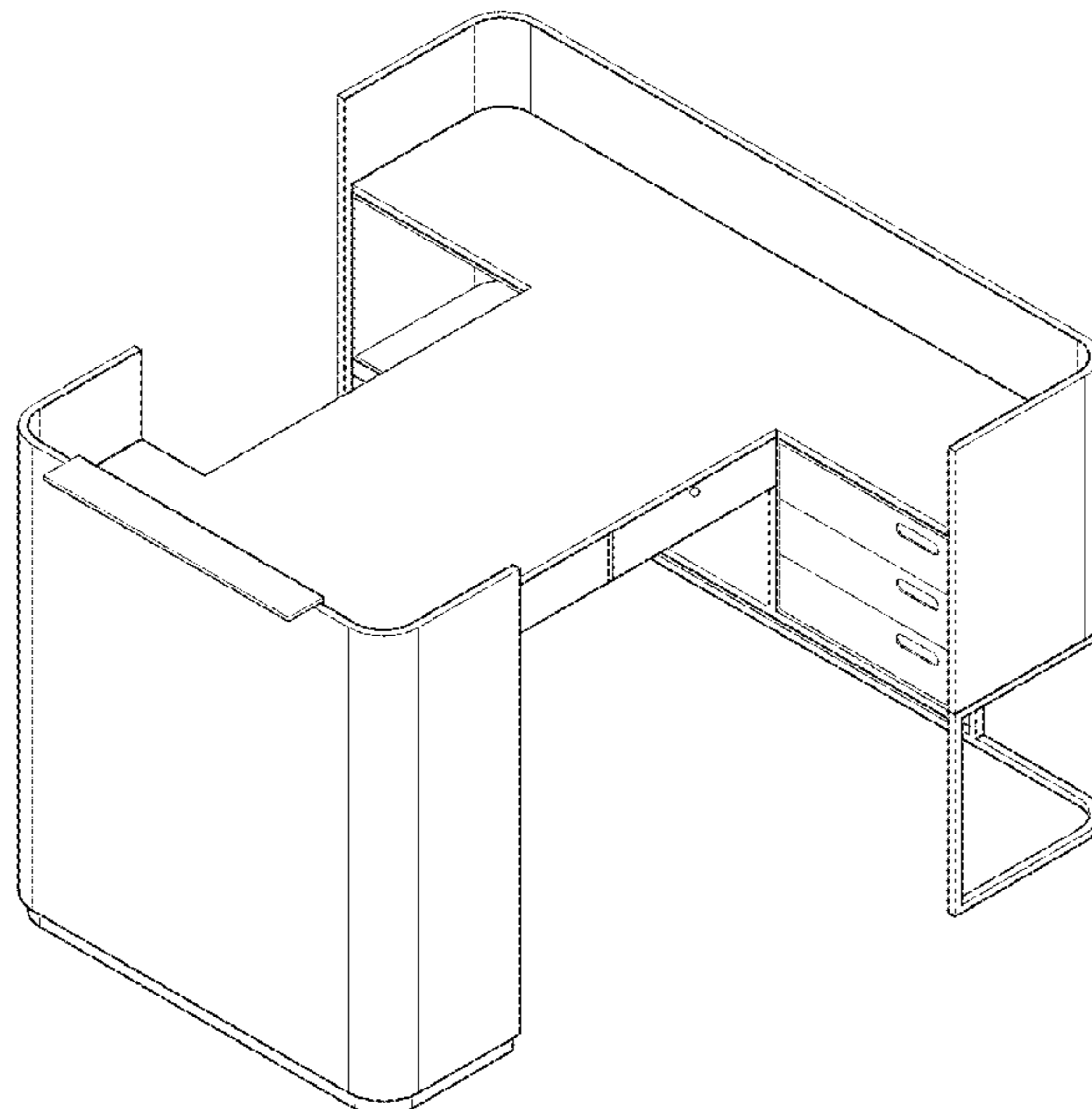
(57) **CLAIM**

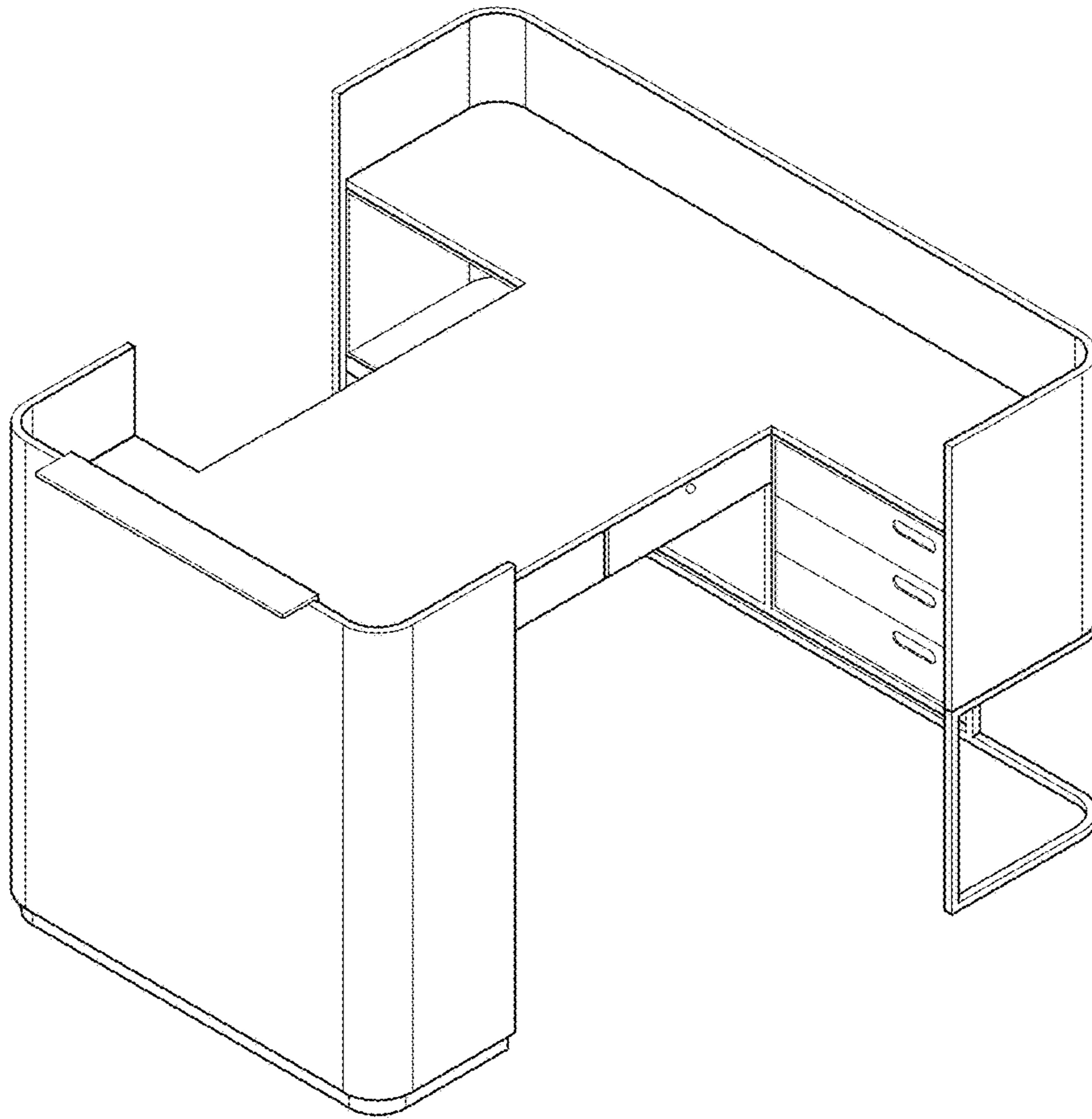
The ornamental design for a furniture, as shown.

**DESCRIPTION**

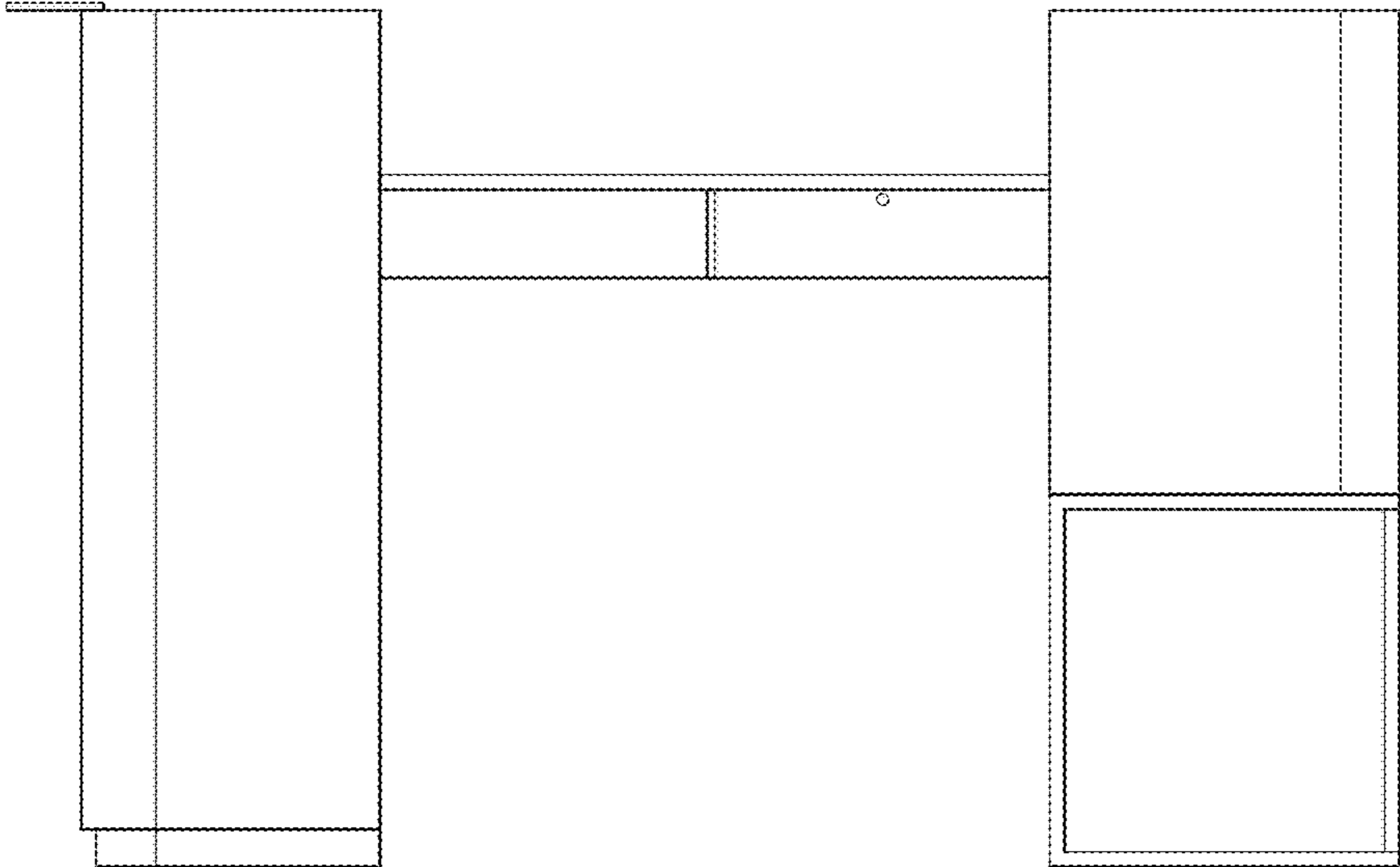
FIG. 1 is a perspective view of a furniture showing our new design;  
FIG. 2 is a front view;  
FIG. 3 is a rear view;  
FIG. 4 is a left side view;  
FIG. 5 is a right side view;  
FIG. 6 is a top view;  
FIG. 7 is a bottom view;  
FIG. 8 is a further perspective view;  
FIG. 9 is a further perspective view; and,  
FIG. 10 is a further perspective view.

**1 Claim, 10 Drawing Sheets**

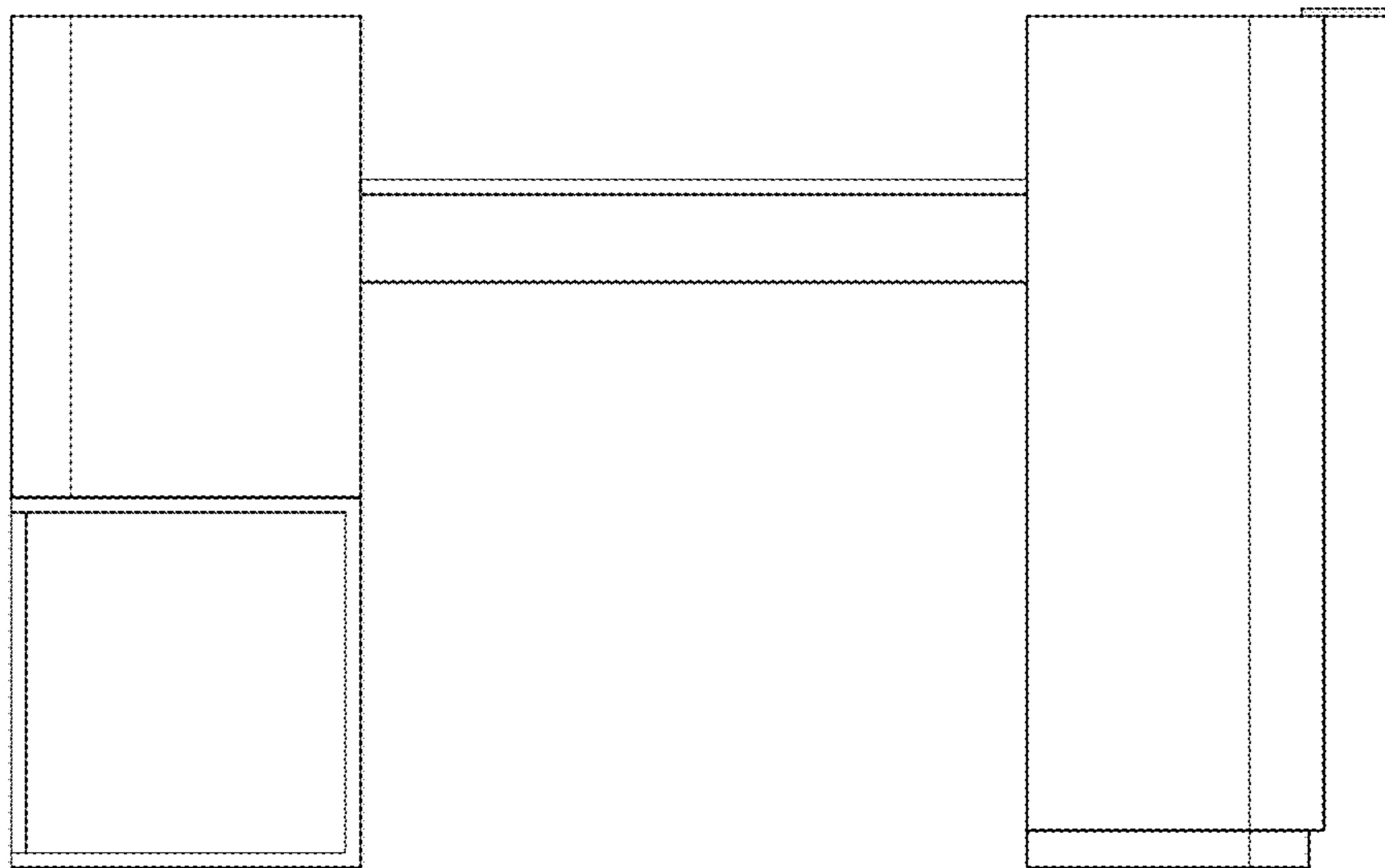




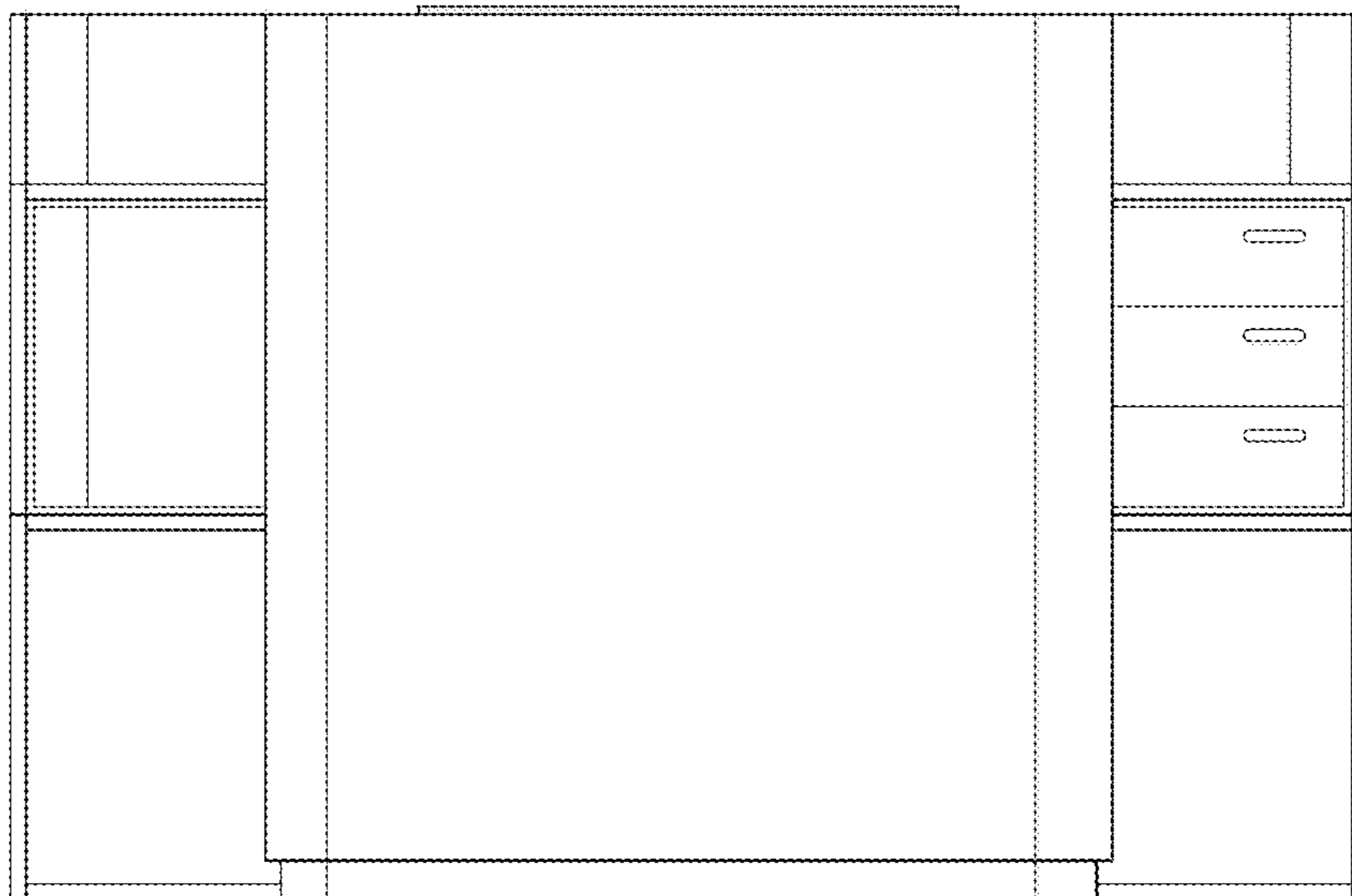
*Fig. 1*



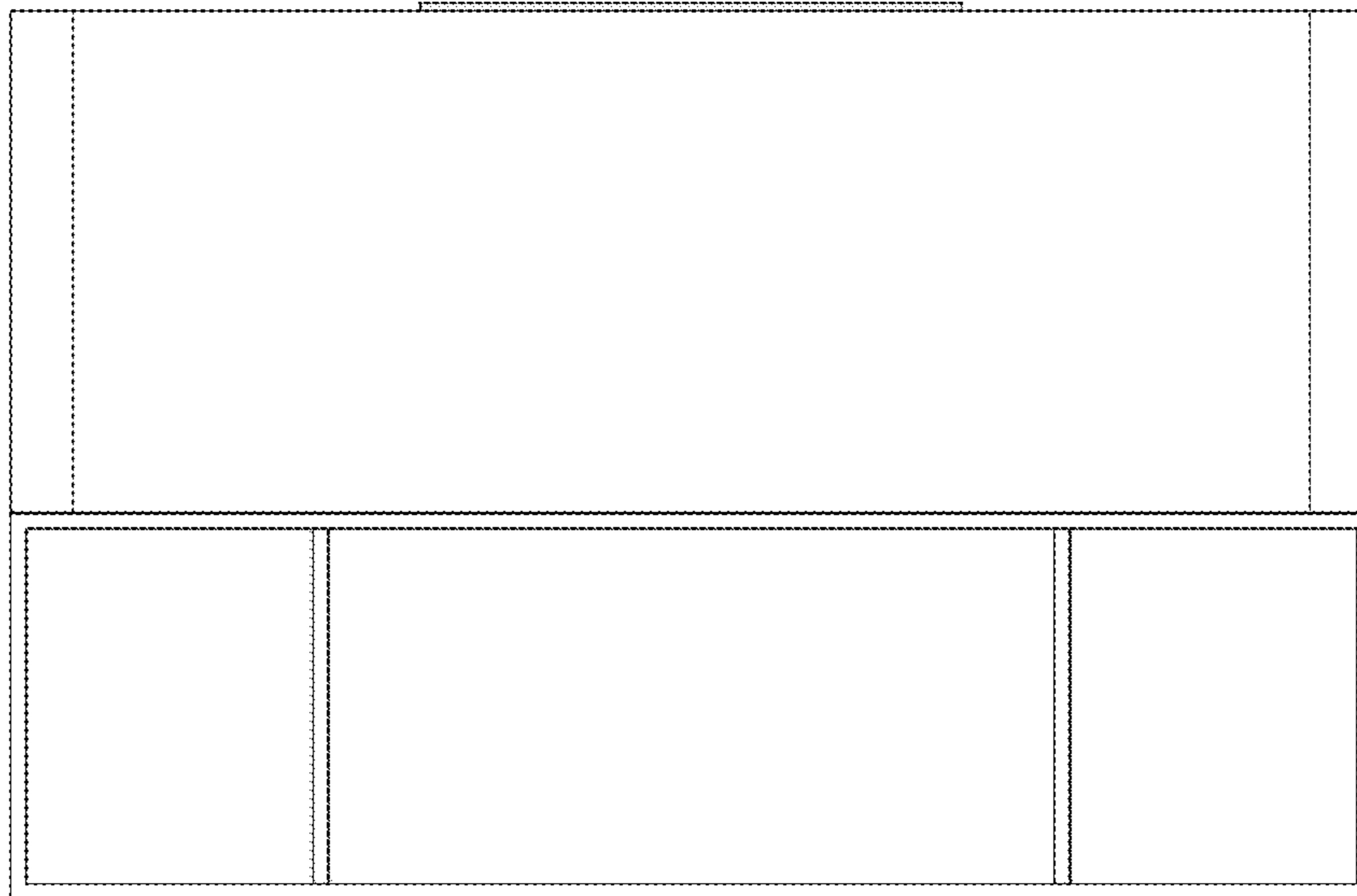
*Fig. 2*



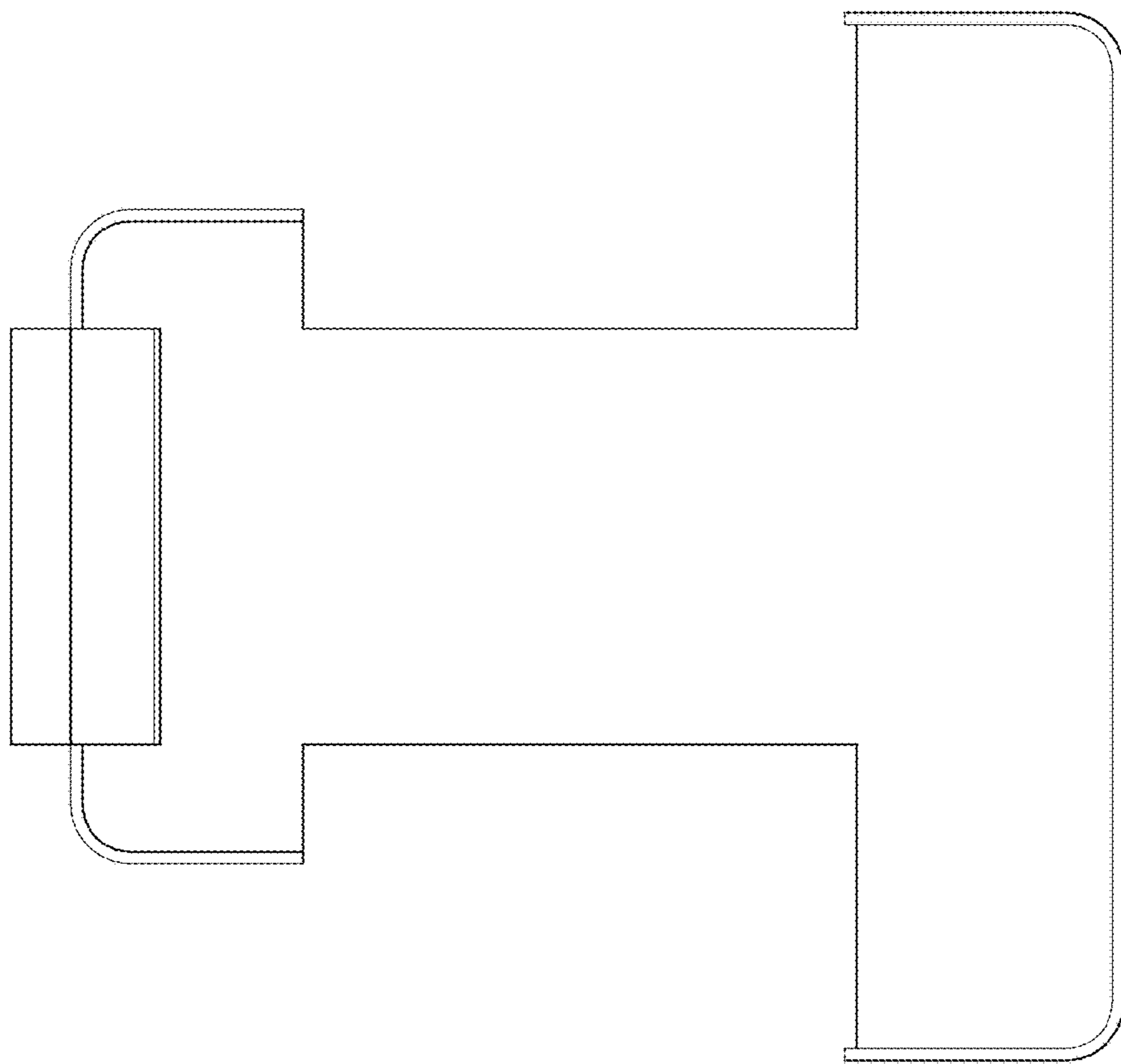
*Fig. 3*



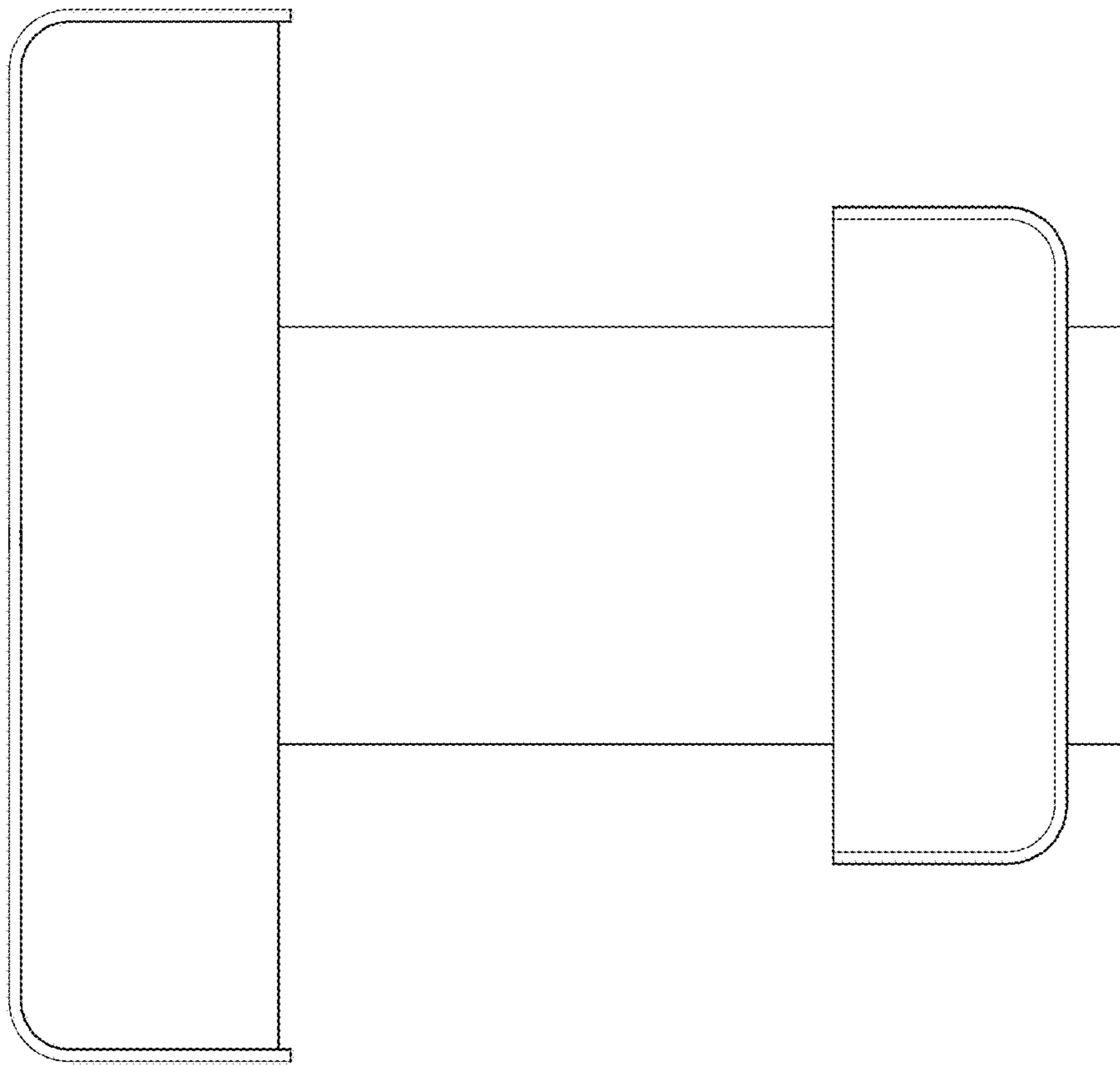
*Fig. 4*



*Fig. 5*

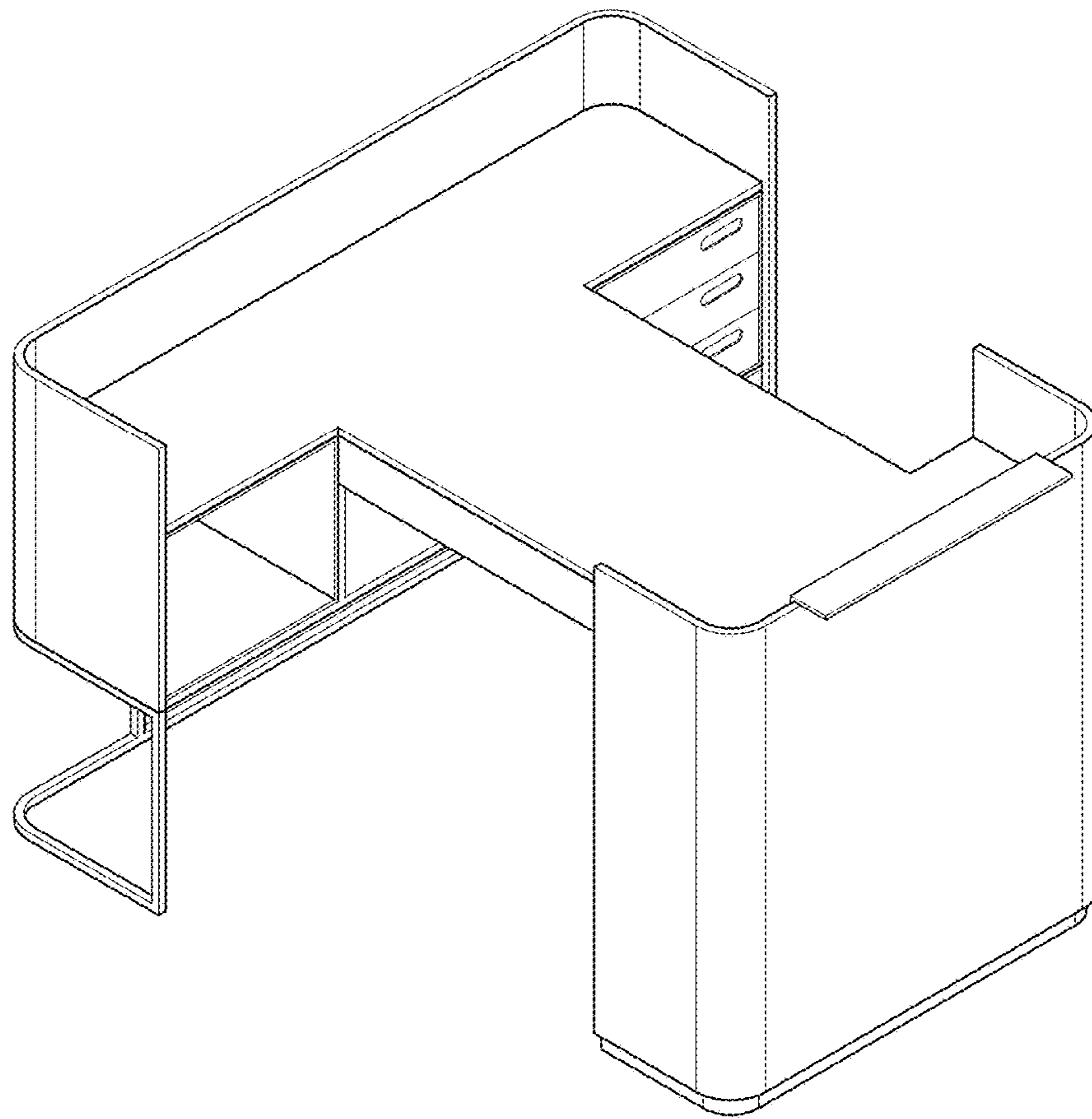


*Fig. 6*

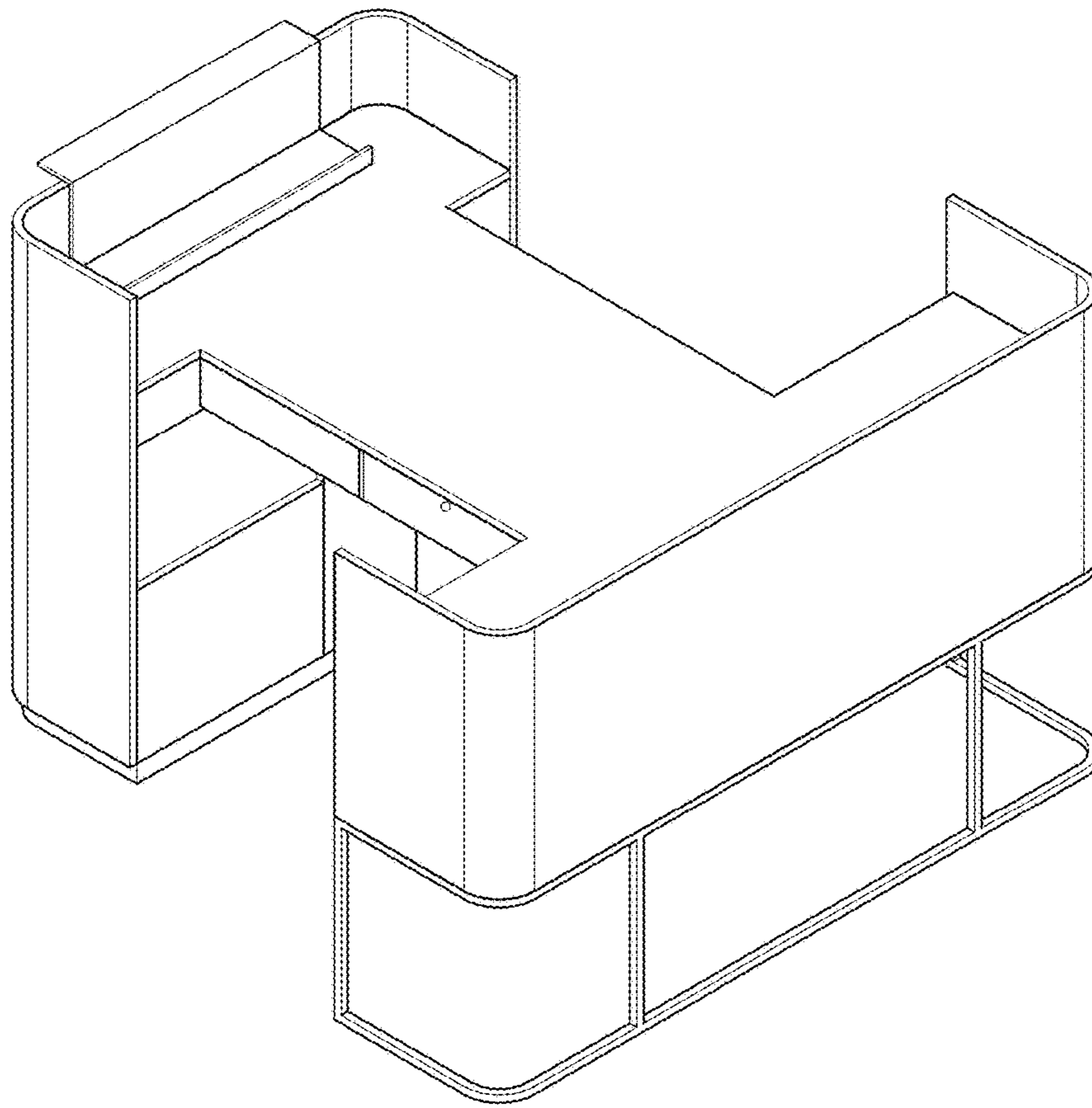


*Fig. 7*

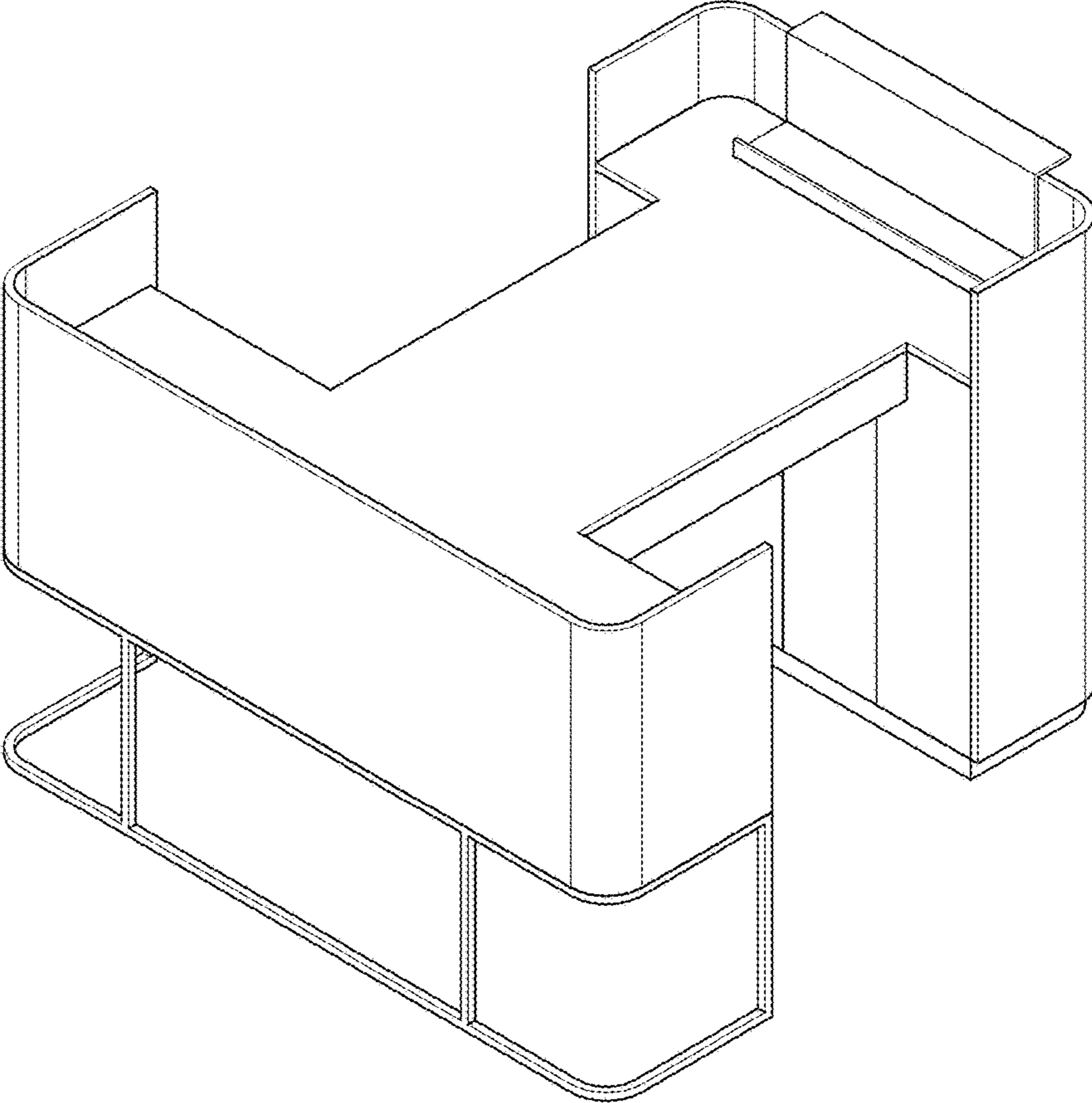




*Fig. 8*



*Fig. 9*



*Fig. 10*