



US00D853752S

(12) **United States Design Patent**
Porter

(10) **Patent No.:** **US D853,752 S**

(45) **Date of Patent:** **** Jul. 16, 2019**

(54) **HOMEOPATHIC PILLOW SHAM**

(71) Applicant: **Selena Porter**, Las Vegas, NV (US)

(72) Inventor: **Selena Porter**, Las Vegas, NV (US)

(**) Term: **15 Years**

(21) Appl. No.: **29/626,882**

(22) Filed: **Nov. 21, 2017**

(51) **LOC (11) Cl.** **06-09**

(52) **U.S. Cl.**
USPC **D6/601**

(58) **Field of Classification Search**
USPC D6/595-597, 582, 601, 603, 604, 606,
D6/716.4

CPC . A47G 9/00; A47G 9/06; A47G 9/062; A47G
9/083; A47G 9/086; A47G 9/10; A47G
9/1027; A47G 9/1054; A47G 9/1063;
A47G 9/1072; A47G 2009/1018; A47C
17/64; A47C 21/026

See application file for complete search history.

(56) **References Cited**

U.S. PATENT DOCUMENTS

D385,743 S * 11/1997 Eldridge D6/595
D590,648 S * 4/2009 Rahimian D6/601

D658,302 S * 4/2012 Nixon D24/190
D776,457 S * 1/2017 Palmer D6/601
D839,637 S * 2/2019 Fernandez D6/601
2013/0117939 A1* 5/2013 Moss A47G 9/10
5/644

* cited by examiner

Primary Examiner — R. Johnson

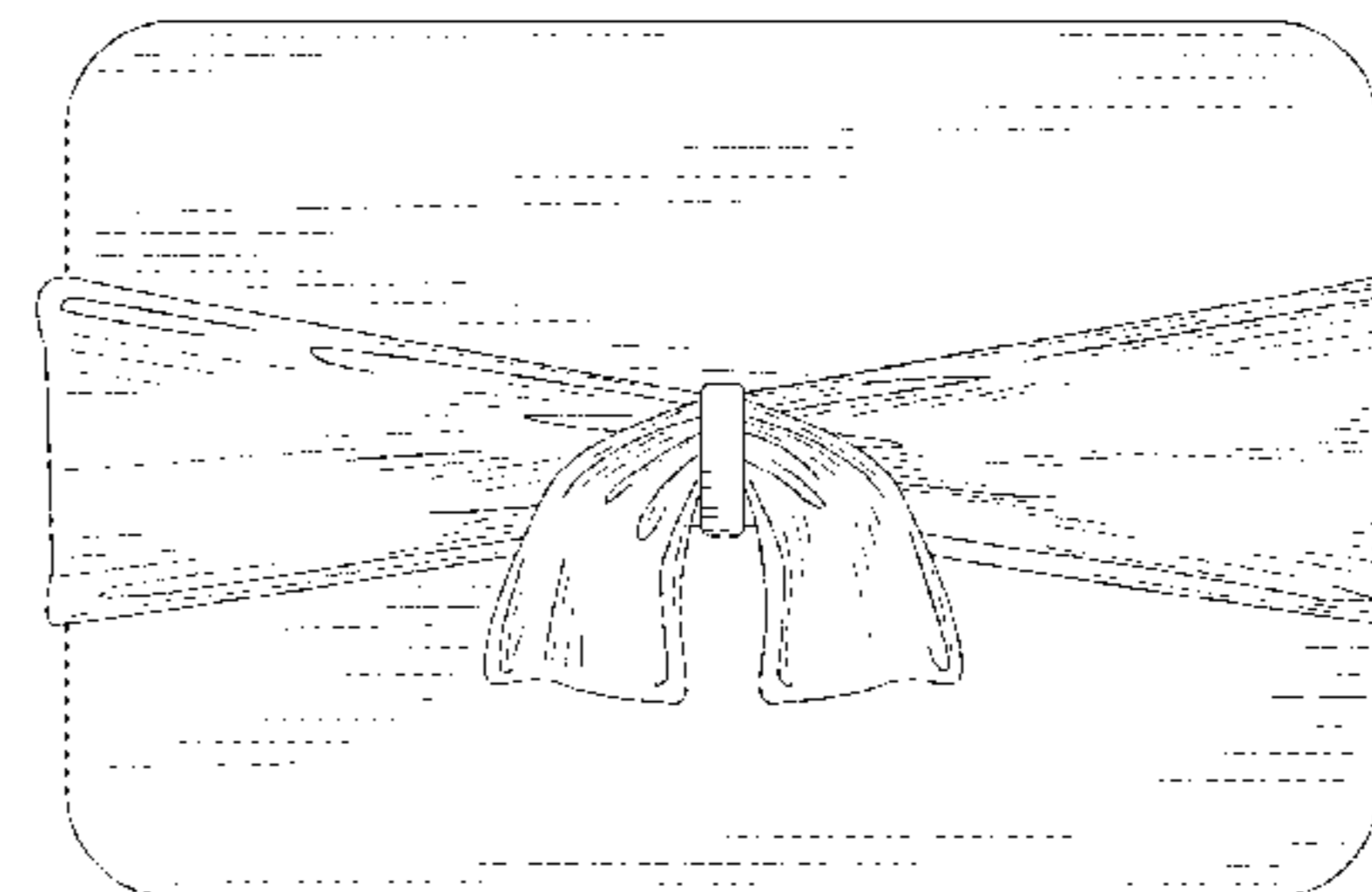
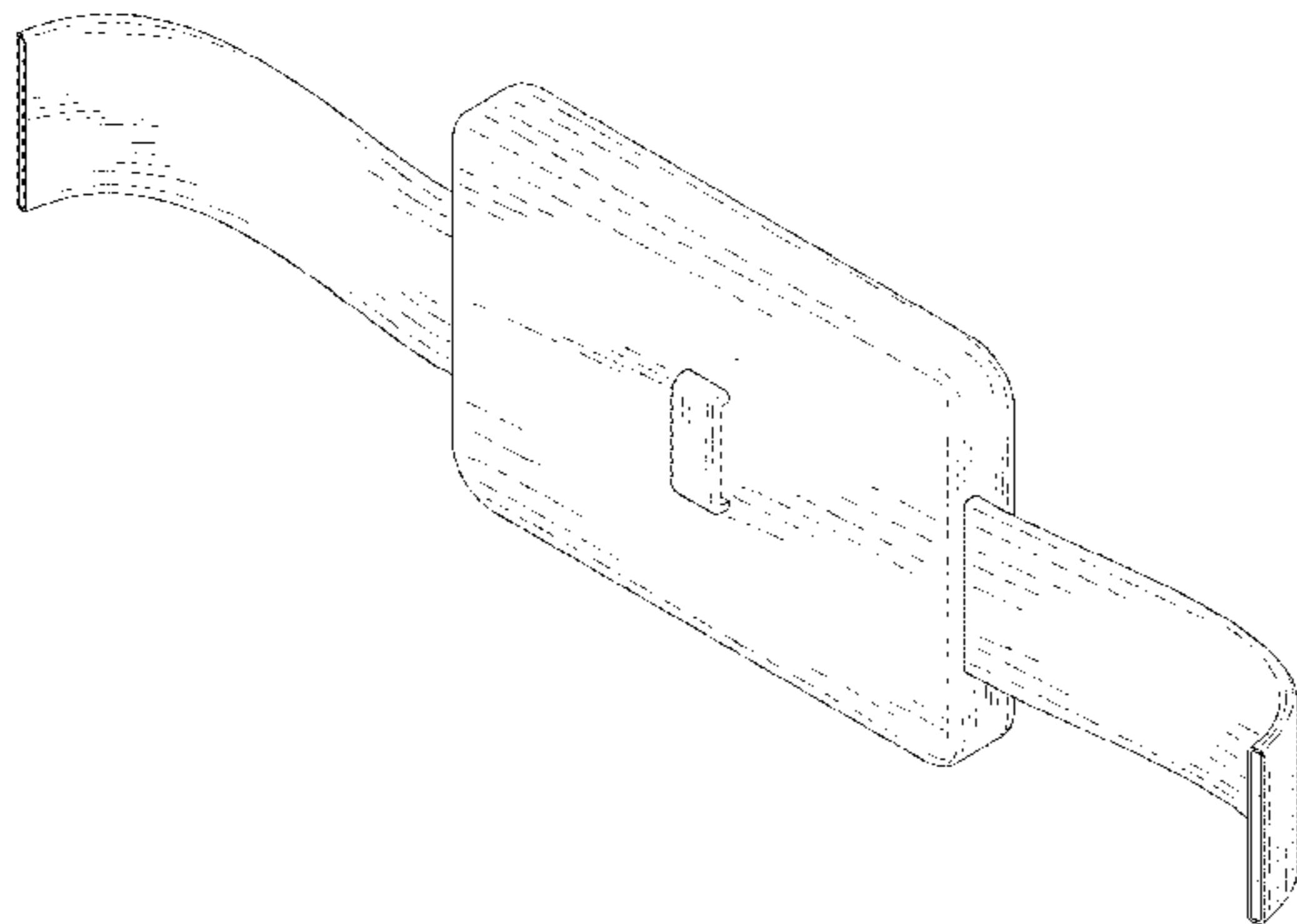
(57) **CLAIM**

The ornamental design for a homeopathic pillow sham, as shown and described.

DESCRIPTION

FIG. 1 is a perspective view of the present invention;
FIG. 2 is a rear perspective view thereof;
FIG. 3 is a front elevational view thereof;
FIG. 4 is a rear elevational view thereof;
FIG. 5 is a left side elevational view thereof;
FIG. 6 is a right side elevational view thereof;
FIG. 7 is a top plan view thereof;
FIG. 8 is a bottom plan view thereof; and,
FIG. 9 is a perspective view thereof, with the flaps wrapped in a bow state.

1 Claim, 9 Drawing Sheets



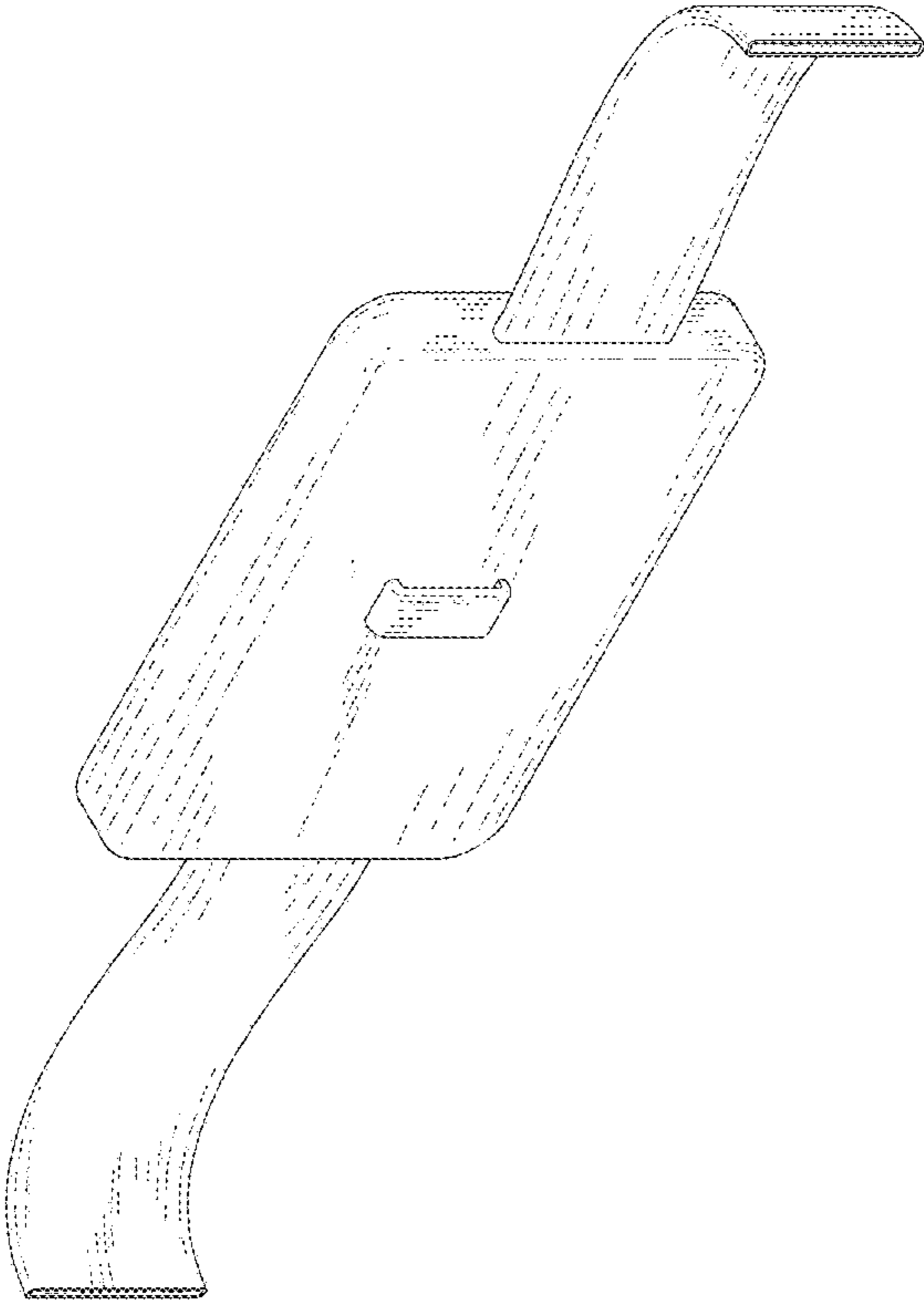


FIG. 1

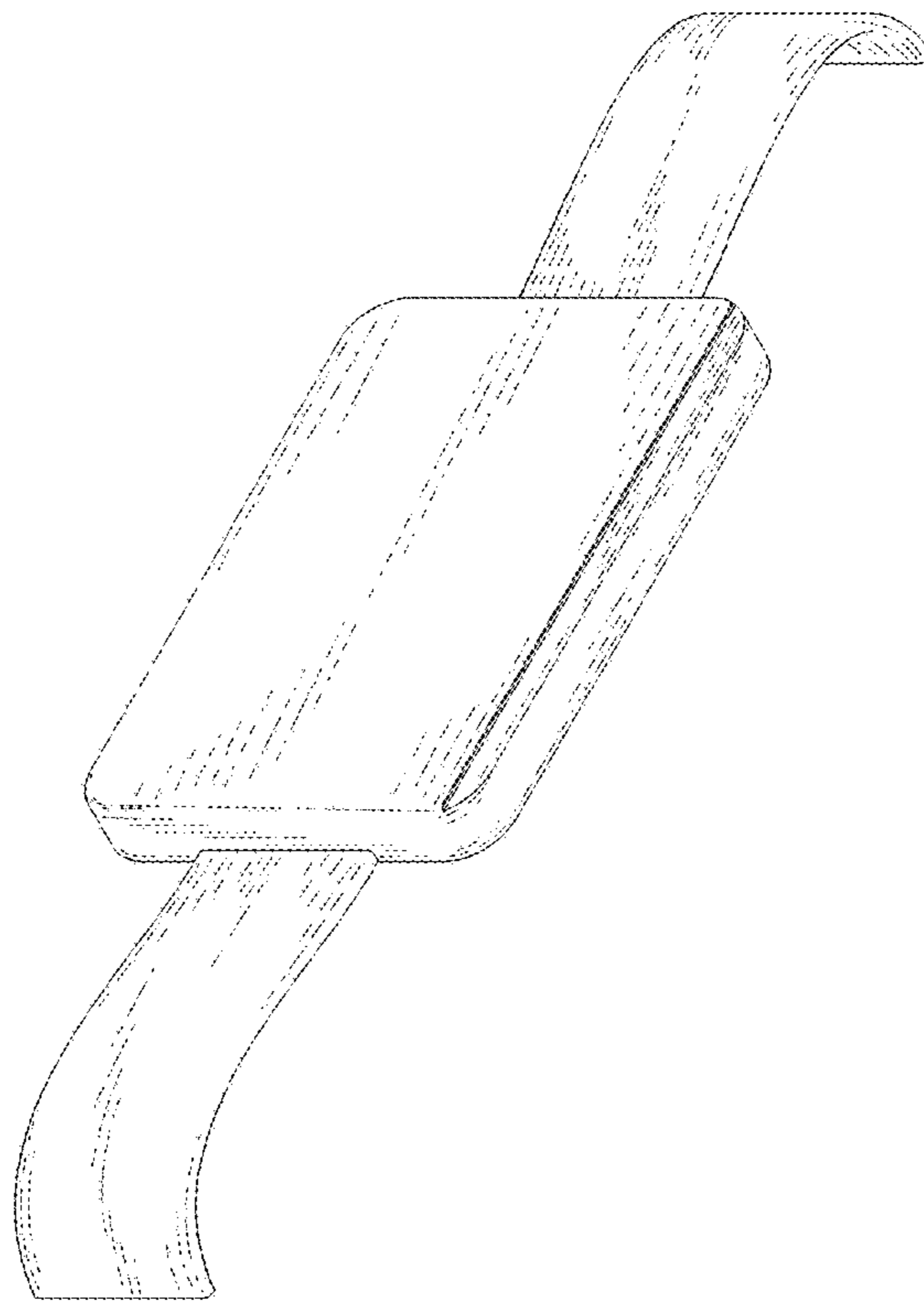


FIG. 2

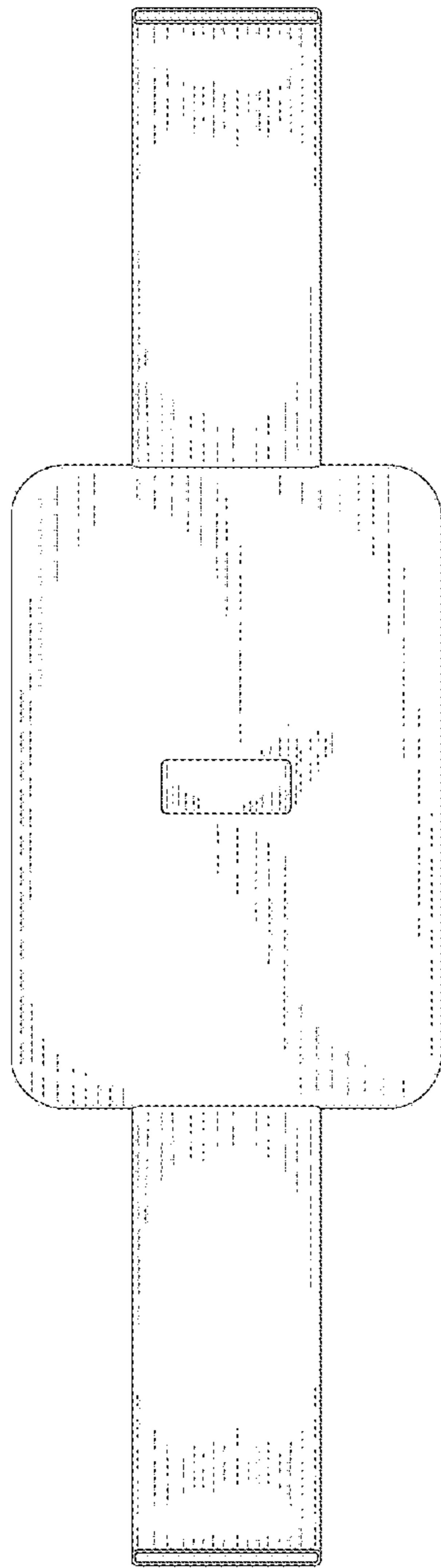


FIG. 3



FIG. 4

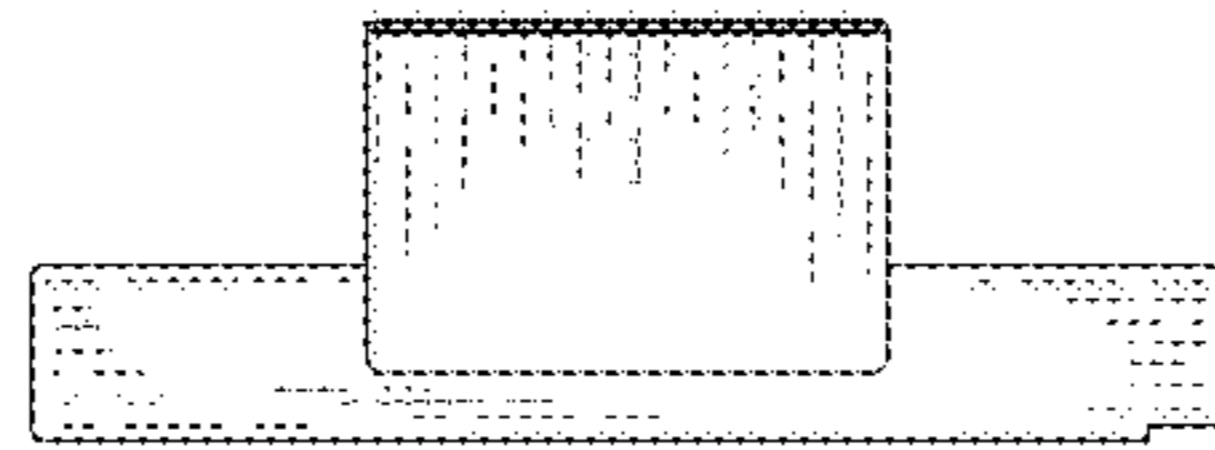


FIG. 5

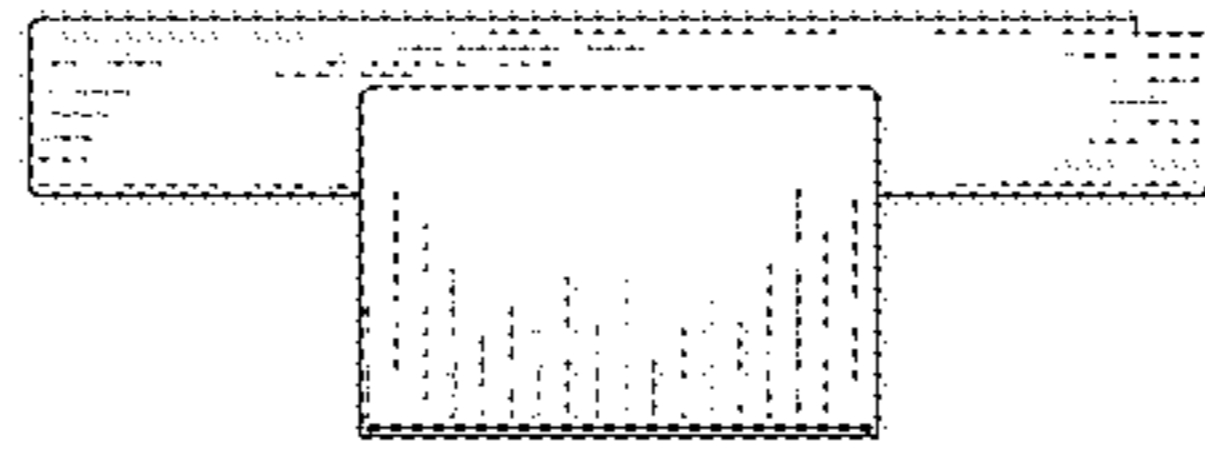


FIG. 6

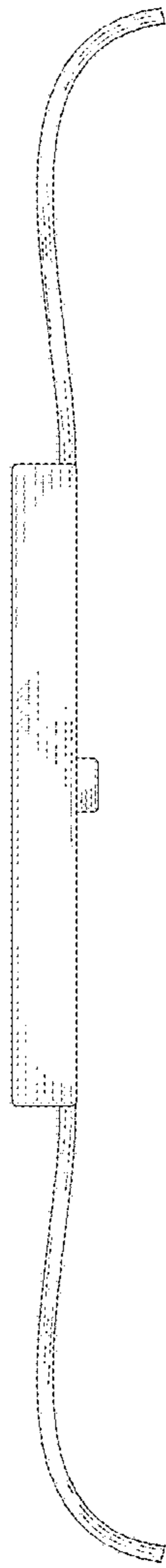


FIG. 7



FIG. 8

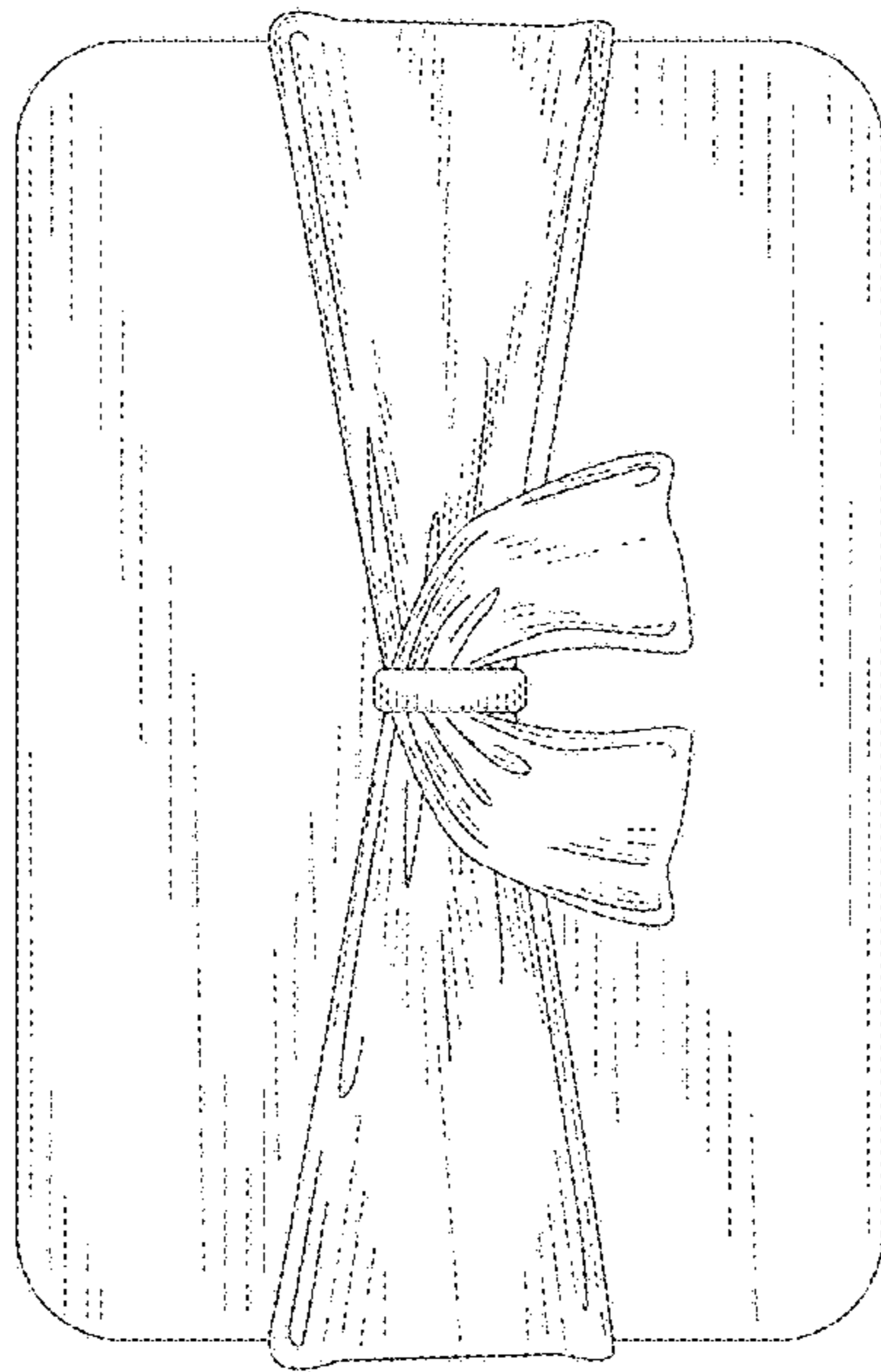


FIG. 9