



US00D853751S

(12) **United States Design Patent**
Pennington et al.

(10) **Patent No.:** **US D853,751 S**

(45) **Date of Patent:** **** Jul. 16, 2019**

(54) **TWO COLOR MATTRESS WITH A
CONTRASTING ZIPPER STRIP**

(71) Applicant: **Diamond Mattress Company, Inc.**,
Compton, CA (US)

(72) Inventors: **Shaun Pennington**, Rossmoor, CA
(US); **Jake Hill**, Irvine, CA (US)

(73) Assignee: **Diamond Mattress Company, Inc.**,
Compton, CA (US)

(**) Term: **15 Years**

(21) Appl. No.: **29/628,299**

(22) Filed: **Dec. 4, 2017**

(51) **LOC (11) Cl.** **06-09**

(52) **U.S. Cl.**
USPC **D6/596**

(58) **Field of Classification Search**
USPC D6/595, 596, 604, 605, 606; 5/413 AM,
5/413 R, 690, 691, 697-703, 706, 716,
5/737, 738, 740
CPC A47C 27/00; A47C 27/001; A47C 27/05;
A47C 27/053; A47C 27/056; A47C
27/06; A47C 27/0002; A47C 27/14; A47C
27/142

See application file for complete search history.

(56) **References Cited**

U.S. PATENT DOCUMENTS

D517,848 S * 3/2006 Contreras D6/596
D667,671 S * 9/2012 Rinehart D6/605
D715,075 S 10/2014 Hughes

D717,078 S 11/2014 Arnold
D794,357 S 8/2017 Ross
D799,858 S * 10/2017 Pearce D6/605
D804,854 S * 12/2017 Bunnell D6/606
D804,856 S * 12/2017 Desodt D6/606
D804,859 S * 12/2017 Desodt D6/606
D810,473 S * 2/2018 Wightman D6/606
D811,127 S * 2/2018 Bell D6/605
D811,777 S * 3/2018 Wightman D6/606
D823,608 S * 7/2018 Stephani D5/56

FOREIGN PATENT DOCUMENTS

CA 2286917 A1 * 2/2000 A47G 9/02

* cited by examiner

Primary Examiner — R. Johnson

(74) *Attorney, Agent, or Firm* — Woodard, Emhardt,
Henry, Reeves & Wagner, LLP

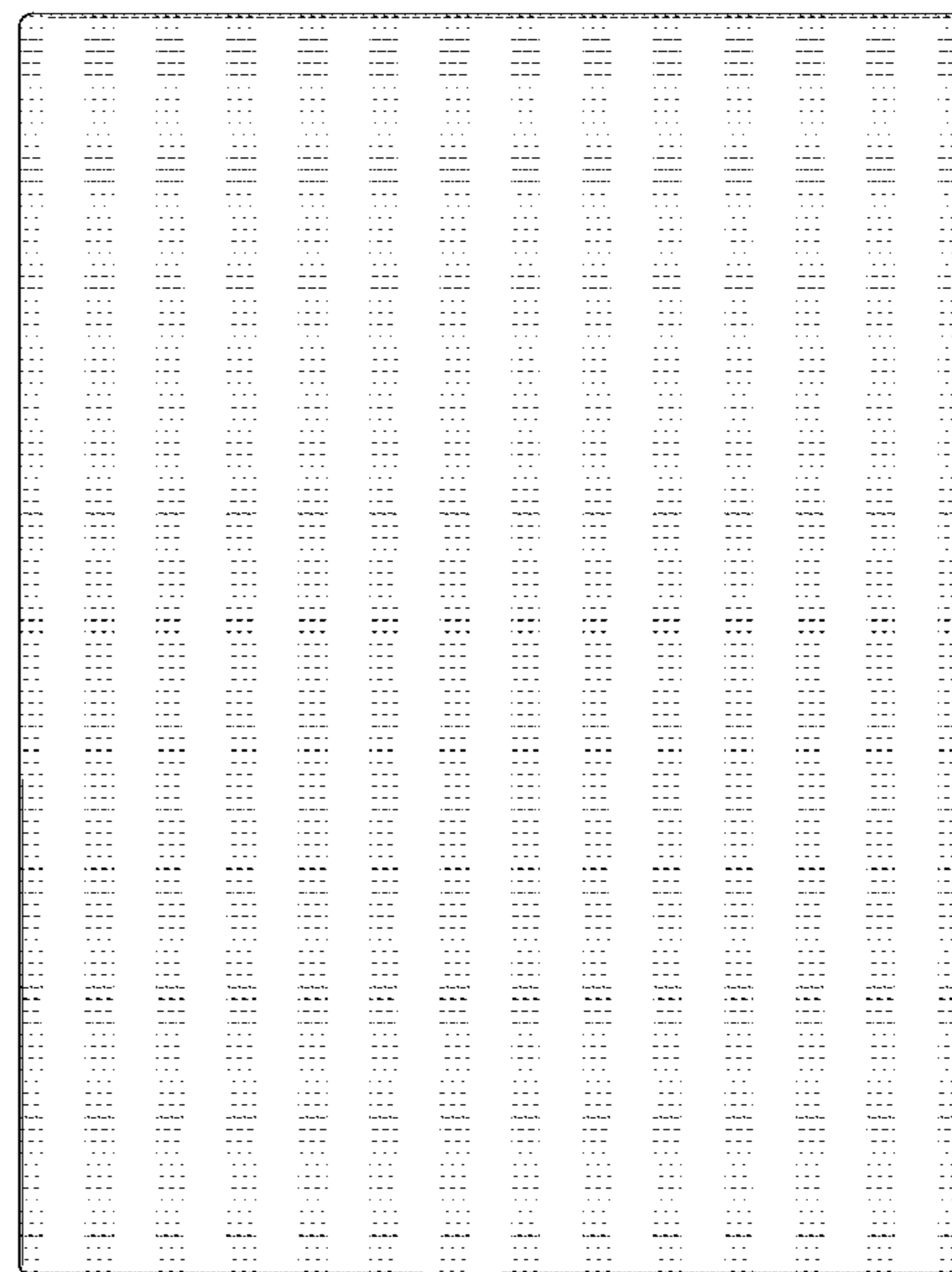
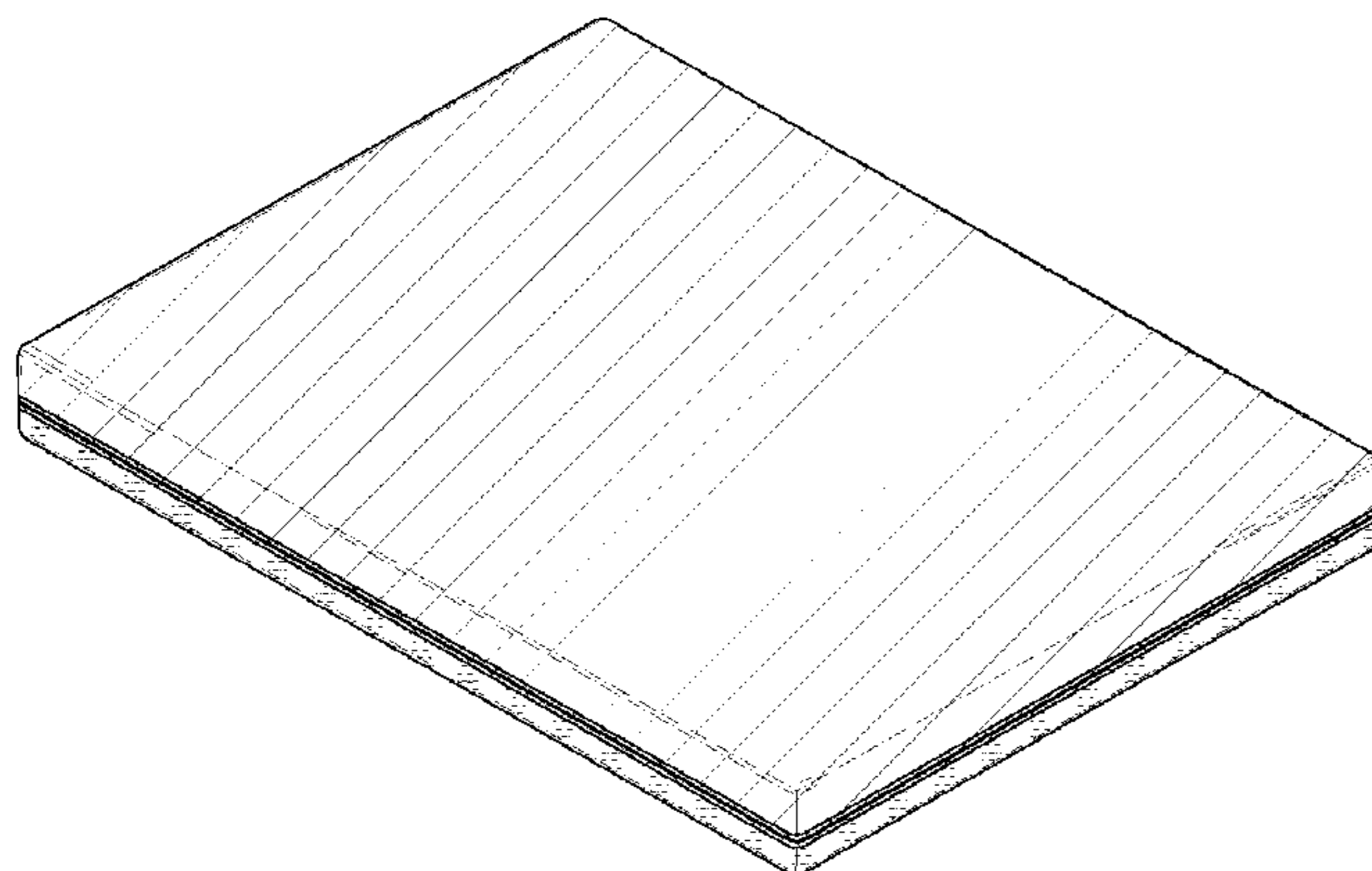
(57) **CLAIM**

The ornamental design for a two color mattress with a
contrasting zipper strip, as shown and described.

DESCRIPTION

FIG. 1 is a perspective view of a two color mattress with a
contrasting zipper strip showing our new design.
FIG. 2 is a left side view of the FIG. 1 mattress.
FIG. 3 is a right side view of the FIG. 1 mattress.
FIG. 4 is a front view of the FIG. 1 mattress.
FIG. 5 is a rear view of the FIG. 1 mattress.
FIG. 6 is a top view of the FIG. 1 mattress; and,
FIG. 7 is a bottom view of the FIG. 1 mattress.
The line shading patterns in FIGS. 1-7 are indicative of areas
having different contrast and appearance between the top,
middle, and bottom layers.

1 Claim, 3 Drawing Sheets



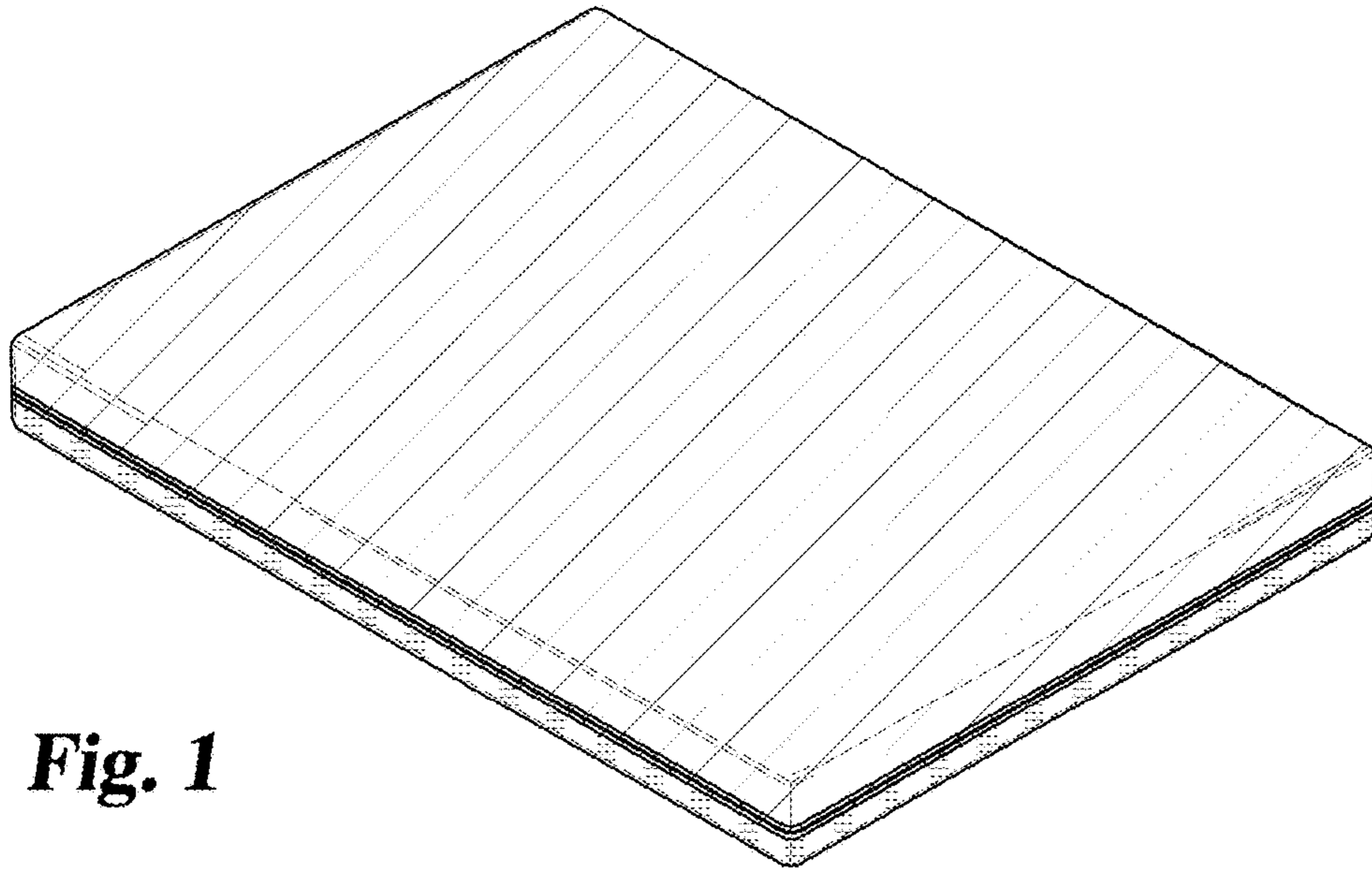


Fig. 1

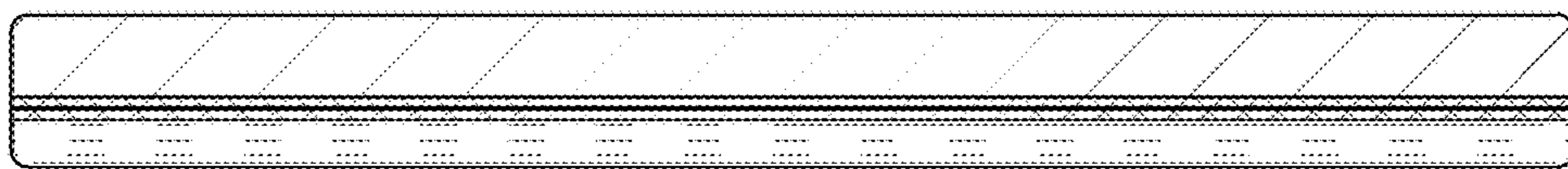


Fig. 2

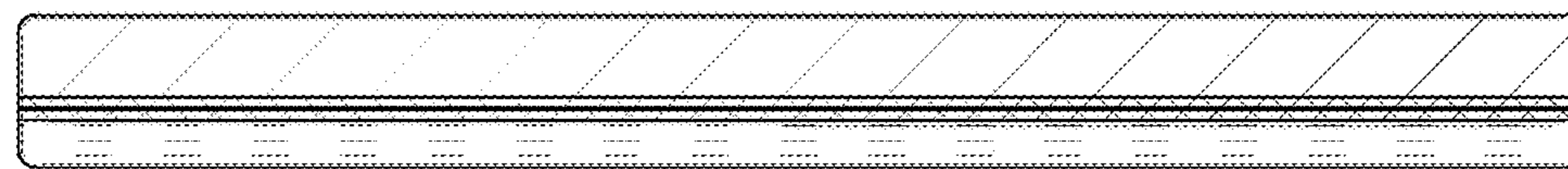


Fig. 3

Fig. 4

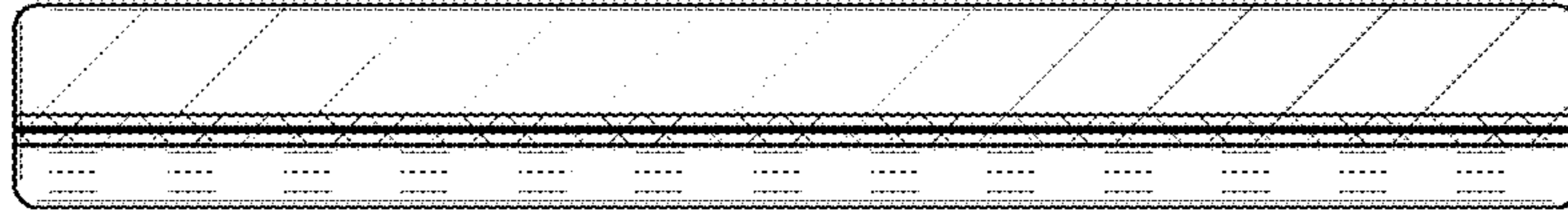


Fig. 5

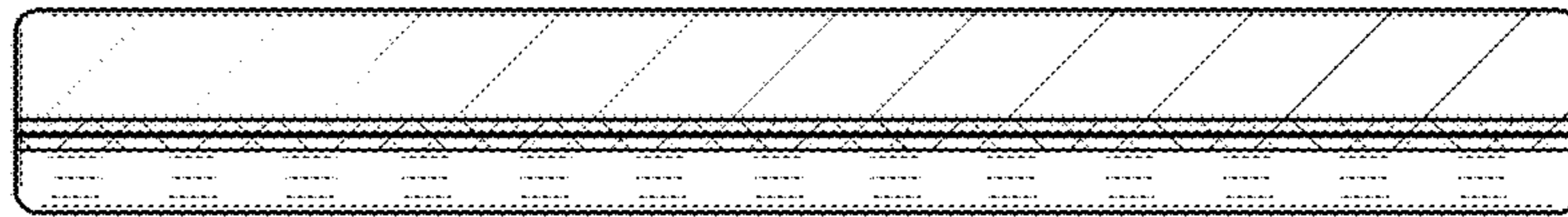
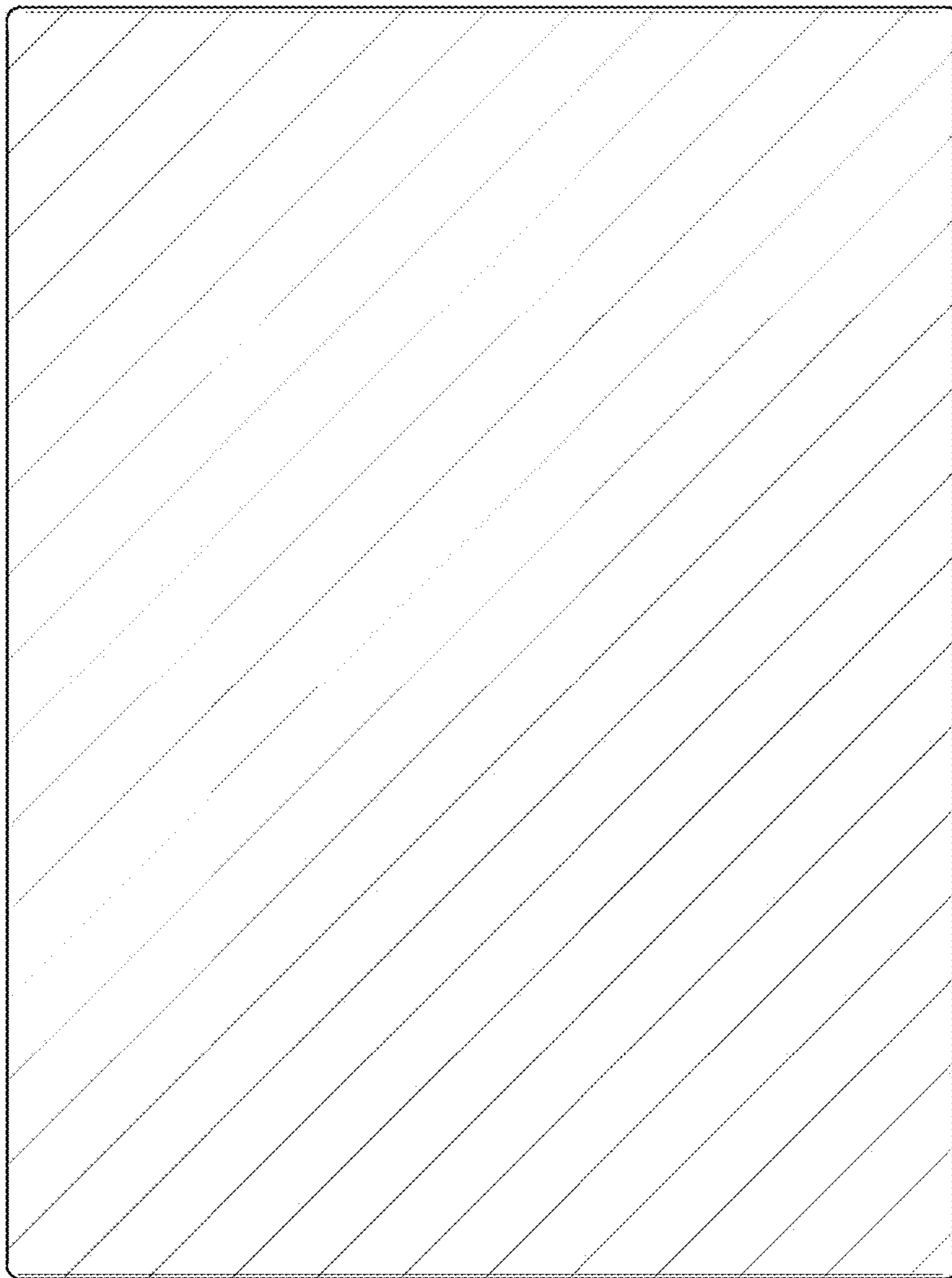


Fig. 6



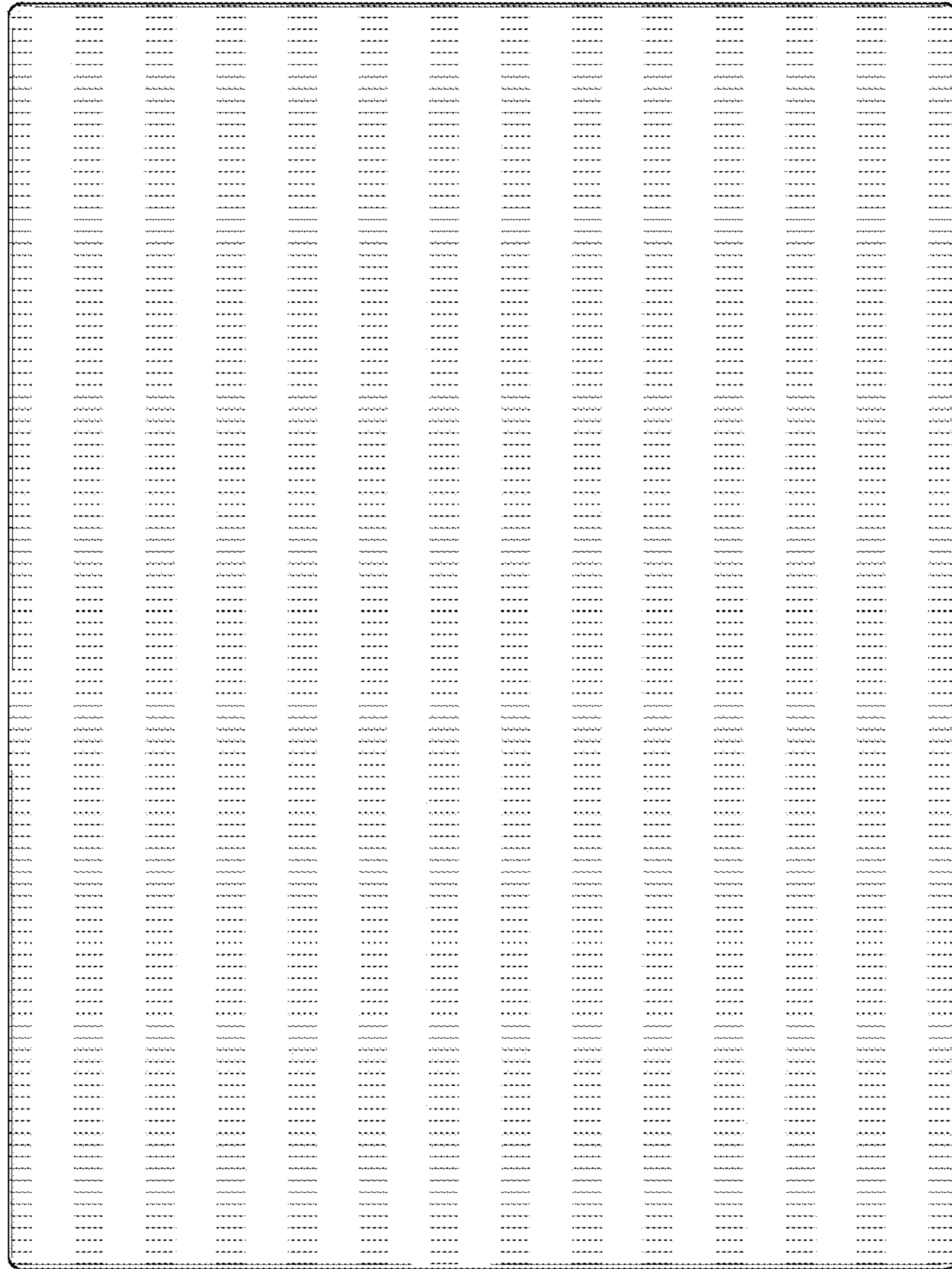


Fig. 7