



US00D853750S

(12) **United States Design Patent** (10) **Patent No.:** **US D853,750 S**
Theisen (45) **Date of Patent:** **** Jul. 16, 2019**

(54) **LAVATORY SHELF**

(71) Applicant: **JAZZZ Holdings LLC**, Golden, CO (US)

(72) Inventor: **Jeff Theisen**, Golden, CO (US)

(73) Assignee: **JAZZZ Holdings LLC**, Golden, CO (US)

(**) Term: **15 Years**

(21) Appl. No.: **29/624,135**

(22) Filed: **Oct. 30, 2017**

Related U.S. Application Data

(63) Continuation of application No. 14/312,576, filed on Jun. 23, 2014, now abandoned.

(51) **LOC (11) Cl.** **06-04**

(52) **U.S. Cl.**
USPC **D6/574**

(58) **Field of Classification Search**
USPC ... D6/522, 574, 672-675, 675.1, 678.2, 702, D6/703.1, 705, 705.1, 705.2, 707, 707.19, D6/707.22, 707.23; D13/179; 108/50.11, 108/61, 132; D14/457; 312/350, 258; 248/95; D21/369
CPC A47B 47/00; A47B 47/021; A47B 47/022; A47B 47/04; A47B 47/03; A47B 55/00; A47B 57/045; A47B 57/26; A47B 96/02; A47B 96/027; A47B 96/028; A47B 96/04; A47B 96/16; A47F 5/00; A47F 5/0043; A47F 7/00; A47F 7/007; G09F 13/22; A47K 17/02; E03D 13/005; Y10T 29/49432

See application file for complete search history.

(56) **References Cited**

U.S. PATENT DOCUMENTS

D164,437 S *	9/1951	Marquis	D6/705
D225,936 S *	1/1973	Propst	D6/705
D371,021 S *	6/1996	Pine	D6/407
D458,092 S *	6/2002	Rumpf	D6/574
6,412,745 B1 *	7/2002	Yokoyama	A47B 95/00 248/247
D494,399 S *	8/2004	Rodriguez	D6/567
D641,189 S *	7/2011	Klotz	D6/705
D727,655 S *	4/2015	Lim	D6/553
D728,286 S *	5/2015	Leinberger	D6/705
2002/0145074 A1 *	10/2002	Eckhard	A47K 10/40 242/596.4
2008/0042004 A1 *	2/2008	Byrd	A47K 10/3836 242/560.3
2010/0258693 A1 *	10/2010	Toshima	A47B 96/06 248/250
2017/0156493 A1 *	6/2017	Trujillo	A47B 46/00

* cited by examiner

Primary Examiner — David G Muller

Assistant Examiner — Nathan M Johnston

(74) *Attorney, Agent, or Firm* — Neugeboren O'Dowd PC

(57) **CLAIM**

The ornamental design for a lavatory shelf, as shown and described.

DESCRIPTION

FIG. 1 is a front perspective view of a design for a lavatory shelf showing my new design.

FIG. 2 is a front elevation view thereof.

FIG. 3 is a rear elevation view thereof.

FIG. 4 is a left side elevation view thereof.

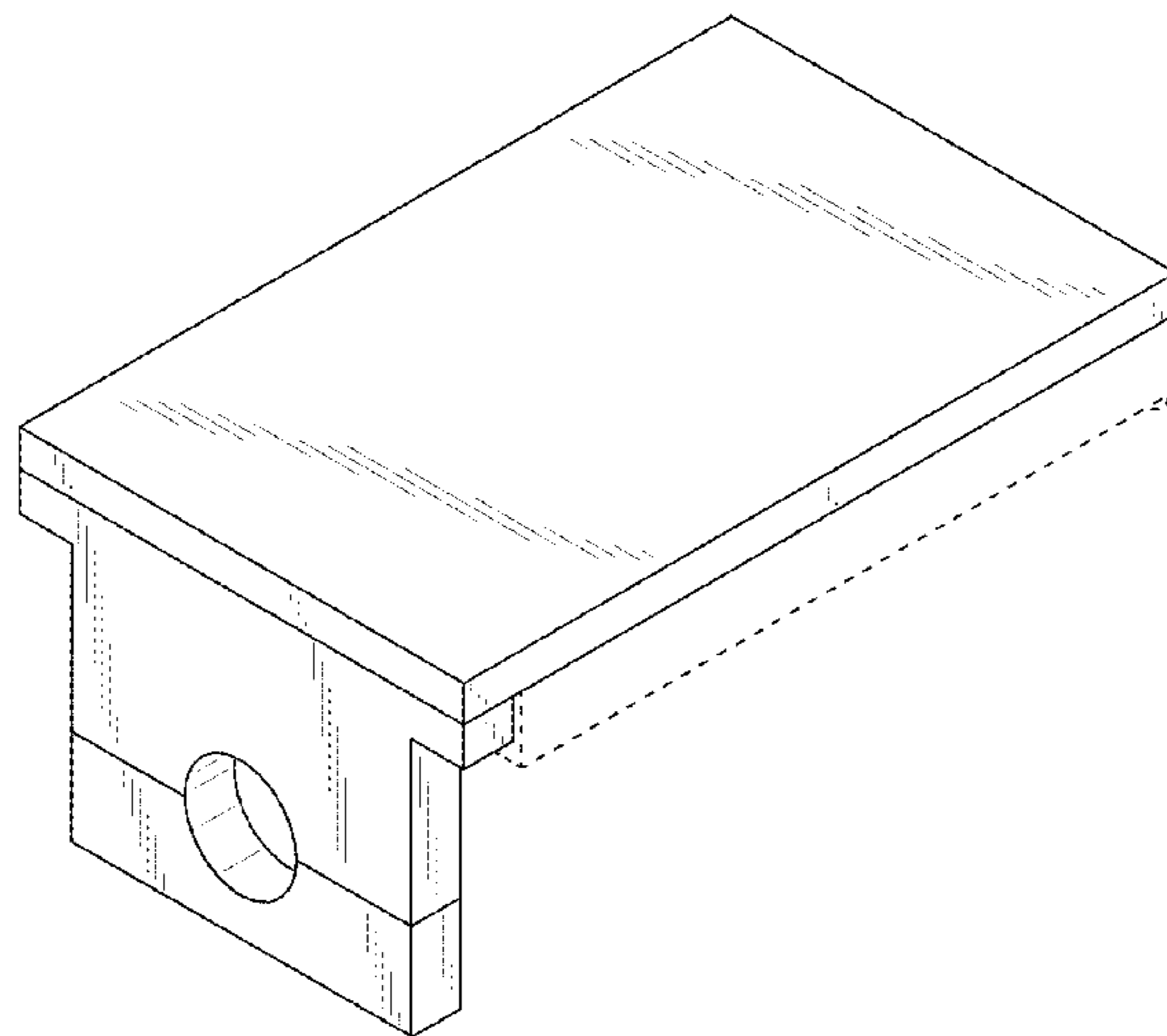
FIG. 5 is a right side elevation view thereof.

FIG. 6 is a top plan view thereof; and,

FIG. 7 is a bottom plan view thereof.

The broken line showing of parts of the drawings is included for the purpose of illustrating use and environment and forms no part of the claimed design.

1 Claim, 7 Drawing Sheets



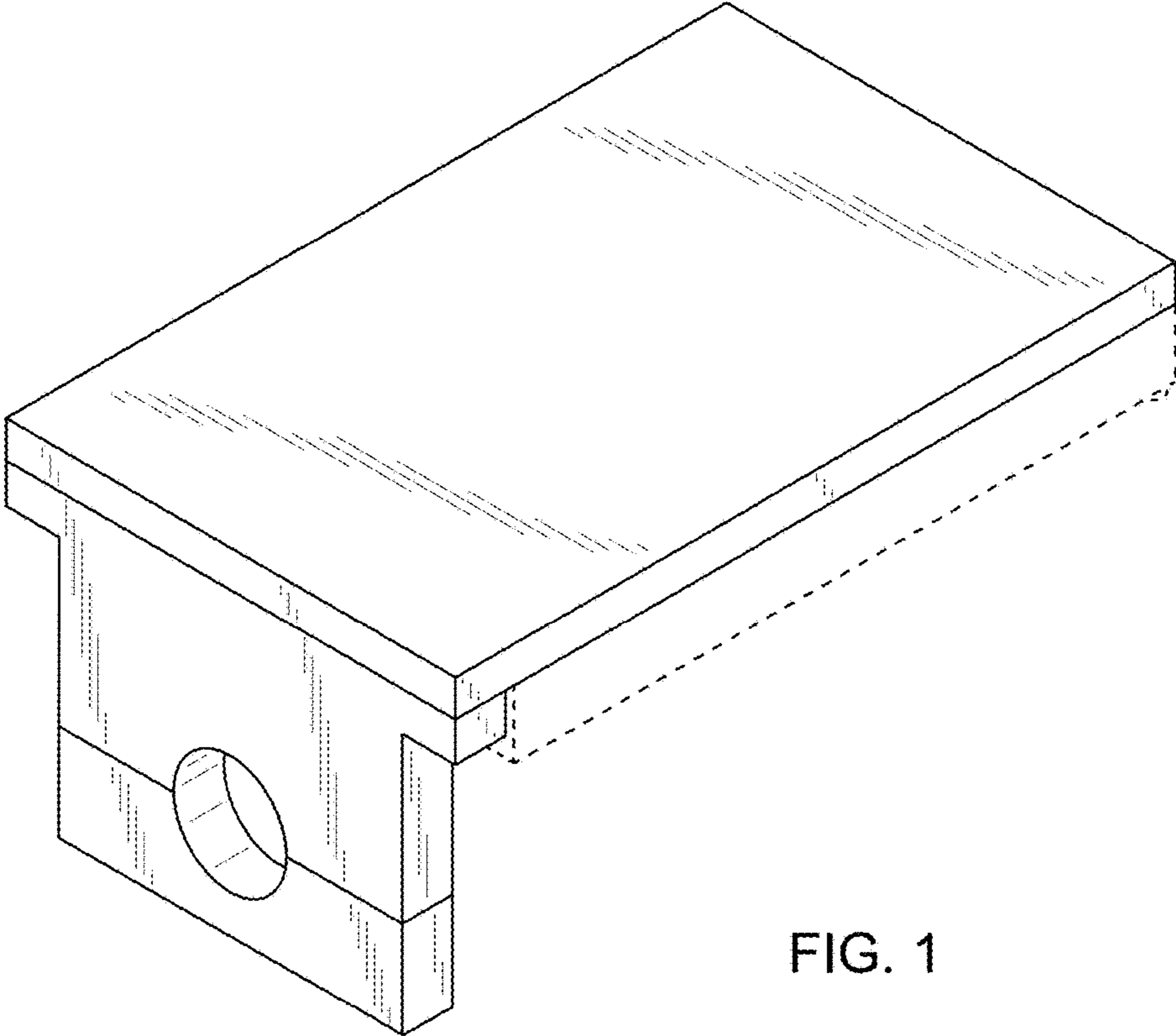


FIG. 1

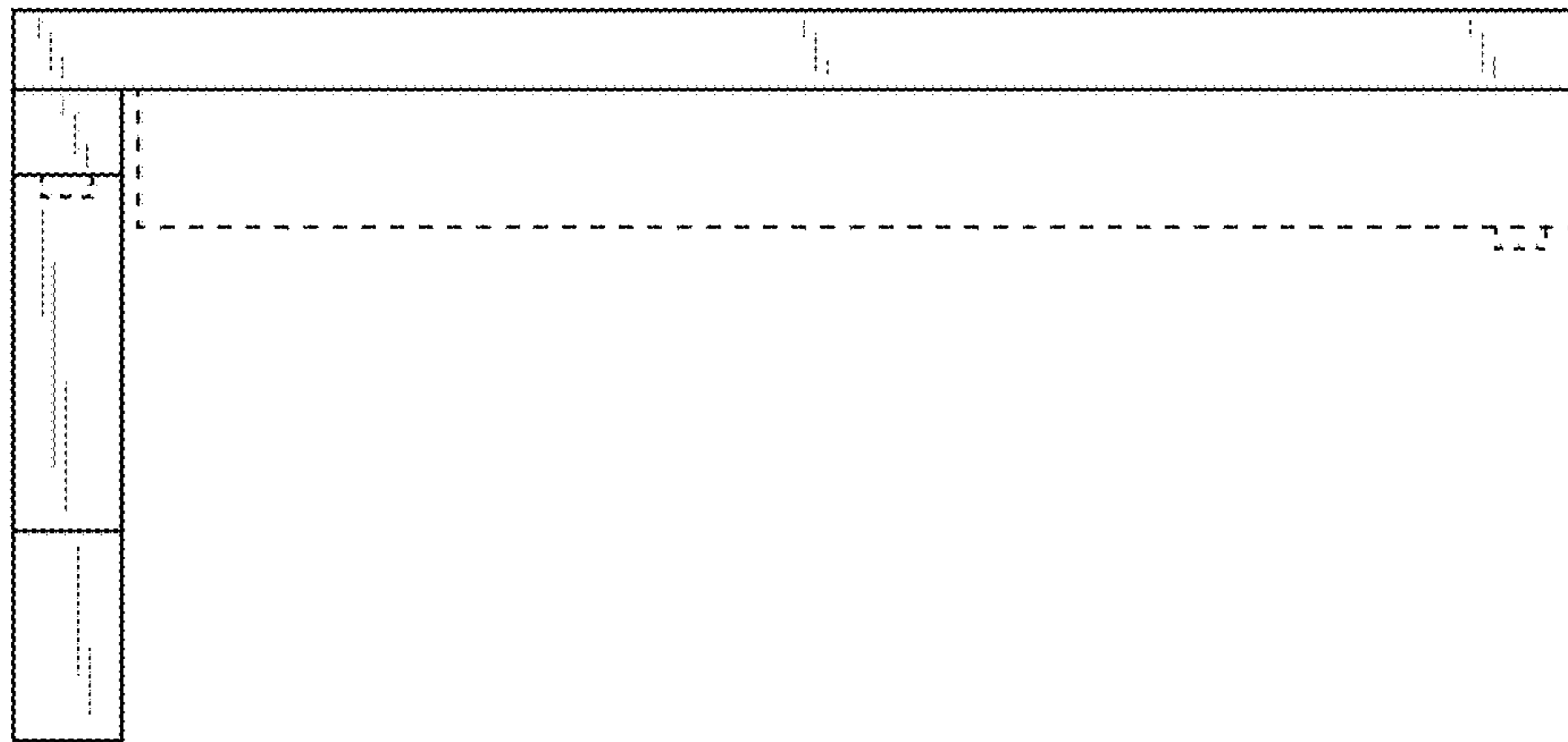


FIG. 2

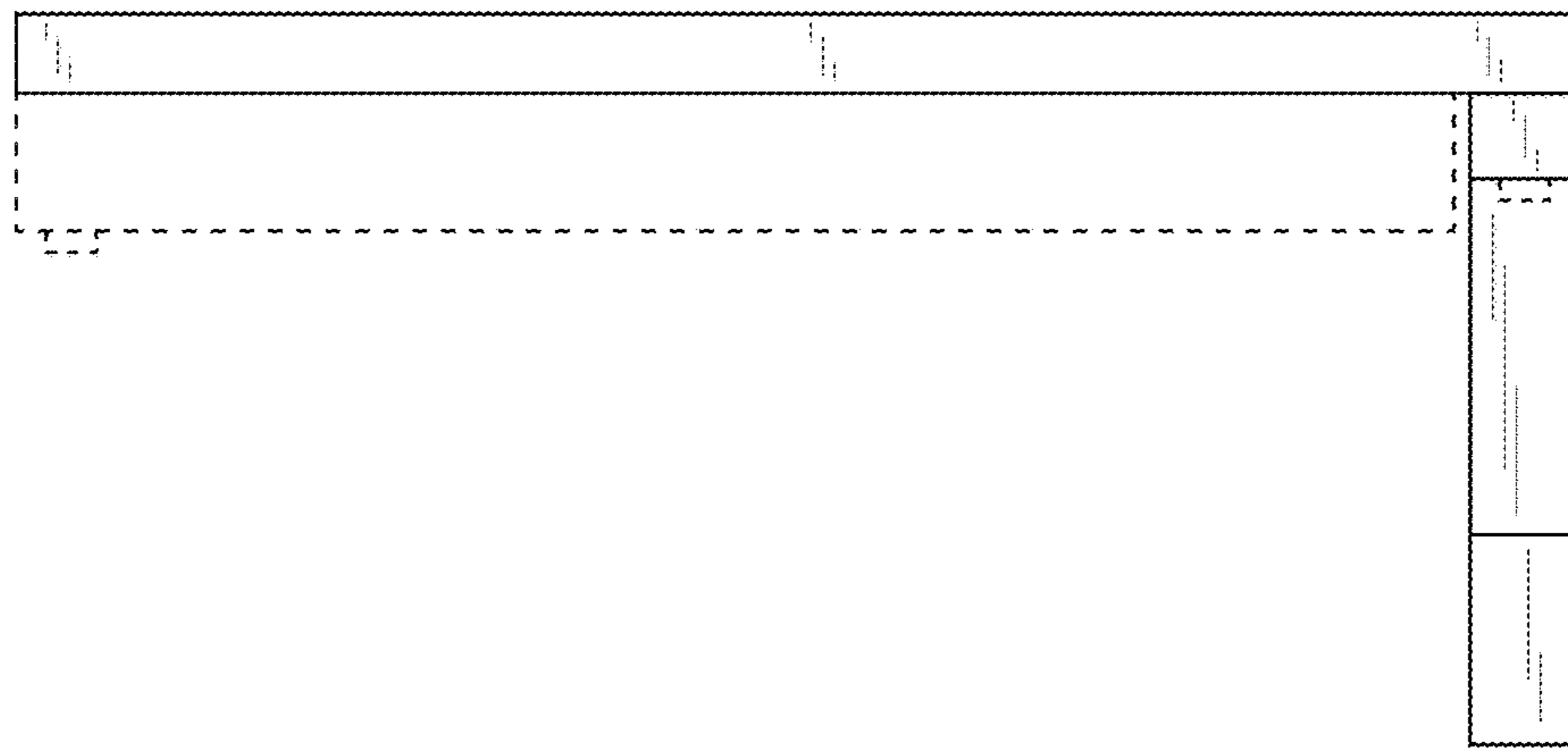


FIG. 3

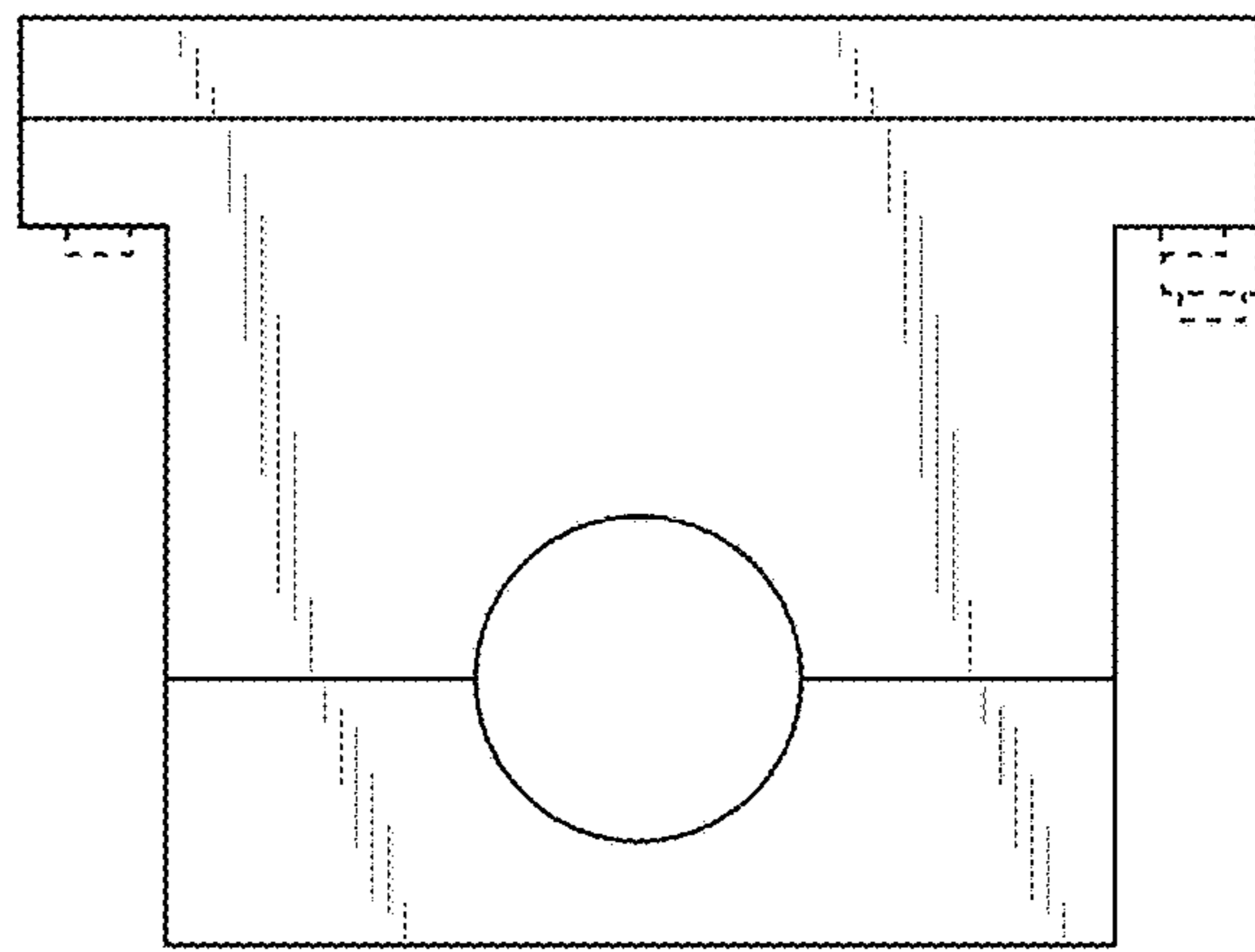


FIG. 4

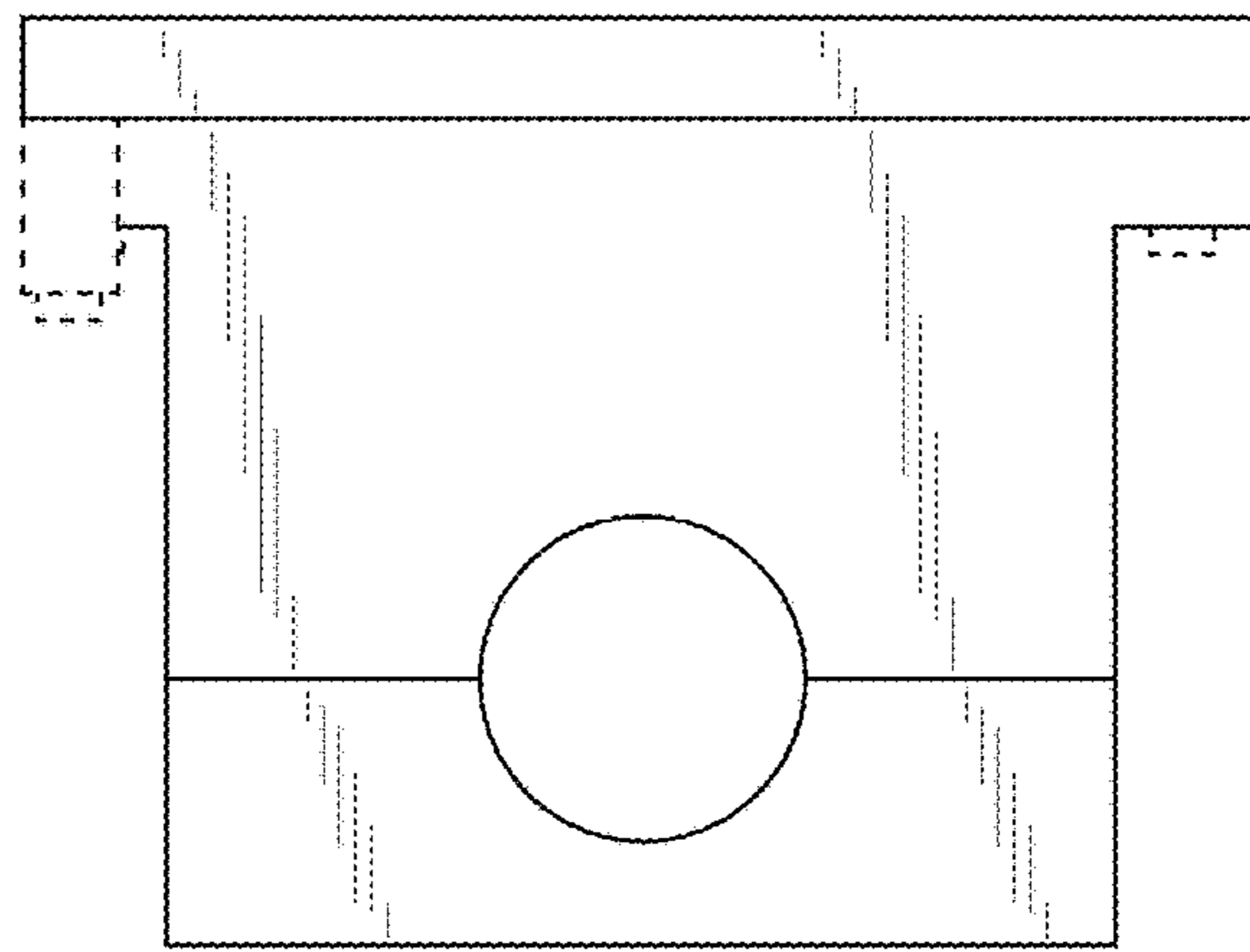


FIG. 5

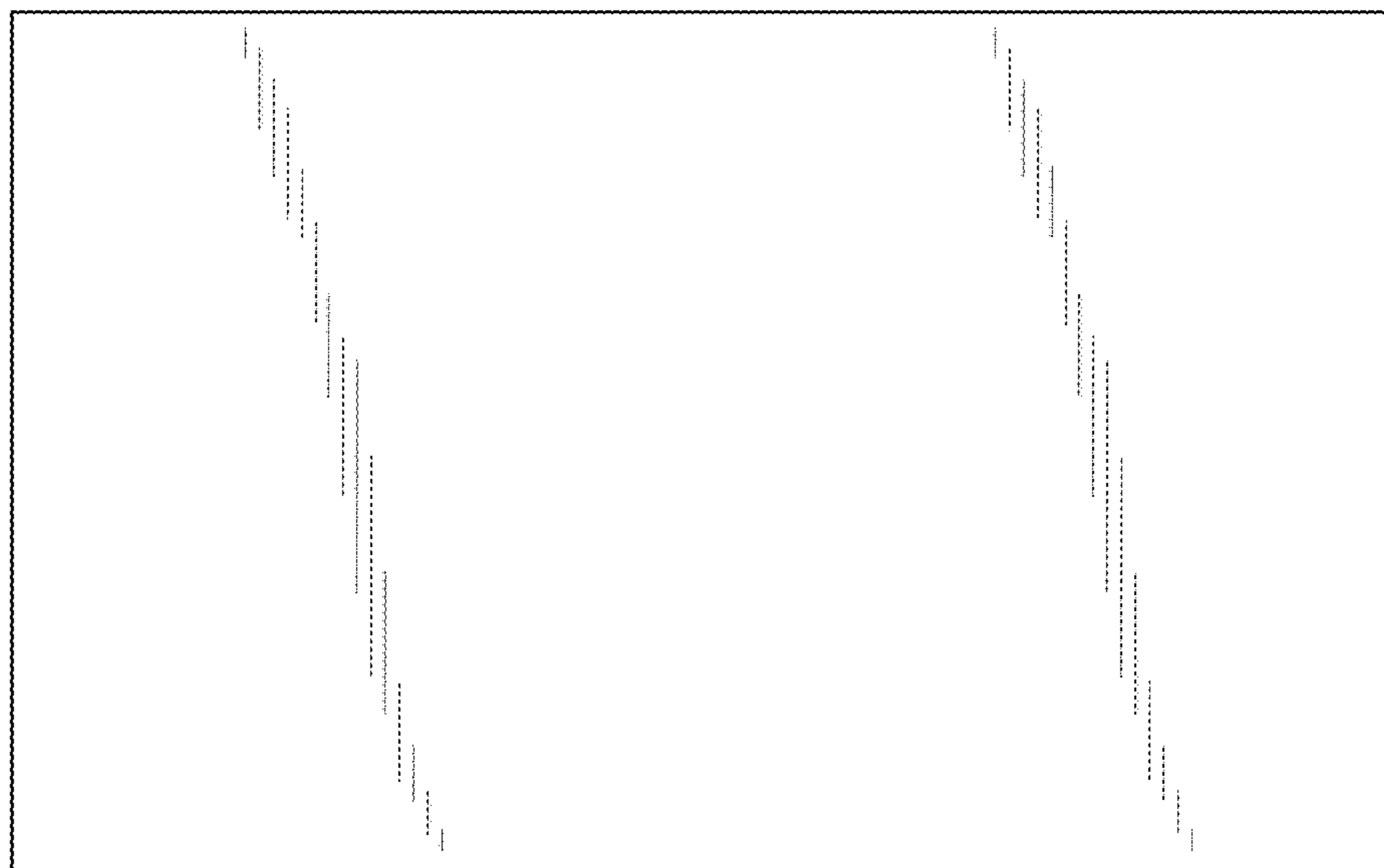


FIG. 6

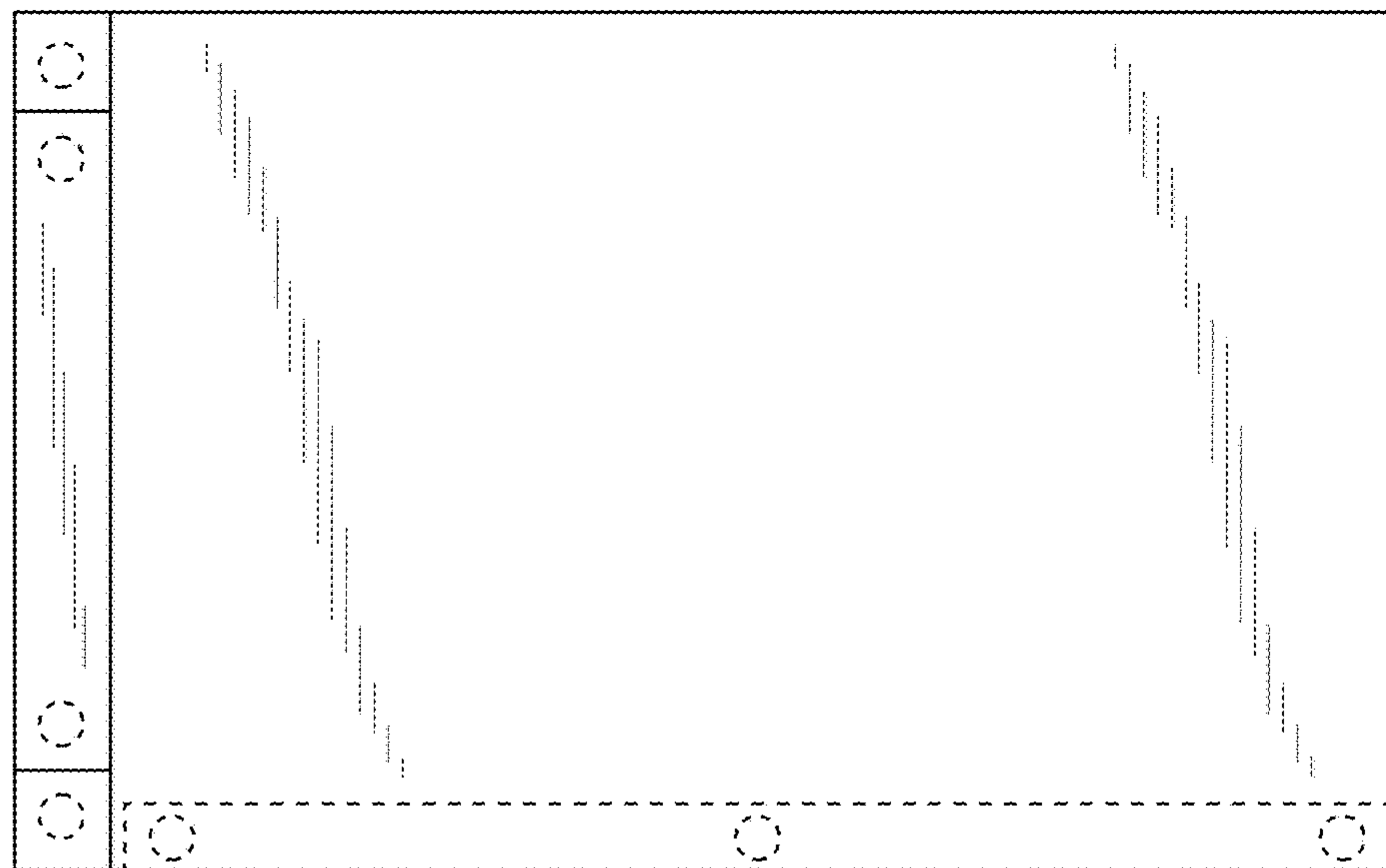


FIG. 7