



US00D853745S

(12) **United States Design Patent**
Budzak et al.

(10) **Patent No.:** **US D853,745 S**

(45) **Date of Patent:** **** Jul. 16, 2019**

(54) **OVER-THE-DOOR HANGING SHELF**

D579,248 S * 10/2008 Goodman D6/513
D588,381 S * 3/2009 Lewenhielm D6/574
D798,067 S * 9/2017 Felsenthal D6/320
2017/0251808 A1 * 9/2017 Ruiz A47B 43/003

(71) Applicant: **Whitmor, Inc.**, Southaven, MS (US)

(72) Inventors: **Lauren Budzak**, Memphis, TN (US);
Michael Herndon, Memphis, TN (US);
Kristy Smith, Germantown, TN (US);
Sandy Felsenthal, Memphis, TN (US)

* cited by examiner

(73) Assignee: **Whitmor, Inc.**, Southaven, MS (US)

Primary Examiner — Wan Laymon
Assistant Examiner — Mark Booker

(**) Term: **15 Years**

(74) *Attorney, Agent, or Firm* — Stites & Harbison
PLLC; Richard S. Myers, Jr.

(21) Appl. No.: **29/607,412**

(57) **CLAIM**

(22) Filed: **Jun. 13, 2017**

The ornamental design for an over-the-door hanging shelf,
as shown and described.

(51) **LOC (11) Cl.** **06-06**

(52) **U.S. Cl.**

USPC **D6/513**

(58) **Field of Classification Search**

DESCRIPTION

USPC D6/513, 574, 320–324; D7/698;
D26/72; 108/28–29, 152; 211/13.1, 42,
211/86.01, 88.01, 90.01, 90.03, 126.1,
211/134, 153; 248/205.3, 235, 243, 247,
248/250; D15/89

CPC A47B 43/00; A47B 43/04; A47B 47/0066;
A47B 47/04; A47B 63/00; A47B 69/00;
A47B 71/00; A47B 61/04; A47B 55/00;
A47B 96/068

See application file for complete search history.

FIG. 1 is a perspective view of the design of an over-the-door hanging shelf showing the new design;
FIG. 2 is a top plan view thereof;
FIG. 3 is a right side elevation view thereof, the left side being a mirror image;
FIG. 4 is a bottom plan view thereof;
FIG. 5 is a front elevation view thereof;
FIG. 6 is a rear elevation view thereof; and,
FIG. 7 is a perspective view of the over-the-door hanging shelf of FIG. 1 illustrating the over-the-door hanging shelf placed on a door.

The broken lines shown in the drawing views are included for the purpose of showing environmental subject matter that forms no part of the claimed design.

(56) **References Cited**

U.S. PATENT DOCUMENTS

D549,026 S * 8/2007 Parshad D6/574
D579,247 S * 10/2008 Heroux D6/513

1 Claim, 5 Drawing Sheets

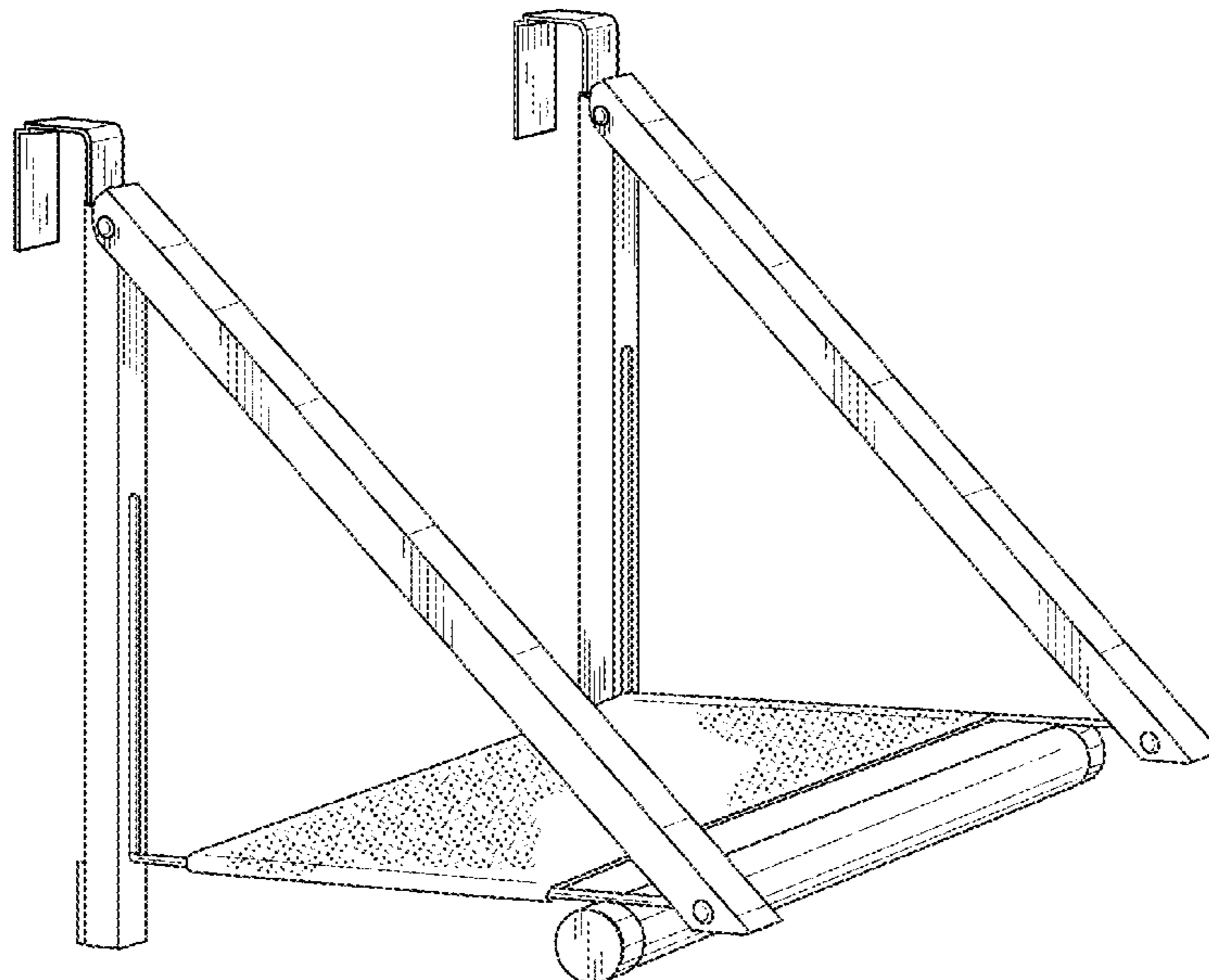


FIG. 1

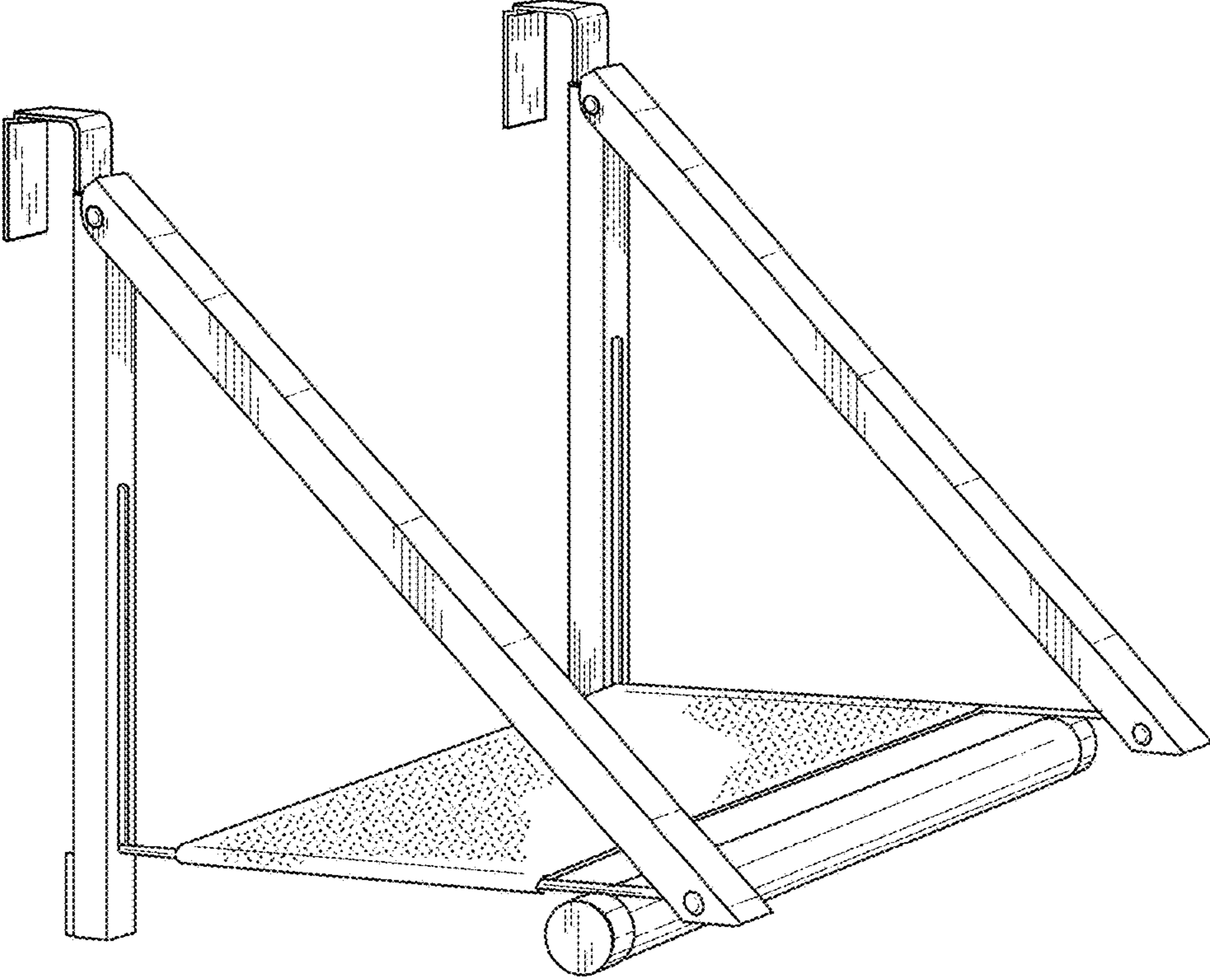


FIG. 2

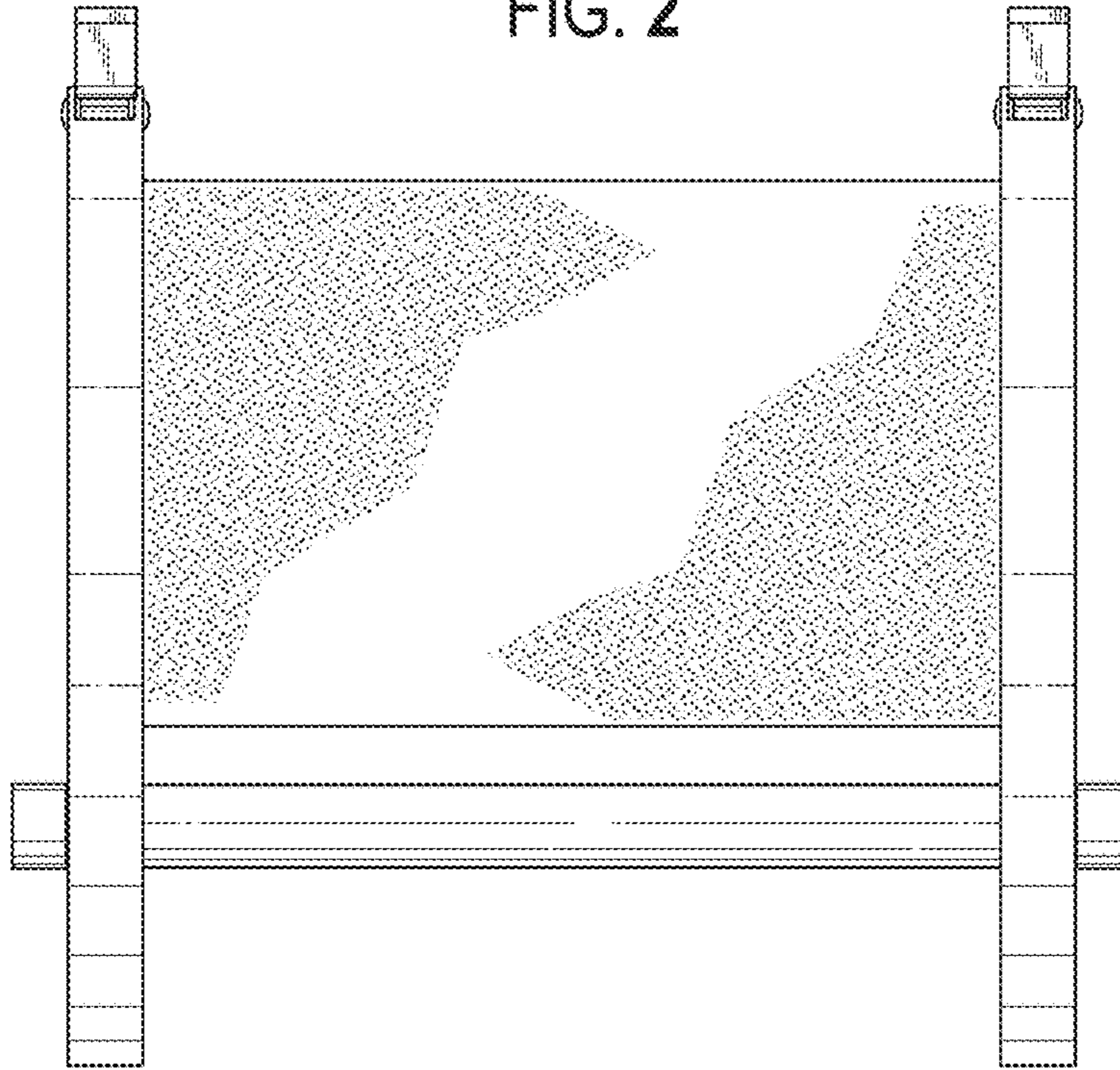


FIG. 3

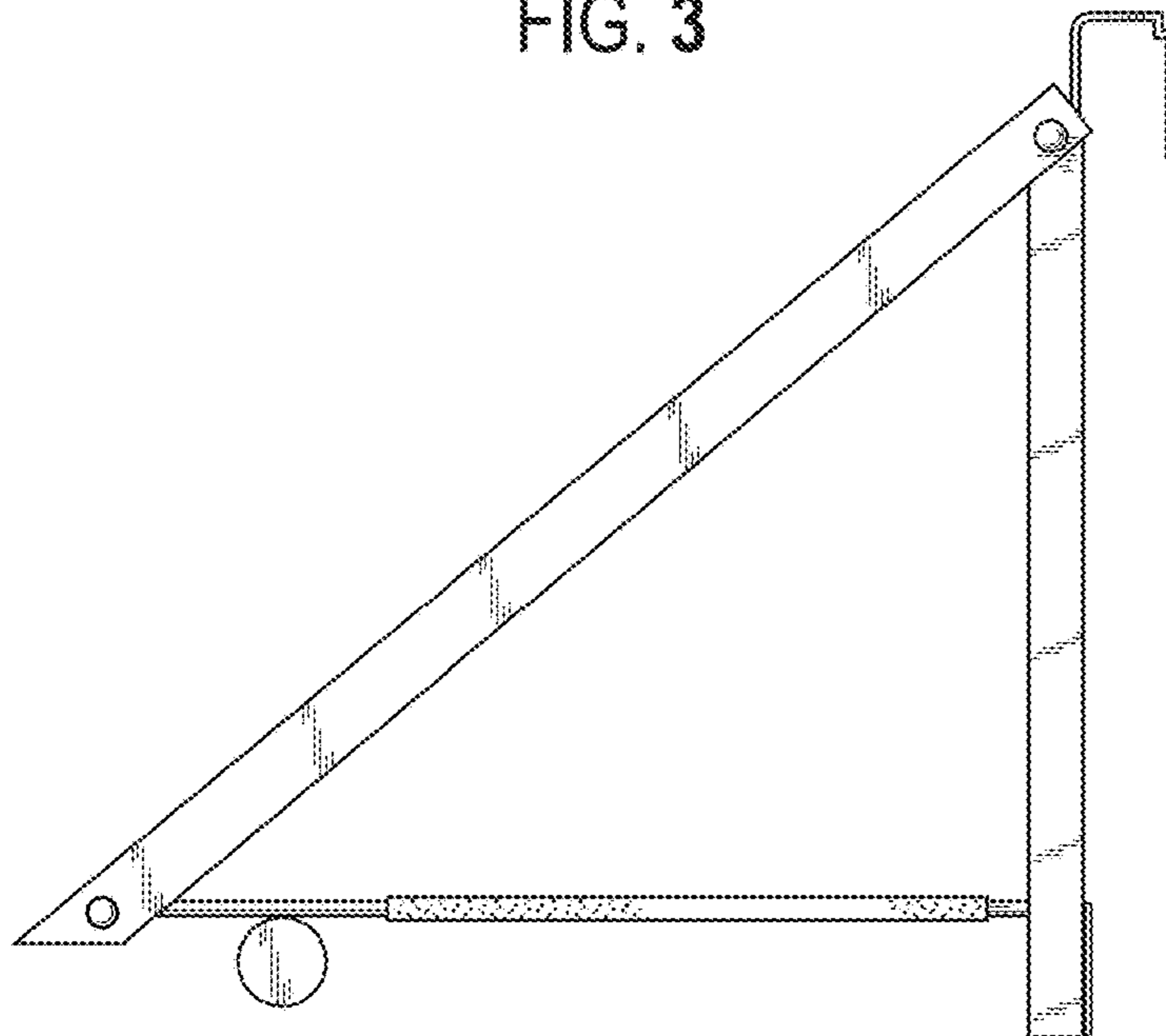


FIG. 4

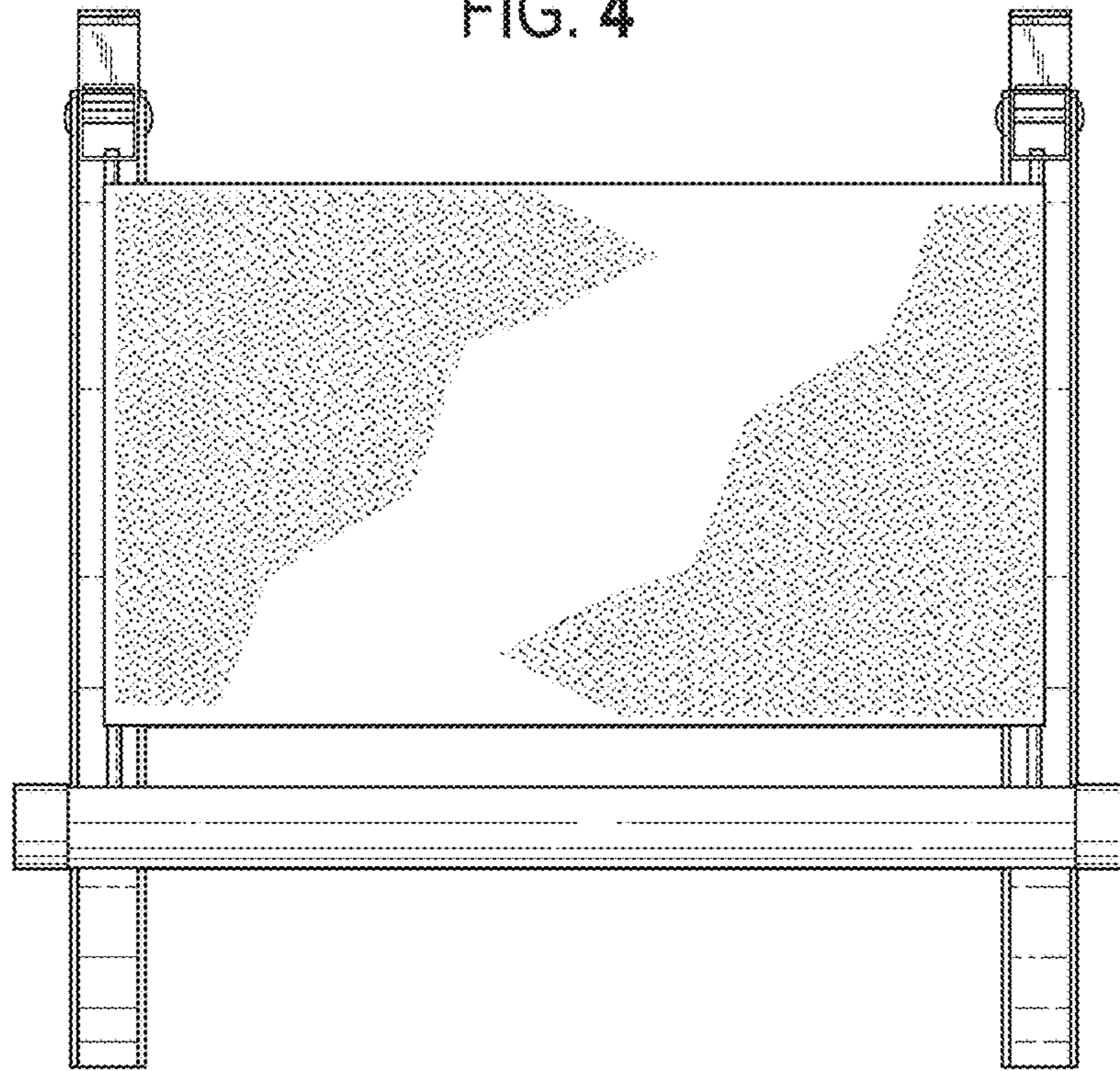


FIG. 5

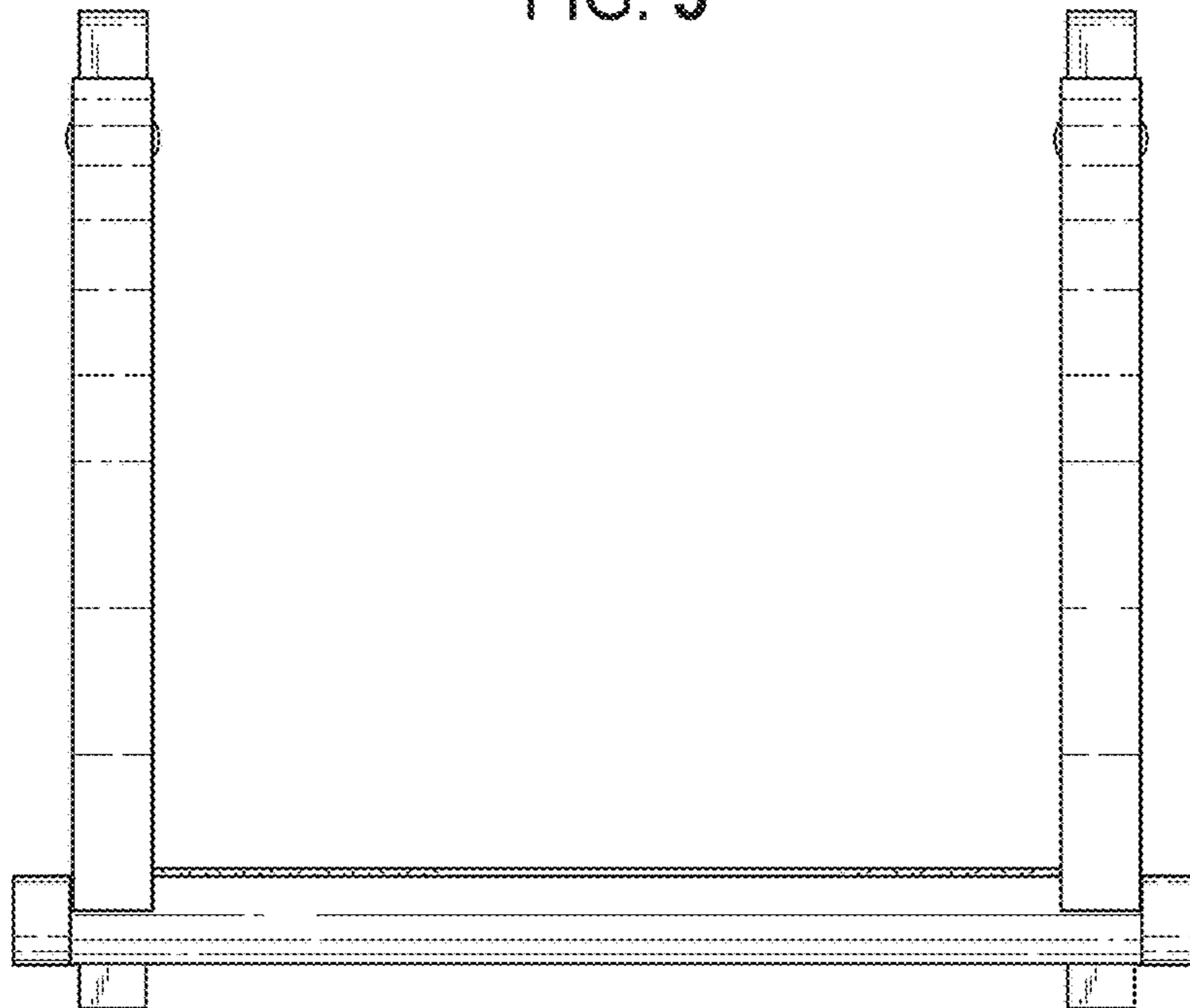


FIG. 6

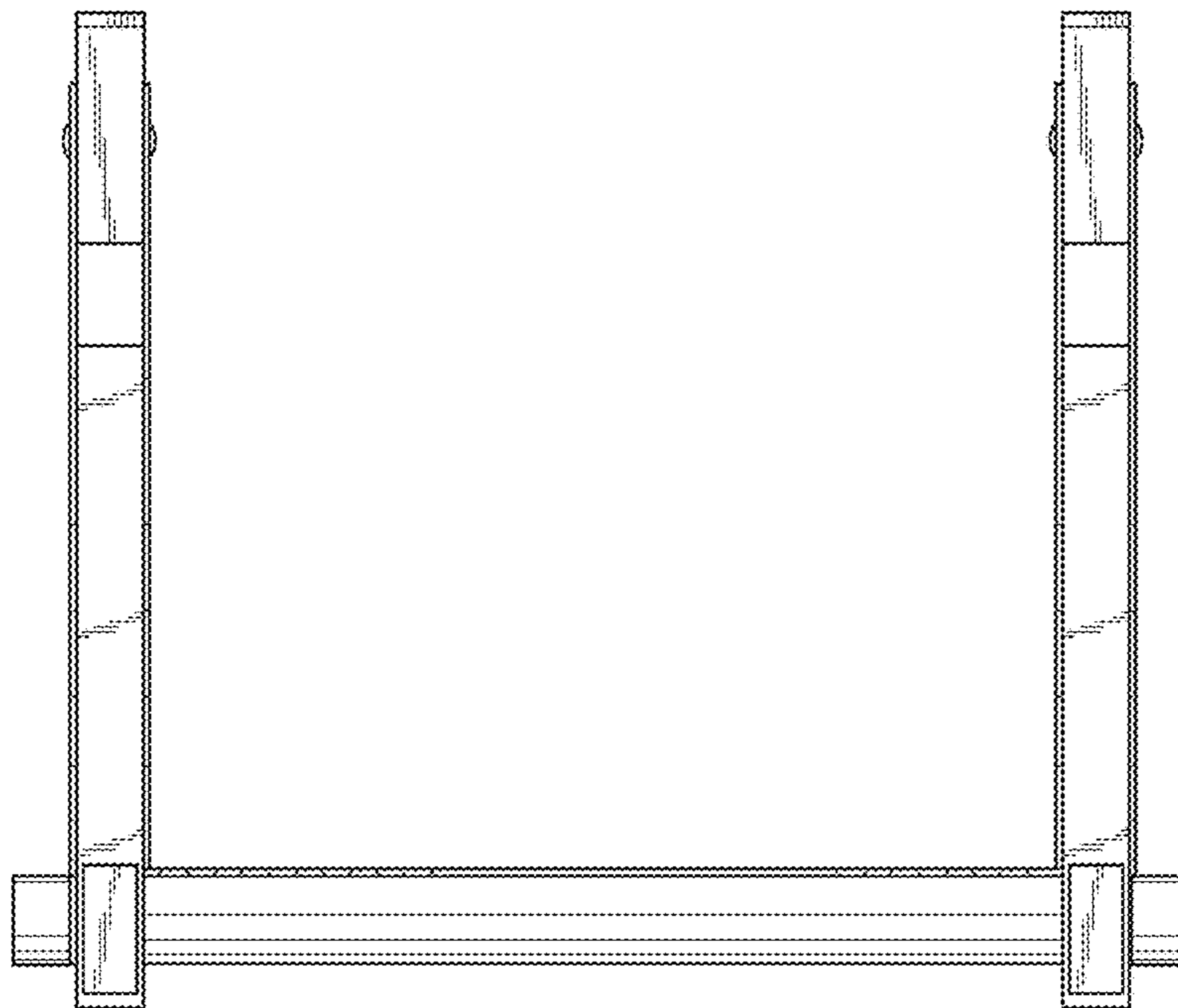


FIG. 7

