



US00D853742S

(12) **United States Design Patent**  
**Novak**

(10) **Patent No.:** **US D853,742 S**

(45) **Date of Patent:** **\*\* Jul. 16, 2019**

(54) **STOOL**

(71) Applicant: **MODERNICA, INC.**, Vernon, CA (US)

(72) Inventor: **Jay L. Novak**, Vernon, CA (US)

(73) Assignee: **MODERNICA, INC.**, Vernon, CA (US)

(\*\*) Term: **15 Years**

(21) Appl. No.: **29/580,326**

(22) Filed: **Oct. 7, 2016**

(51) **LOC (11) Cl.** ..... **06-01**

(52) **U.S. Cl.**  
USPC ..... **D6/360; D6/375**

(58) **Field of Classification Search**  
USPC ..... D6/334-336, 360, 369, 371, 372, 373,  
D6/374, 375, 376, 379, 380, 716, 716.1,  
D6/376.1, 716.2, 716.3  
CPC .. A47C 3/12; A47C 4/02; A47C 4/024; A47C  
4/028; A47C 4/03; A47C 5/04; A47C  
5/12; A47C 7/16; A47C 9/007  
See application file for complete search history.

(56) **References Cited**

**U.S. PATENT DOCUMENTS**

D181,945 S *	1/1958	Saارين	.....	D6/375
2,845,699 A *	8/1958	Woodard	.....	A47C 3/12 297/DIG. 2
3,565,486 A *	2/1971	Channon	.....	A47C 3/12 297/440.1
3,574,400 A *	4/1971	Day	.....	A47C 5/12 297/452.14
D226,648 S *	4/1973	Sebel et al.	.....	D6/375

D596,864 S *	7/2009	Bergmann	.....	D6/375
D617,567 S *	6/2010	Stiker Metral	.....	D6/360
D656,755 S *	4/2012	Wanders	.....	D6/375
D686,831 S *	7/2013	Lemson	.....	D6/375
D696,036 S *	12/2013	Starck	.....	D6/360
D798,068 S *	9/2017	Iqbal	.....	D6/373
D798,617 S *	10/2017	Iqbal	.....	D6/334
D820,625 S *	6/2018	Steinmeijer	.....	D6/716
D836,360 S *	12/2018	Novak	.....	D6/375

\* cited by examiner

*Primary Examiner* — Mimoso De

(74) *Attorney, Agent, or Firm* — Karish & Bjorgum, PC

(57) **CLAIM**

The ornamental design for a stool, as shown and described.

**DESCRIPTION**

“U.S. Design patent application Ser. No. 29/558,185, filed Mar. 15, 2016, and U.S. Design patent application Ser. No. 29/577,675, filed Sep. 14, 2016, disclose chair designs including the seats of this stool design, the disclosures of which are incorporated herein by reference.”

FIG. 1 is an isometric view of the stool with a solid seat having arms.

FIG. 2 is a front view of the stool with the solid seat having arms.

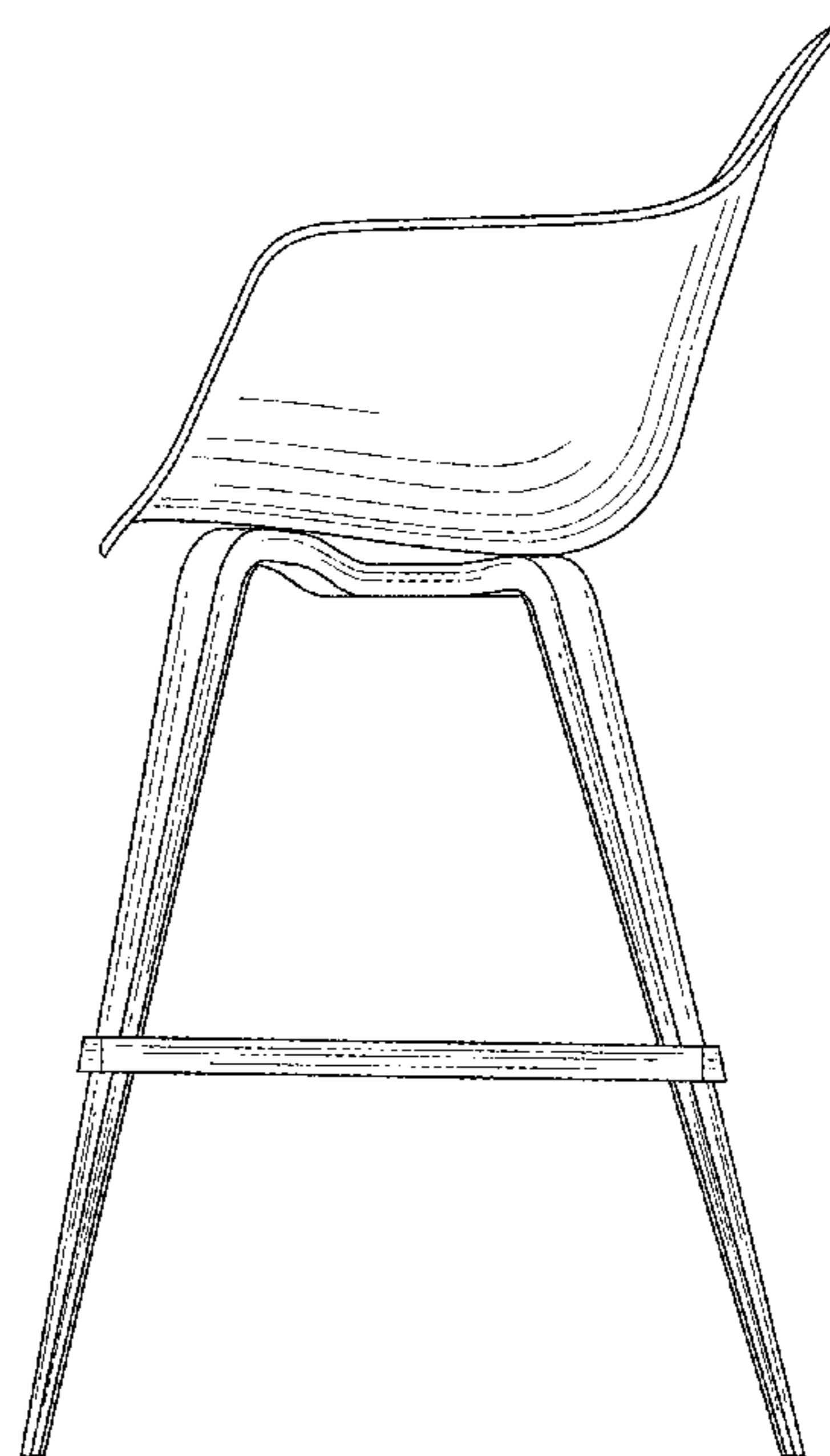
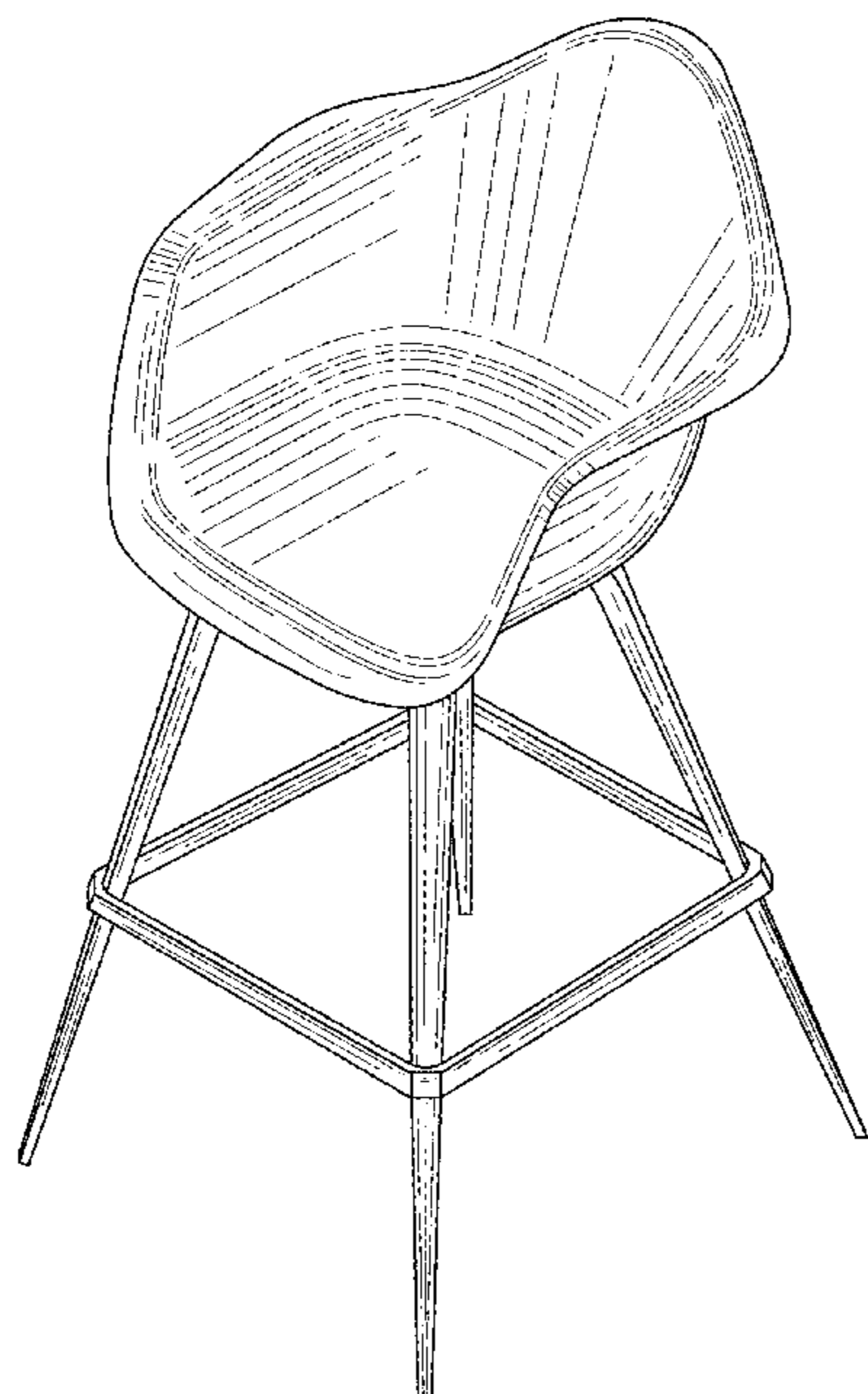
FIG. 3 is a back view of the stool with the solid seat having arms.

FIG. 4 is a left side view of the stool with the solid seat having arms, the right side view being a mirror image of the left side view; and,

FIG. 5 is a top view of the stool with the solid seat having arms.

The bottom view is not part of the design. The legs of the stool have an organic wood grain appearance.

**1 Claim, 5 Drawing Sheets**



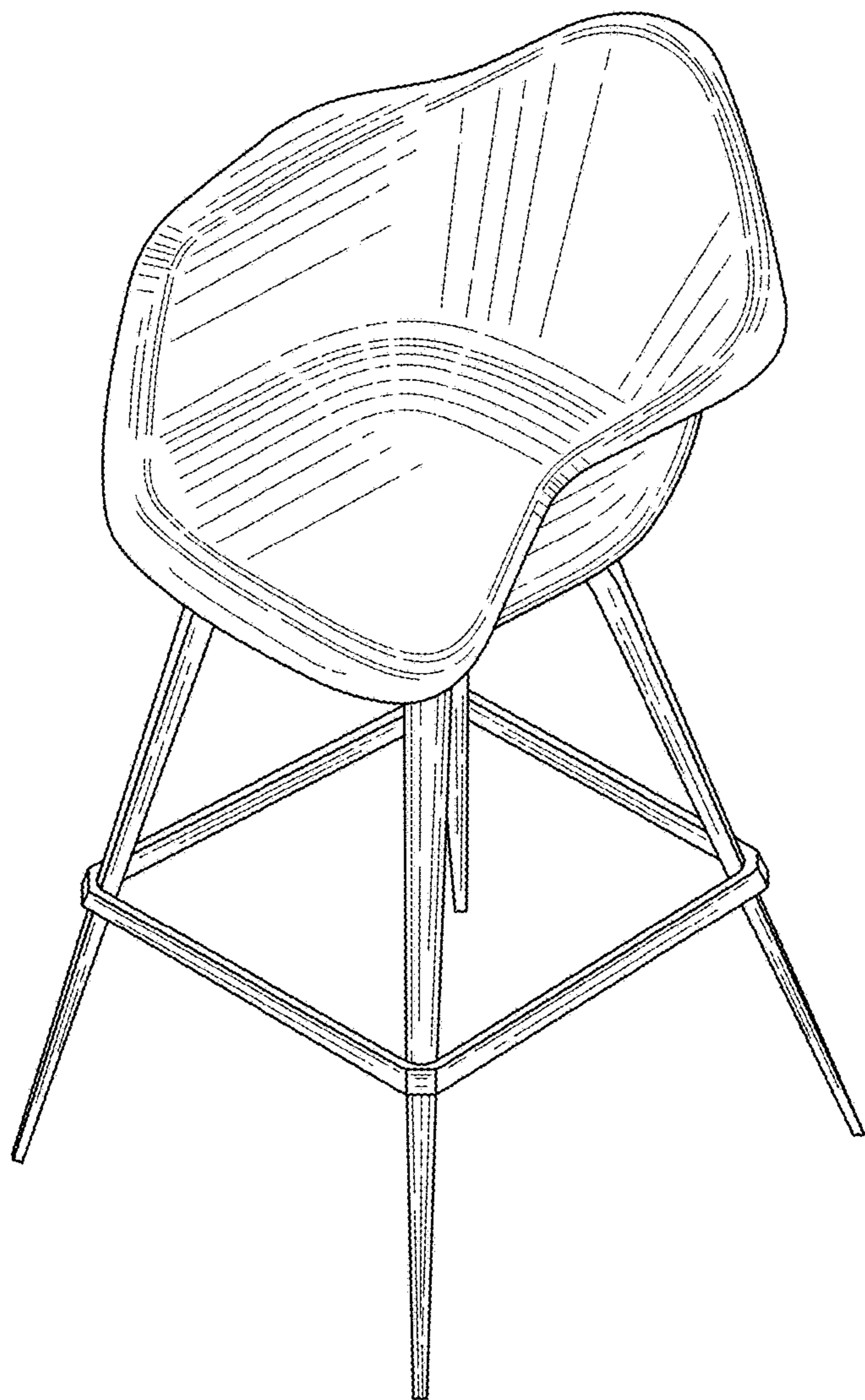


FIG. 1

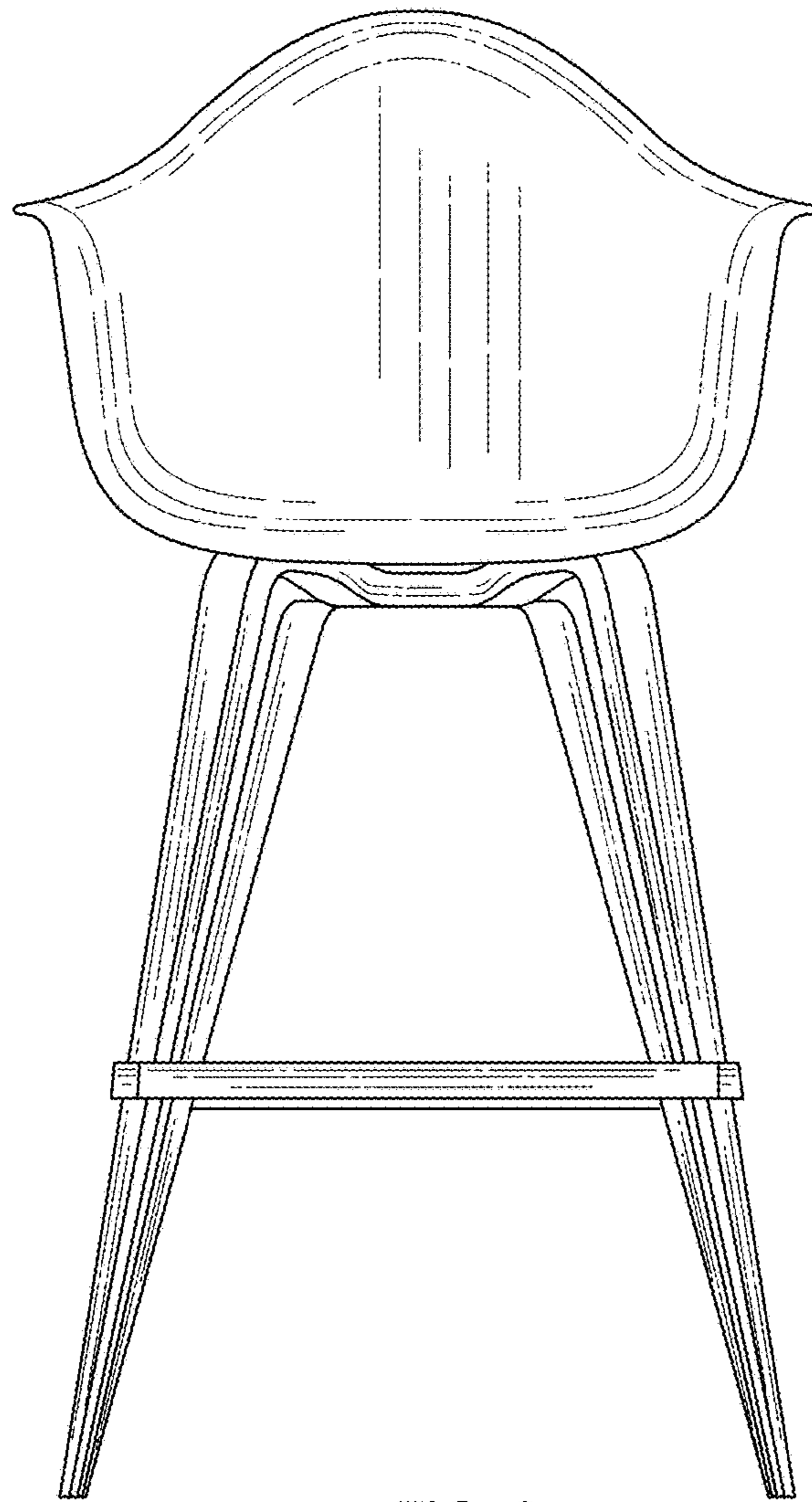


FIG. 2

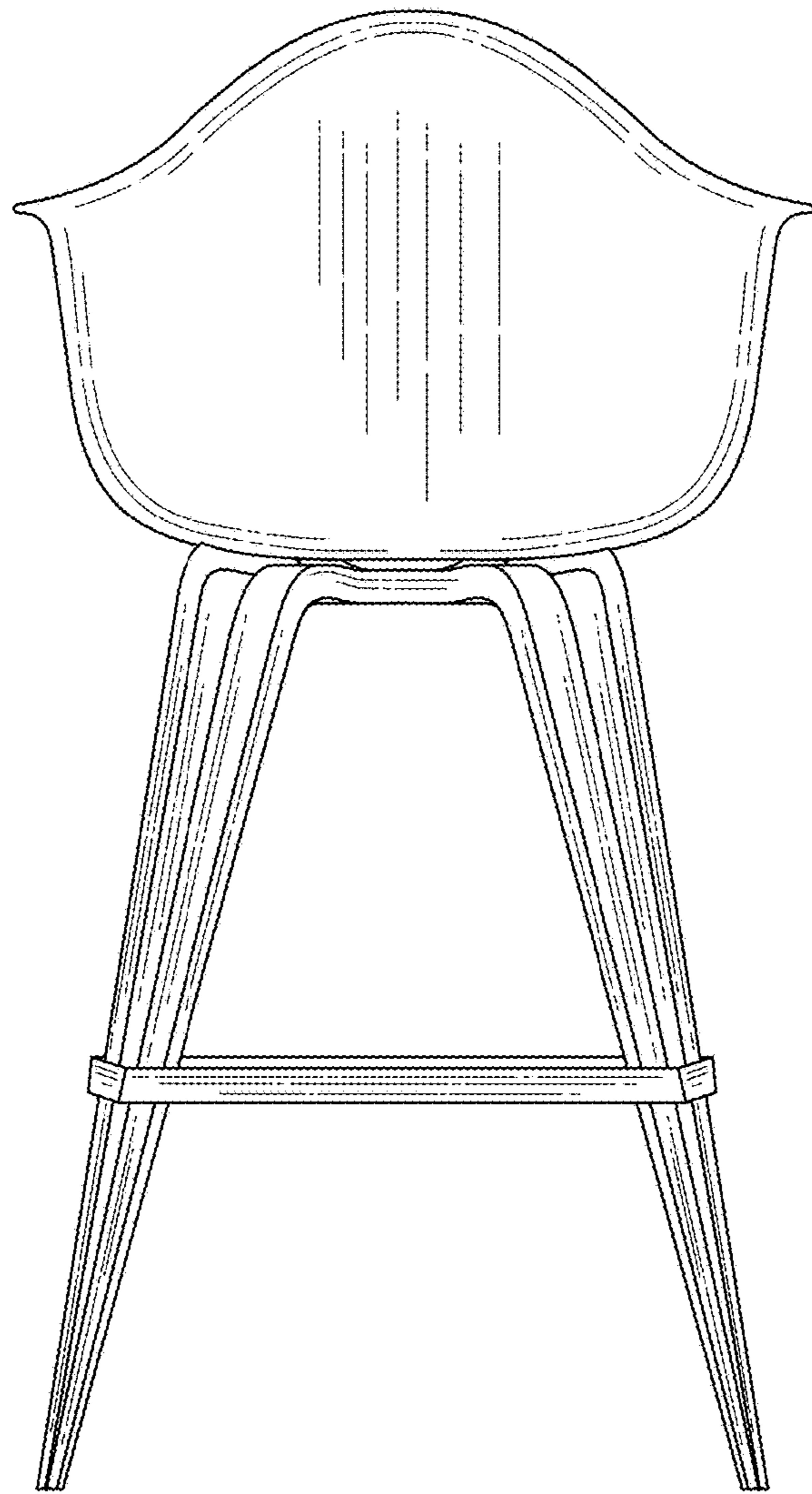


FIG. 3

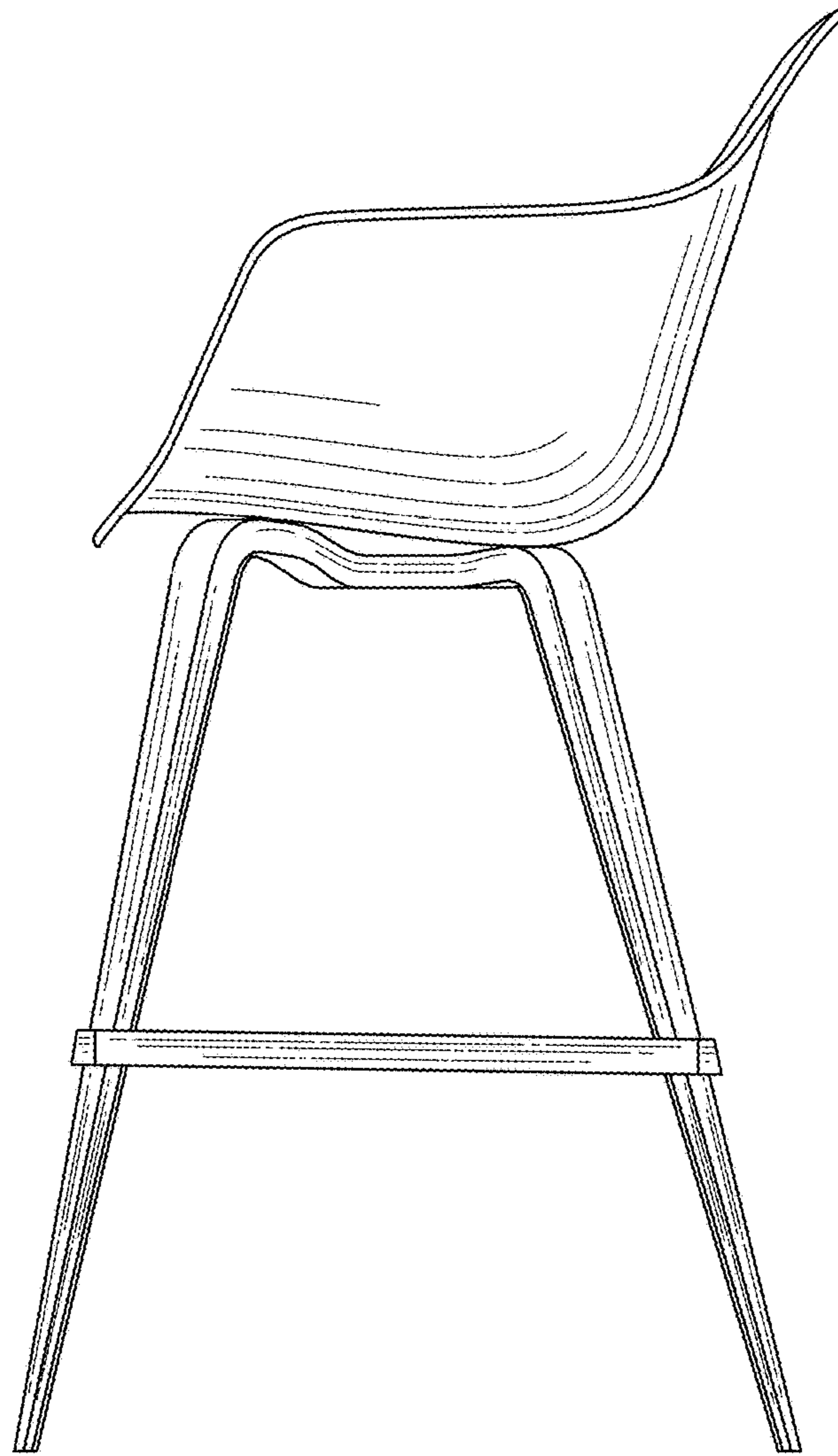


FIG. 4

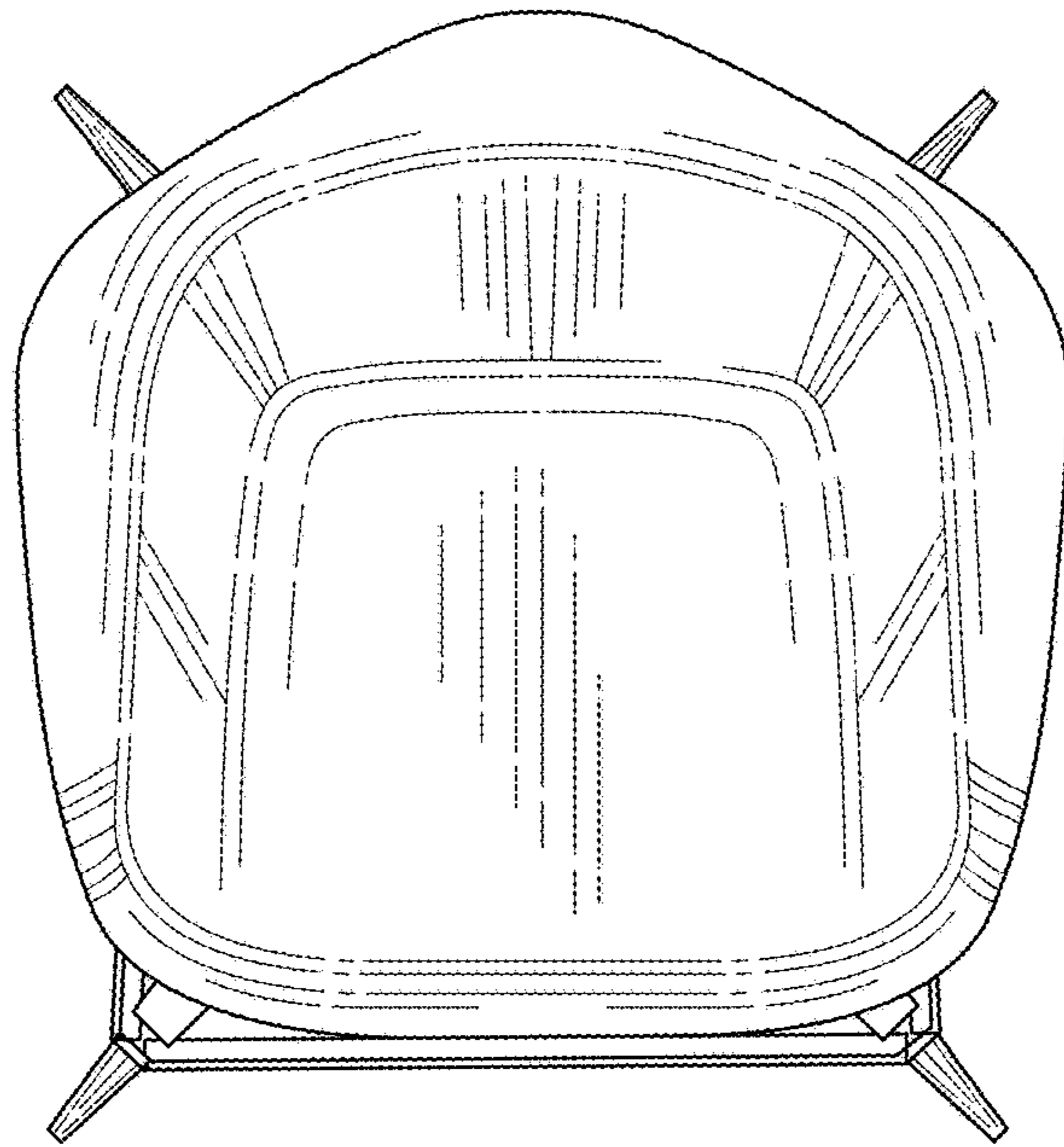


FIG. 5