



US00D853740S

(12) **United States Design Patent**
Corey et al.

(10) **Patent No.:** **US D853,740 S**

(45) **Date of Patent:** **** *Jul. 16, 2019**

(54) **SPOOL STOOL**

(71) Applicant: **OW Investors**, Ocala, FL (US)

(72) Inventors: **David Bellamy Corey**, Tampa, FL (US); **Michael Louis Mastic**, Ocala, FL (US); **William Franklin Goodman**, Ocala, FL (US); **Jeffrey Brian Butt**, Ocala, FL (US)

(*) Notice: This patent is subject to a terminal disclaimer.

(**) Term: **15 Years**

(21) Appl. No.: **29/613,188**

(22) Filed: **Aug. 8, 2017**

(51) **LOC (11) Cl.** **06-01**

(52) **U.S. Cl.**
USPC **D6/352**

(58) **Field of Classification Search**
USPC D6/334, 336-342, 349-353, 355, 358, D6/360, 364-365, 406.2, 574, 596-597, D6/601, 604, 688.24-688.27, 691-691.9, D6/692-692.6, 716-716.1
CPC A47C 16/02-16/04; A47C 13/00; A47K 17/02; A47K 17/028
See application file for complete search history.

(56) **References Cited**

U.S. PATENT DOCUMENTS

D189,535 S * 1/1961 Rath, Jr. D27/180
3,083,052 A * 3/1963 Thorson A47B 13/023
108/150
3,181,913 A * 5/1965 Guido A47C 3/16
297/423.41
D313,896 S * 1/1991 Kaye D6/360

D340,141 S * 10/1993 Chapman D23/303
D450,941 S * 11/2001 Spitler D6/349
D523,251 S * 6/2006 Parpala D6/352
D666,013 S * 8/2012 Harrison D6/351
D671,757 S * 12/2012 Walker D6/349
D721,526 S * 1/2015 Bosman D6/692.3
D787,209 S * 5/2017 Rosa D6/349

OTHER PUBLICATIONS

Cable spool repurposed as tables and chairs, house and garden furniture. [online] Retrieved May 2, 2018 from URL: <<https://homemade-furniture.com/repurposed/cable-spool-furniture/>>.*

* cited by examiner

Primary Examiner — Vy N Koenig

(74) *Attorney, Agent, or Firm* — Monty Simmons; Simmons Patents

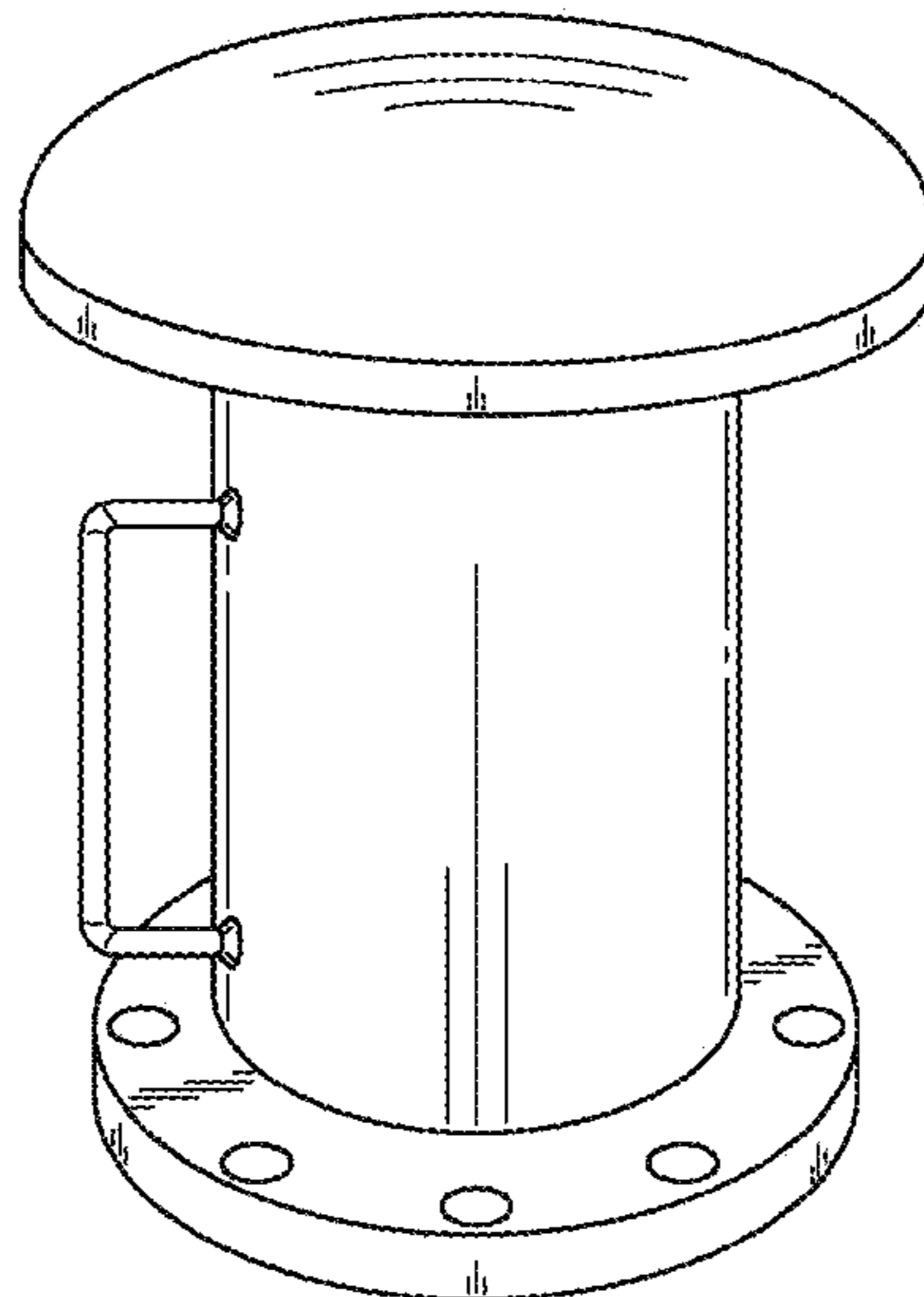
(57) **CLAIM**

The ornamental design for a spool stool, as shown and described.

DESCRIPTION

FIG. 1 is an elevated perspective thereof;
FIG. 2 is a bottom perspective view thereof;
FIG. 3 is a first side elevation view thereof;
FIG. 4 is a second side elevation view thereof;
FIG. 5 is a third side elevation view thereof;
FIG. 6 is a fourth side elevation view thereof;
FIG. 7 is a top plan view thereof; and,
FIG. 8 is a bottom plan view thereof.
The broken lines in the drawings depict environmental subject matter and form no part of the claimed design.

1 Claim, 8 Drawing Sheets



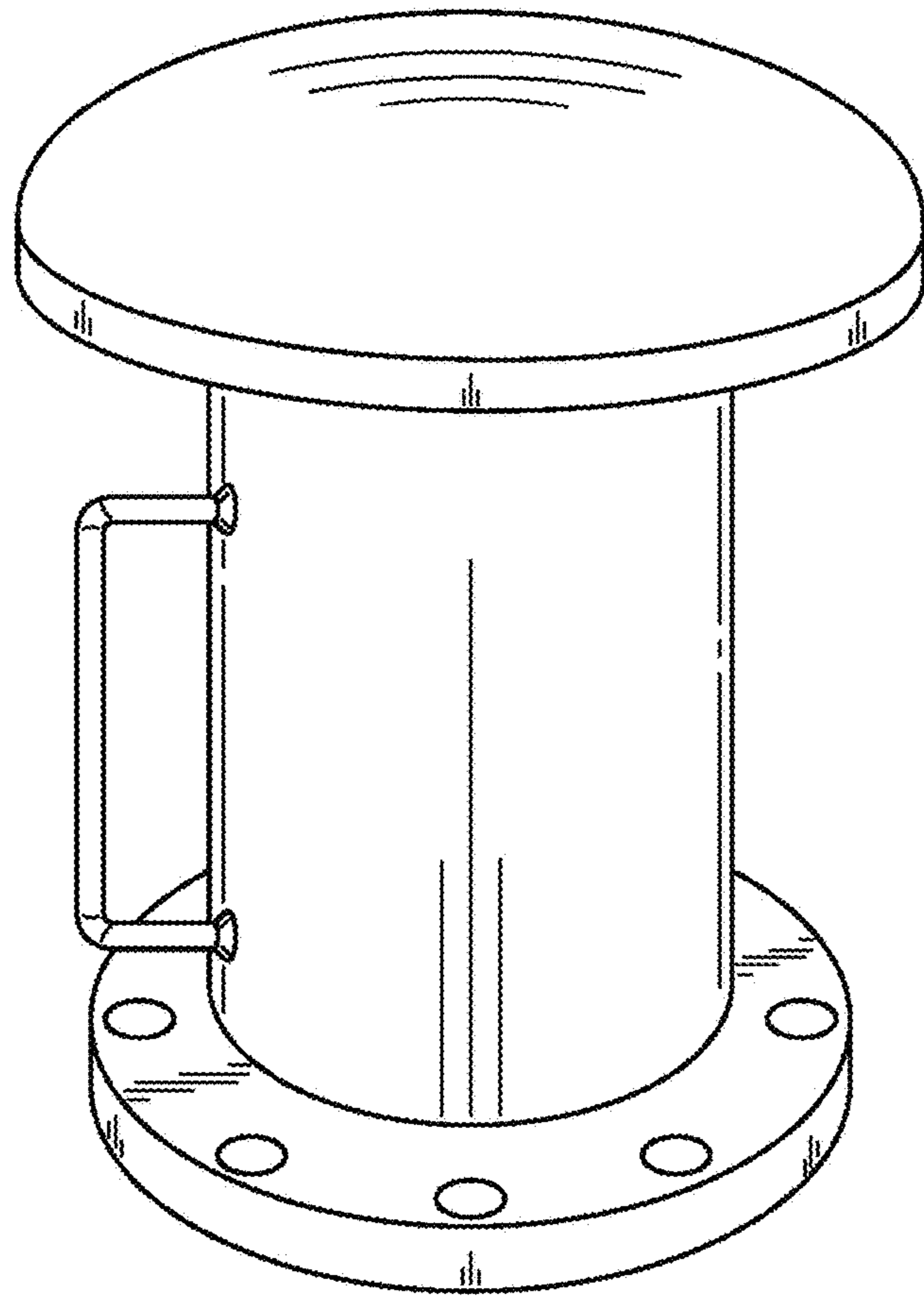


FIG. 1

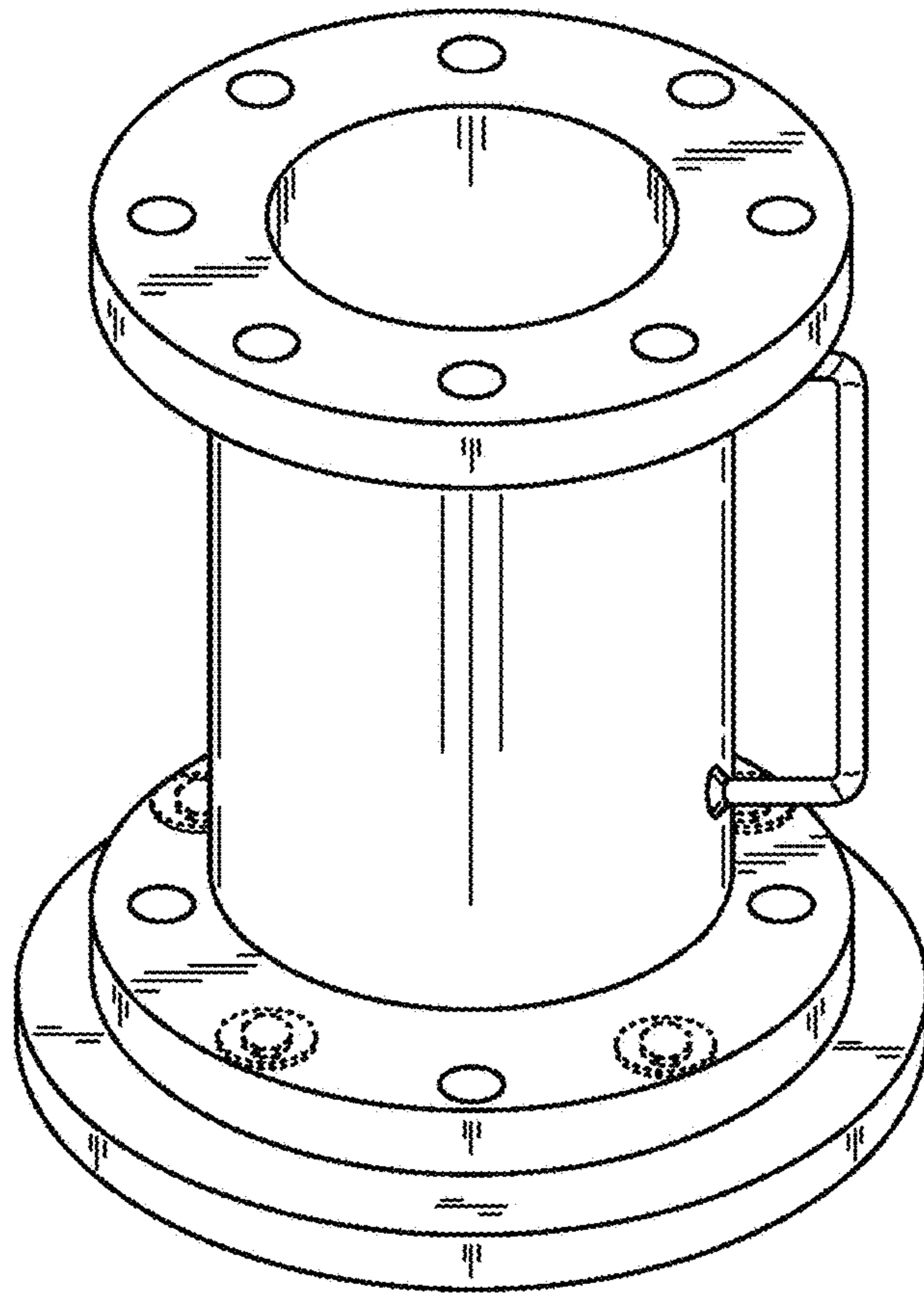


FIG. 2

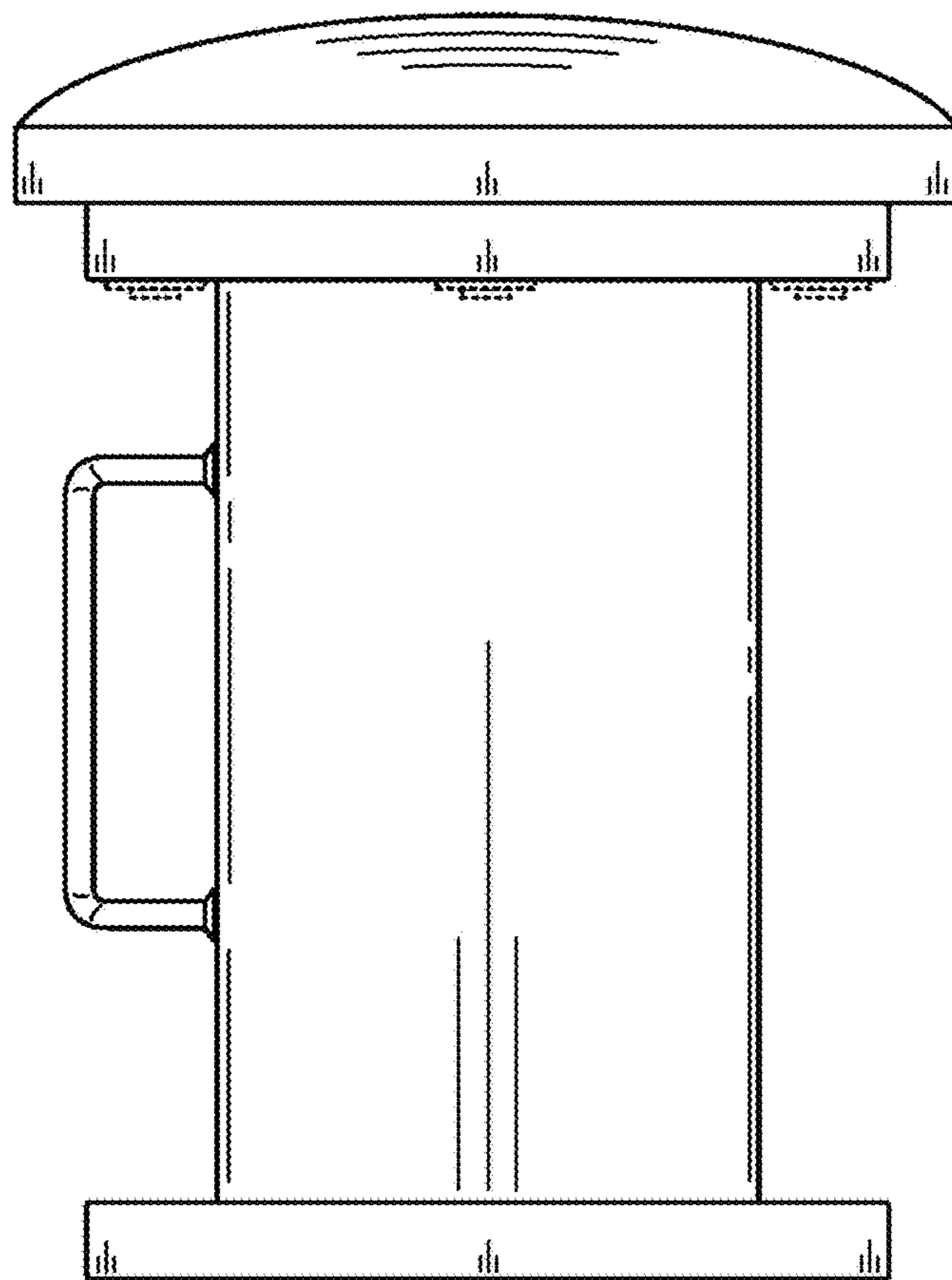


FIG. 3

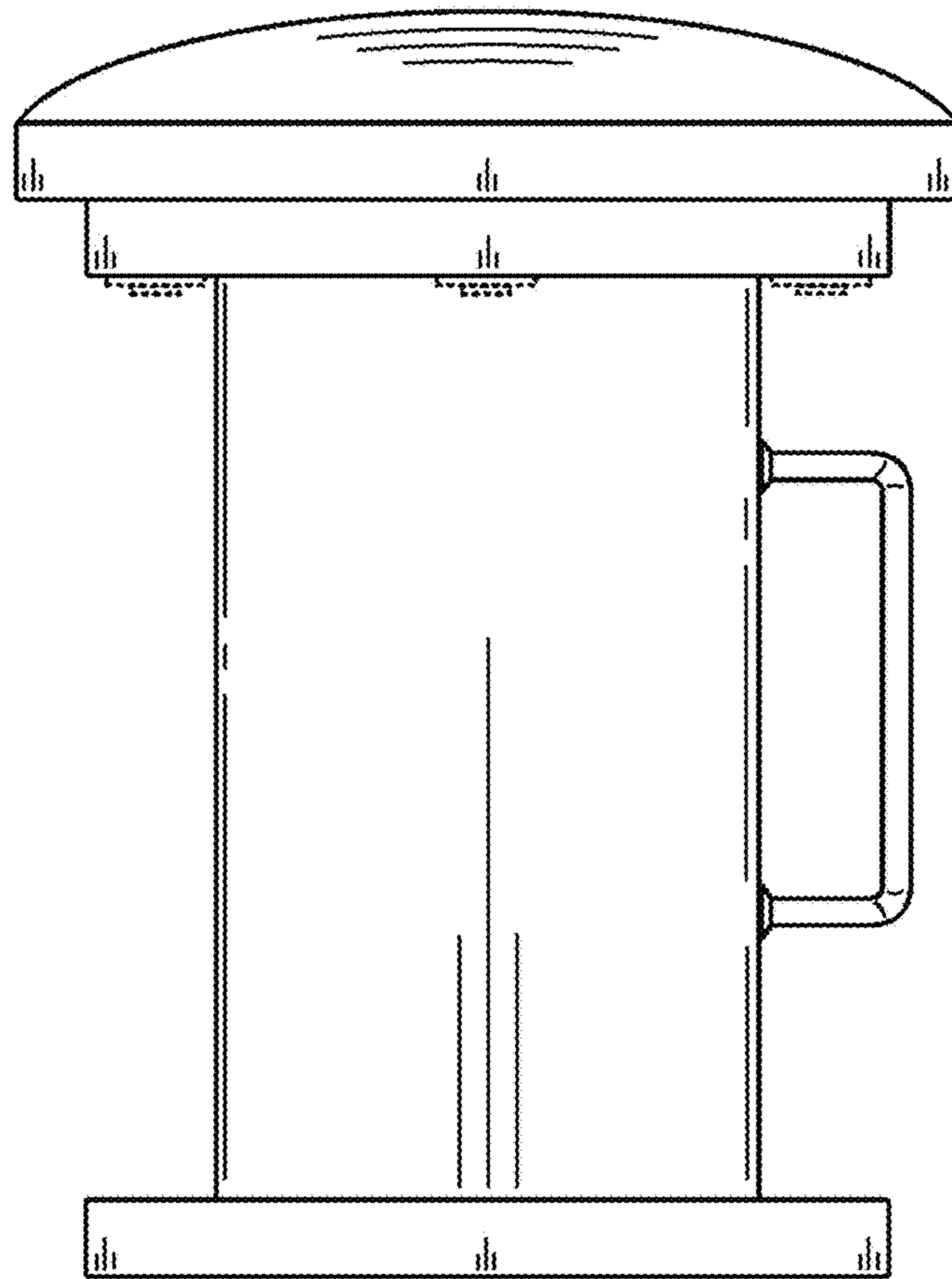


FIG. 4

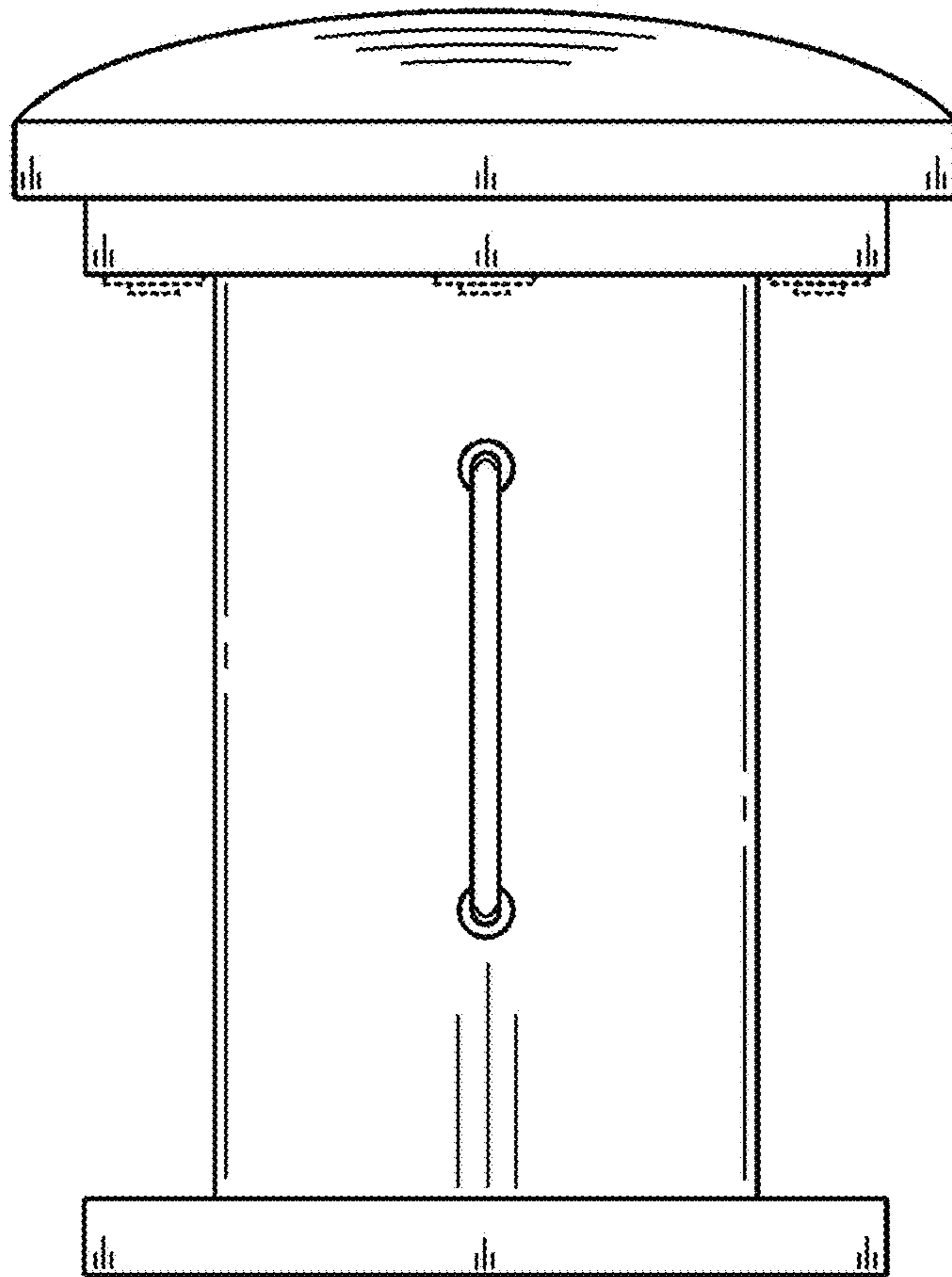


FIG. 5

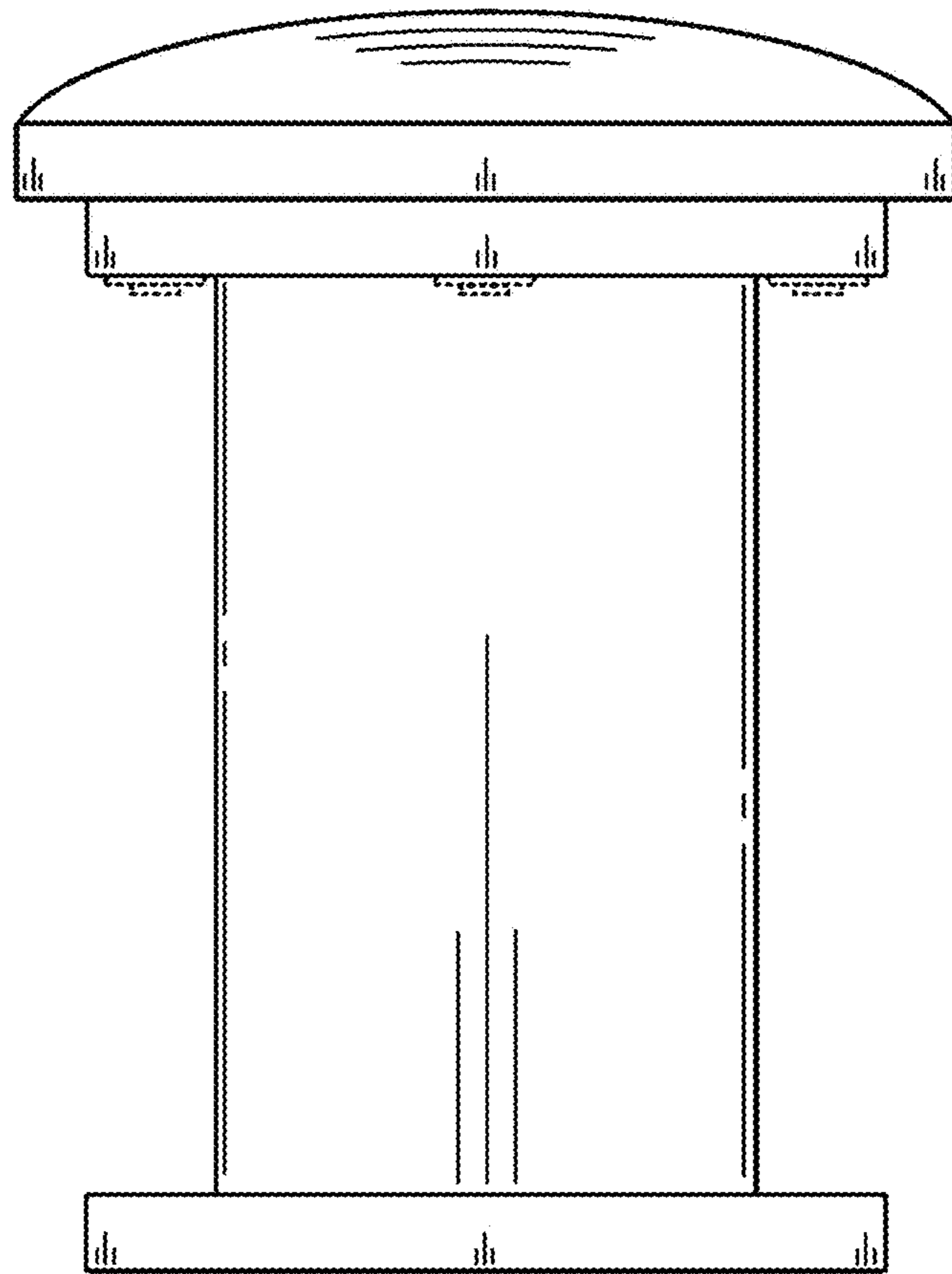


FIG. 6

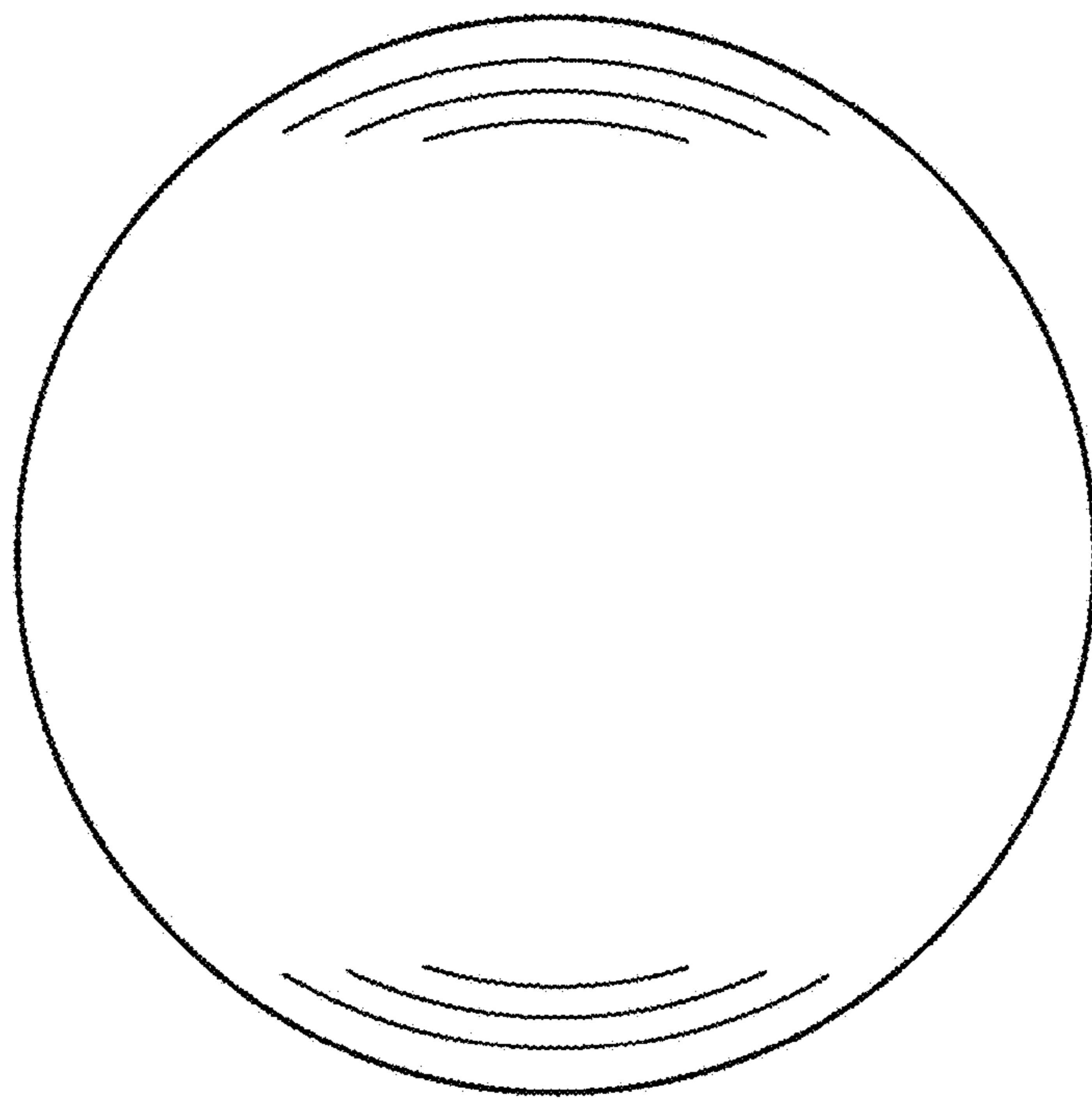


FIG. 7

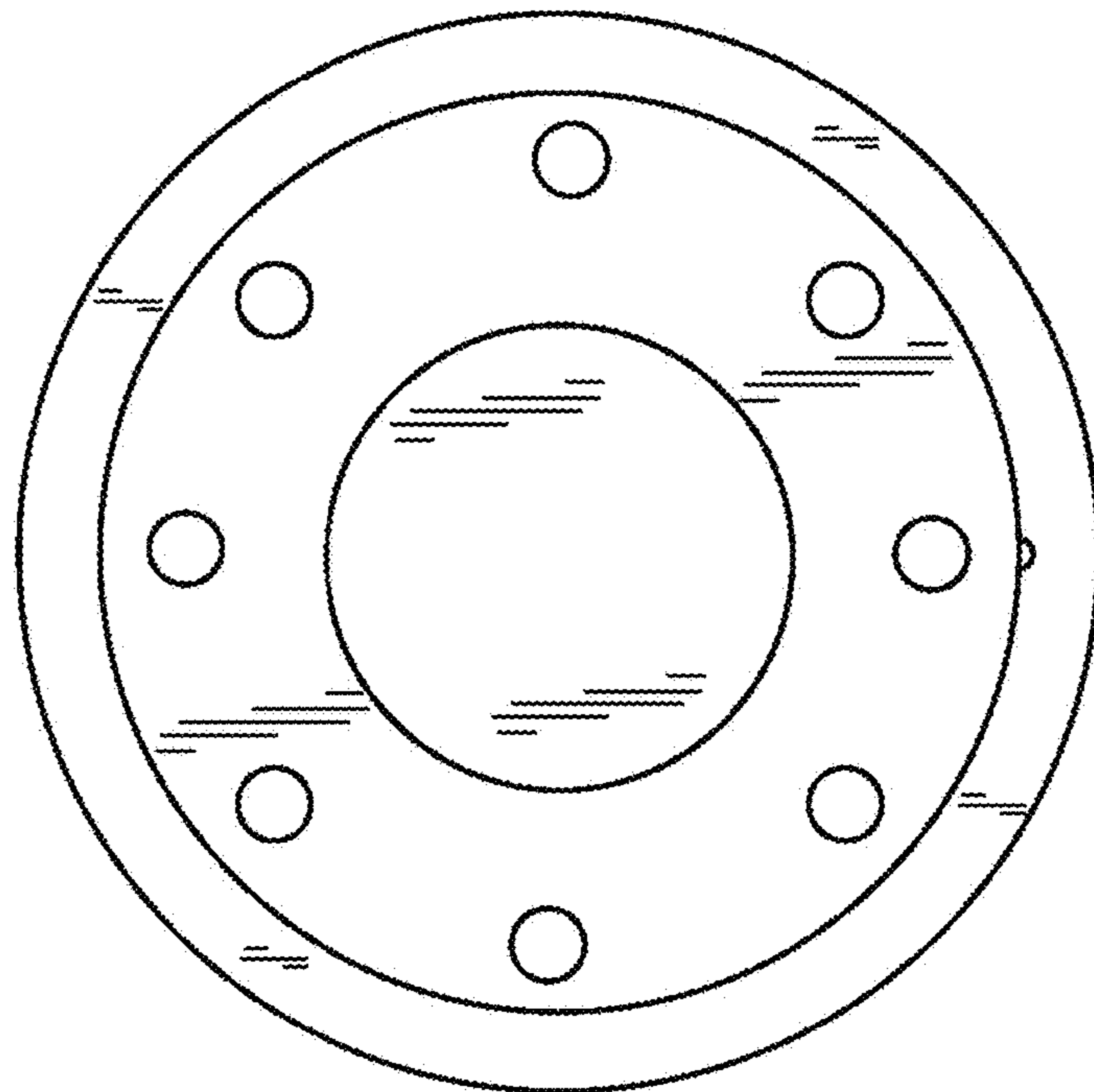


FIG. 8