



US00D853739S

(12) **United States Design Patent** (10) **Patent No.:** **US D853,739 S**
Kaimer et al. (45) **Date of Patent:** **** Jul. 16, 2019**

(54) **HIGH CHAIR FOR BABIES**

(56) **References Cited**

(71) Applicant: **CYBEX GMBH**, Bayreuth (DE)

U.S. PATENT DOCUMENTS

(72) Inventors: **Ludwig Kaimer**, Bayreuth (DE); **Ralf Holleis**, Bayreuth (DE)

D145,781 S * 10/1946 Duer D6/339
D146,347 S * 2/1947 Clairmonte et al. 297/294
D160,633 S * 10/1950 Kvarnstrom D6/339
D197,061 S * 12/1963 Siverstein et al. 182/33.5
4,529,245 A * 7/1985 Kassai A47D 1/002
297/30
D779,842 S * 2/2017 Chuah A47D 1/002
D6/339

(73) Assignee: **CYBEX GMBH**, Bayreuth (DE)

(**) Term: **15 Years**

(21) Appl. No.: **35/503,963**

* cited by examiner

(22) Filed: **May 15, 2017**

Primary Examiner — Mary Ann Calabrese

(80) **Hague Agreement Data**

(74) *Attorney, Agent, or Firm* — Boyle Fredrickson, S.C.

Int. Filing Date: **May 15, 2017**

Int. Reg. No.: **DM/096463**

Int. Reg. Date: **May 15, 2017**

Int. Reg. Pub. Date: **Nov. 17, 2017**

(57) **CLAIM**

The ornamental design for a high chair for babies, as shown and described.

(51) **LOC (11) Cl.** **06-01**

(52) **U.S. Cl.**
USPC **D6/333**

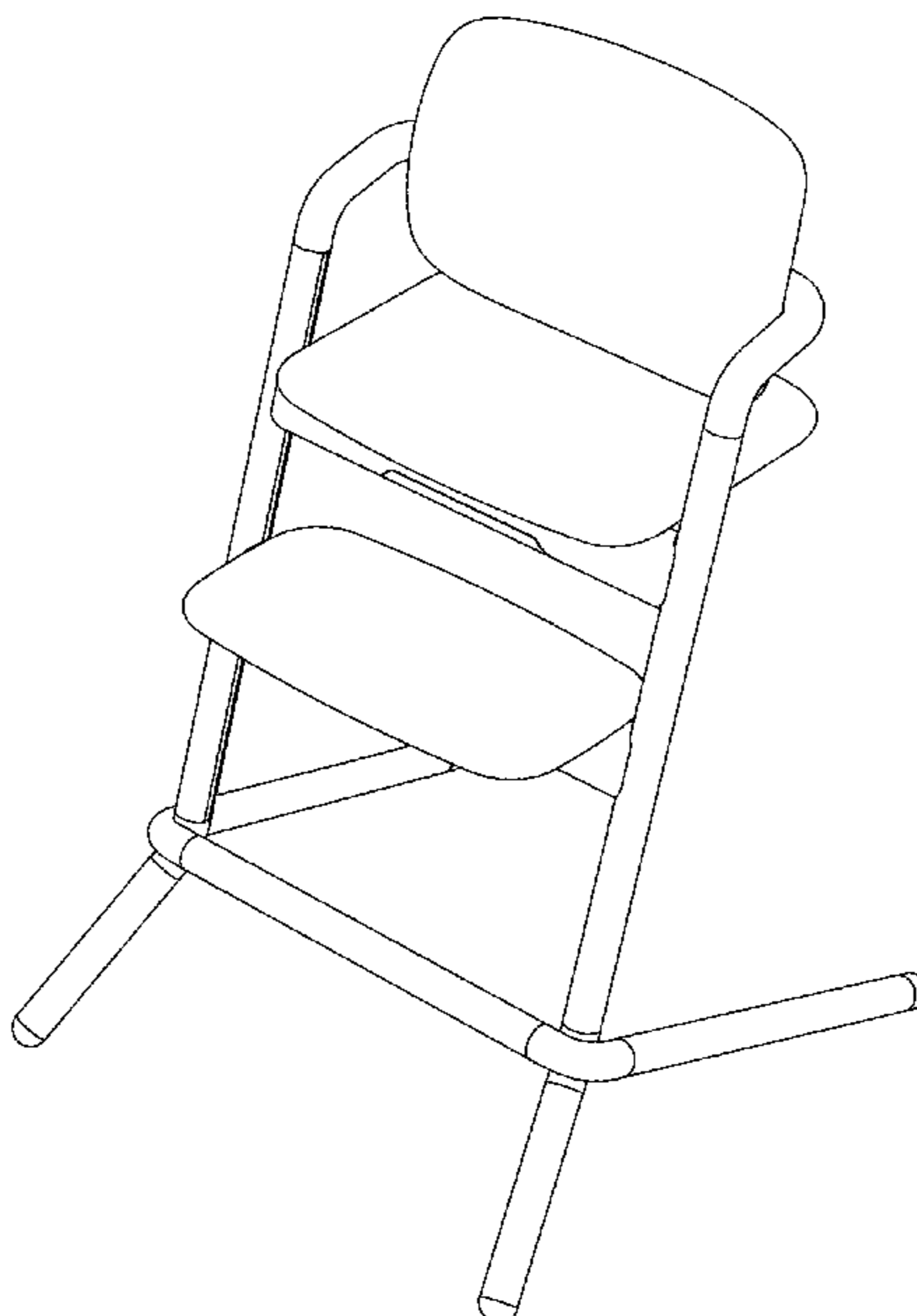
(58) **Field of Classification Search**
USPC D6/333–336, 338, 339, 372, 374, 376,
D6/379
CPC .. A47C 3/00; A47C 3/023; A47C 5/00; A47C
5/04; A47C 5/12; A47C 7/00; A47C 7/02;
A47C 7/16; A47D 1/00; A47D 1/002;
A47D 1/006; A47D 1/008; A47D 1/0081;
A47D 1/0083

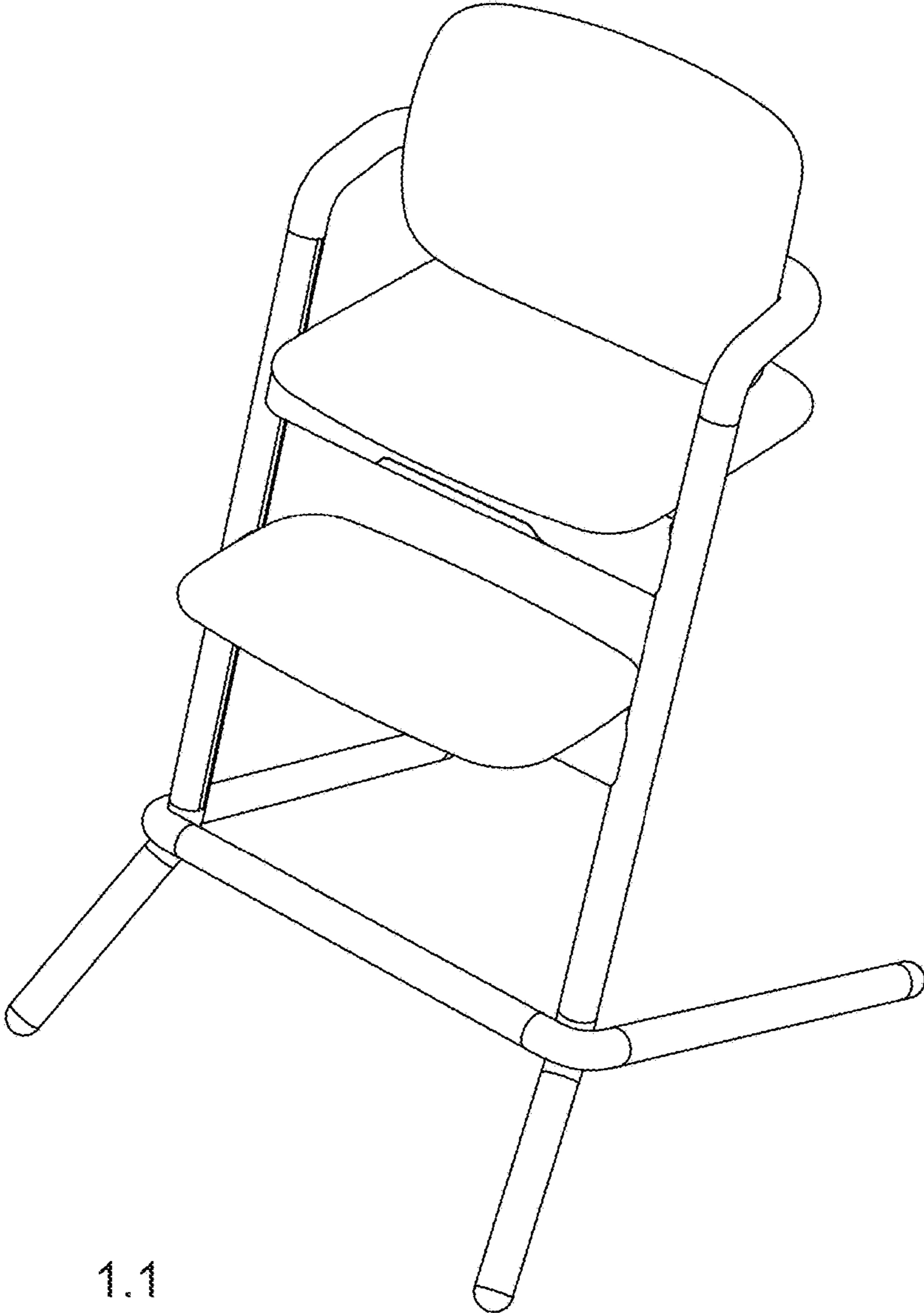
DESCRIPTION

1. High chair for babies
1.1 is a perspective view of a high chair for babies in accordance with my new design
1.2 is a rear elevational view of the chair of **1.1**;
1.3 is a side elevational view of a first side of the chair of **1.1**;
1.4 is a side elevational view of a second side of the chair of **1.1**;
1.5 is a front elevational view of the chair of **1.1**;
1.6 is a bottom plan view of the chair of **1.1**; and
1.7 is a top plan view of the chair of **1.1**.

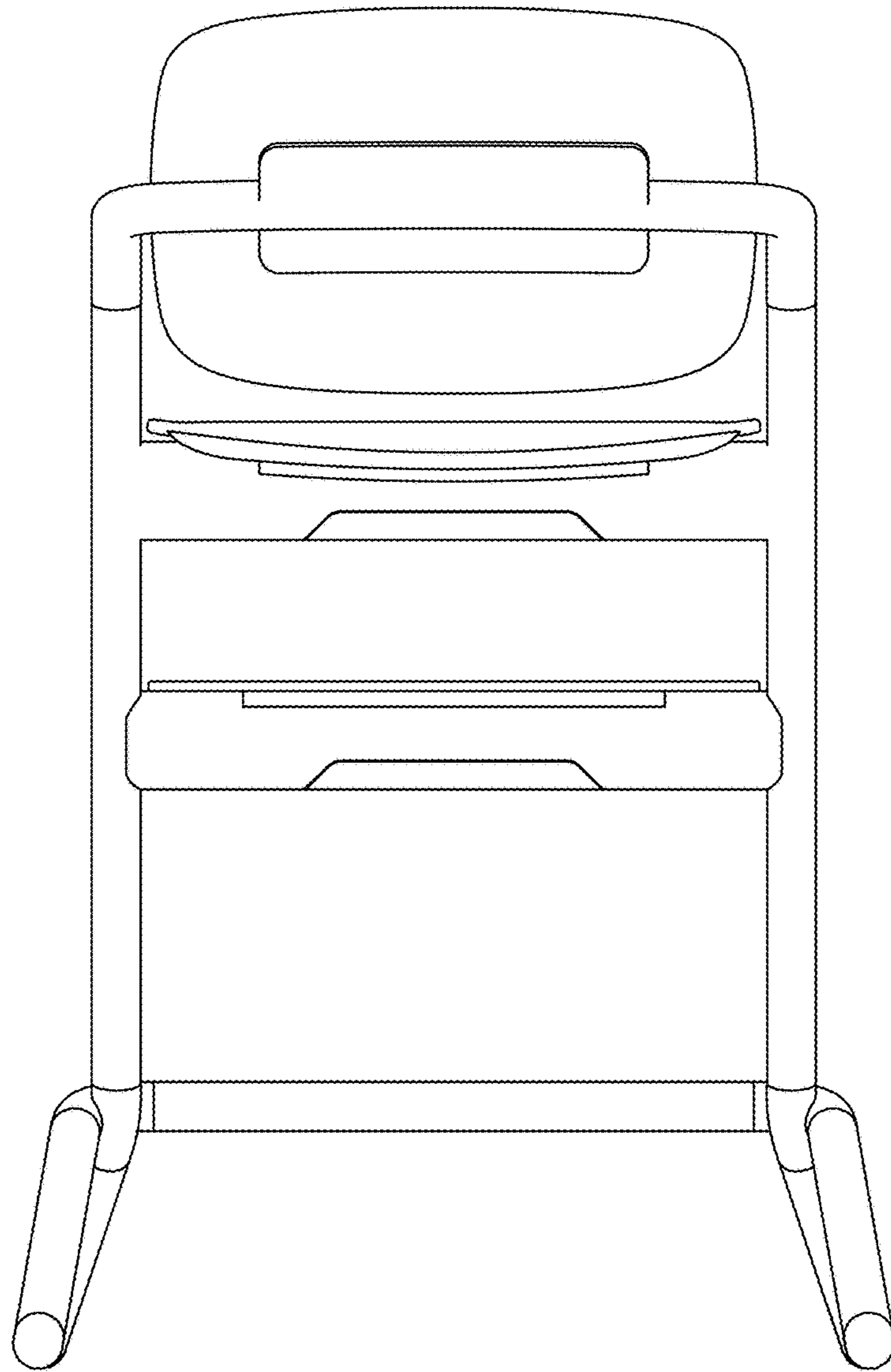
See application file for complete search history.

1 Claim, 7 Drawing Sheets

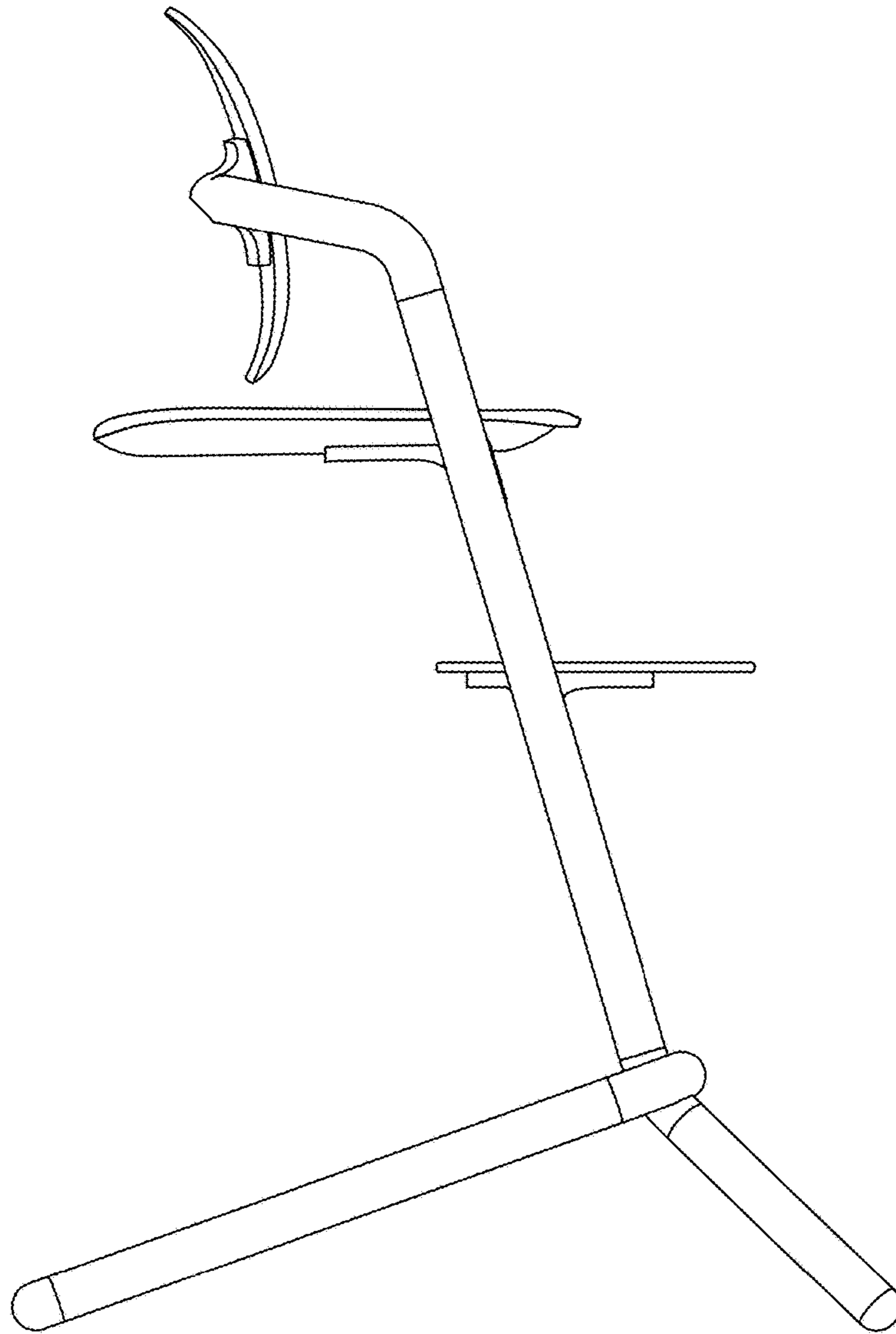




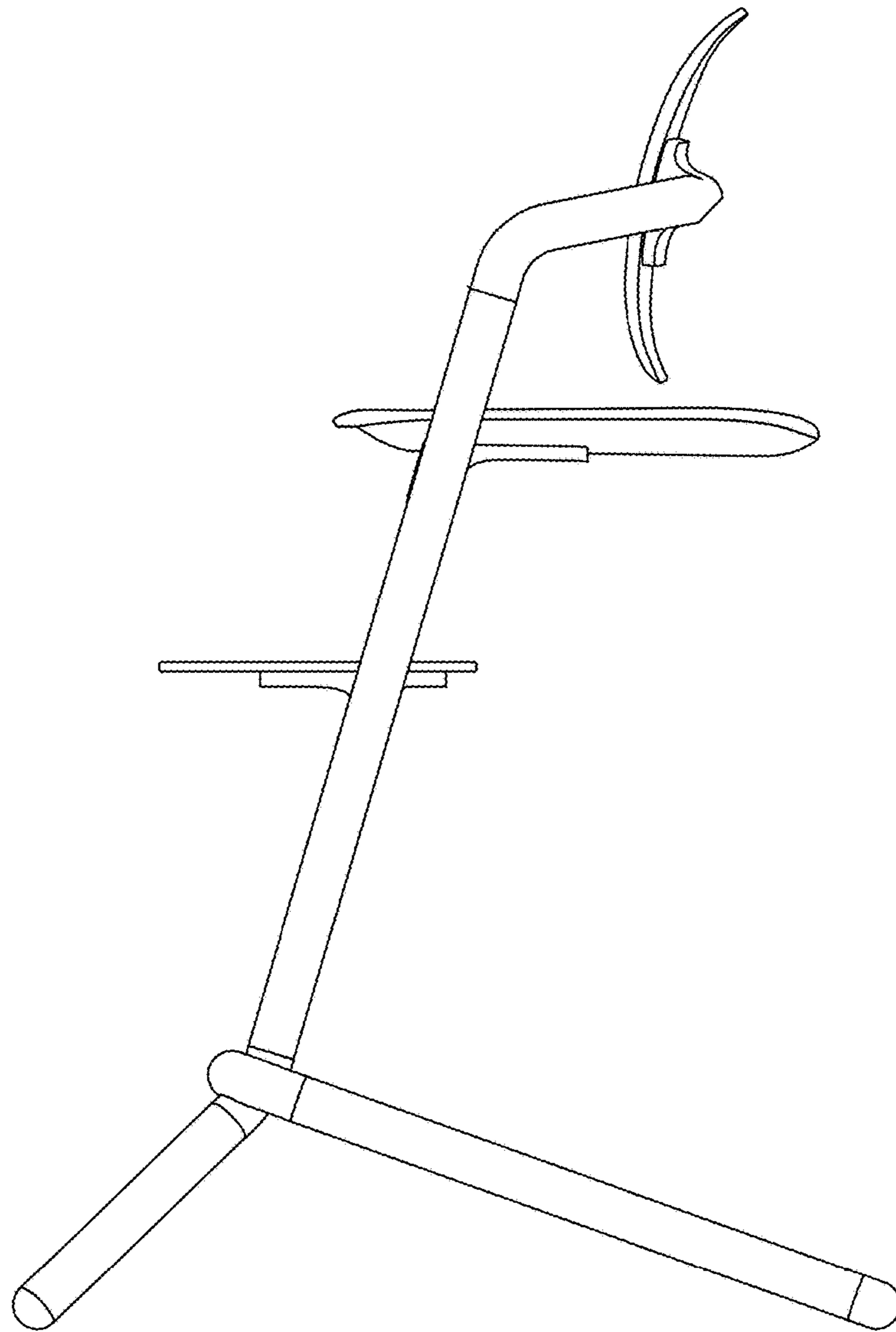
1.1



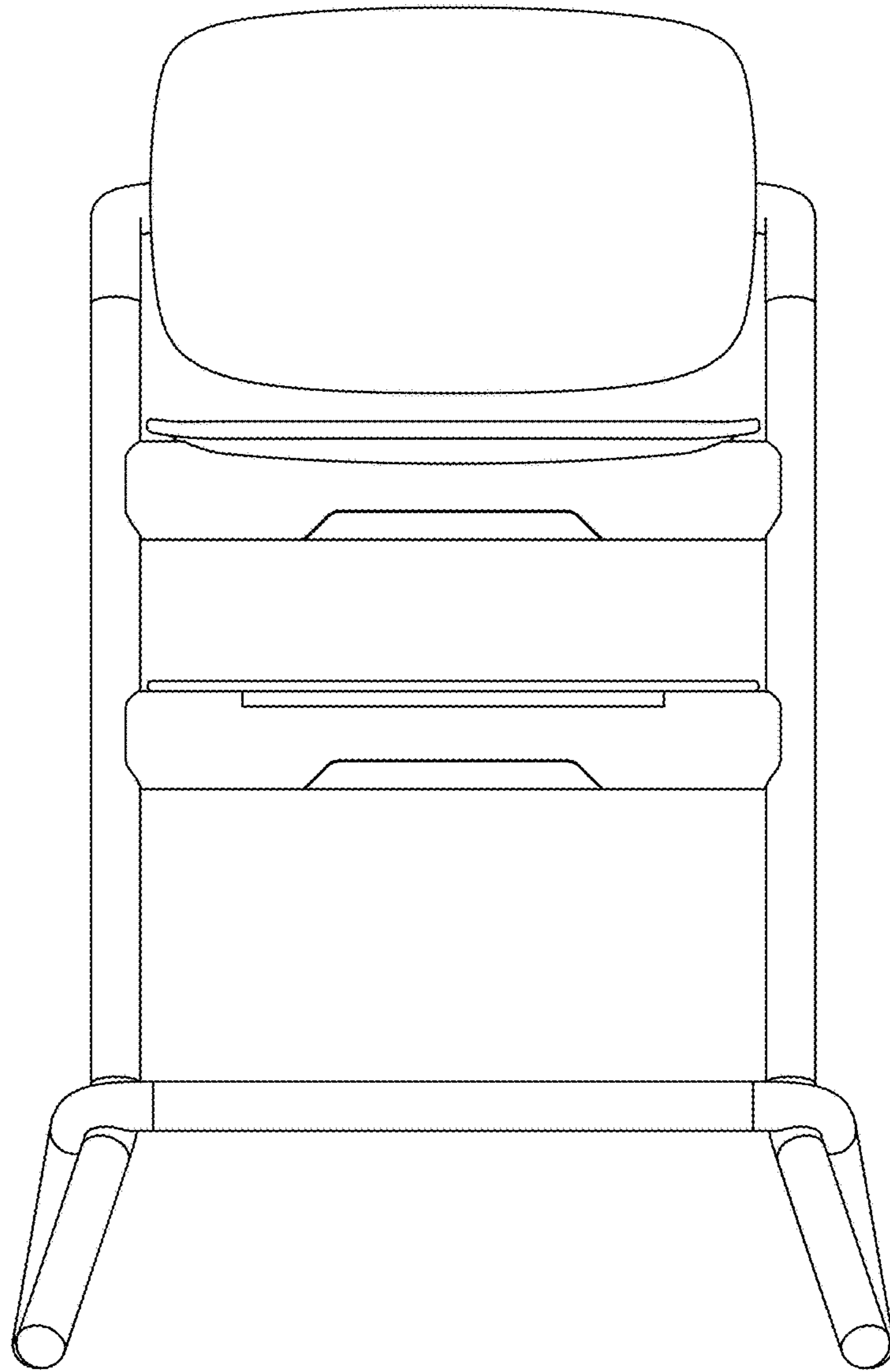
1.2



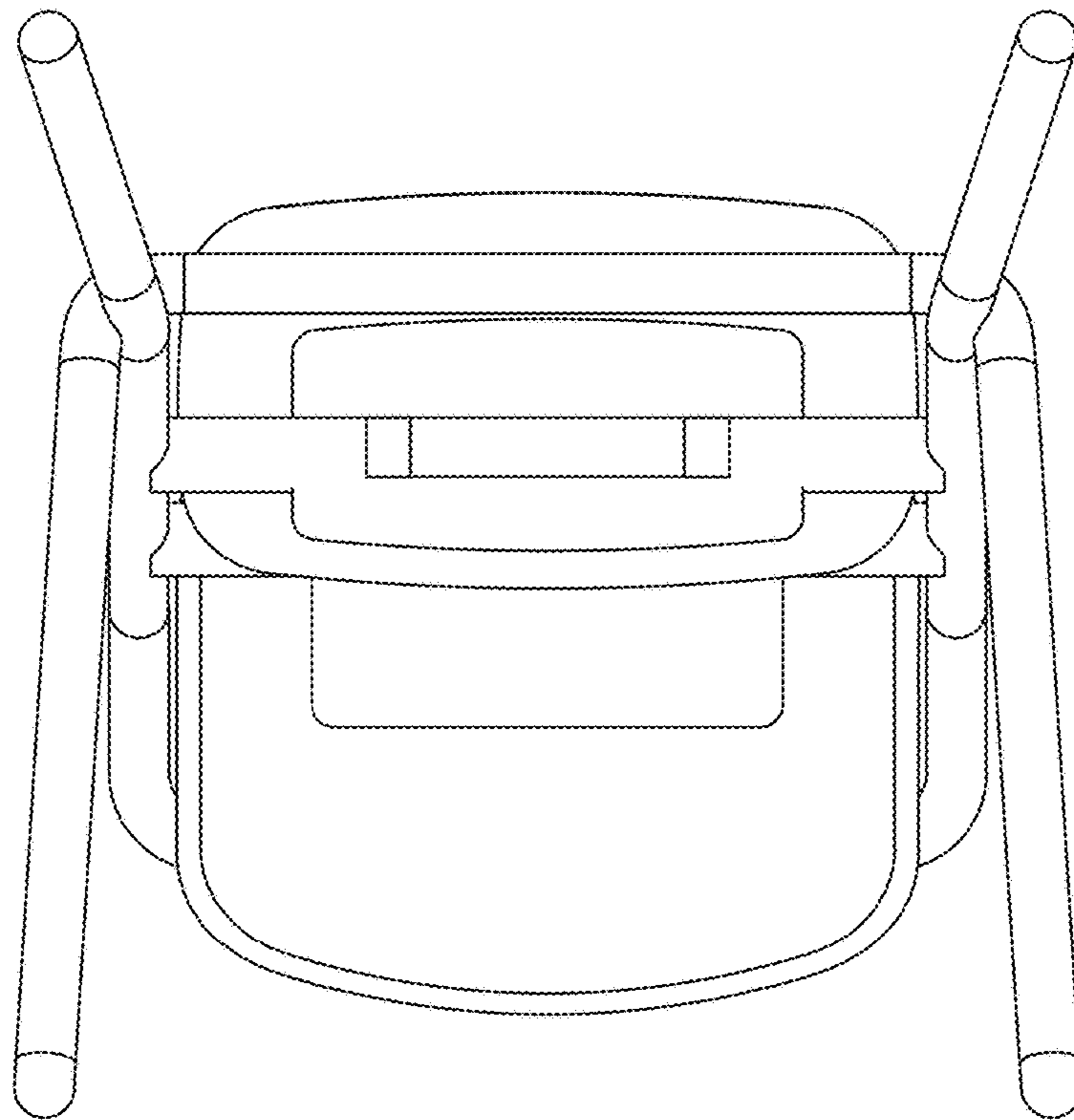
1.3



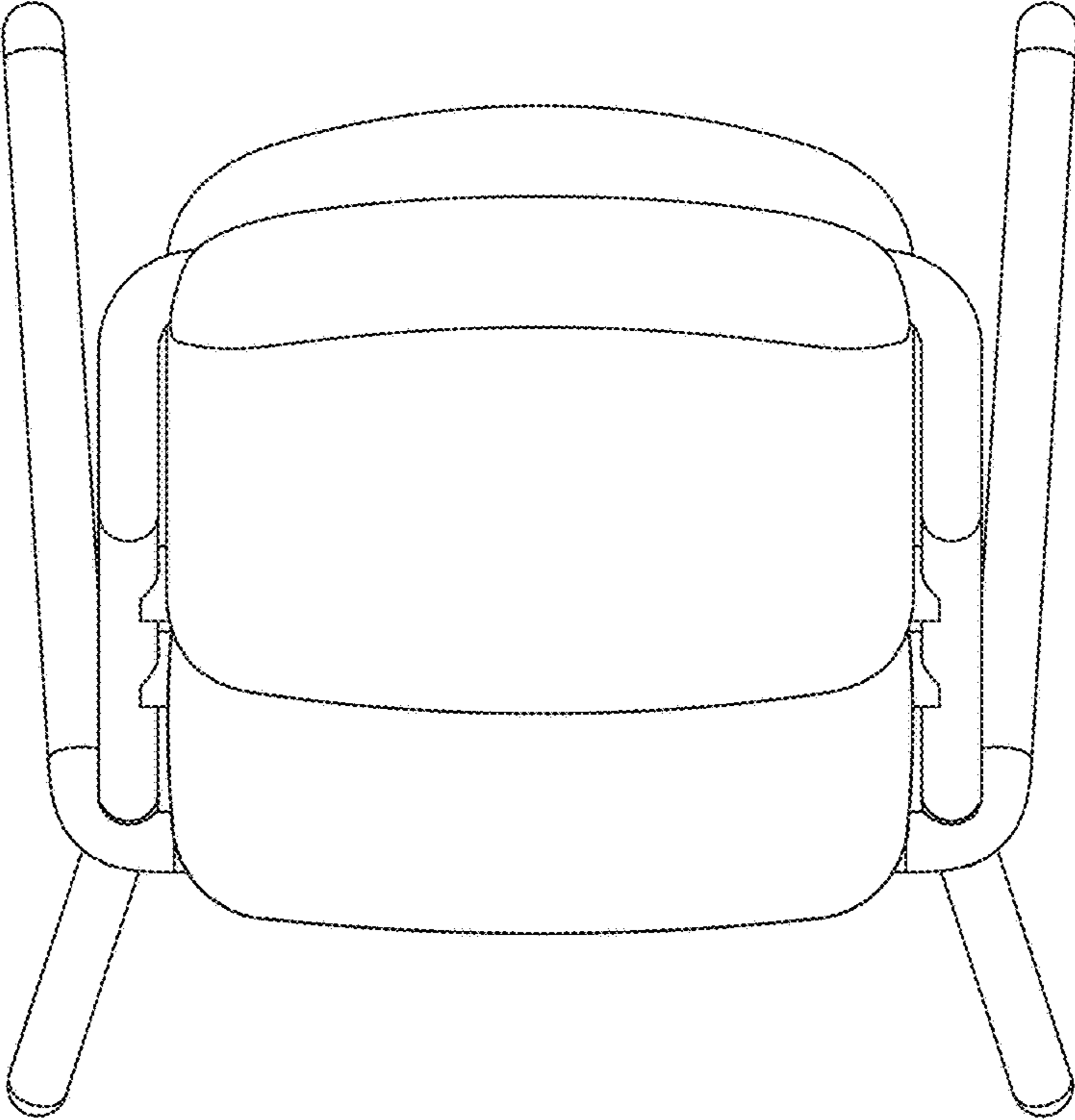
1.4



1.5



1.6



1.7