

US00D853737S

(12) **United States Design Patent** (10) **Patent No.:** **US D853,737 S**  
**Wolfe** (45) **Date of Patent:** **\*\* Jul. 16, 2019**

(54) **CLOTHES HANGER**  
(71) Applicant: **Zachary David Wolfe**, Houston, TX  
(US)  
(72) Inventor: **Zachary David Wolfe**, Houston, TX  
(US)  
(\*\*) Term: **15 Years**  
(21) Appl. No.: **29/648,988**  
(22) Filed: **May 25, 2018**  
(51) **LOC (11) Cl.** ..... **06-08**  
(52) **U.S. Cl.**  
USPC ..... **D6/319**  
(58) **Field of Classification Search**  
USPC ..... D6/315-328  
CPC ..... A47G 25/32; A47G 25/26; A47G 25/28;  
A47G 25/485; A47G 25/487; A47G  
25/20; A47G 25/481; A47G 25/442;  
A47G 25/24; A47G 25/48; A47G 25/486;  
A47G 25/36; A47G 25/1407; A47G  
25/30; A47G 25/14; A47G 25/743; A47G  
25/1457  
See application file for complete search history.

(56) **References Cited**  
U.S. PATENT DOCUMENTS  
3,054,540 A \* 9/1962 Wylie ..... A47G 25/403  
223/95  
D236,572 S \* 9/1975 Ostroll ..... D6/326  
4,223,817 A \* 9/1980 Hazenveld ..... A47G 25/625  
223/94

4,923,102 A \* 5/1990 Agathangelou ..... A47G 25/625  
223/95  
D324,781 S \* 3/1992 Uke ..... D6/315  
D324,782 S \* 3/1992 Pedersen ..... D6/317  
D342,612 S \* 12/1993 McIntyre ..... D6/315  
D412,405 S \* 8/1999 Webb ..... D6/315  
7,219,821 B2 \* 5/2007 Weal ..... A47G 25/005  
223/85  
D716,563 S \* 11/2014 Lee ..... D6/318  
D782,832 S \* 4/2017 Macias ..... D6/315  
9,930,984 B1 \* 4/2018 Holmes ..... A47G 25/36  
D819,345 S \* 6/2018 Wolfe ..... D6/319

\* cited by examiner

*Primary Examiner* — Lauren R Calve  
(74) *Attorney, Agent, or Firm* — Dunlap Bennett &  
Ludwig PLLC

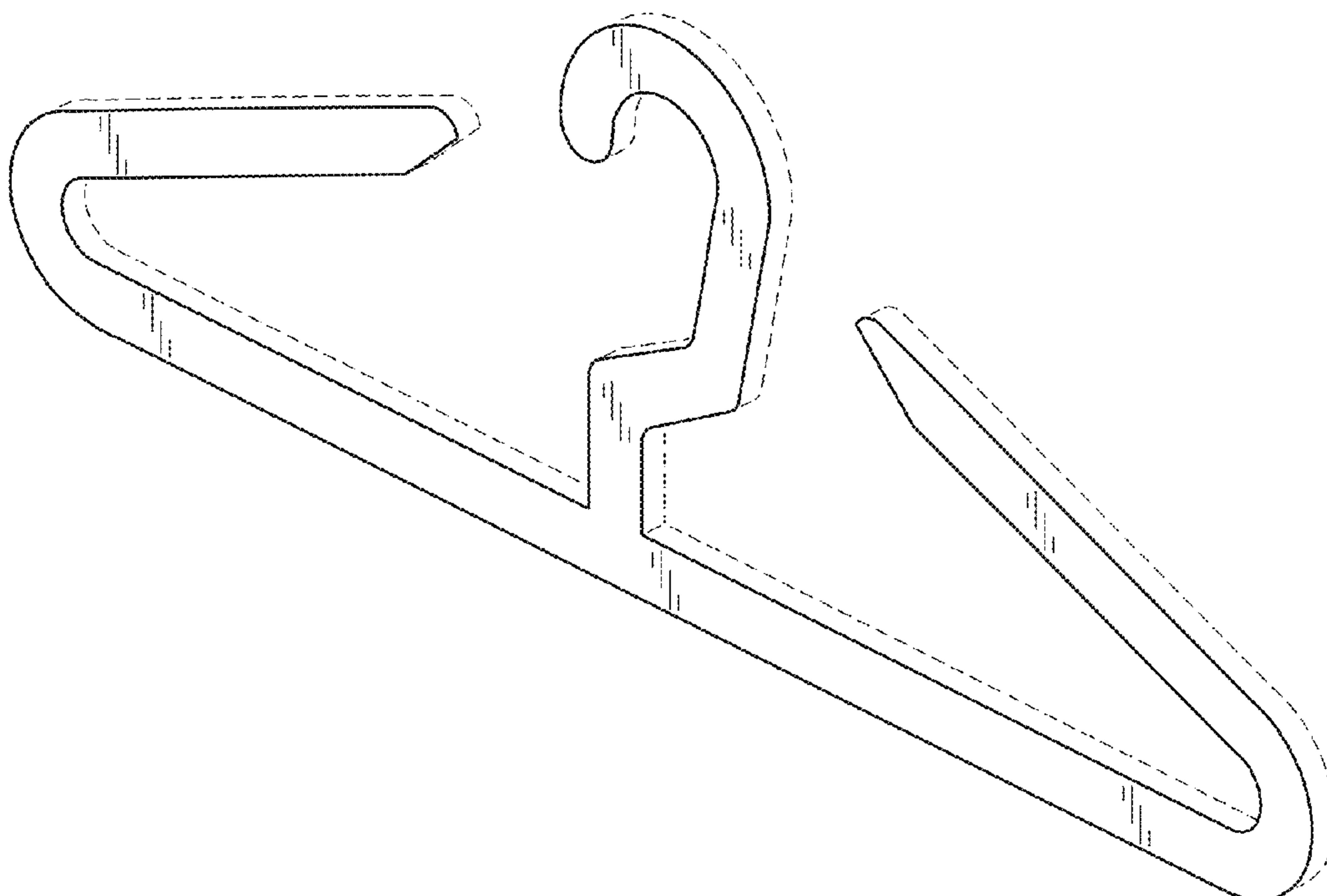
(57) **CLAIM**

The ornamental design for a clothes hanger, as shown and described.

**DESCRIPTION**

FIG. 1 is a front perspective view of a clothes hanger, showing my new design  
FIG. 2 is a front elevation view thereof;  
FIG. 3 is a rear elevation view thereof;  
FIG. 4 is a left elevation view thereof;  
FIG. 5 is a right side elevation view thereof;  
FIG. 6 is a top plan view thereof; and,  
FIG. 7 is a bottom plan view thereof.  
The broken lines shown in the drawings depict portions of the clothes hanger that form no part of the claimed design.

**1 Claim, 3 Drawing Sheets**



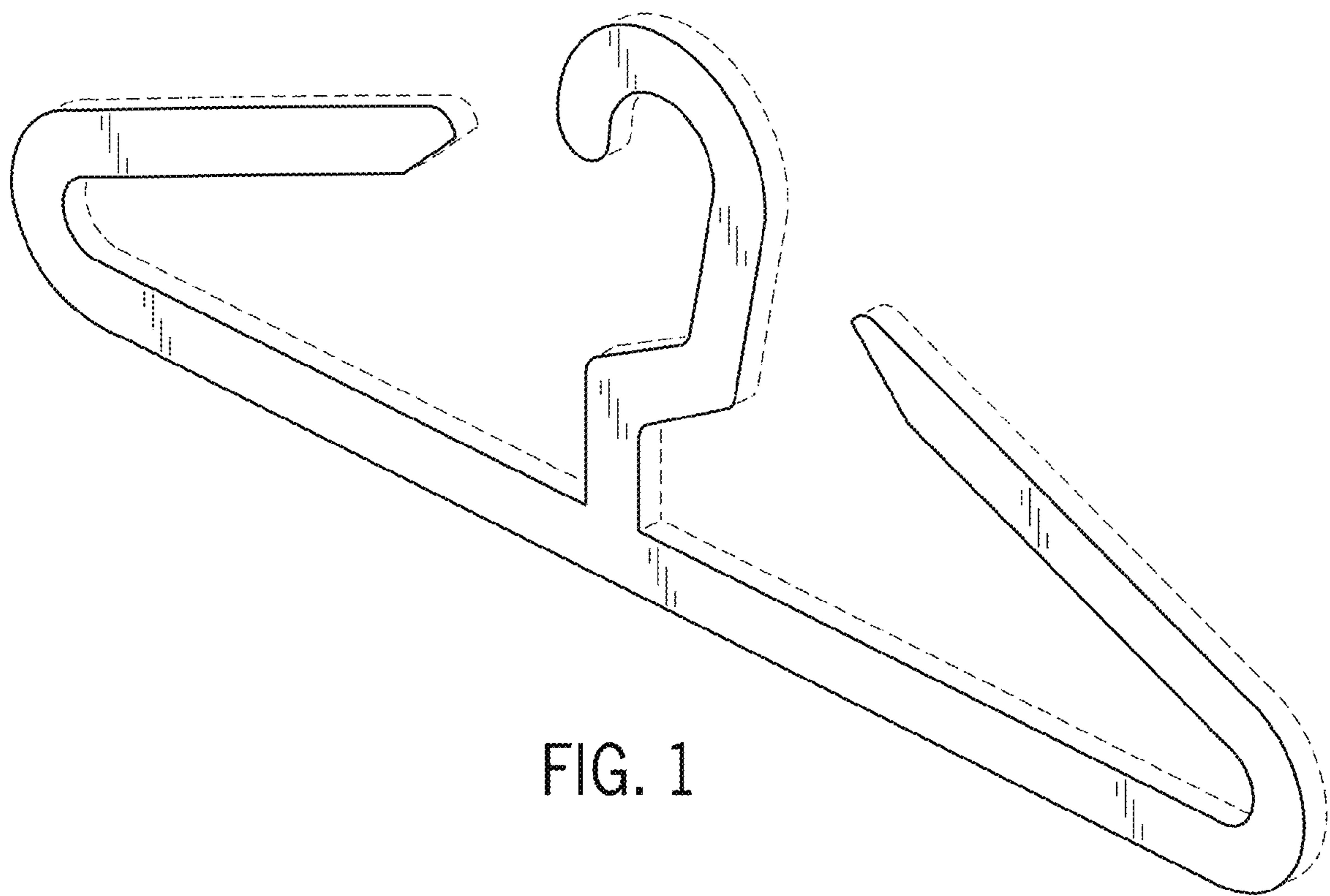


FIG. 1

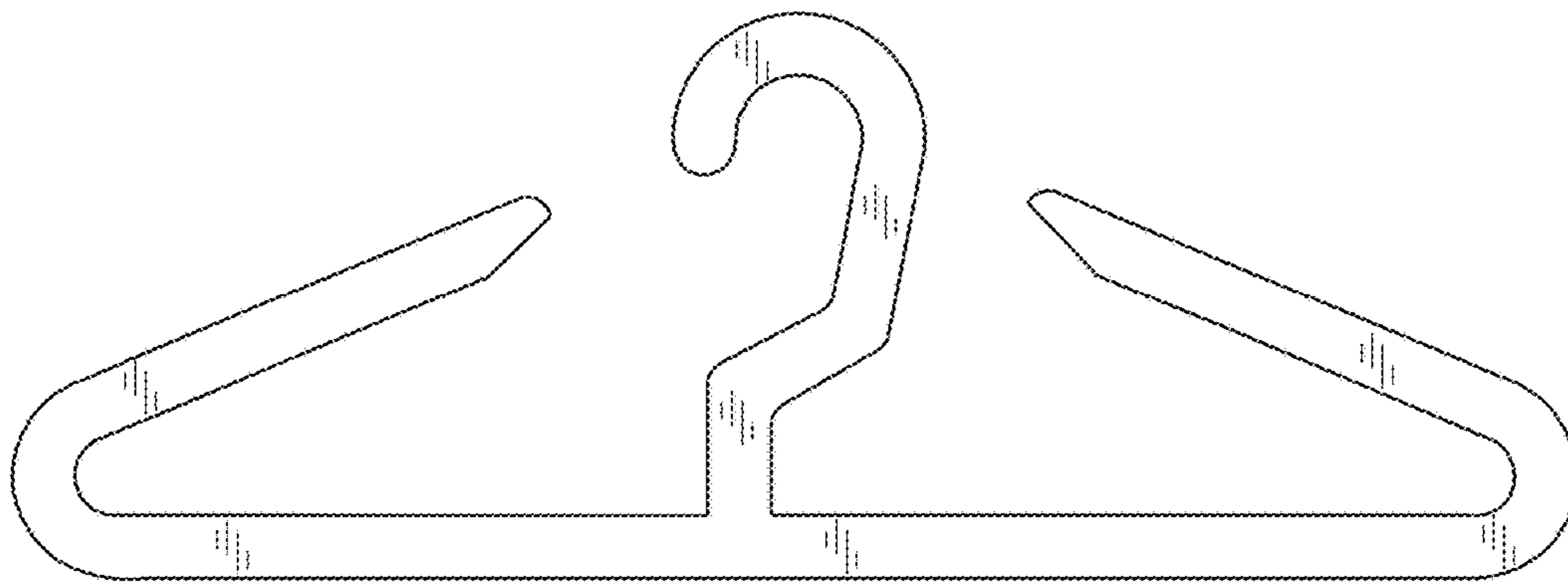


FIG. 2

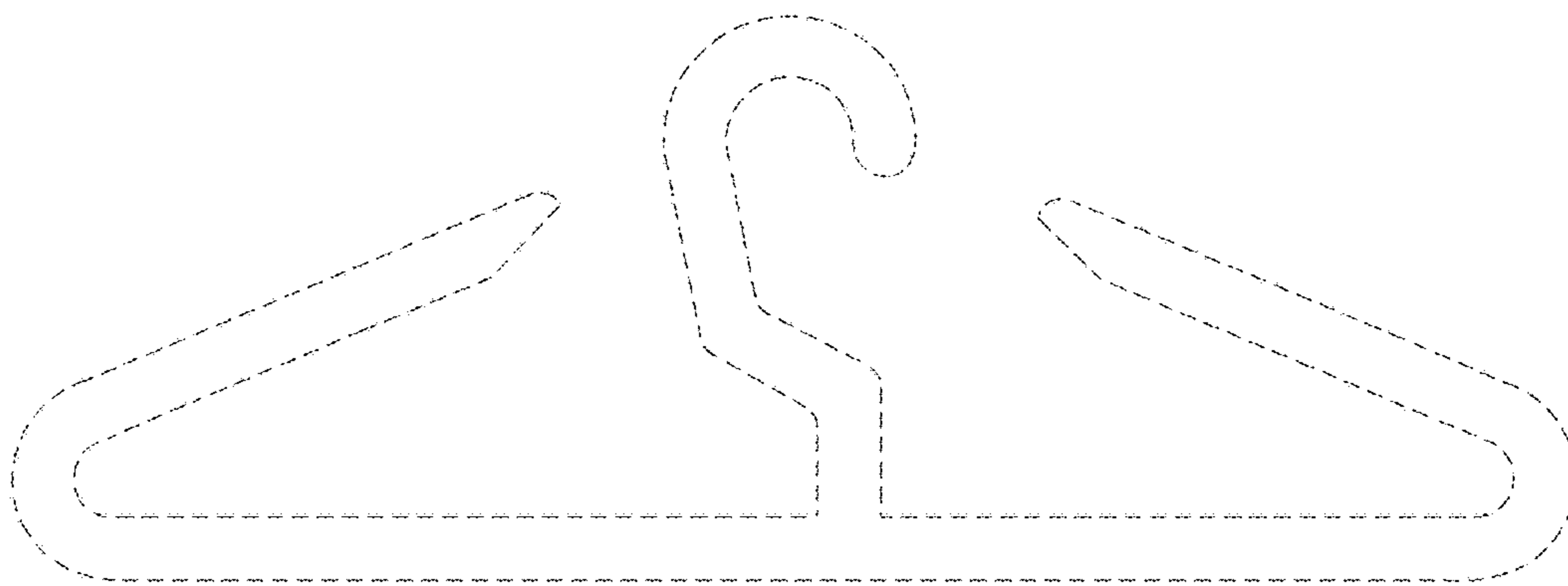


FIG. 3

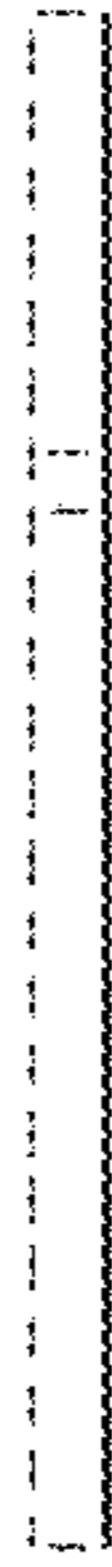


FIG. 4



FIG. 5



FIG. 6

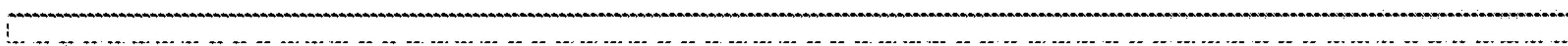


FIG. 7