



US00D853736S

(12) **United States Design Patent**
Long

(10) **Patent No.:** **US D853,736 S**

(45) **Date of Patent:** **** Jul. 16, 2019**

(54) **MAKEUP MIRROR**

(71) Applicant: **Timeless Makeup Mirror, LLC**,
Hobbs, NM (US)

(72) Inventor: **Rebecca Long**, Hobbs, NM (US)

(73) Assignee: **TIMELESS MAKEUP MIRROR, LLC**,
Hobbs, NM (US)

(**) Term: **15 Years**

(21) Appl. No.: **29/609,126**

(22) Filed: **Jun. 28, 2017**

(51) **LOC (11) Cl.** **06-07**

(52) **U.S. Cl.**
USPC **D6/310**

(58) **Field of Classification Search**
USPC D6/300-314
CPC ... A47G 1/00; A47G 1/02; A47G 1/06; A47G
1/0616; A47G 1/14; A47G 1/141; A45D
42/00; A45D 42/08; A45D 42/14; A45D
42/16; A45D 42/10
See application file for complete search history.

(56) **References Cited**

U.S. PATENT DOCUMENTS

D212,346 S *	10/1968	Shea	D6/309
5,566,030 A *	10/1996	Yue	A45D 42/00 248/467
6,206,530 B1 *	3/2001	Eberts	A45D 42/08 359/879
D442,371 S *	5/2001	Eberts	D6/308
D454,701 S *	3/2002	Eric	D6/308

D470,665 S *	2/2003	Harris	D6/312
D506,319 S *	6/2005	Chan	D6/310
D524,469 S *	7/2006	Pitot	D26/37
D532,981 S *	12/2006	Zadro	D6/310
D546,564 S *	7/2007	Lo	D6/300
D549,968 S *	9/2007	Pitot	D6/312
D589,267 S *	3/2009	Pitot	D6/308
D639,077 S *	6/2011	DeBretton Gordon	D6/310
D661,910 S *	6/2012	Yang	D6/312
D825,204 S *	8/2018	Umholtz	D6/300

* cited by examiner

Primary Examiner — Deanna L Pratt

(74) *Attorney, Agent, or Firm* — Dickinson Wright PLLC;
Kristopher Lance Anderson

(57) **CLAIM**

The ornamental design for a makeup mirror, substantially as shown and described.

DESCRIPTION

FIG. 1 is a perspective view of the front of a makeup mirror showing my design.

FIG. 2 is a perspective view of the rear of FIG. 1.

FIG. 3 is a front view of FIG. 1.

FIG. 4 is a rear view of FIG. 1.

FIG. 5 is a right side view of FIG. 1.

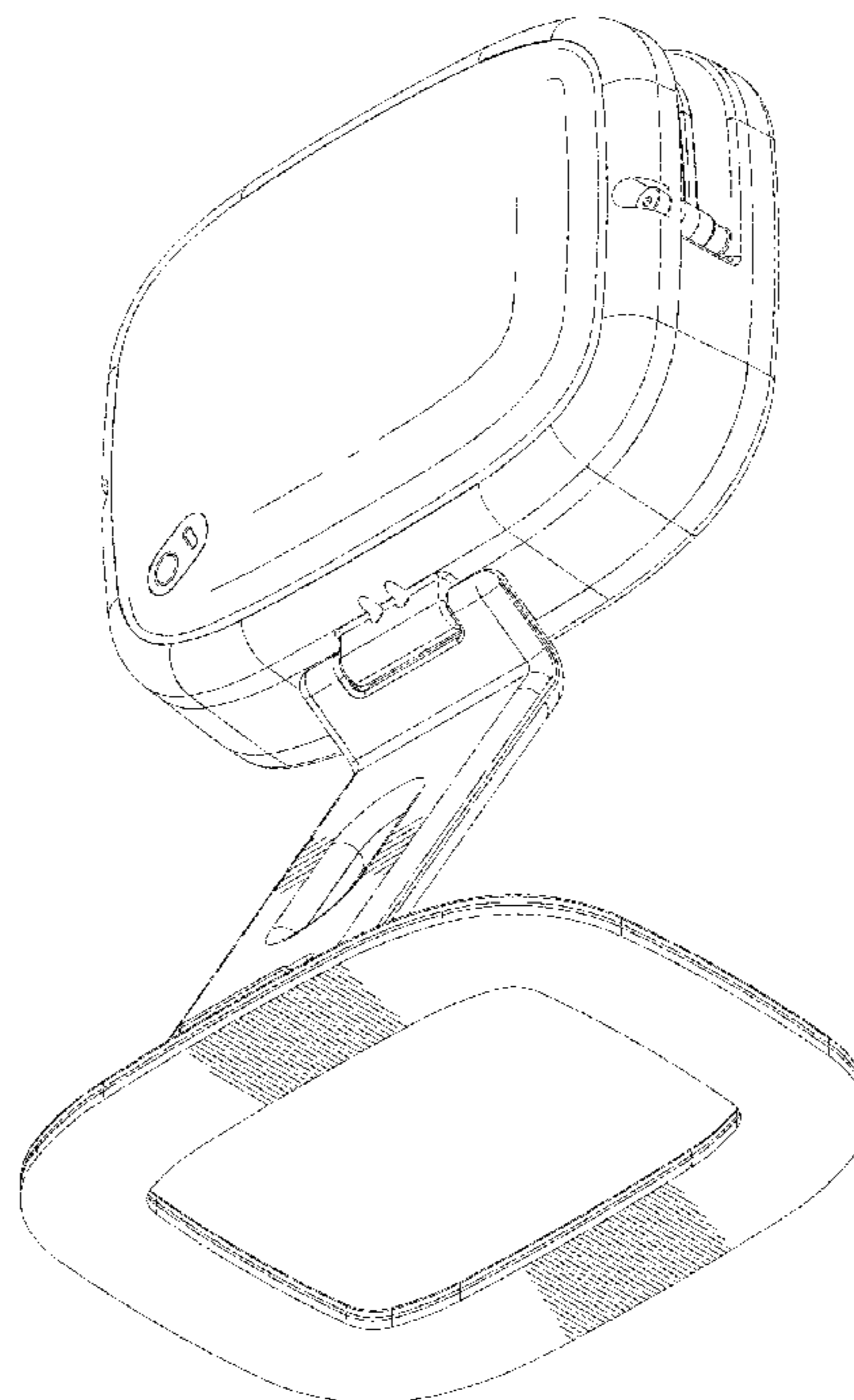
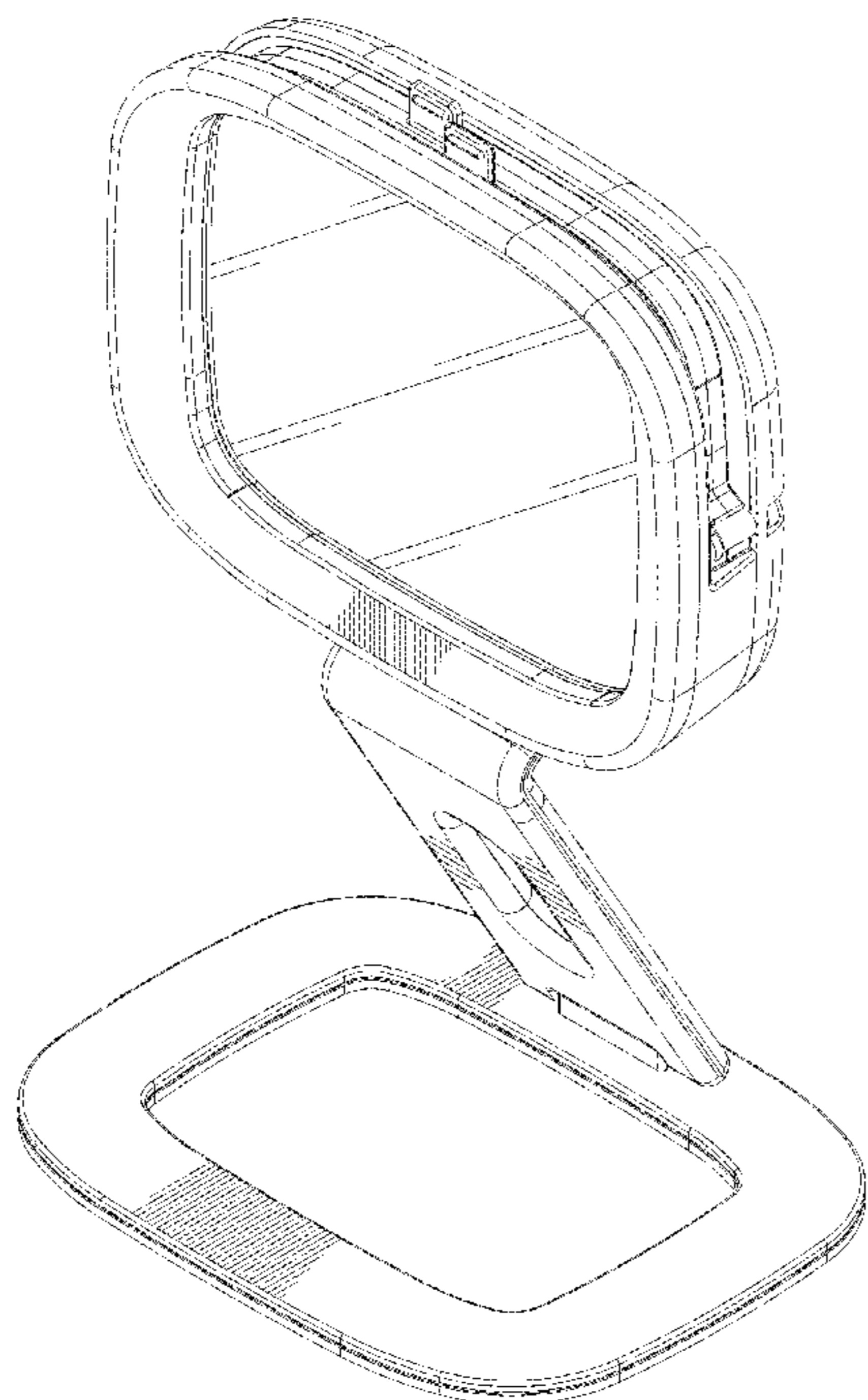
FIG. 6 is a left side view of FIG. 1.

FIG. 7 is a top view of FIG. 1; and,

FIG. 8 is a bottom view of FIG. 1.

Portions of the article shown in broken lines form no part of the claimed design.

1 Claim, 7 Drawing Sheets



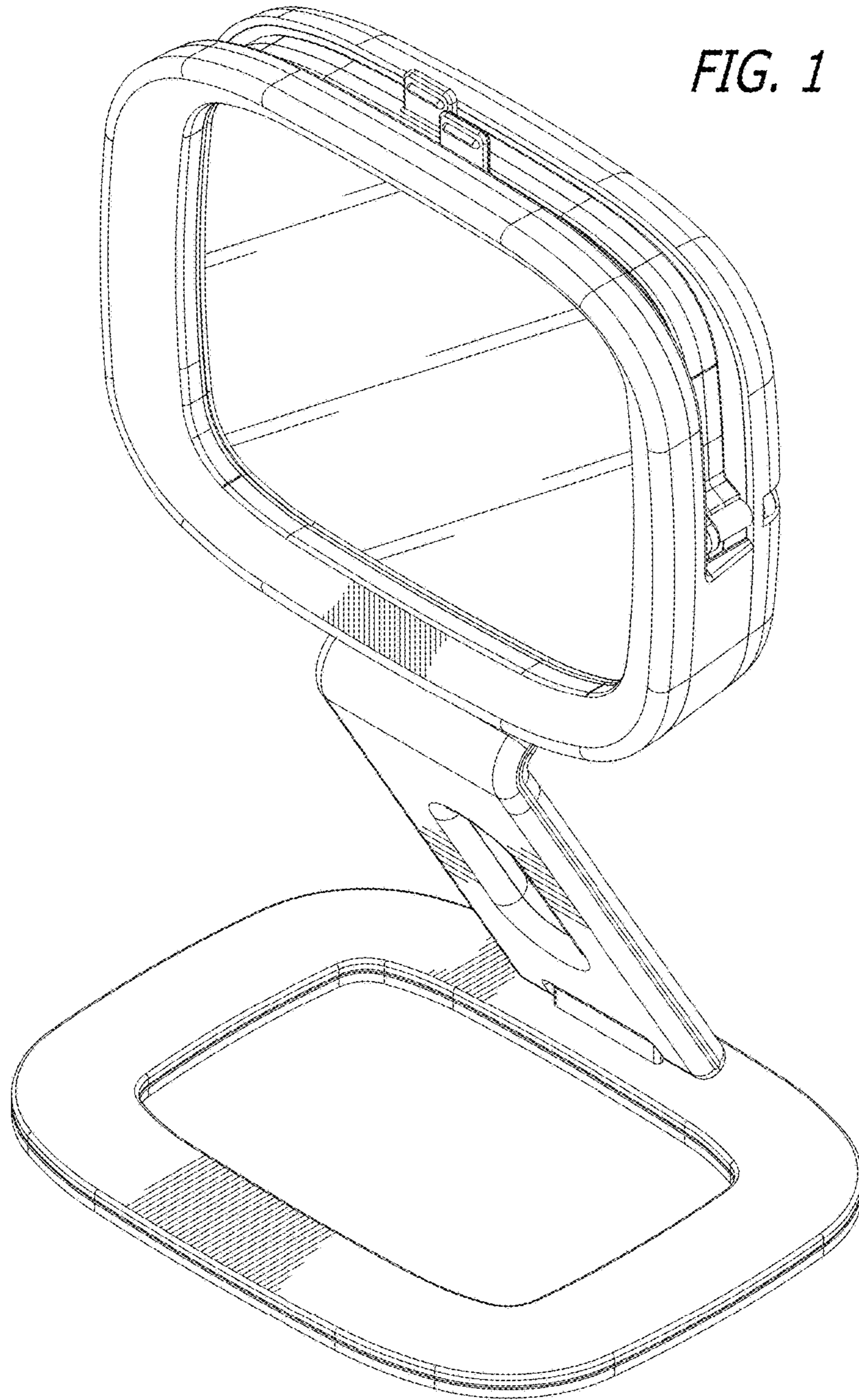


FIG. 2

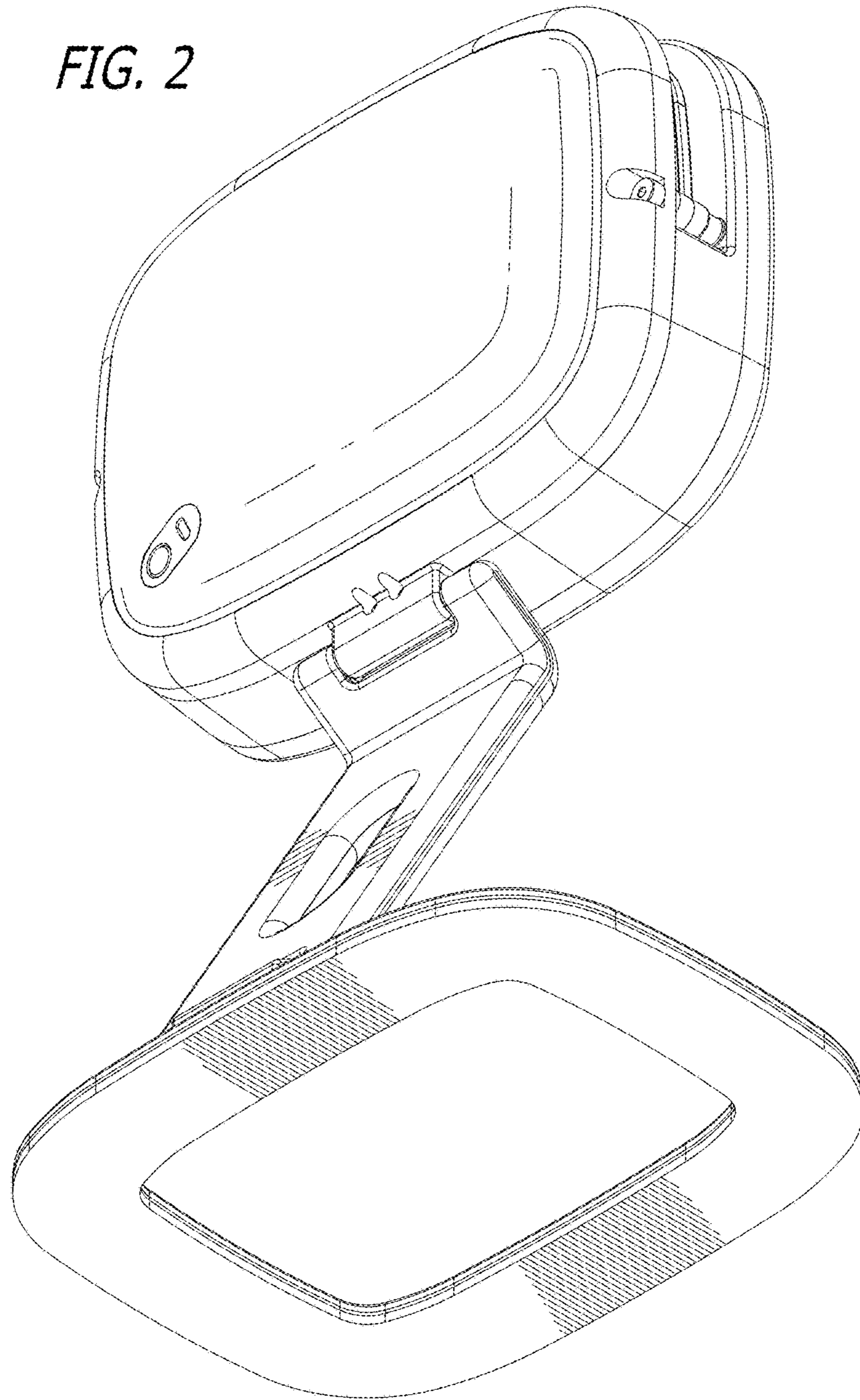


FIG. 3

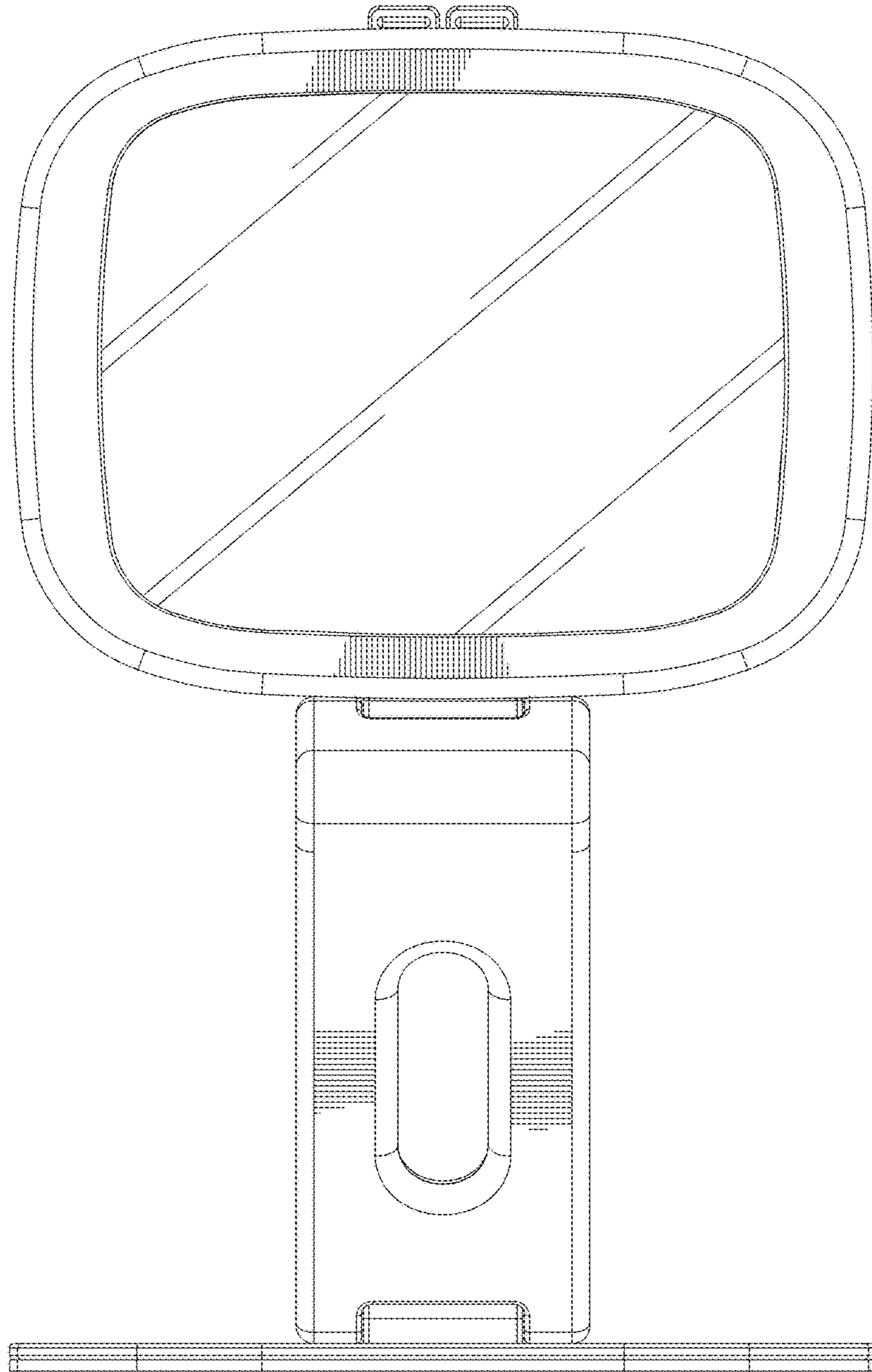
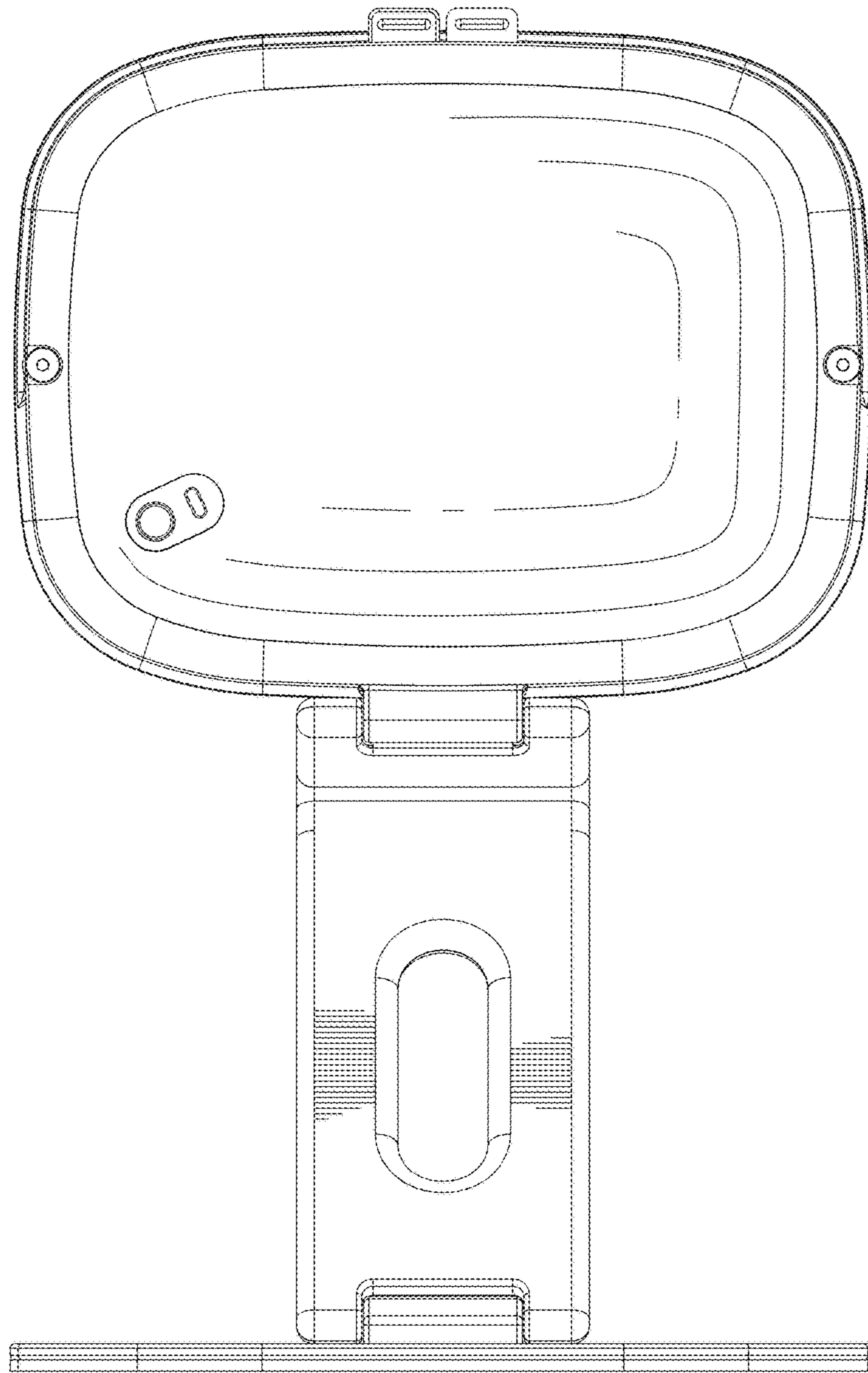


FIG. 4



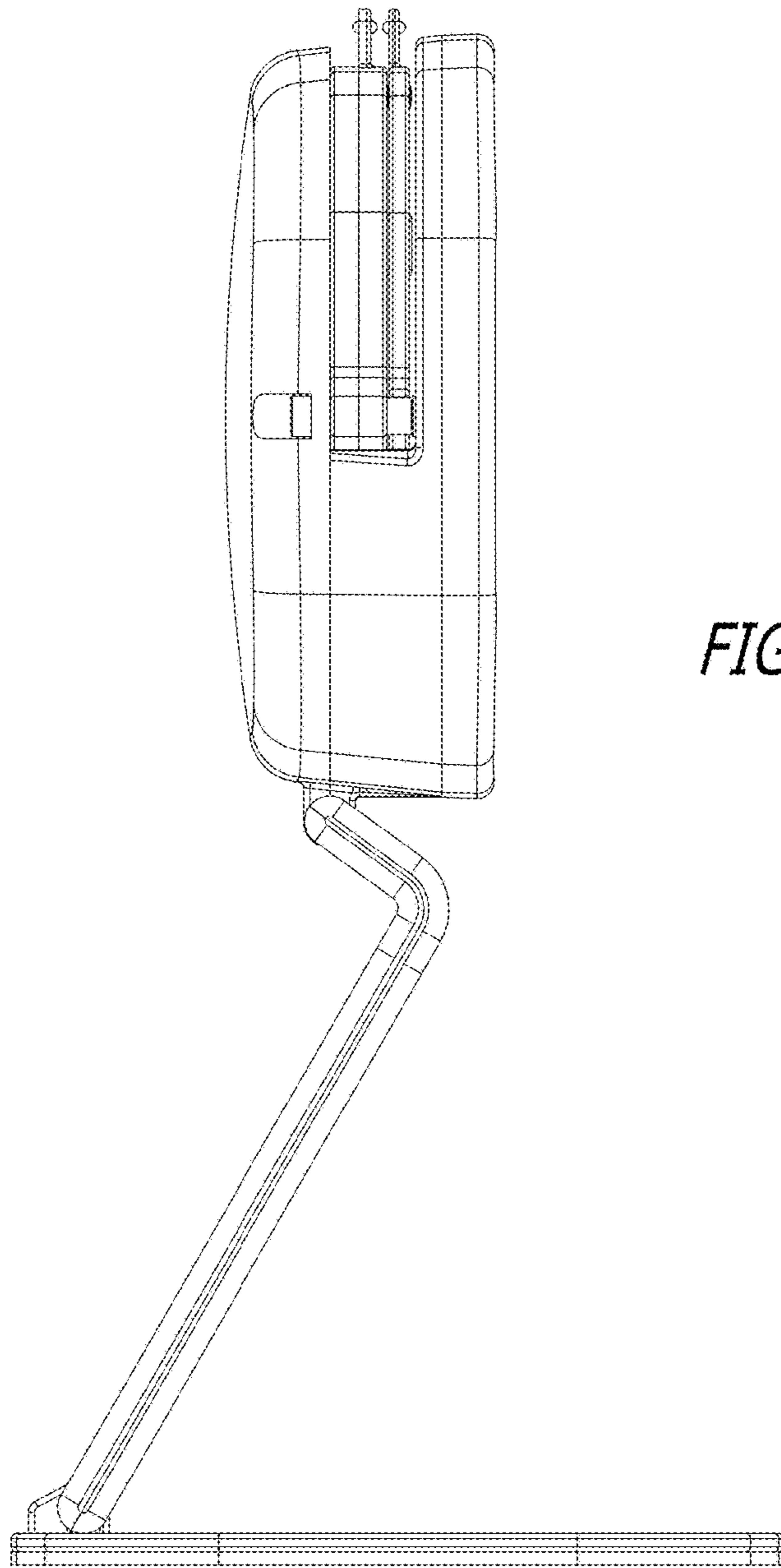
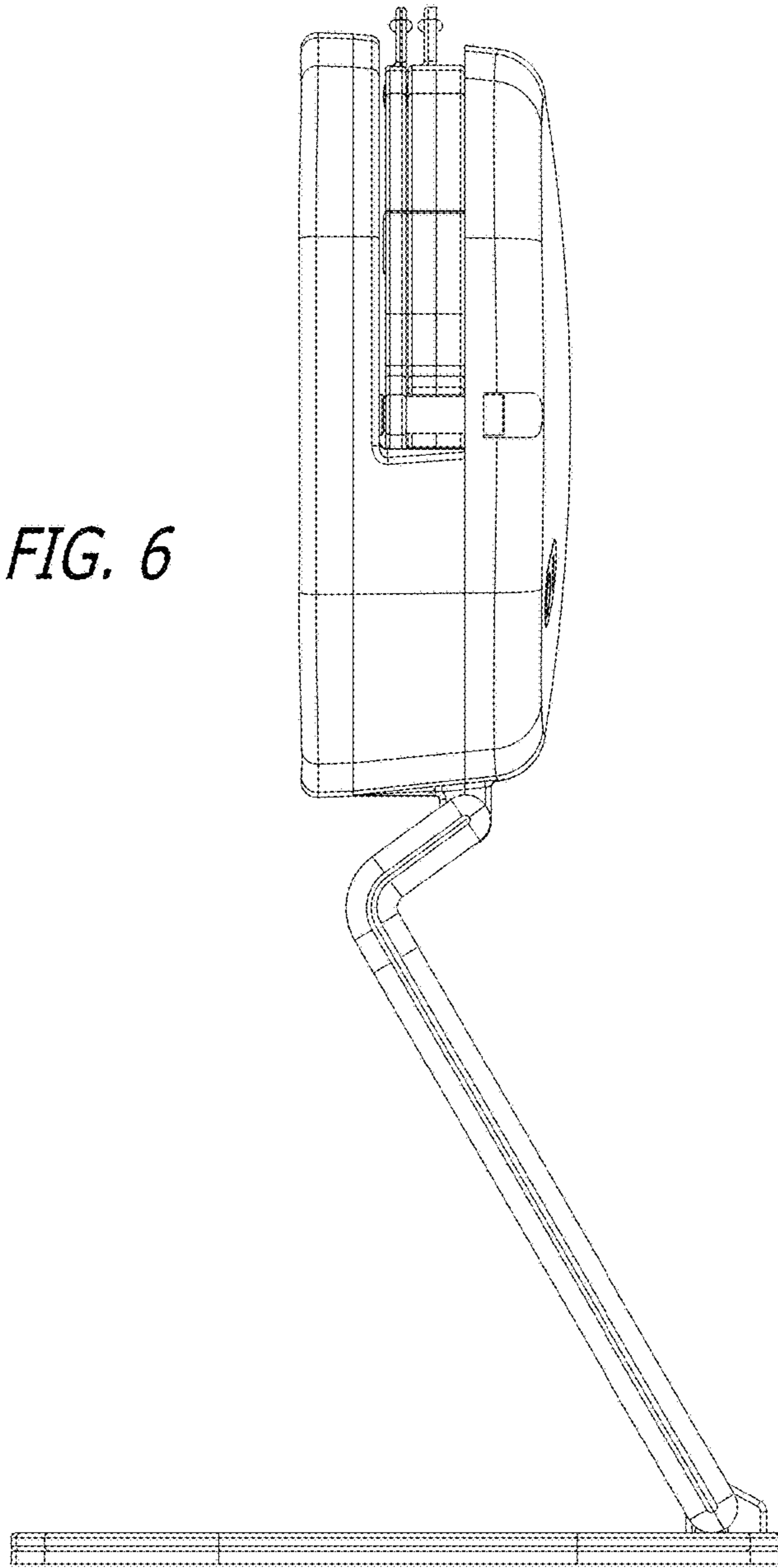


FIG. 5

FIG. 6



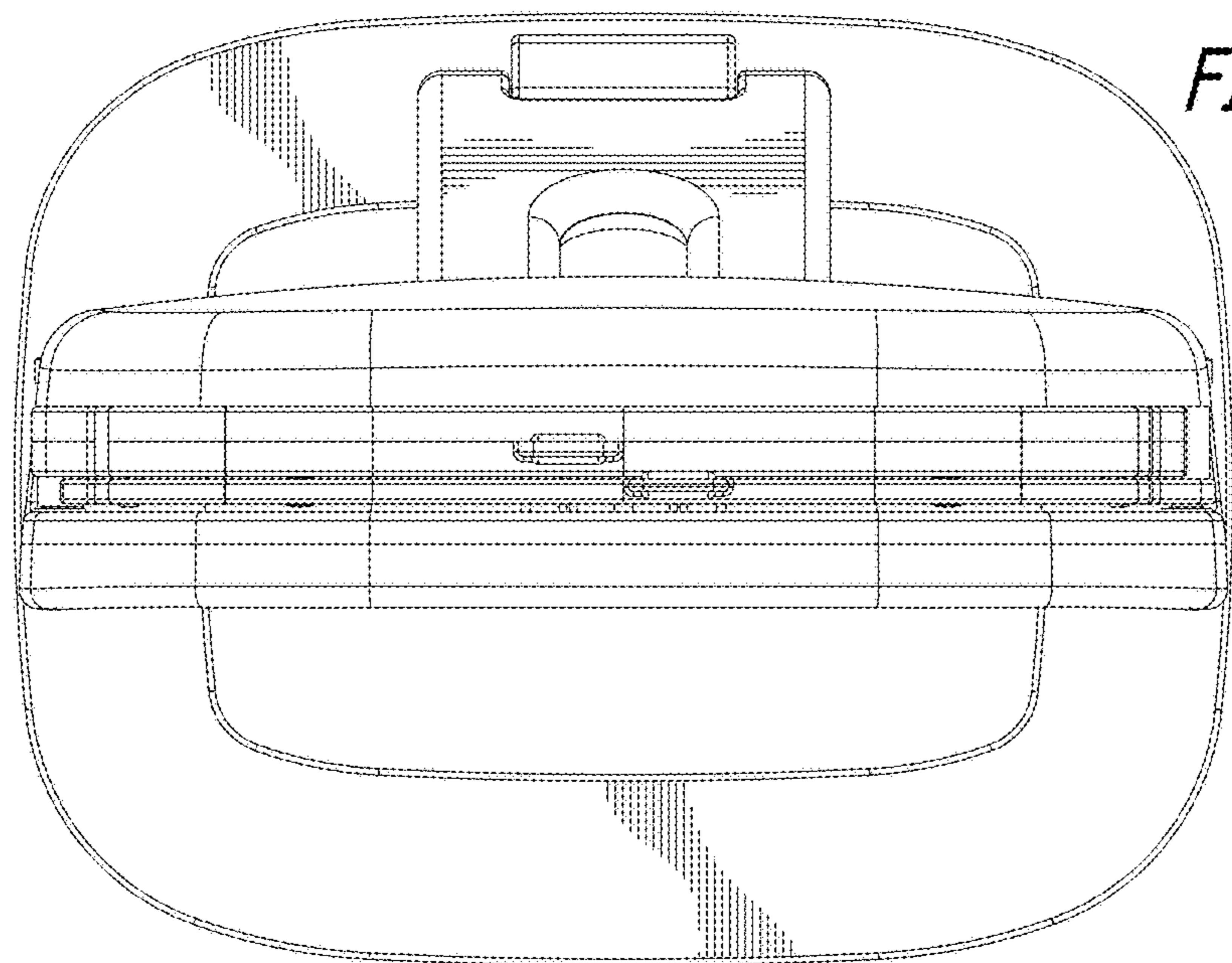


FIG. 7

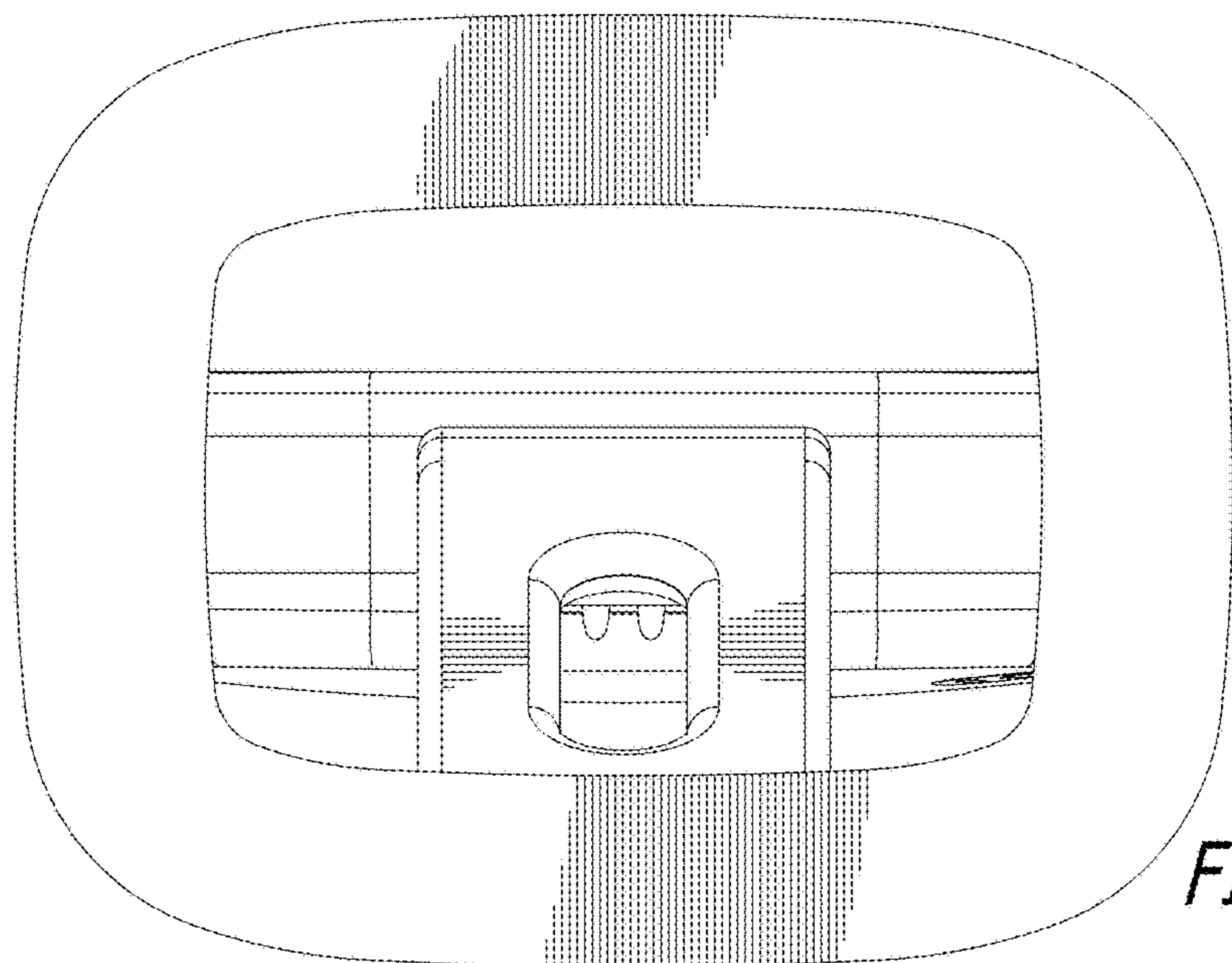


FIG. 8