



US00D853735S

(12) **United States Design Patent**
Hao

(10) **Patent No.:** **US D853,735 S**
(45) **Date of Patent:** **** Jul. 16, 2019**

(54) **DOUBLE-SIDED EASEL**

D468,912 S * 1/2003 Guay D6/300
D517,328 S * 3/2006 Thrall D6/300
D816,159 S * 4/2018 Gardner D19/1

(71) Applicant: **Tiantian Hao**, Yiwu (CN)

* cited by examiner

(72) Inventor: **Tiantian Hao**, Yiwu (CN)

Primary Examiner — Deanna L Pratt

(**) Term: **15 Years**

(74) *Attorney, Agent, or Firm* — Wen IP LLC; Zhihua Han

(21) Appl. No.: **29/636,225**

(57) **CLAIM**

(22) Filed: **Feb. 7, 2018**

The ornamental design for a double-sided easel, as shown and described.

(51) **LOC (11) Cl.** **06-01**

(52) **U.S. Cl.**
USPC **D6/300**

DESCRIPTION

(58) **Field of Classification Search**
USPC D6/300-314
CPC G09F 1/12; G09F 7/18; A47G 1/06; A47G 1/0638; A47G 1/14; A47G 1/141; A47B 97/04; A47B 97/08

FIG. 1 is a prospective view of a double-sided easel in an open position showing my new design;
FIG. 2 is another prospective view thereof from a different angle;
FIG. 3 is a front elevational view thereof;
FIG. 4 is a rear elevational view thereof;
FIG. 5 is a left side elevational view thereof;
FIG. 6 is a right side elevational view thereof;
FIG. 7 is a top plan view thereof;
FIG. 8 is a bottom plan view thereof; and,
FIG. 9 is a prospective view of the double-sided easel in a closed position.

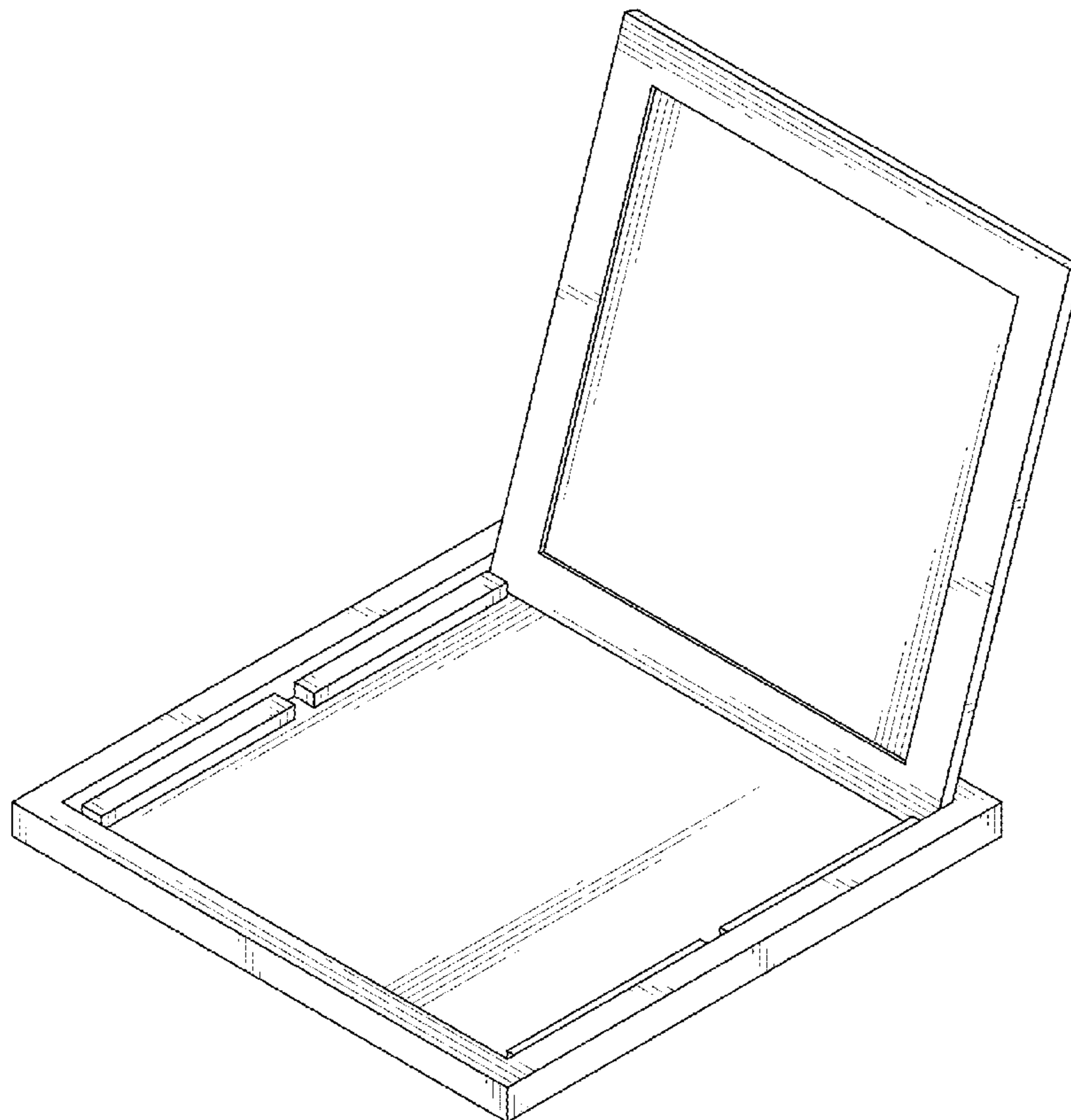
See application file for complete search history.

(56) **References Cited**

U.S. PATENT DOCUMENTS

D130,591 S * 12/1941 Oesterreicher D28/91
D240,492 S * 7/1976 Burin D6/311
D396,350 S * 7/1998 Panzenhagen D6/300
D400,717 S * 11/1998 Sprogis D6/300

1 Claim, 9 Drawing Sheets



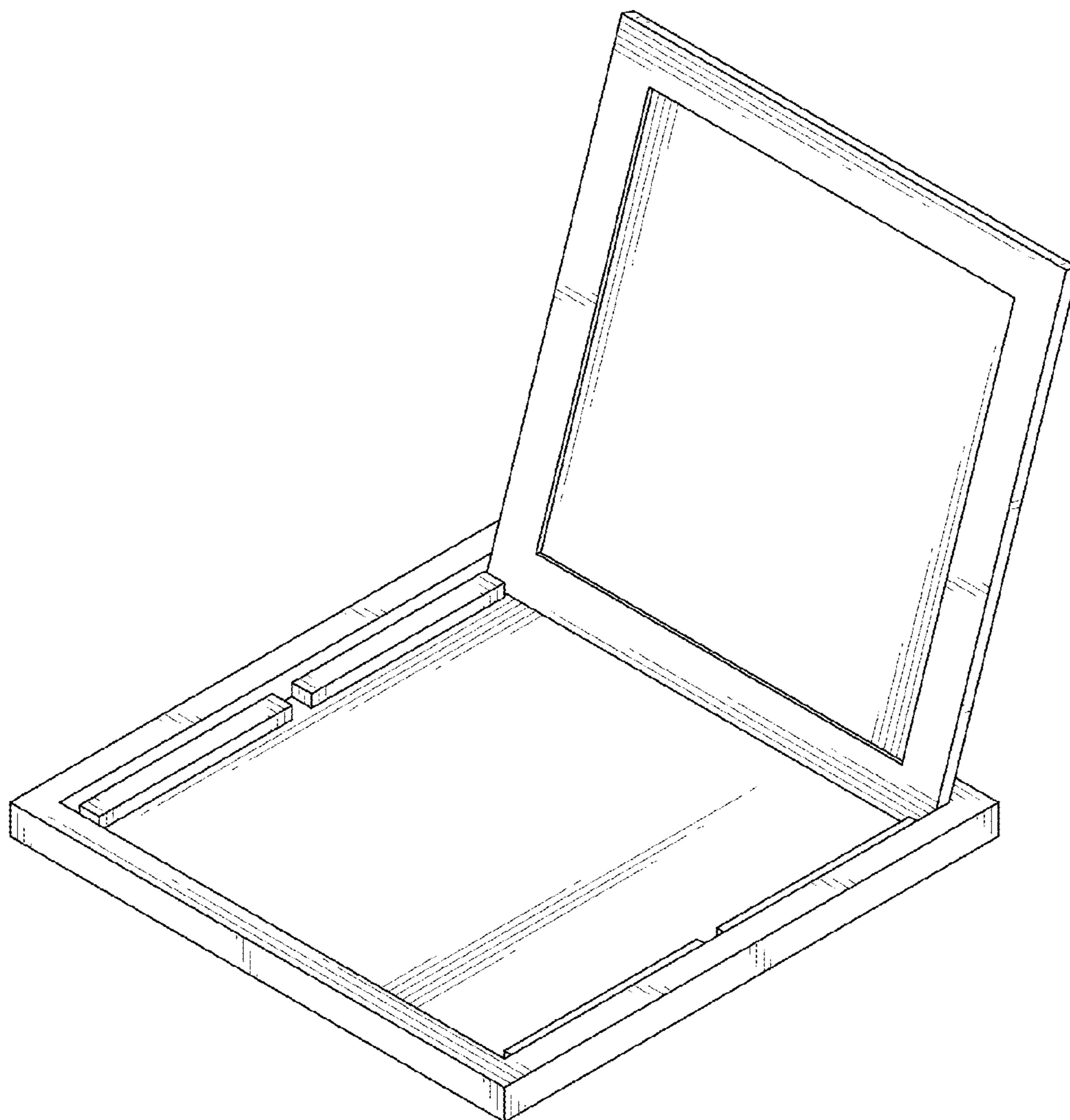


FIG. 1

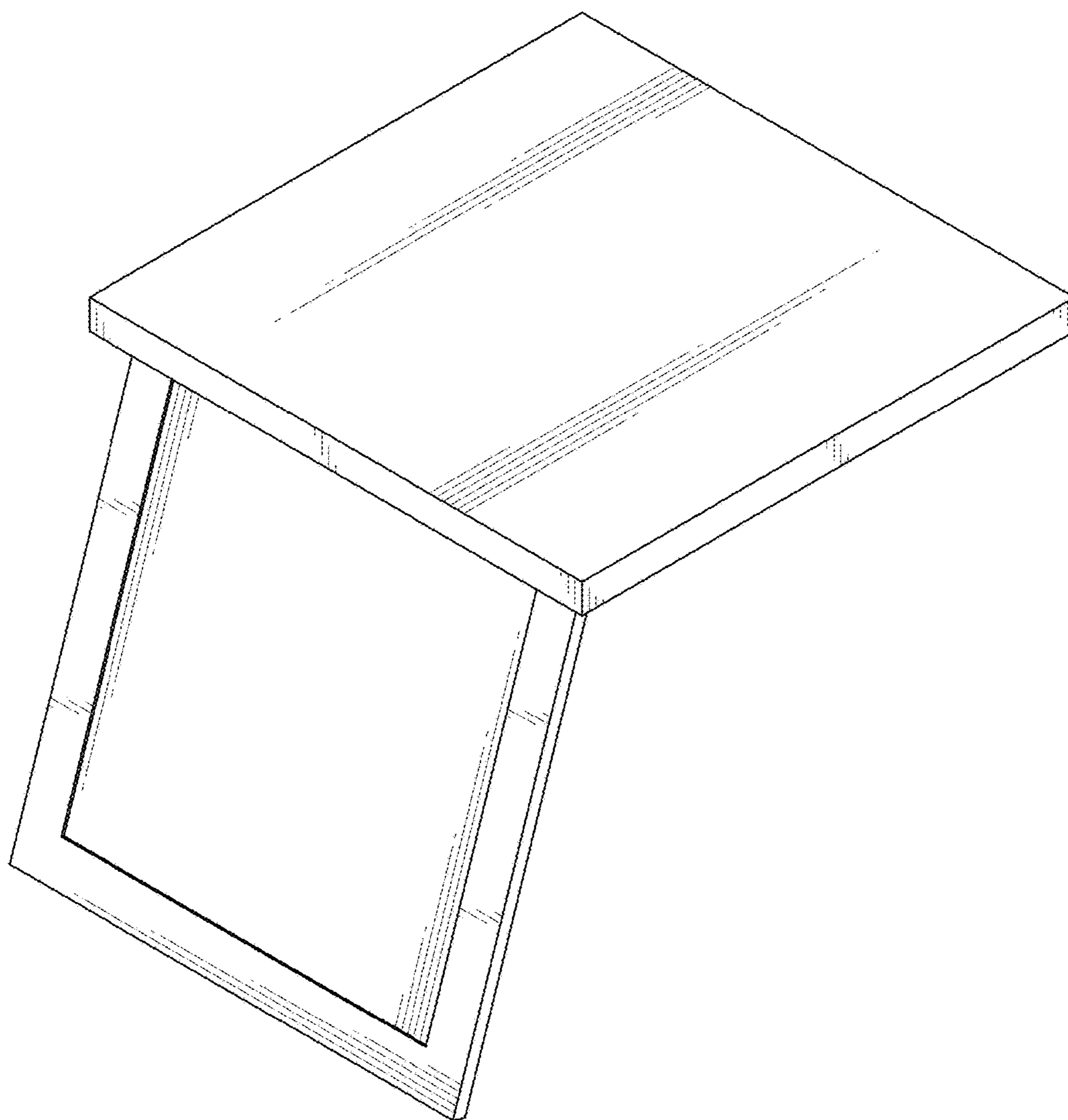


FIG. 2

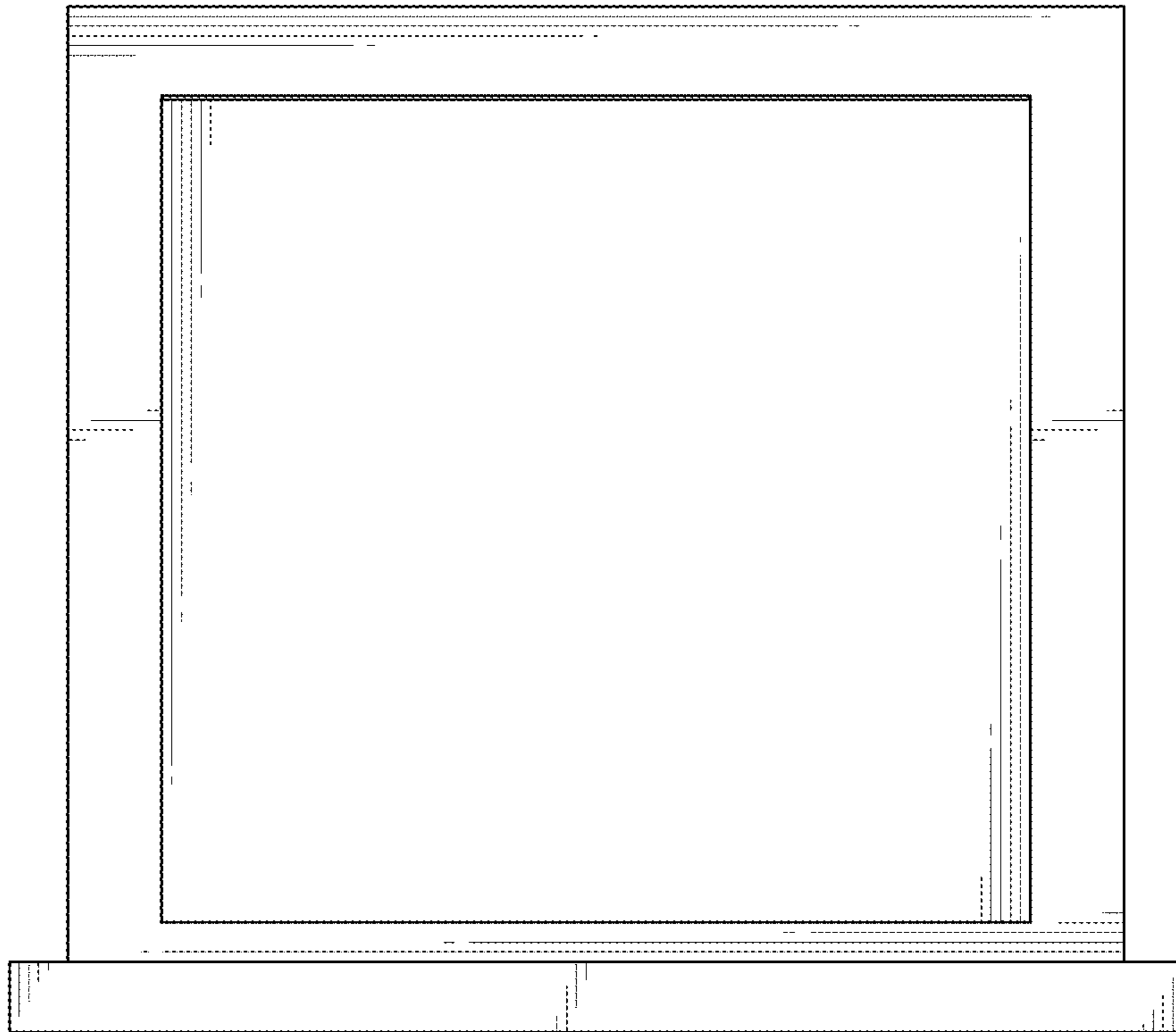


FIG. 3

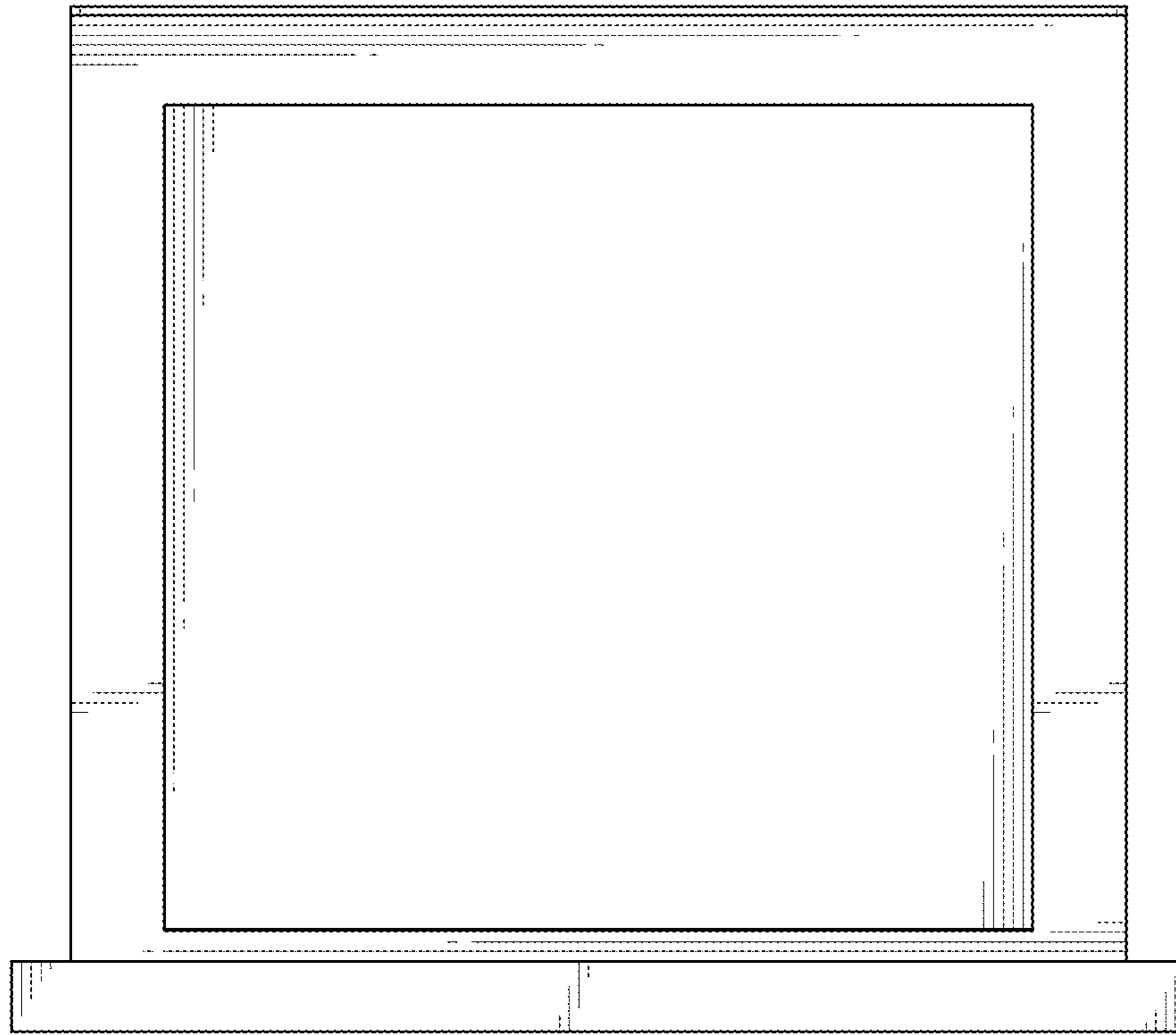


FIG. 4

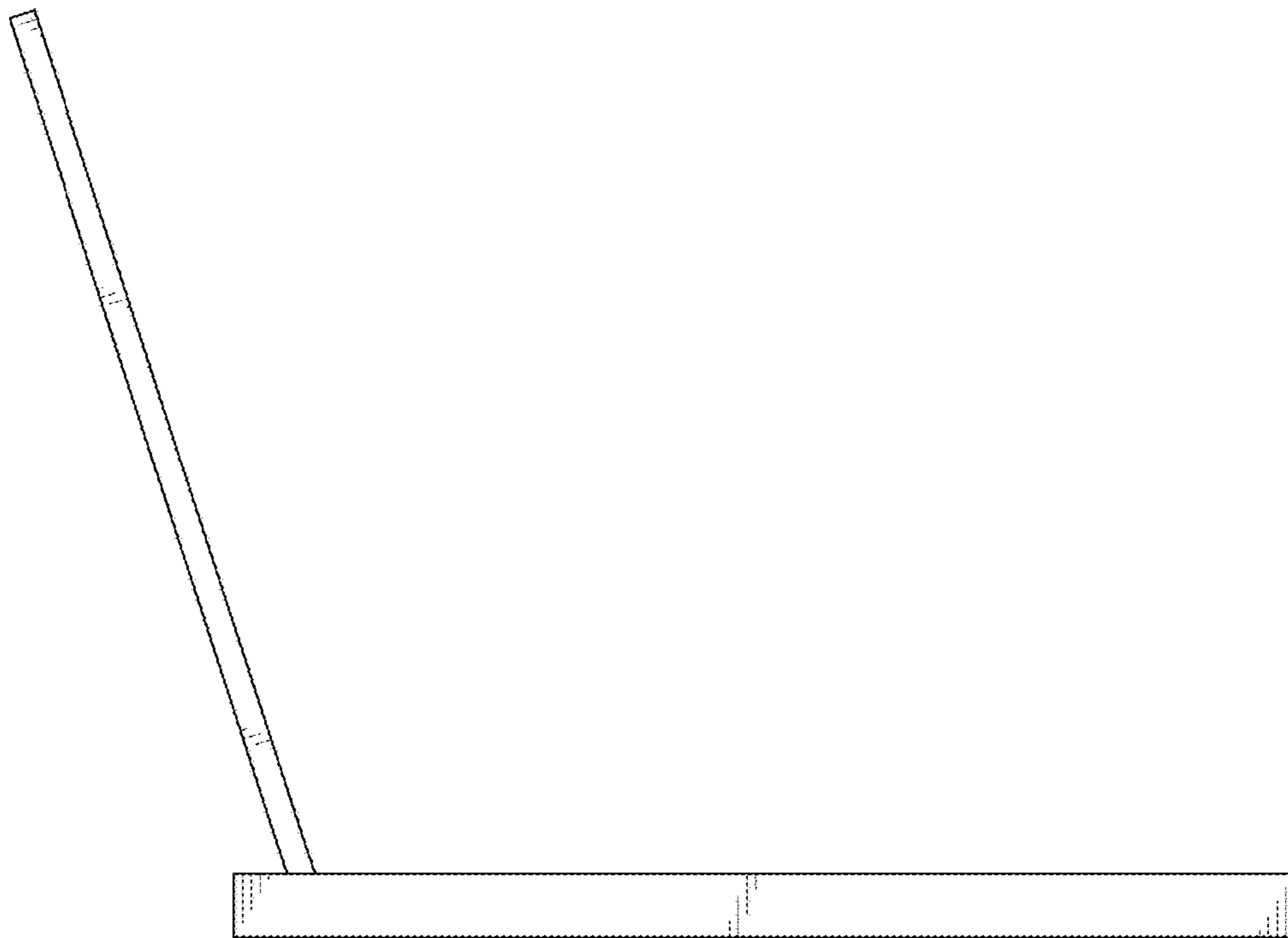


FIG. 5

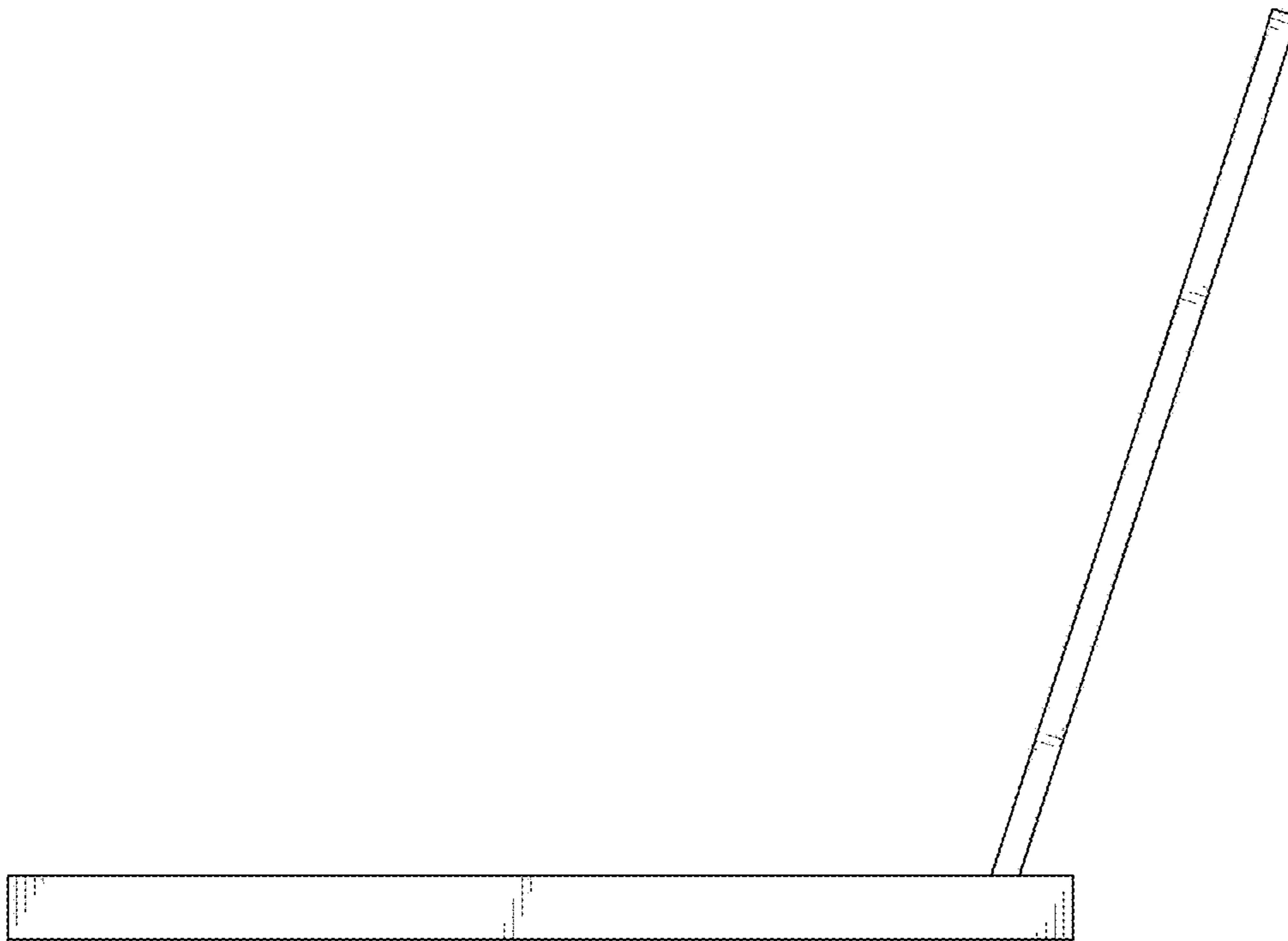


FIG. 6

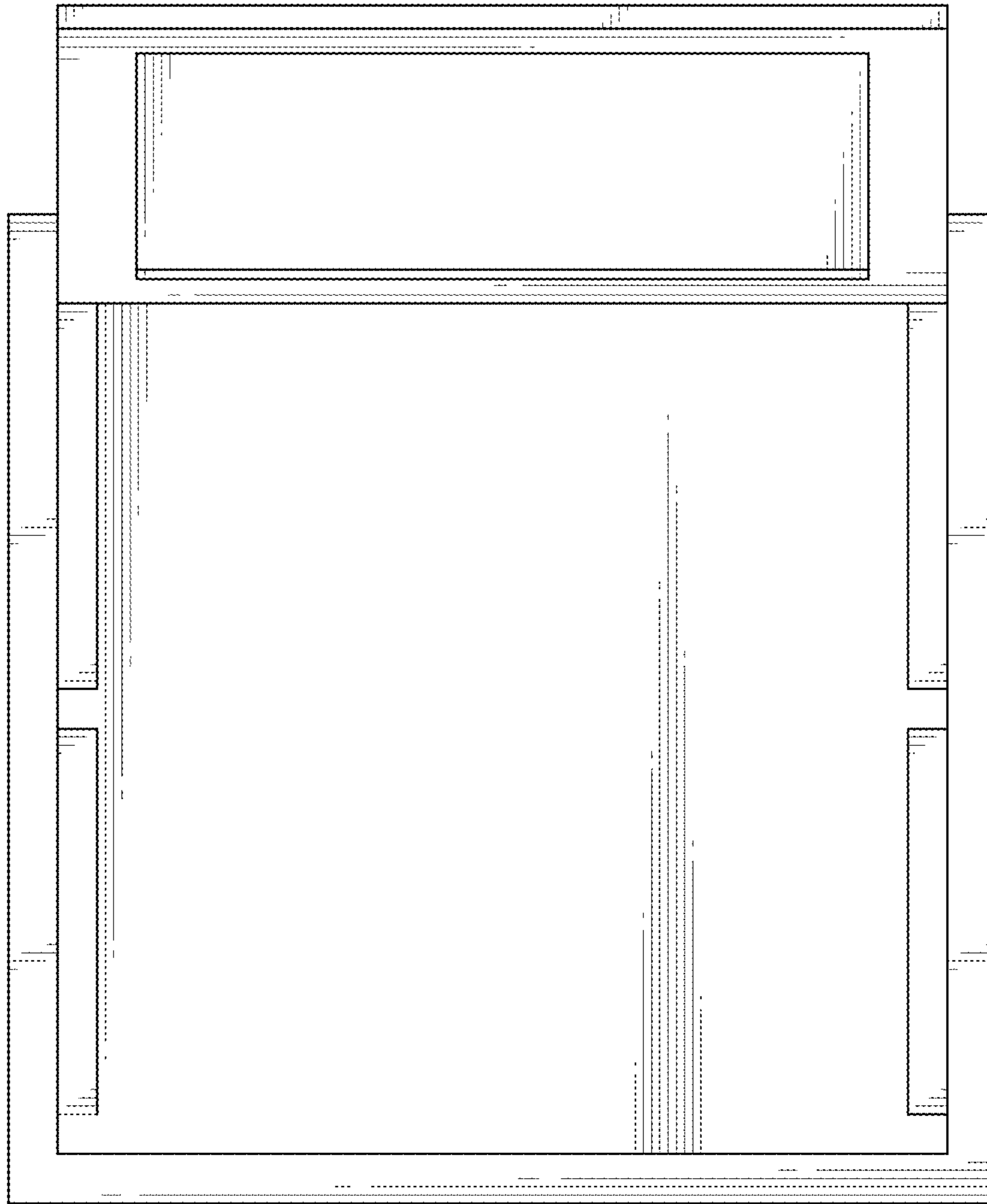


FIG. 7

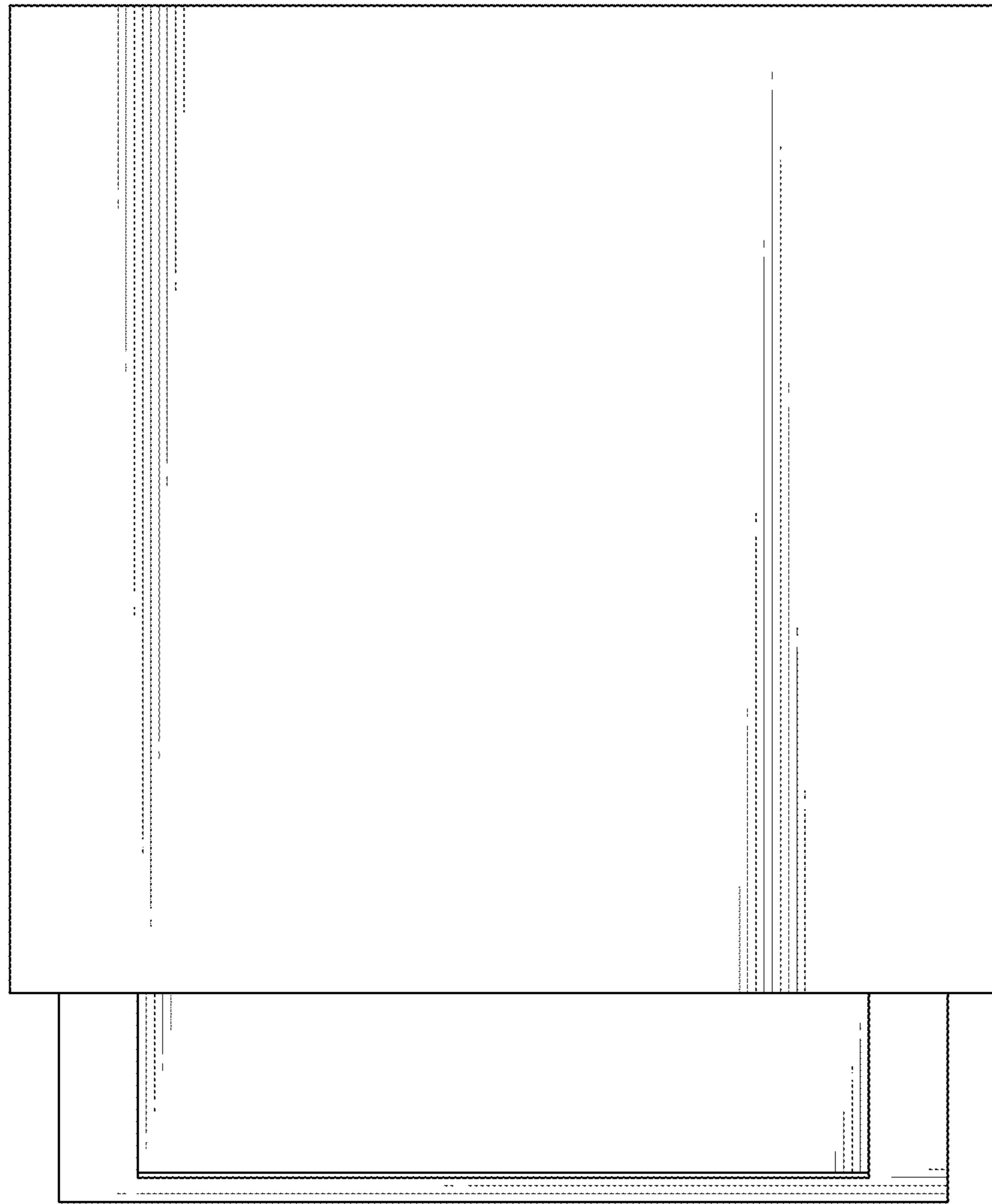


FIG. 8

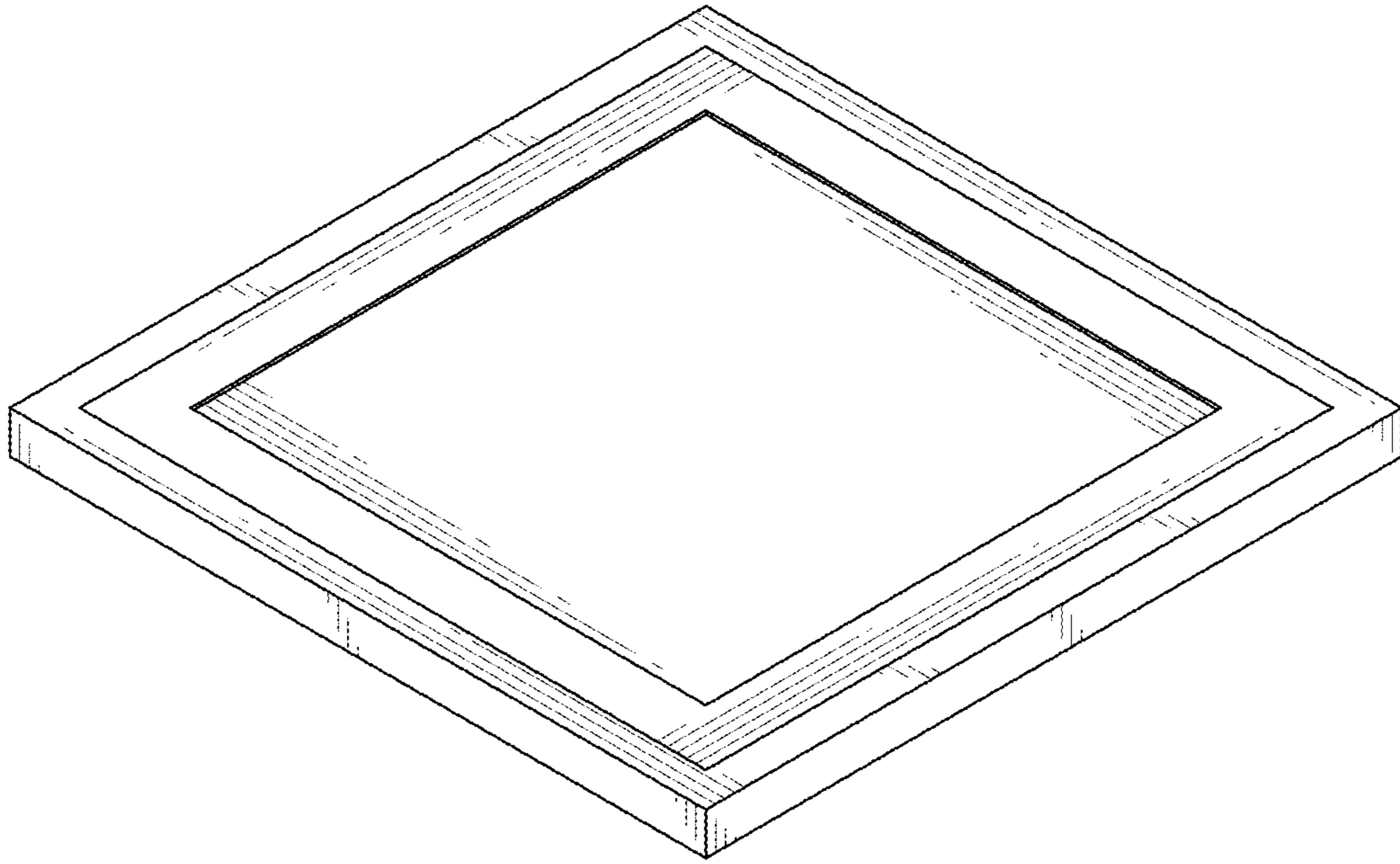


FIG. 9