



US00D853732S

(12) **United States Design Patent** (10) **Patent No.:** **US D853,732 S**
Wainless et al. (45) **Date of Patent:** **** Jul. 16, 2019**

(54) **REFILL HEAD FOR AN ORAL CARE IMPLEMENT**

- (71) Applicant: **Colgate-Palmolive Company**, New York, NY (US)
- (72) Inventors: **Daniel Wainless**, New Brunswick, NJ (US); **Douglas Hohlbein**, Hopewell, NJ (US); **Douglas Henderson**, Basking Ridge, NJ (US); **Jiunnhaur Lim**, Shanghai (CN); **Jiantao Wang**, Shanghai (CN); **Pei Zhou**, Shanghai (CN); **Thuanchong Tan**, Shanghai (CN); **Pengyang Fu**, Shanghai (CN)
- (73) Assignee: **Colgate-Palmolive Company**, New York, NY (US)
- (**) Term: **15 Years**
- (21) Appl. No.: **29/669,561**
- (22) Filed: **Nov. 9, 2018**

Related U.S. Application Data

- (62) Division of application No. 29/585,607, filed on Nov. 28, 2016, now Pat. No. Des. 837,527.
- (51) **LOC (11) Cl.** **04-02**
- (52) **U.S. Cl.**
USPC **D4/104**
- (58) **Field of Classification Search**
USPC D4/100, 101, 102, 104, 108, 112, 113;
D24/119, 152, 176
CPC A46B 5/00; A46B 5/0016; A46B 5/0095;
A46B 5/21; A46B 9/04; A46B 9/10;
A46B 2200/106
See application file for complete search history.

(56) **References Cited**

U.S. PATENT DOCUMENTS

D137,249	S *	2/1944	Groff	15/167.1
5,875,510	A	3/1999	Lamond et al.		
6,145,152	A	11/2000	Ward		
D457,326	S *	5/2002	Winkler	D4/104
6,546,585	B1	4/2003	Blaustein et al.		
D517,325	S *	3/2006	Black	D4/108
D635,775	S *	4/2011	Kalbfeld	D4/104
D652,626	S *	1/2012	Gebski	D4/101
D703,443	S *	4/2014	Gatzemeyer	D4/101
9,038,225	B2 *	5/2015	Haynes	A61C 17/26 15/28
D775,470	S *	1/2017	Xi	D4/104
D793,735	S *	8/2017	Zavalloni	D4/101
D794,336	S *	8/2017	Zavalloni	D4/101
D798,062	S *	9/2017	Bauernfeind	D4/104
D799,836	S *	10/2017	Bauernfeind	D4/104
D805,306	S *	12/2017	Massee	D4/101
D837,527	S *	1/2019	Wainless	D4/104
D839,600	S *	2/2019	Bloch	D4/101
2007/0294847	A1 *	12/2007	Wang	A61C 17/349 15/22.2
2017/0007384	A1 *	1/2017	Wagner	A61C 17/3409

(Continued)

Primary Examiner — Karen S Acker
Assistant Examiner — Jasmine Mlinarcik

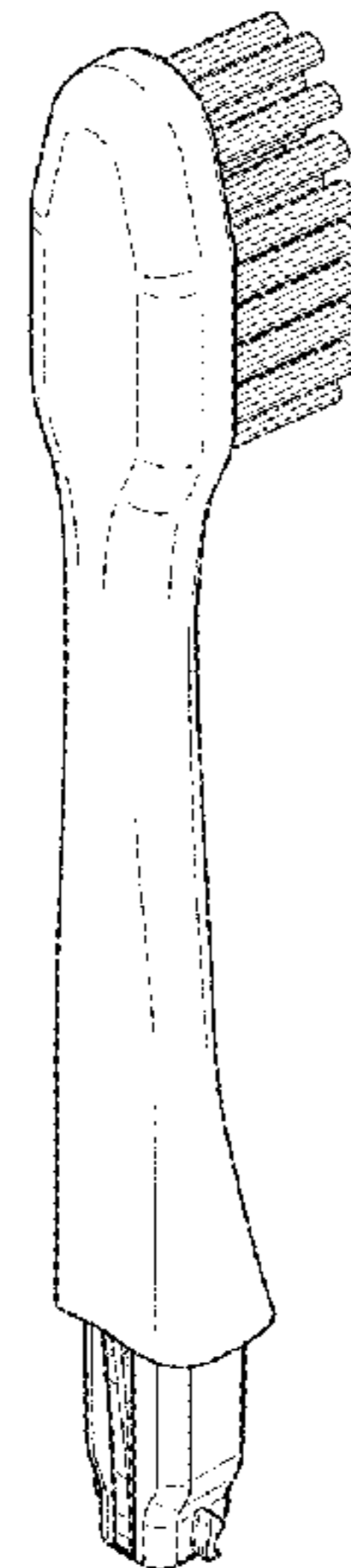
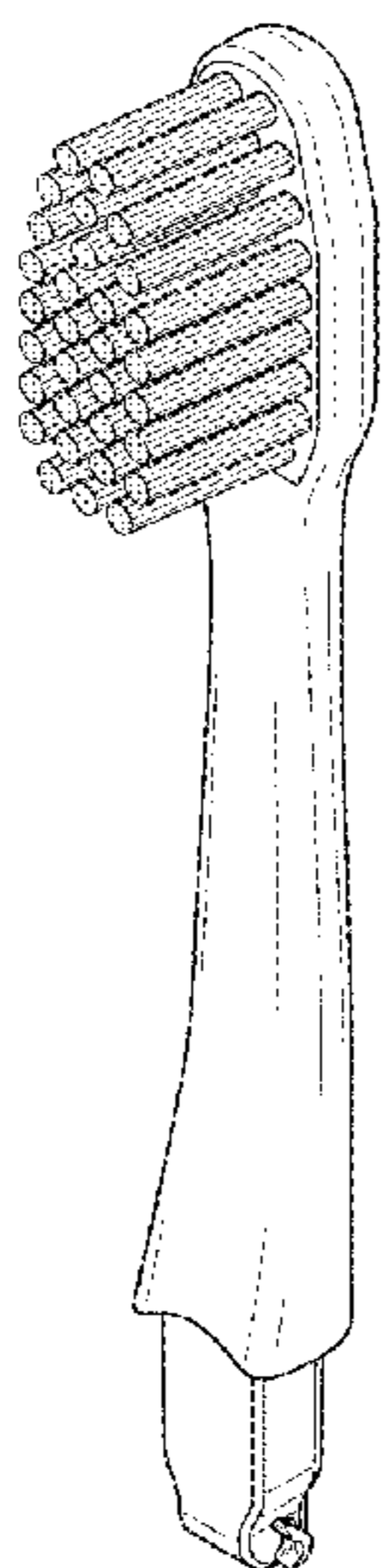
(57) **CLAIM**

The ornamental design for a refill head for an oral care implement, as shown and described.

DESCRIPTION

FIG. 1 is a front right perspective view of a refill head for an oral care implement according to the new design;
FIG. 2 is a rear left perspective view thereof;
FIG. 3 is a front view thereof;
FIG. 4 is a rear view thereof;
FIG. 5 is a right side view thereof;
FIG. 6 is a left side view thereof;
FIG. 7 is an enlarged top view thereof; and,
FIG. 8 is an enlarged bottom view thereof.

1 Claim, 4 Drawing Sheets



(56)

References Cited

U.S. PATENT DOCUMENTS

2018/0078026 A1* 3/2018 Chen A46B 5/0095
2018/0325251 A1* 11/2018 Lin A46B 5/0095

* cited by examiner

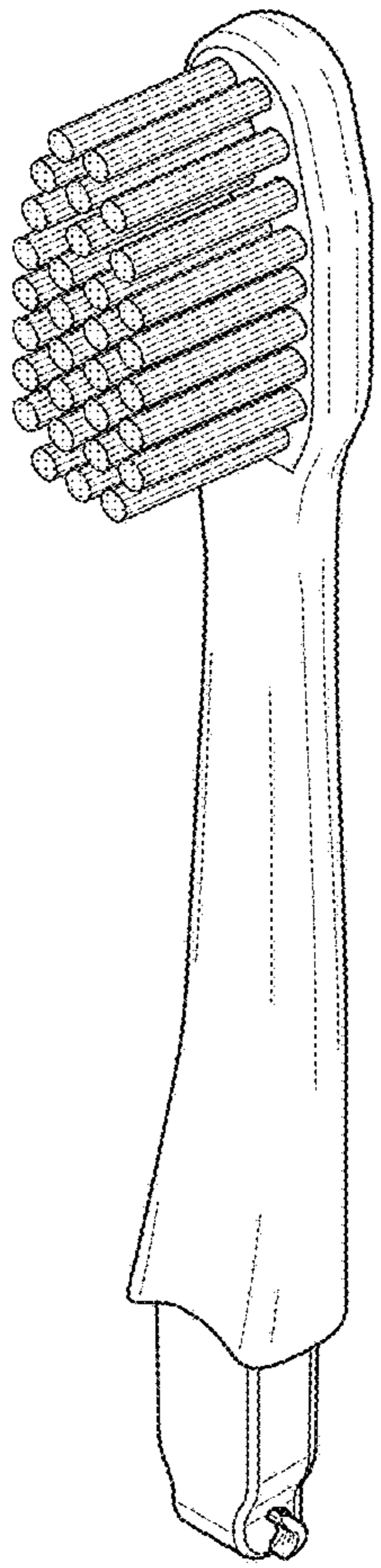


FIG. 1

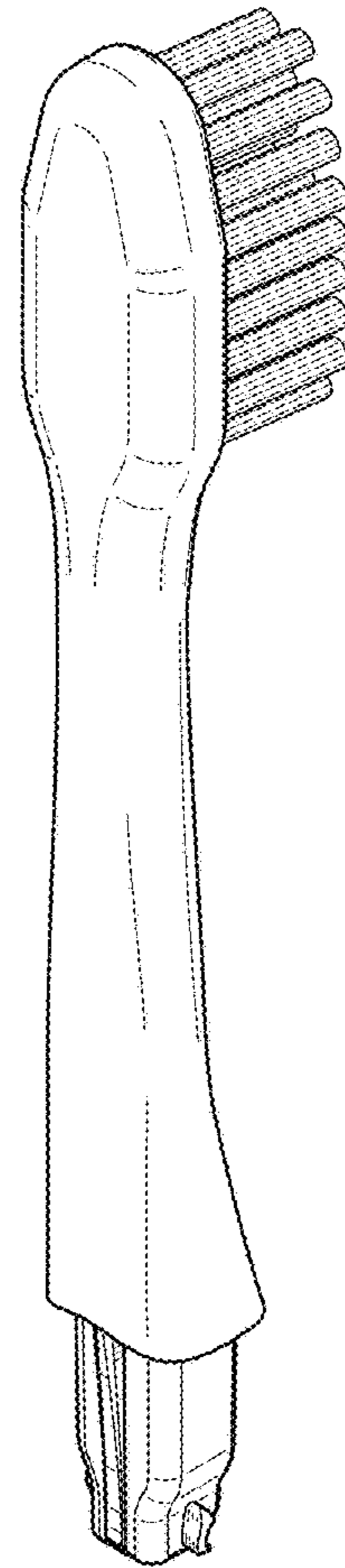


FIG. 2

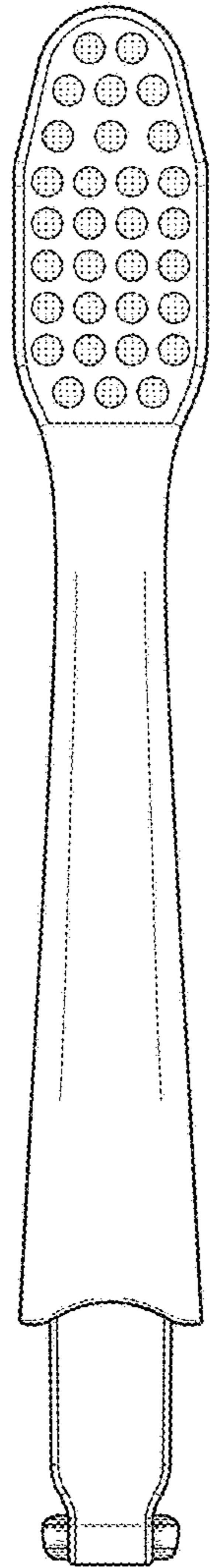


FIG. 3

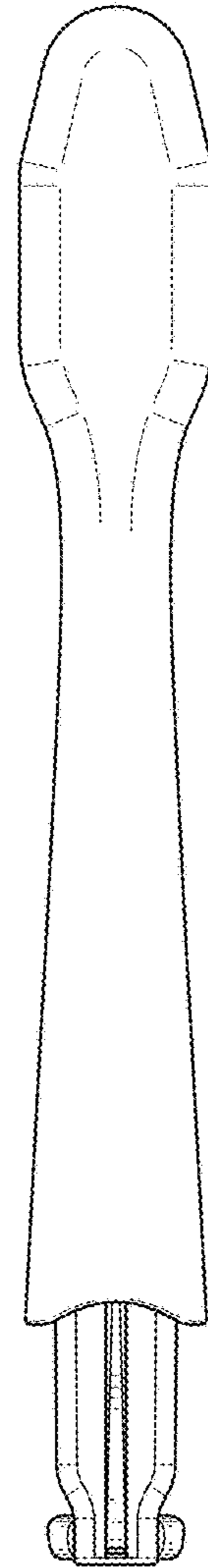


FIG. 4

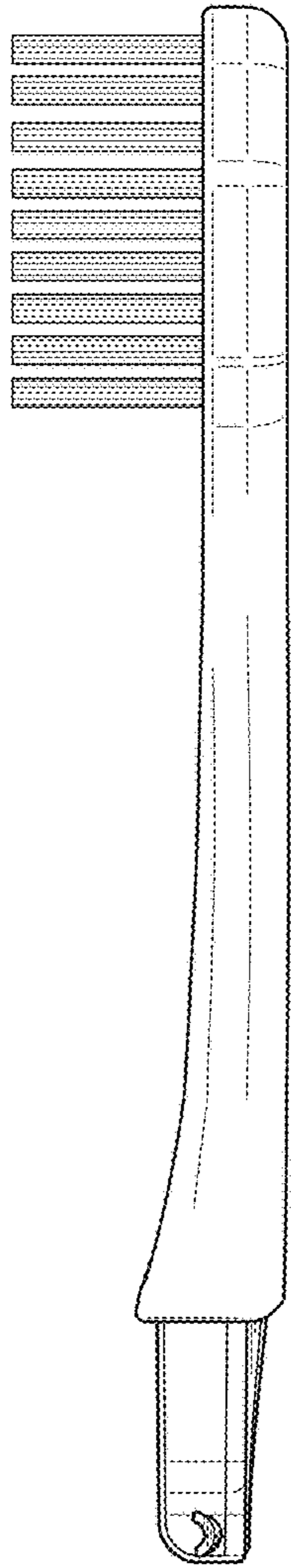


FIG. 5

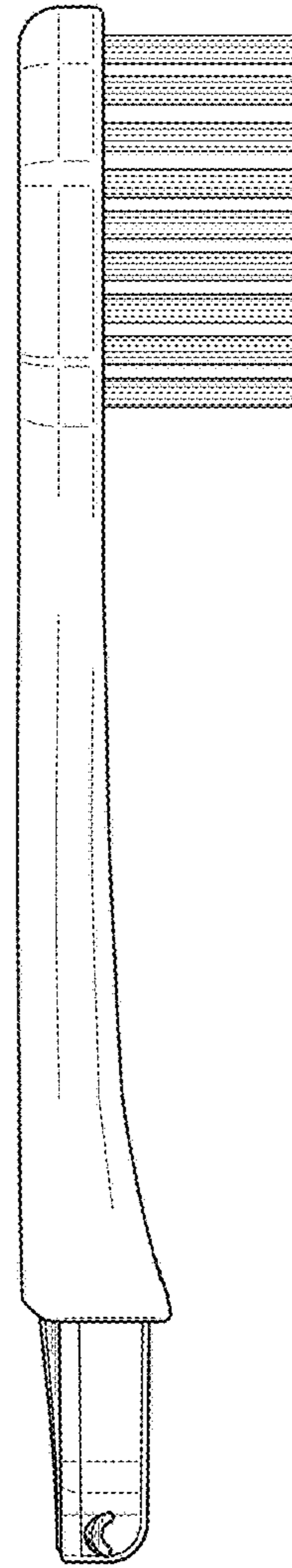


FIG. 6

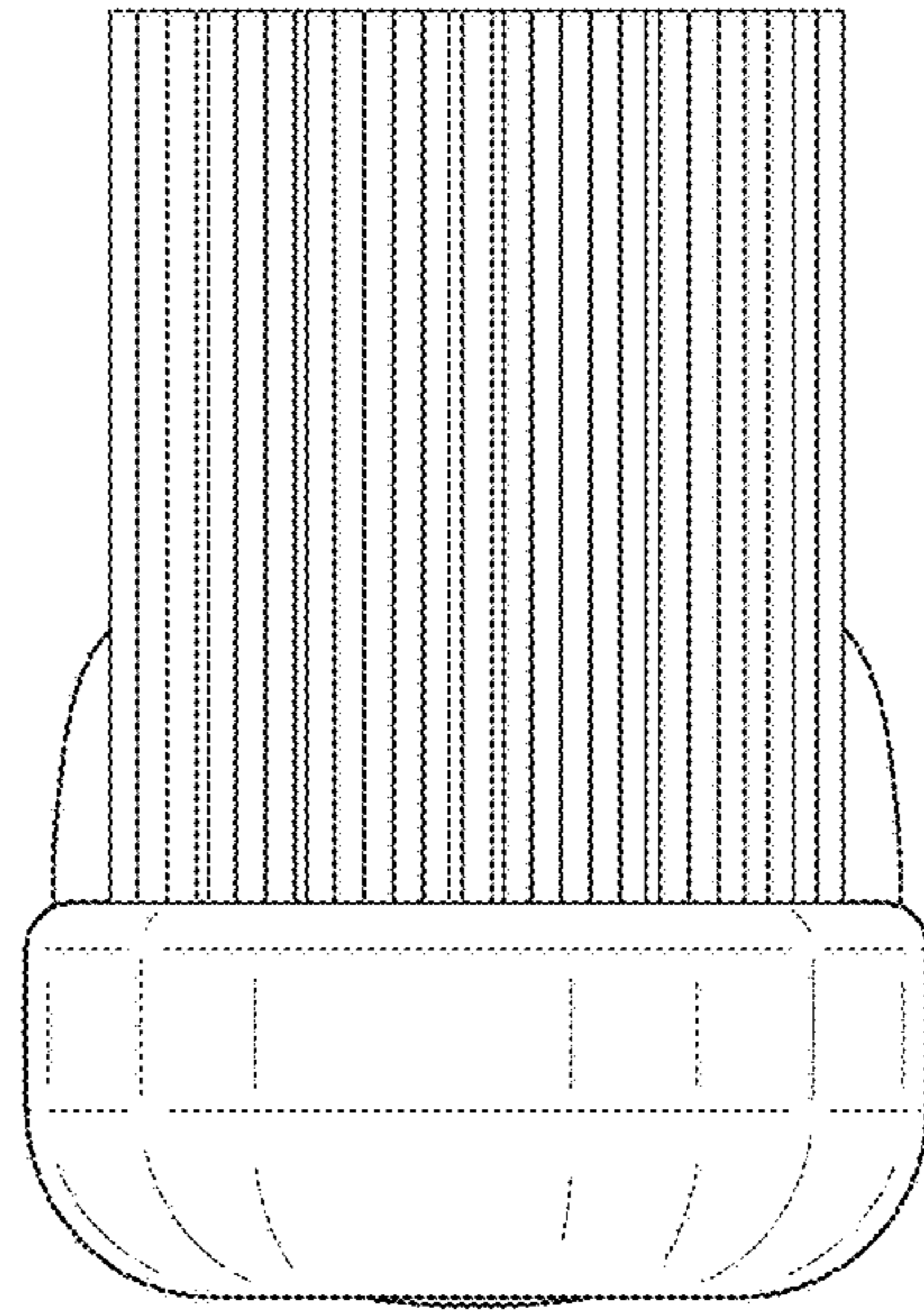


FIG. 7

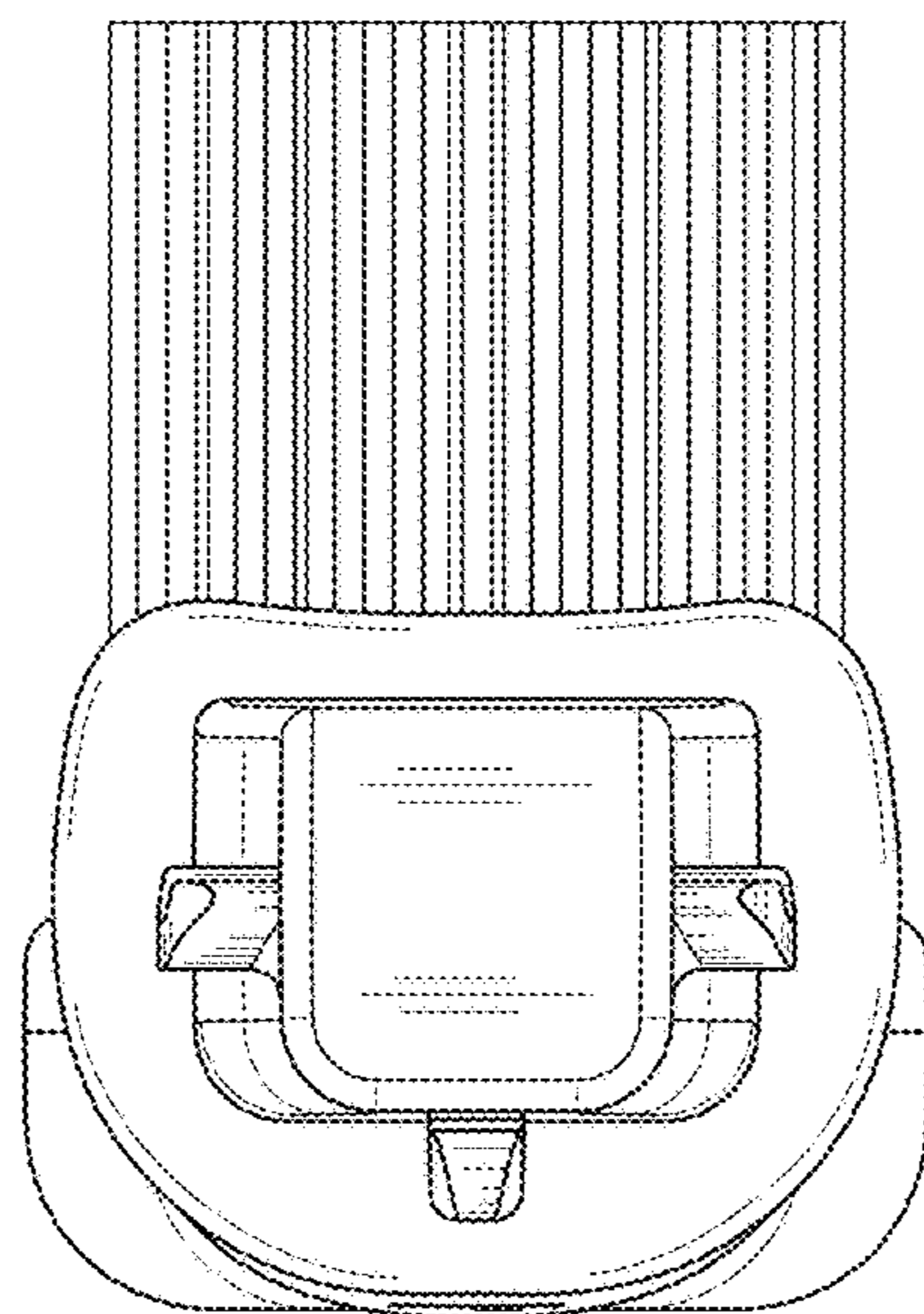


FIG. 8