



US00D853731S

(12) **United States Design Patent**  
**Zhang**

(10) **Patent No.:** **US D853,731 S**

(45) **Date of Patent:** **\*\* Jul. 16, 2019**

(54) **BABY TOOTHBRUSH SET**

(71) Applicant: **Shuting Zhang**, Guangdong (CN)

(72) Inventor: **Shuting Zhang**, Guangdong (CN)

(\*\*) Term: **15 Years**

(21) Appl. No.: **29/644,294**

(22) Filed: **Apr. 16, 2018**

(30) **Foreign Application Priority Data**

Mar. 16, 2018 (CN) ..... 2018 3 0100387

(51) **LOC (11) Cl.** ..... **04-02**

(52) **U.S. Cl.**  
USPC ..... **D4/104**

(58) **Field of Classification Search**

USPC ..... D4/100, 101, 102, 104, 105, 106, 107,  
D4/108, 109, 110, 111, 112, 113, 114,  
D4/115, 116, 119, 120, 121, 124, 125,  
D4/130, 132, 134, 138, 199; D24/111  
CPC .... A46B 2200/1066; A46B 2200/1073; A46B  
2200/1086; A46B 5/02; A61C 17/22;  
A61C 17/225; A61C 17/32; A61C 17/34;  
A61C 17/3445; A61C 17/3454; A61C  
17/3481

See application file for complete search history.

(56) **References Cited**

**U.S. PATENT DOCUMENTS**

D226,249 S \* 1/1973 Brainerd ..... D4/119  
D231,038 S \* 3/1974 Brainerd ..... D4/119  
5,459,898 A \* 10/1995 Bacolot ..... A46B 5/0016  
15/106  
D455,012 S \* 4/2002 Perez ..... D4/105  
2006/0021166 A1 \* 2/2006 Hills ..... A46B 13/005  
15/23  
2007/0079459 A1 \* 4/2007 Bradford ..... A46B 3/22  
15/167.2  
2009/0083925 A1 \* 4/2009 Mathiez ..... A46B 3/005  
15/207.2

**OTHER PUBLICATIONS**

Picture of Pigeon baby toothbrush in “Weaning Wednesdays: Brush, baby, brush!” on-line. Published Apr. 29, 2010; retrieved from the Internet Mar. 31, 2019. URL: <<http://makingmum.blogspot.com/2010/04/weaning-wednesdays-brush-baby-brush.html>> (4 pages) (Year: 2010).\*

\* cited by examiner

*Primary Examiner* — Karen E Eldridge Powers

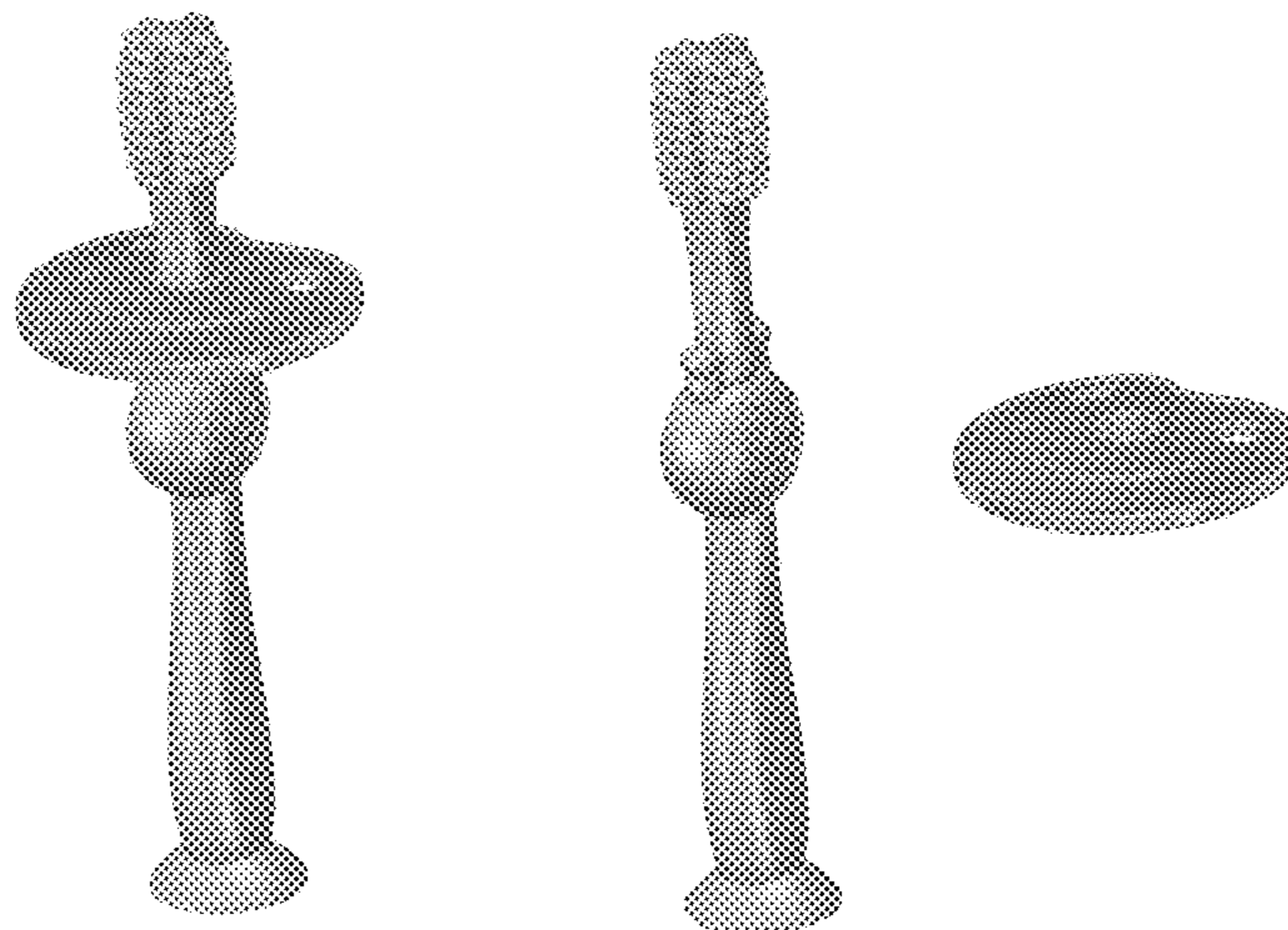
(57) **CLAIM**

The ornamental design for a baby toothbrush set, as shown and described.

**DESCRIPTION**

FIG. 1 is a front elevational view of a baby toothbrush set in an assembled state showing my new design;  
FIG. 2 is a rear elevational view thereof;  
FIG. 3 is a left side elevation view thereof;  
FIG. 4 is a right side elevation view thereof;  
FIG. 5 is a top plan view thereof;  
FIG. 6 is a bottom plan view thereof;  
FIG. 7 is a top, front and right side perspective view thereof;  
FIG. 8 is a bottom, rear and right side perspective view thereof;  
FIG. 9 is a front elevational view thereof, but showing the baby toothbrush set in a disassembled state;  
FIG. 10 is a rear elevational view thereof;  
FIG. 11 is a left side elevation view thereof;  
FIG. 12 is a right side elevation view thereof;  
FIG. 13 is a top plan view thereof;  
FIG. 14 is a bottom plan view thereof;  
FIG. 15 is a top, front and right side perspective view thereof; and,  
FIG. 16 is a bottom, rear and right side perspective view thereof.

**1 Claim, 16 Drawing Sheets**



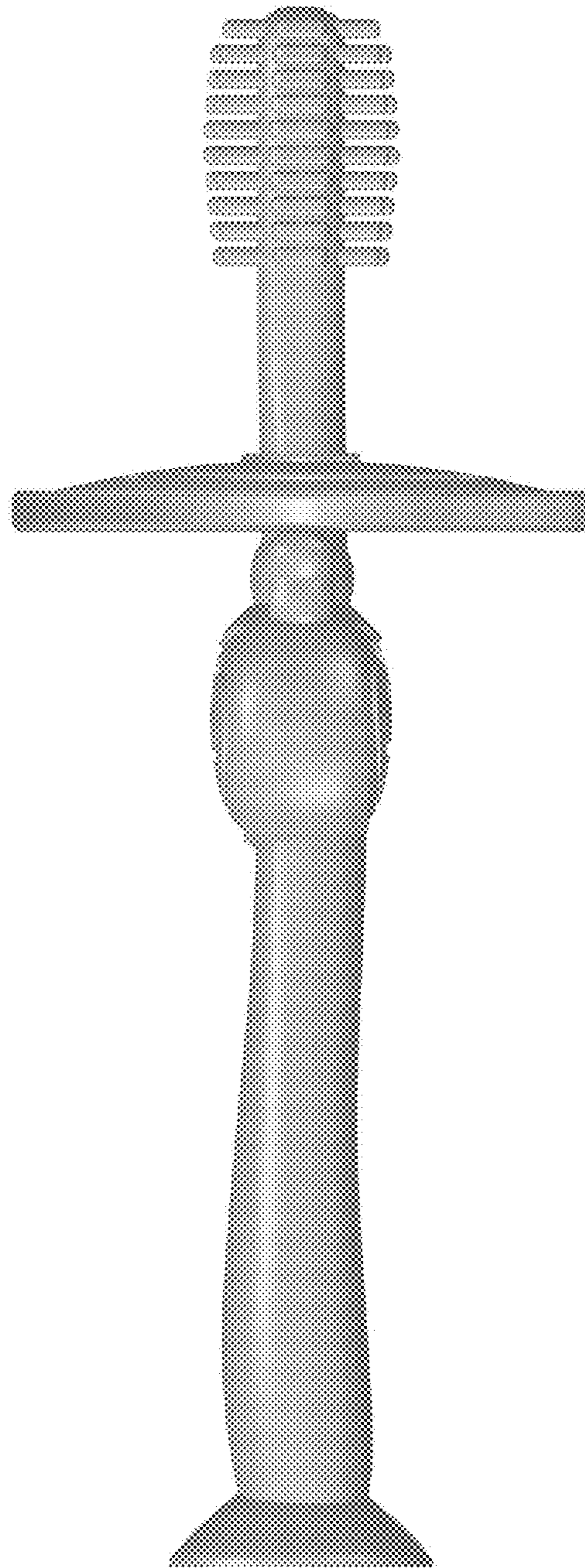


Fig. 1

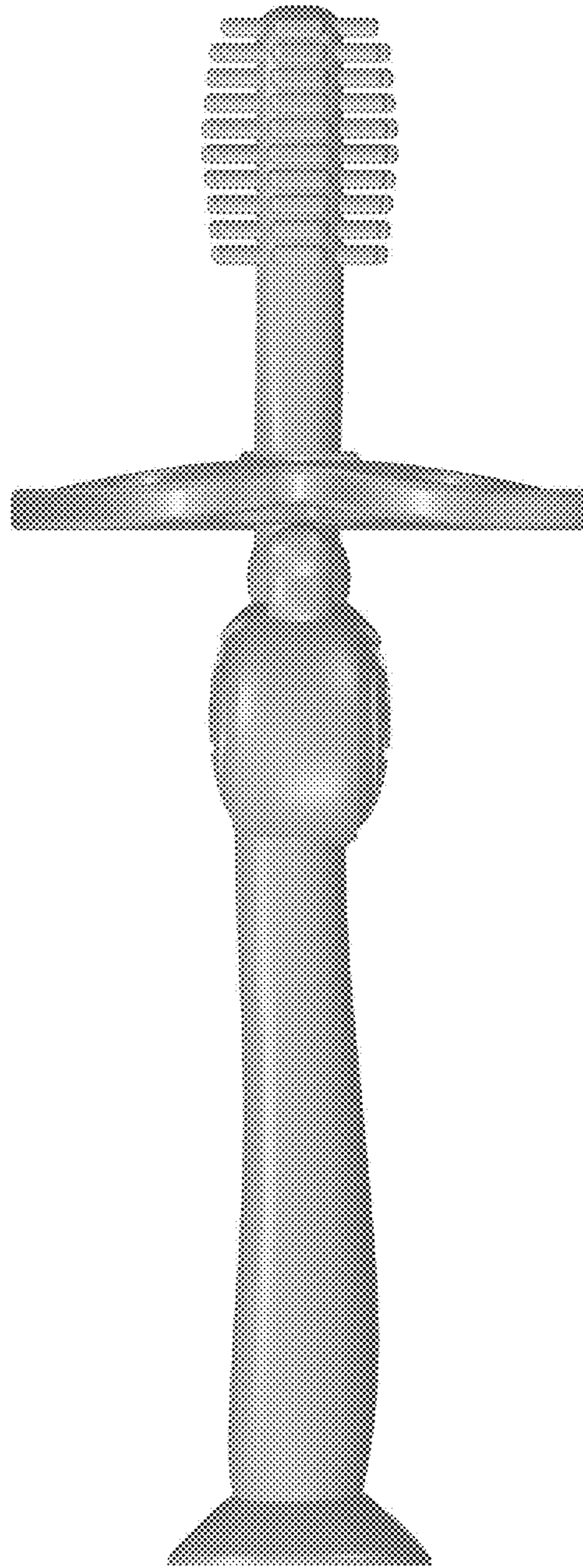


Fig. 2

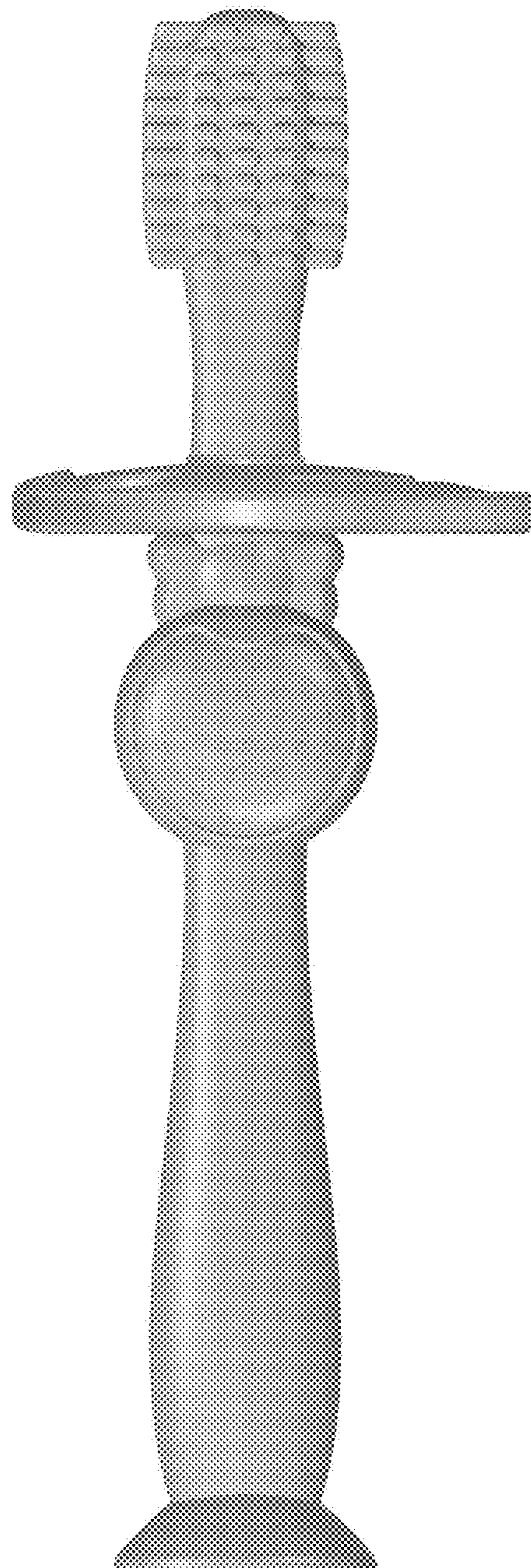


Fig. 3

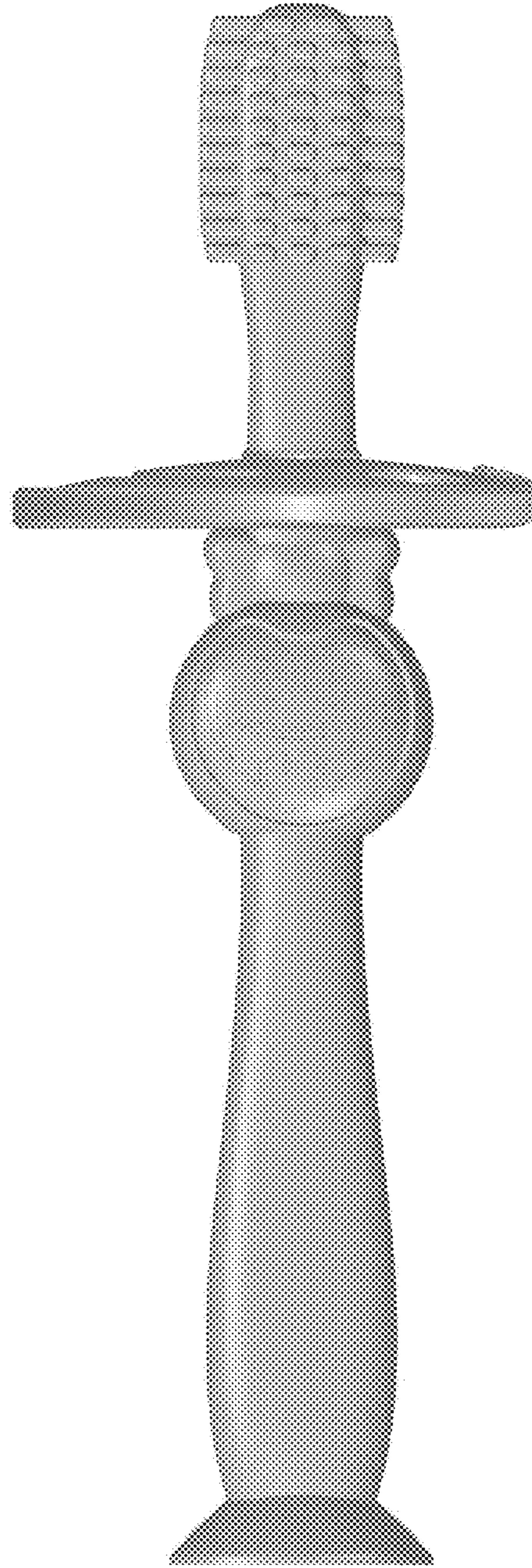


Fig. 4

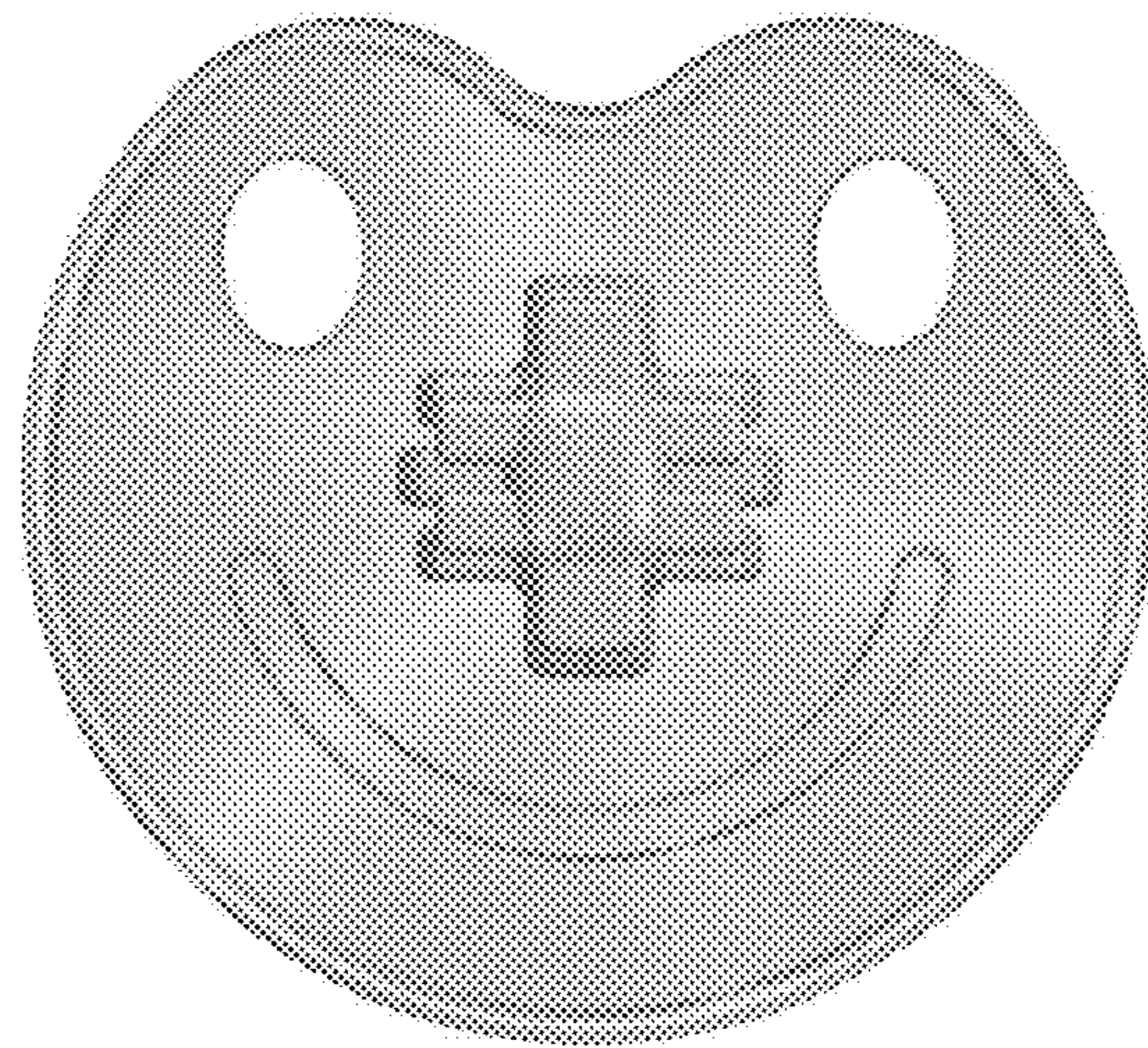


Fig. 5

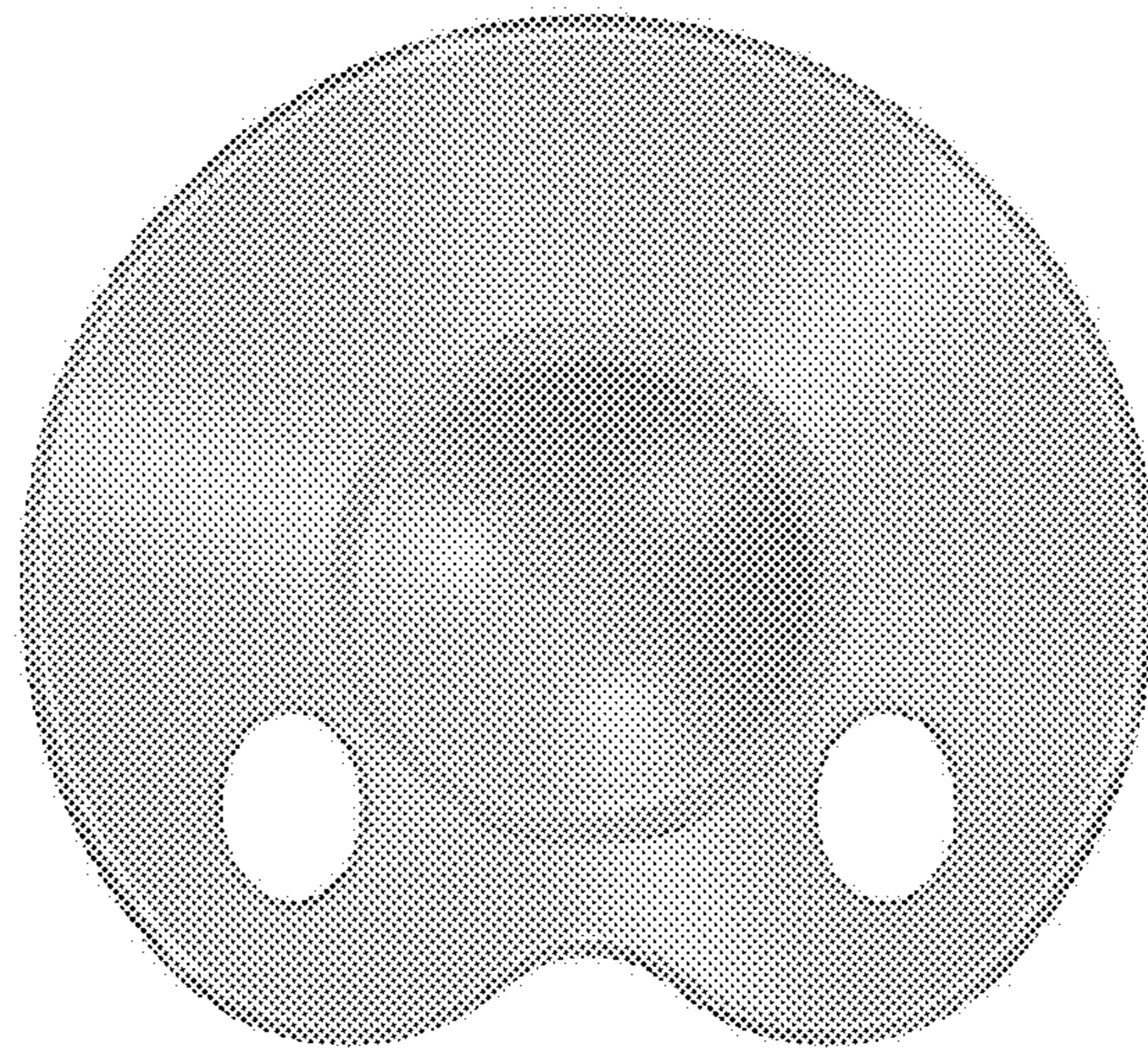


Fig. 6

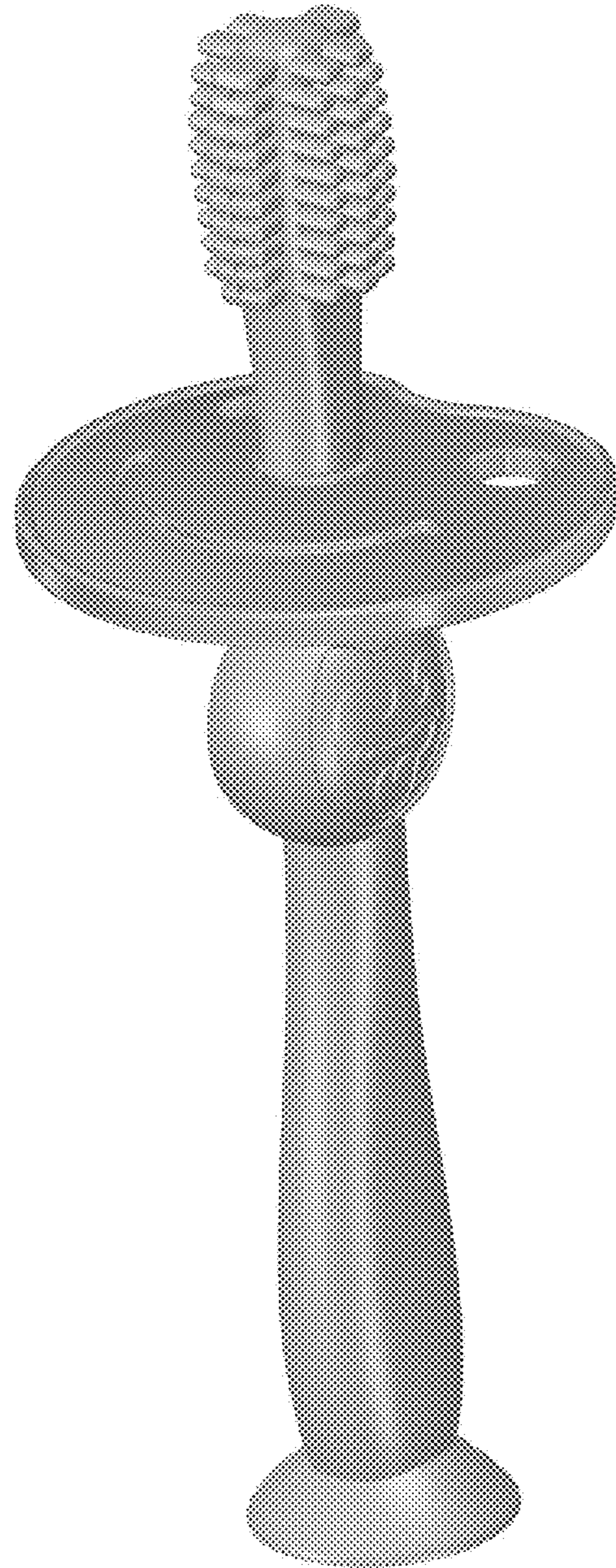


Fig. 7



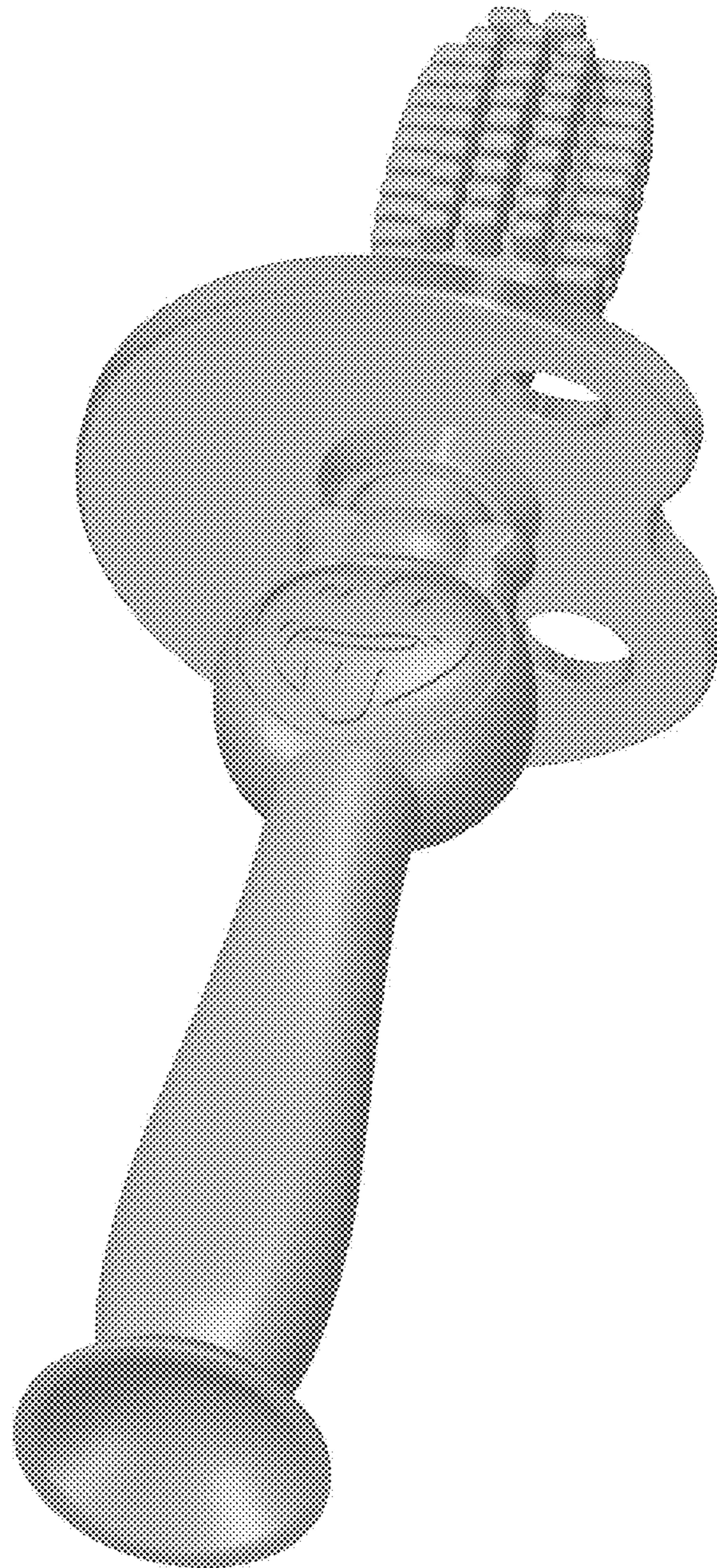


Fig. 8

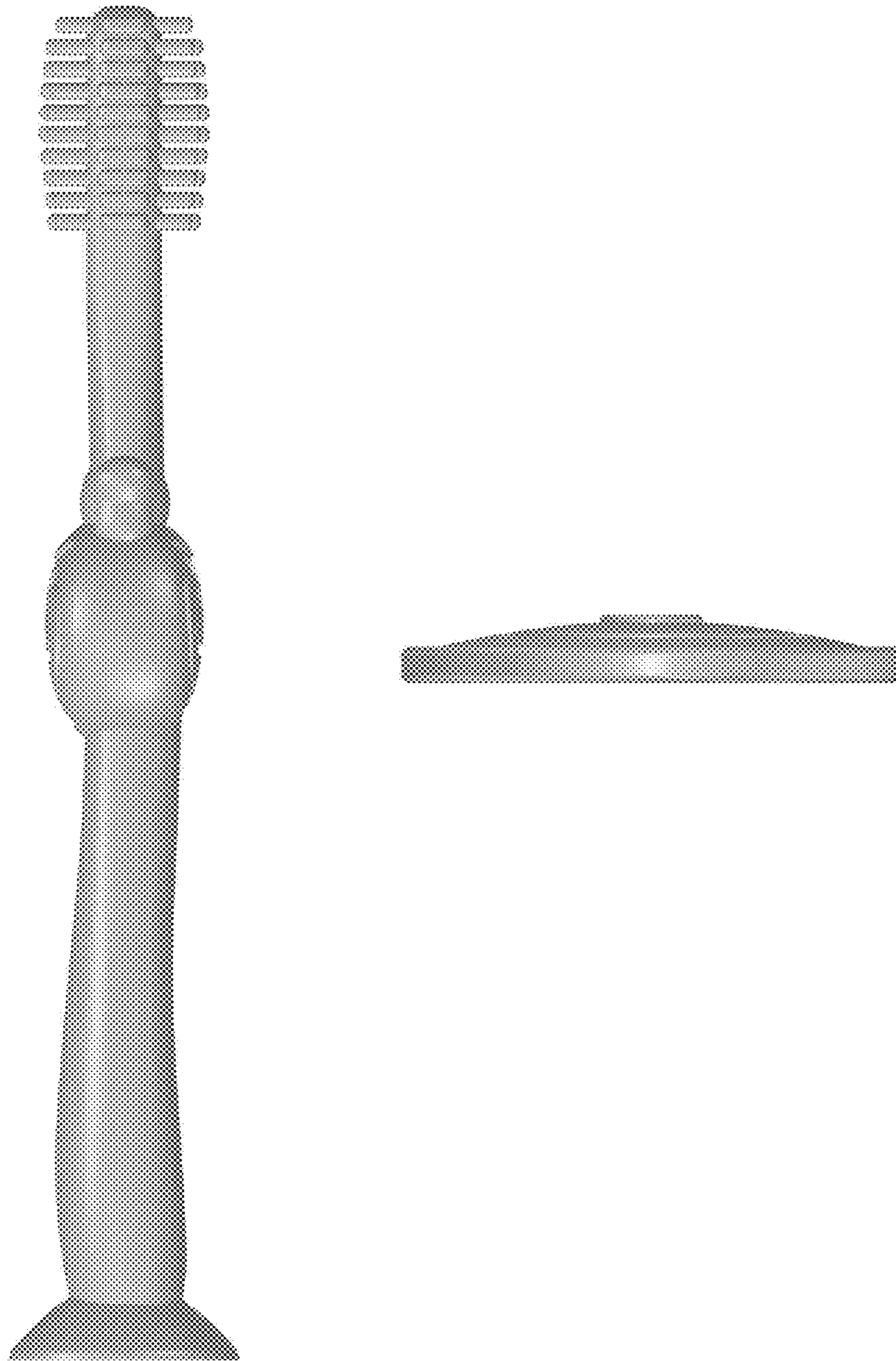


Fig. 9

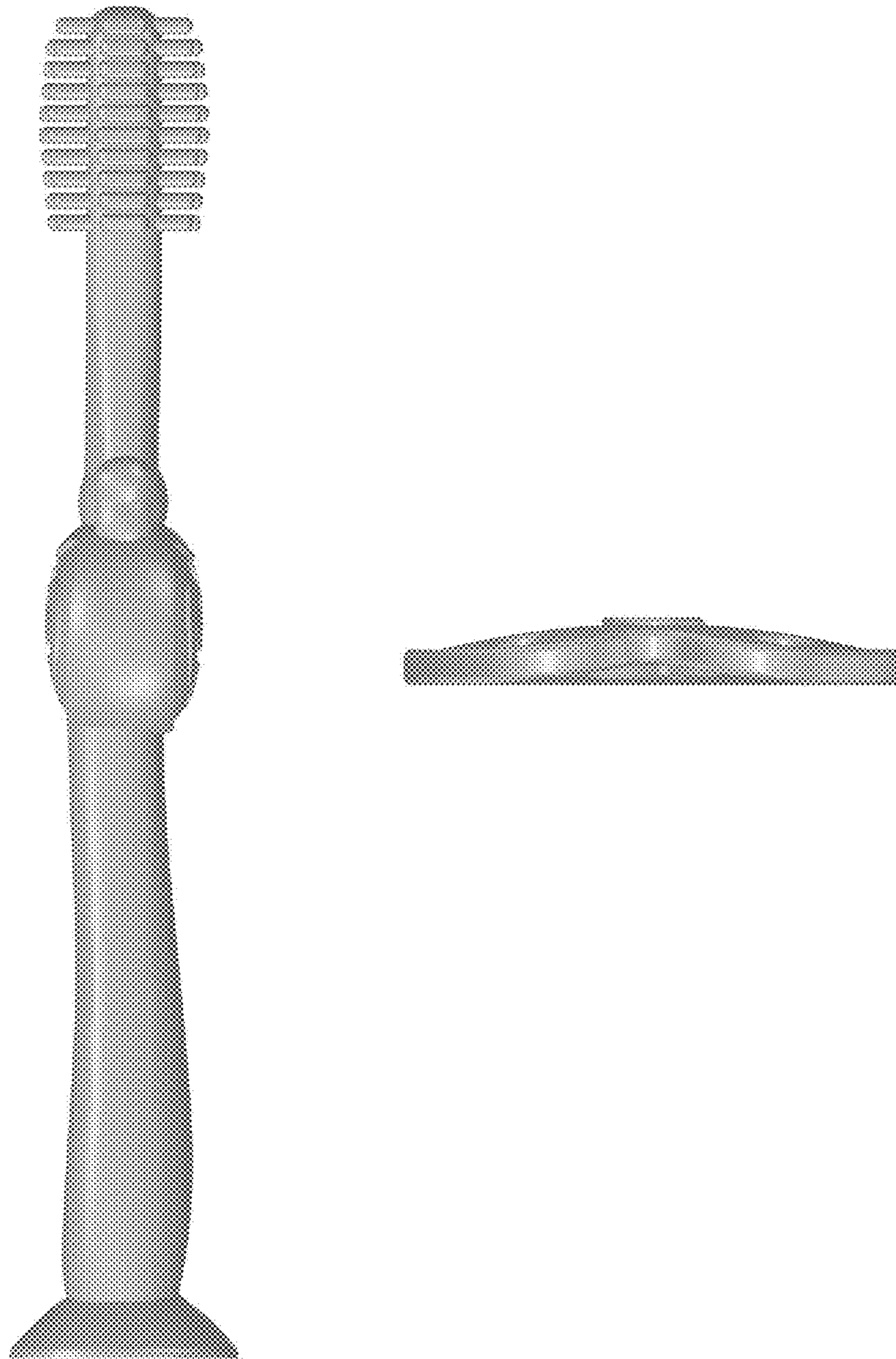


Fig. 10

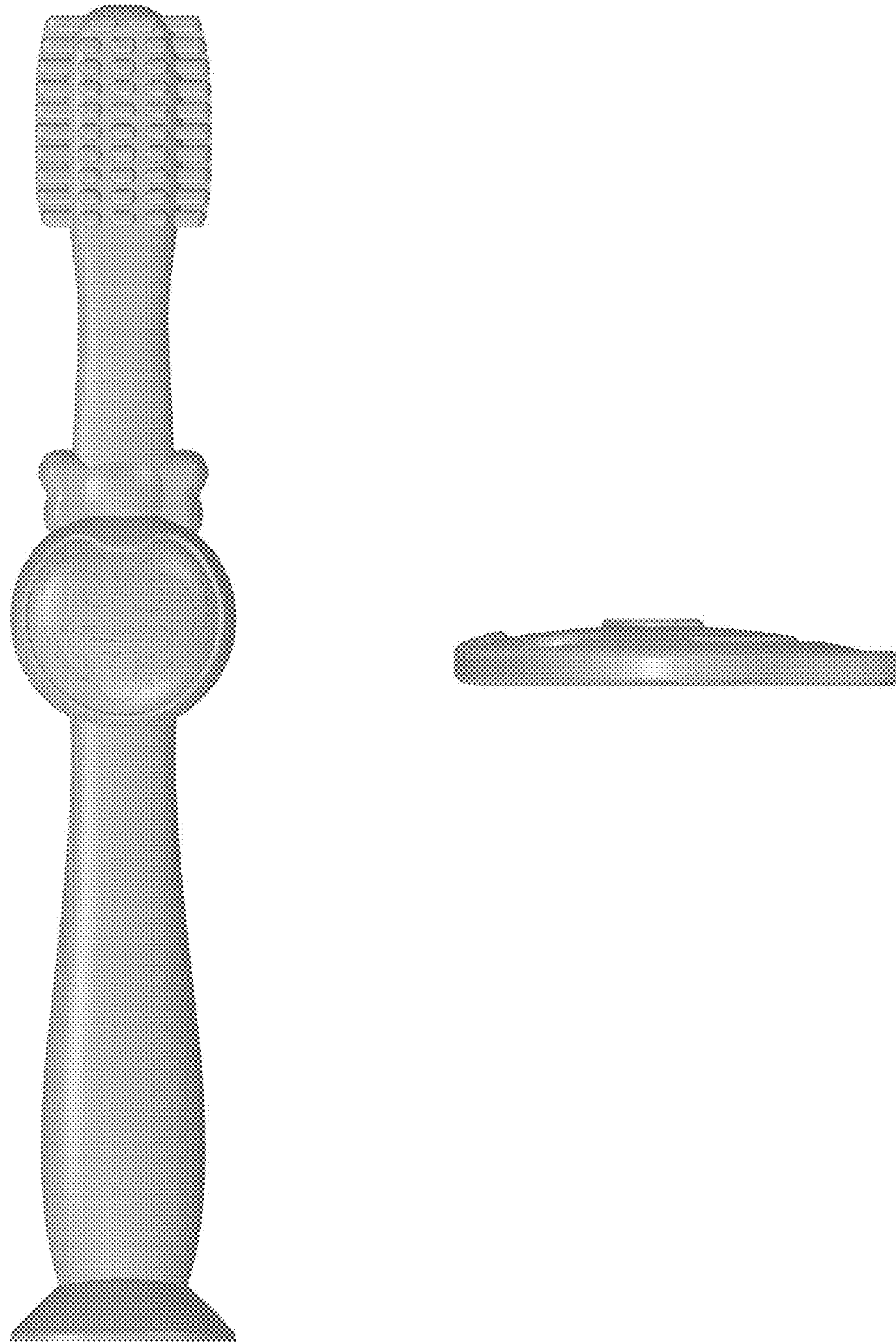


Fig. 11

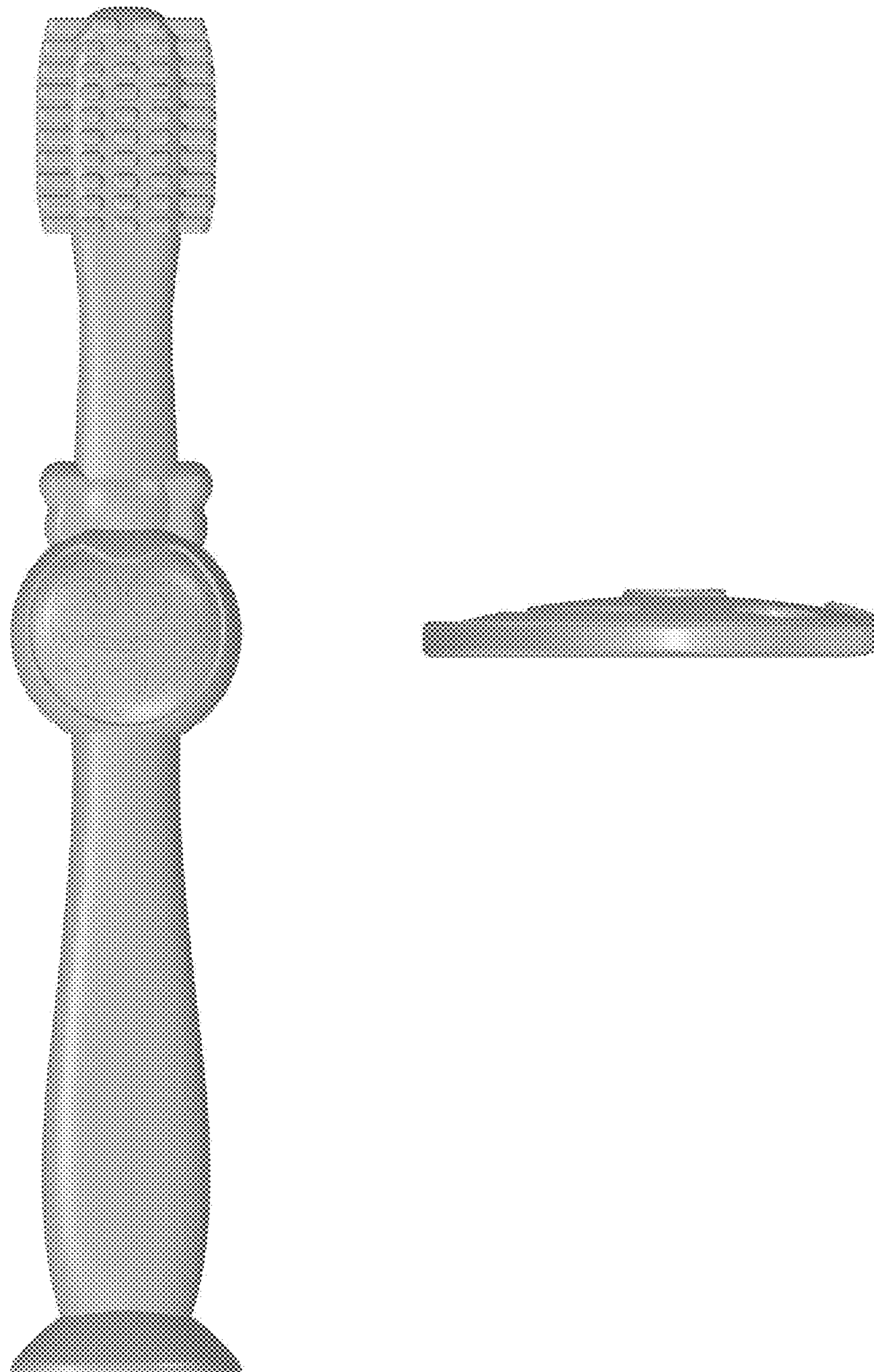


Fig. 12

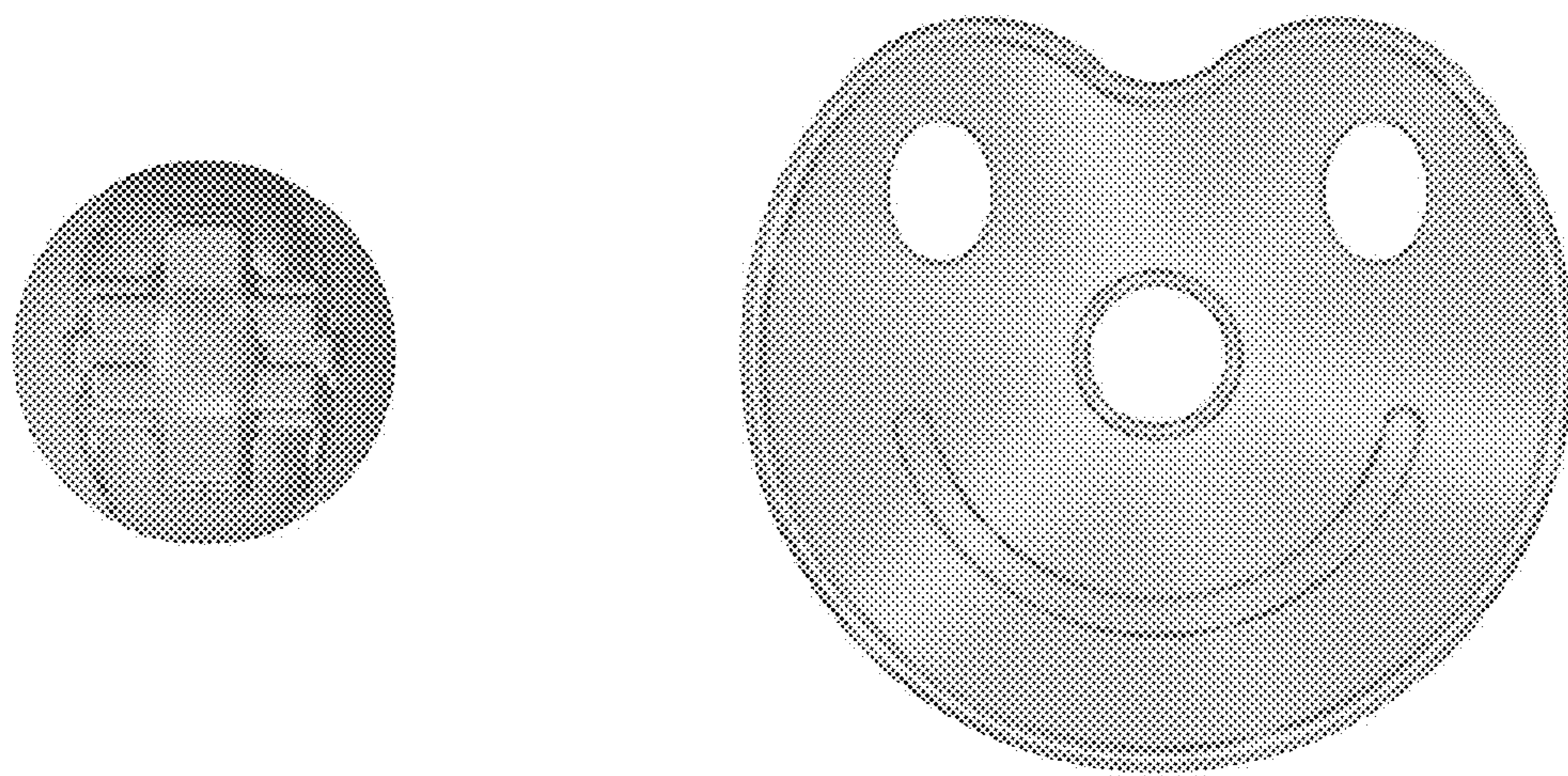


Fig. 13

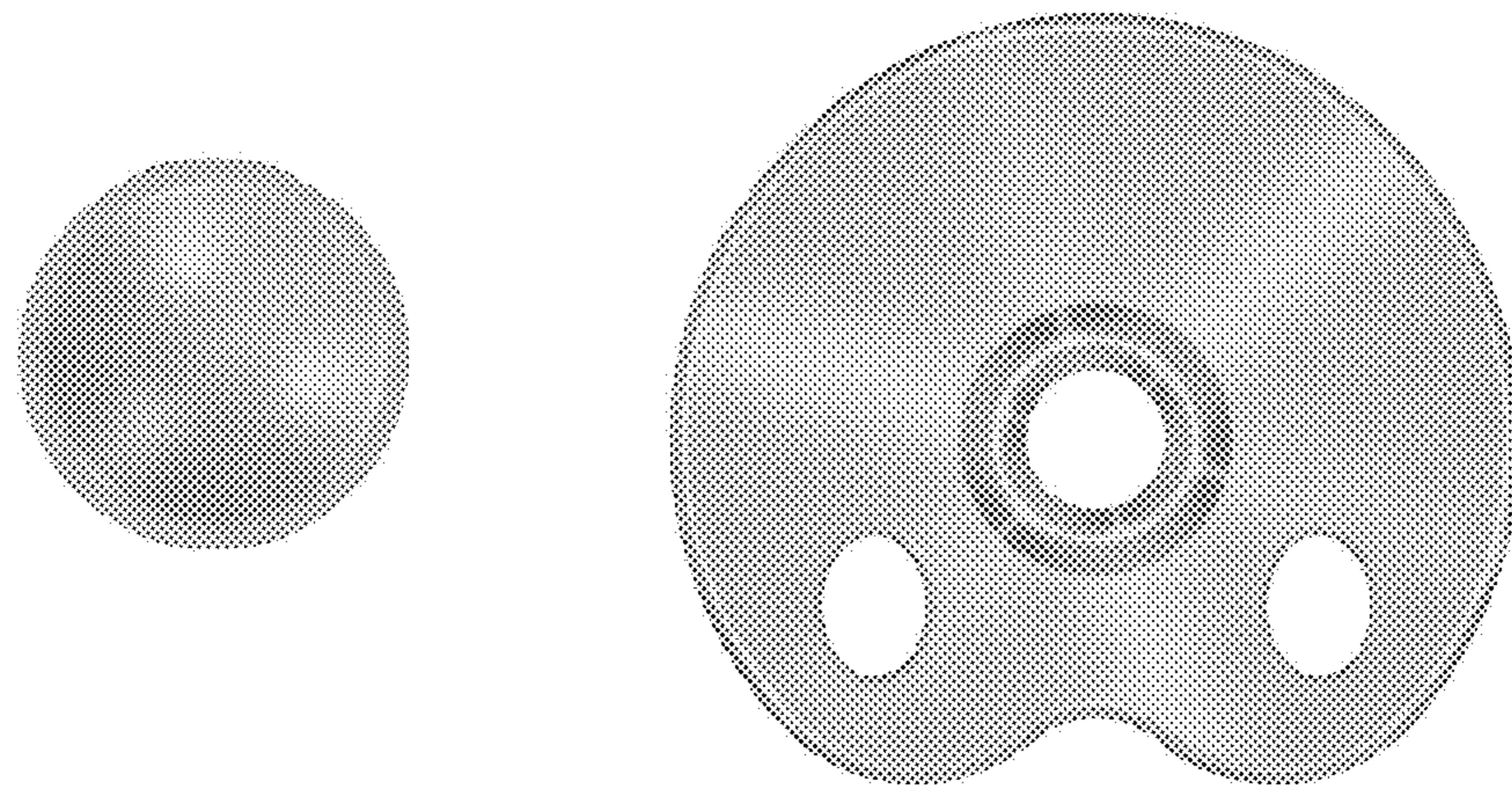


Fig. 14

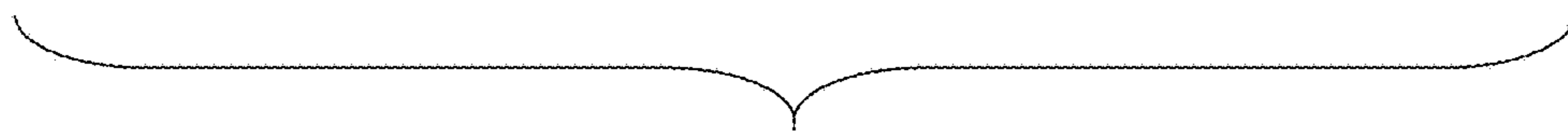


Fig. 15



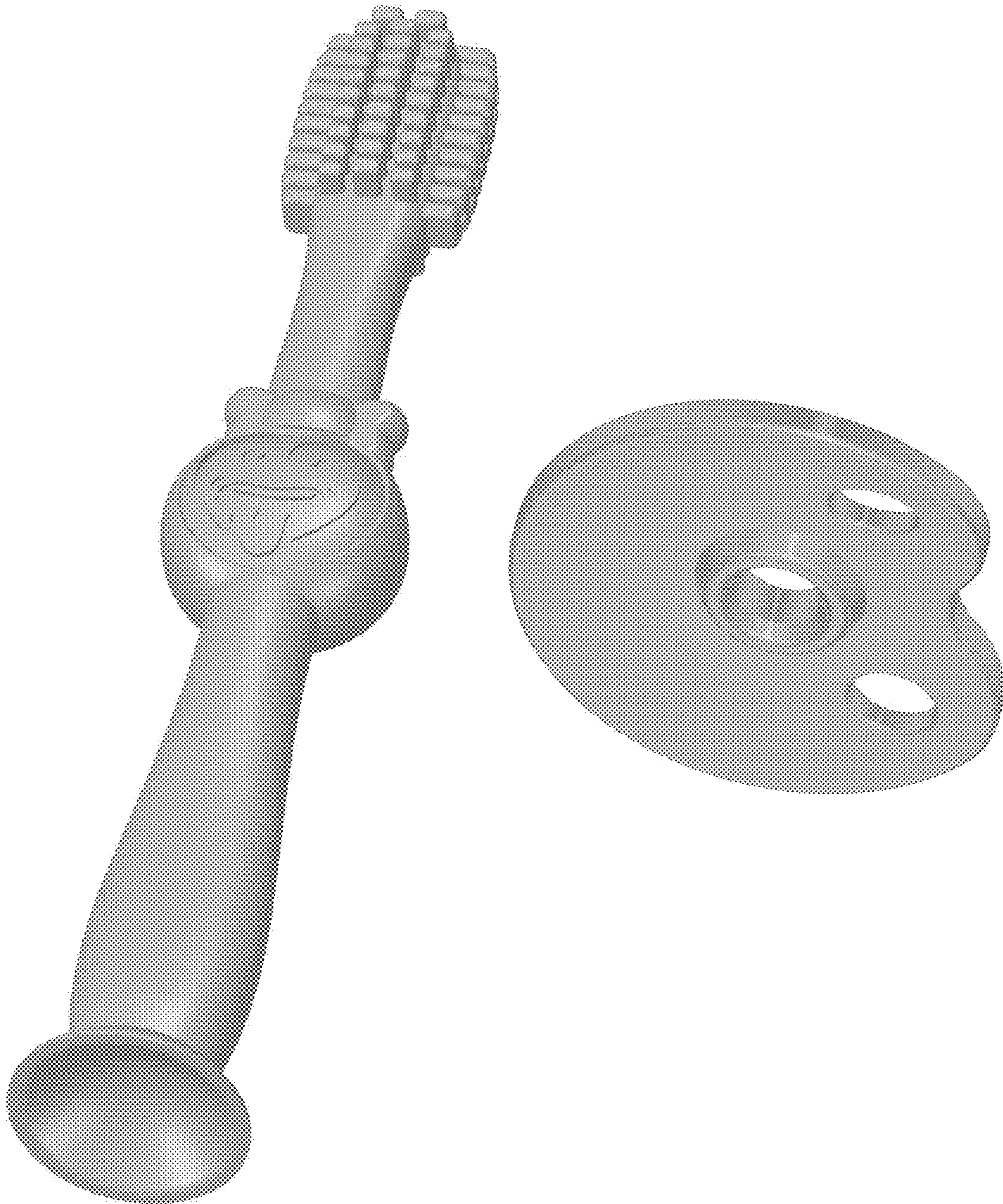


Fig. 16