



US00D853730S

(12) **United States Design Patent**
Zhou

(10) **Patent No.:** **US D853,730 S**
(45) **Date of Patent:** **** *Jul. 16, 2019**

- (54) **ELECTRIC TOOTHBRUSH**
- (71) Applicant: **Dongguan Ai Le Intelligent Technology Co., Ltd.**, Dongguan, Guangdong Province (CN)
- (72) Inventor: **Yinghao Zhou**, Nanchang (CN)
- (73) Assignee: **DONGGUAN AI LE INTELLIGENT TECHNOLOGY CO., LTD.**, Dongguan (CN)
- (*) Notice: This patent is subject to a terminal disclaimer.
- (**) Term: **15 Years**
- (21) Appl. No.: **29/612,519**
- (22) Filed: **Aug. 1, 2017**
- (51) **LOC (11) Cl.** **04-02**
- (52) **U.S. Cl.**
USPC **D4/101**
- (58) **Field of Classification Search**
USPC D4/100, 101, 104, 105, 108, 110, 111, D4/117, 127, 128, 129, 130, 132, 134, D4/138; D24/107, 11, 133, 152, 176
CPC .. A46B 1/00; A46B 5/00; A46B 5/021; A46B 5/023; A46B 5/026; A46B 5/0016; A46B 9/00; A46B 9/24; A46B 9/04; A46B 2200/00; A46B 2200/1006; A46B 2200/1026; A46B 2200/1066; A46B 2200/108; A46B 15/0055; A46B 15/0081; A61C 15/00; A61C 15/046; A61C 15/048; A61C 17/00; A61C 17/16; A61C 17/22; A61C 17/222; A61C 17/225
See application file for complete search history.

- D363,605 S * 10/1995 Kou D4/101
- 5,544,382 A * 8/1996 Giuliani A61C 17/22 15/22.1
- D505,015 S * 5/2005 Nanda D4/108
- D543,034 S * 5/2007 Winkler D4/101
- D661,098 S * 6/2012 Nanda D4/101
- D759,381 S * 6/2016 Watkins D4/101
- D765,415 S * 9/2016 Zhen D4/101
- D778,433 S * 2/2017 Li D24/111
- D787,189 S * 5/2017 Fretwell D4/101
- D795,419 S * 8/2017 Kohler D24/111
- 2005/0272002 A1* 12/2005 Chenvainu A61C 1/0061 433/80
- 2007/0094822 A1* 5/2007 Gatznerneyer A46B 15/0002 15/105

(Continued)

FOREIGN PATENT DOCUMENTS

- EP 2196168 A1 * 6/2010 A45D 44/18
- WO WO-2017195631 A1 * 11/2017 A46B 9/04

Primary Examiner — Wan Laymon
Assistant Examiner — Clint A Samuel

(57) **CLAIM**

The ornamental design for an electric toothbrush, as shown and described.

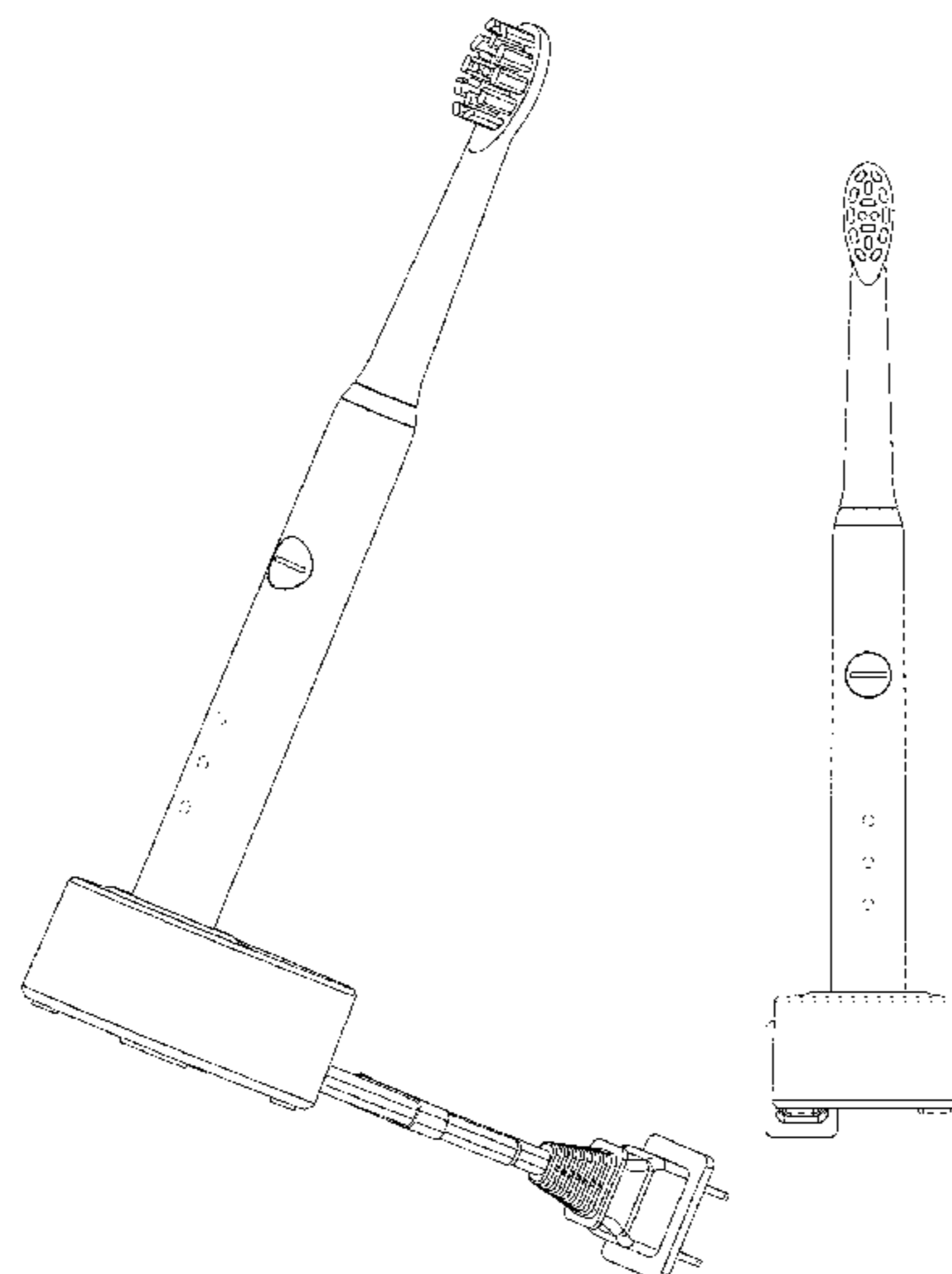
DESCRIPTION

FIG. 1 is perspective front view of an electric toothbrush; FIG. 2 is a front view of thereof; FIG. 3 is a rear view of thereof; FIG. 4 is a right view of thereof; FIG. 5 is a left view of thereof; FIG. 6 is a top view of thereof; and, FIG. 7 is a bottom view of thereof.
The broken lines in the drawings are for the purpose of illustrating portions of the electric toothbrush that form no part of the claimed design.

1 Claim, 7 Drawing Sheets

(56) **References Cited**
U.S. PATENT DOCUMENTS

- D303,876 S * 10/1989 Clemens D4/101
- 4,880,382 A * 11/1989 Moret A46B 15/0055 132/309



(56)

References Cited

U.S. PATENT DOCUMENTS

2007/0157942 A1* 7/2007 Adkins A45D 19/02
132/112
2016/0287363 A1* 10/2016 Miller A61C 17/221
2017/0119510 A1* 5/2017 Tomori A61C 17/224

* cited by examiner

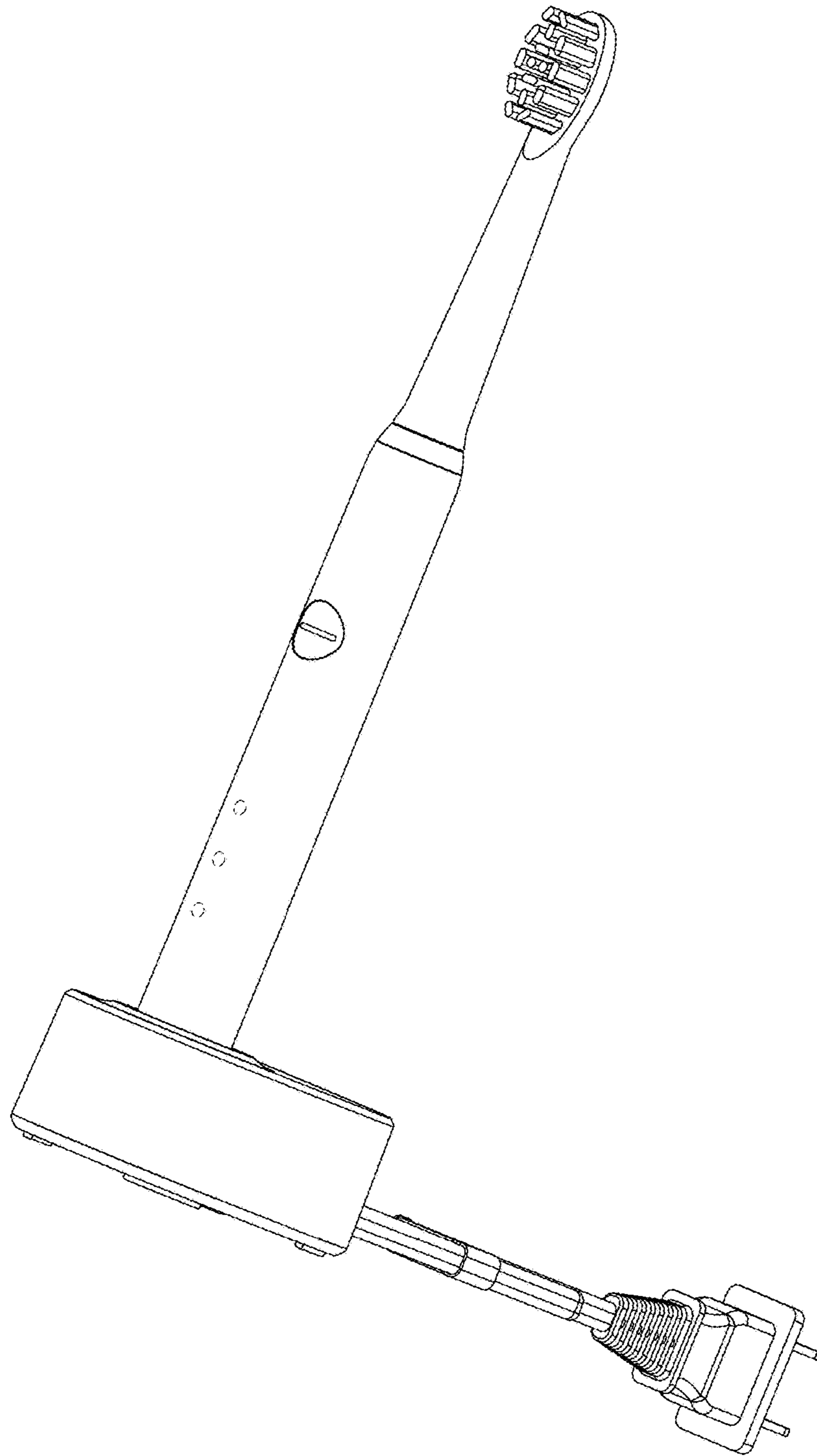


FIG. 1

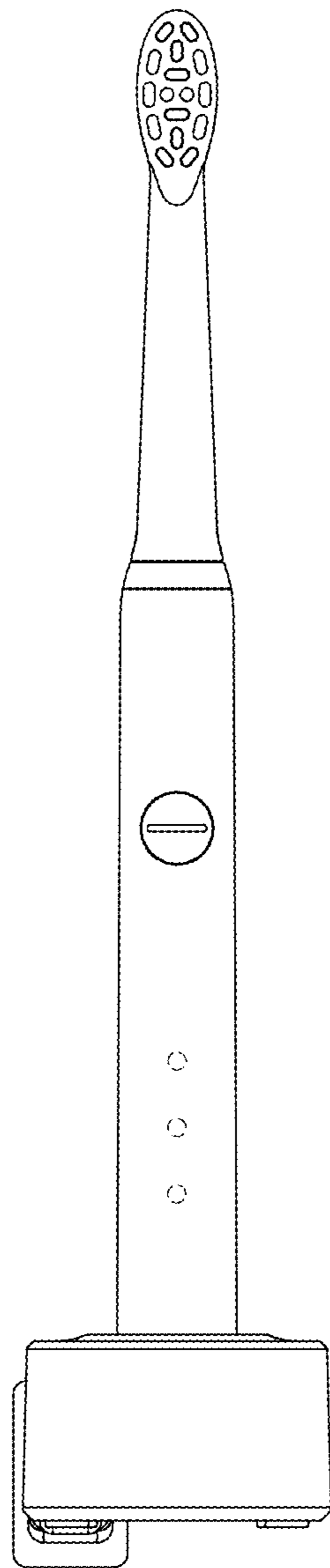


FIG. 2

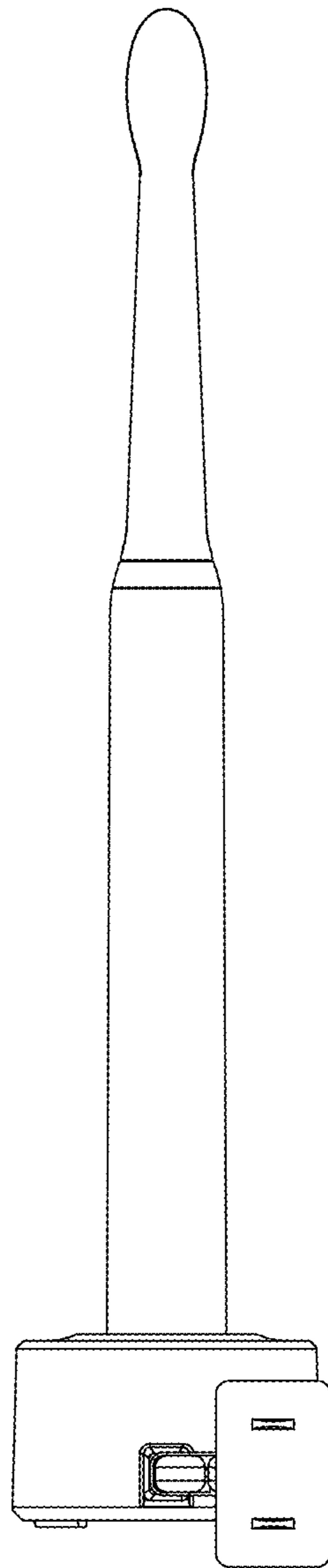


FIG. 3

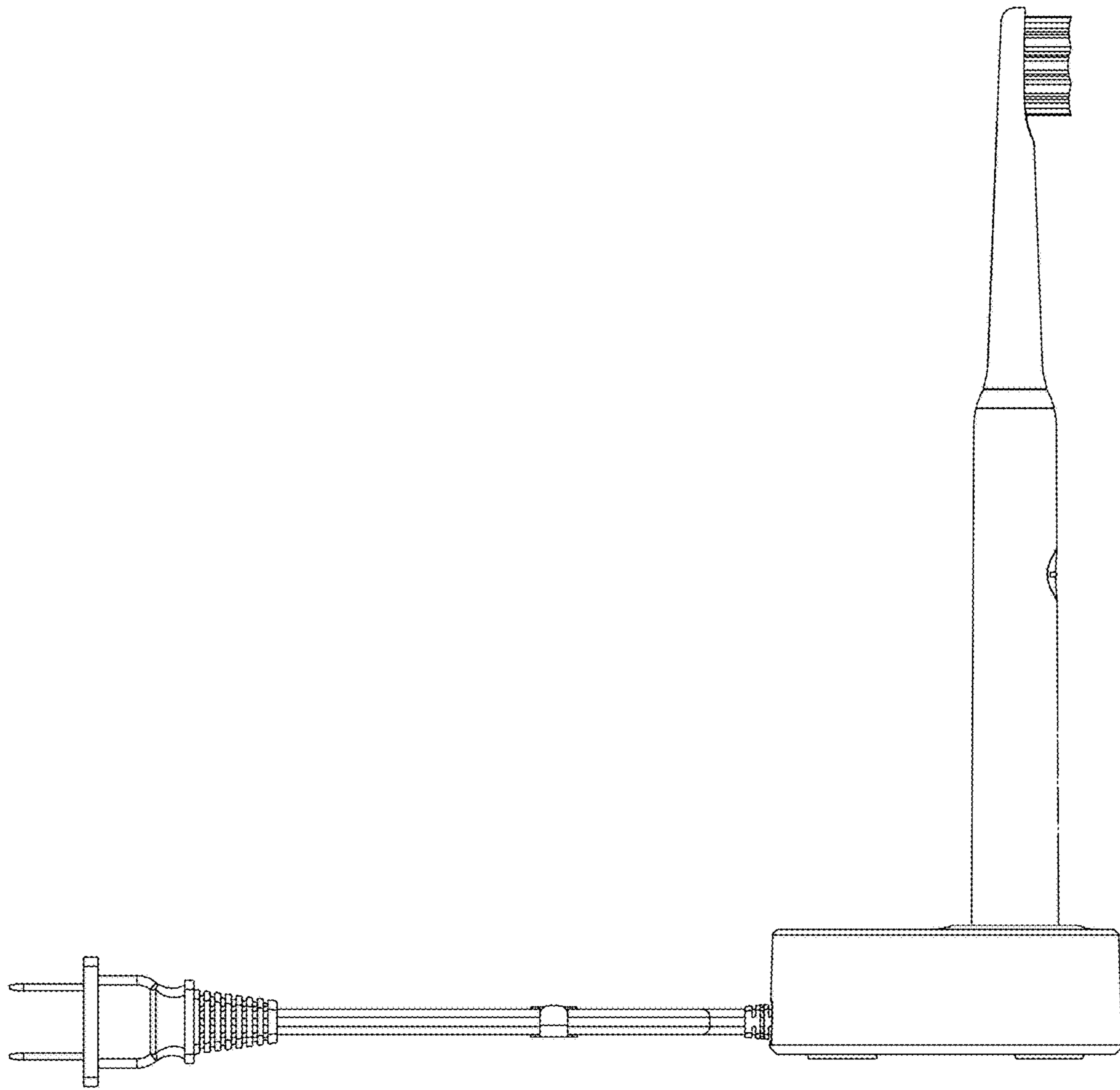


FIG. 4

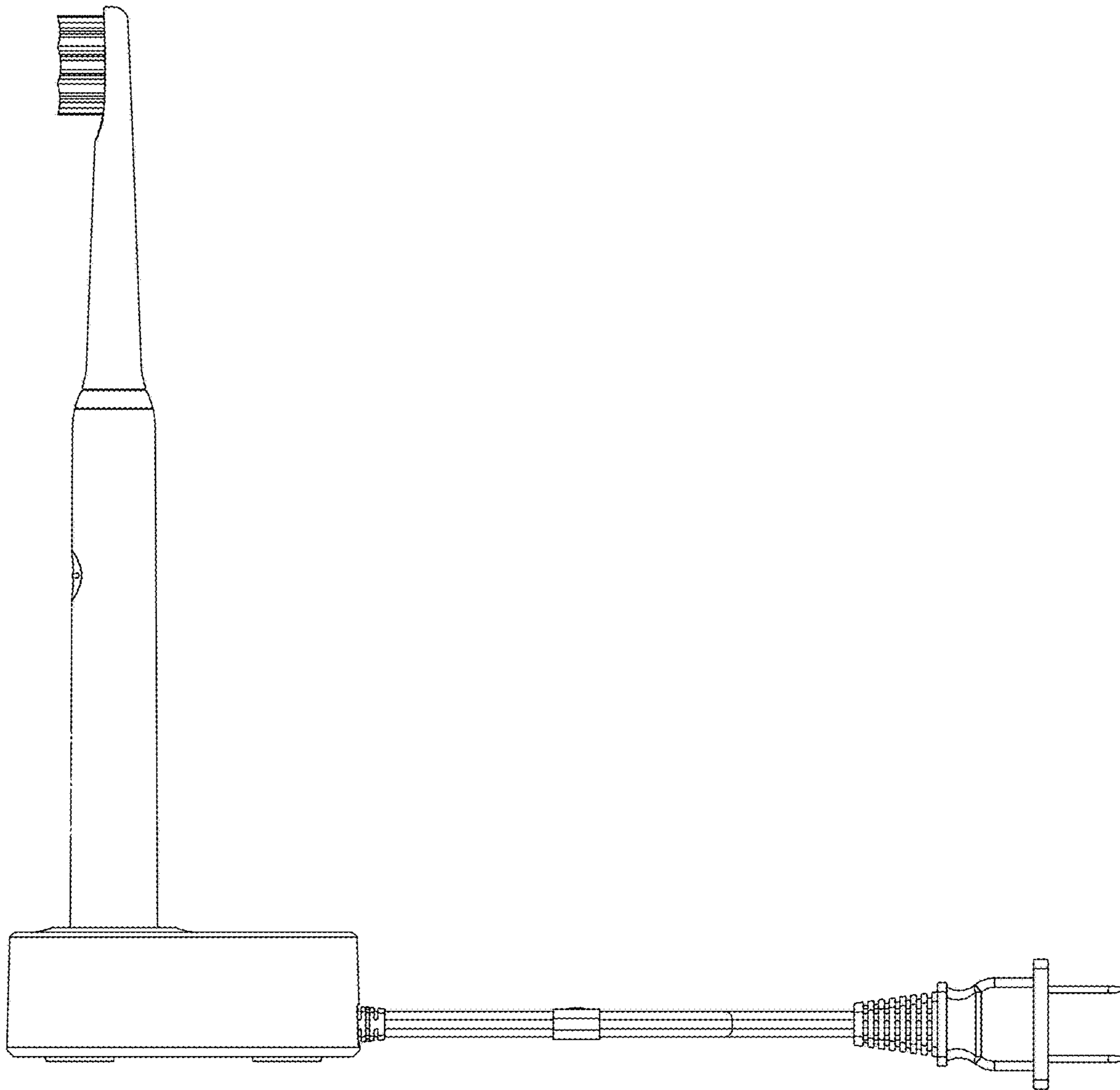


FIG. 5

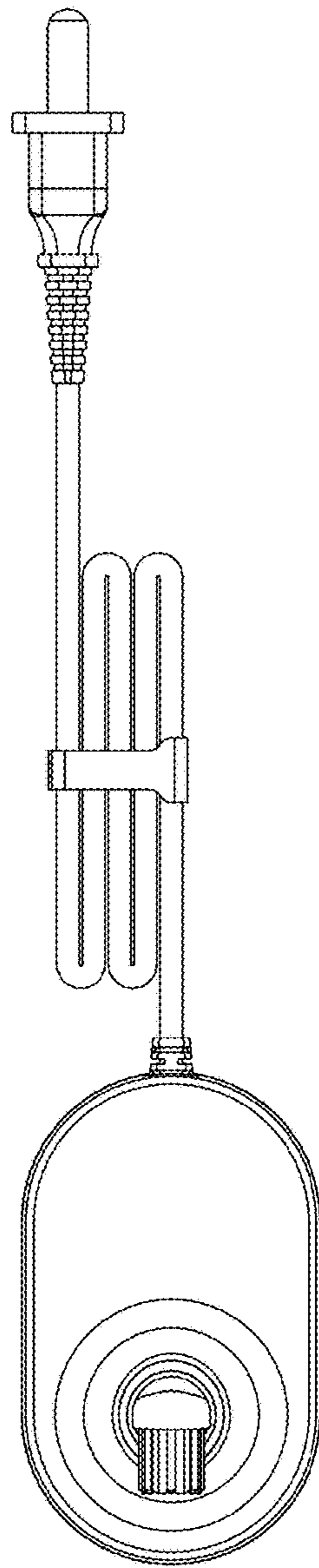


FIG. 6

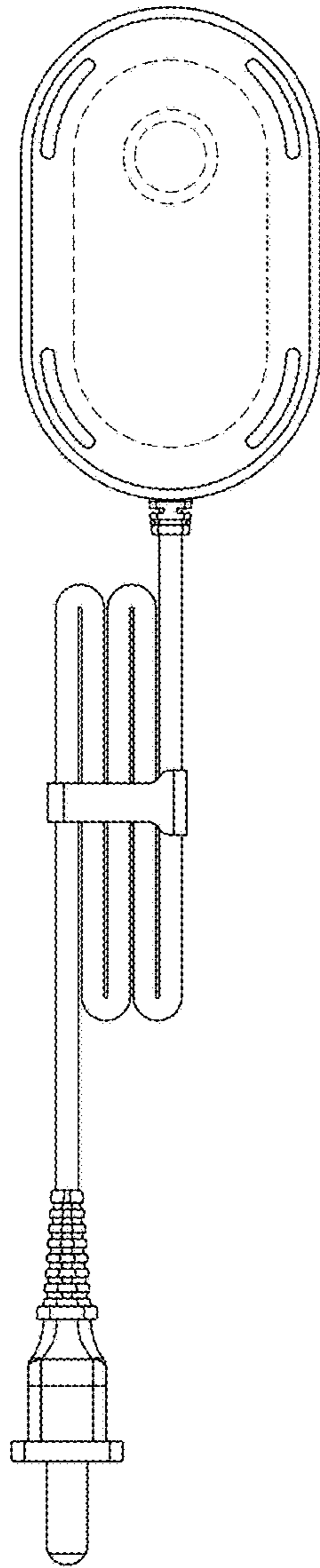


FIG. 7