



US00D853728S

(12) **United States Design Patent** (10) **Patent No.:** **US D853,728 S**
Seiders et al. (45) **Date of Patent:** **** Jul. 16, 2019**

(54) **BAG**
(71) Applicant: **YETI Coolers, LLC**, Austin, TX (US)
(72) Inventors: **Roy Joseph Seiders**, Austin, TX (US);
Dustin Bullock, Austin, TX (US)
(73) Assignee: **YETI Coolers, LLC**, Austin, TX (US)
(**) Term: **15 Years**
(21) Appl. No.: **29/656,782**
(22) Filed: **Jul. 16, 2018**

D422,411 S 4/2000 Martin
D447,632 S 9/2001 Gisser
6,409,066 B1 6/2002 Schneider et al.
6,640,856 B1 11/2003 Tucker
D491,354 S 6/2004 Chapelier
6,810,933 B2 11/2004 Gordon et al.
7,071,150 B2 7/2006 Genuyt et al.
(Continued)

FOREIGN PATENT DOCUMENTS

CA 2483802 A1 4/2006
CA 2499291 A1 9/2006
(Continued)

OTHER PUBLICATIONS

Reusable Shopping Bag, ADK Packworks™ The Packbasket™
Reusable Shopping Bag, [retrieved Jun. 13, 2017], Date unknown
but at least as early as Jun. 13, 2017.
(Continued)

Related U.S. Application Data

(63) Continuation of application No. 29/595,112, filed on
Feb. 24, 2017, now Pat. No. Des. 822,998.
(51) **LOC (11) Cl.** **03-01**
(52) **U.S. Cl.**
USPC **D3/318**
(58) **Field of Classification Search**
USPC D3/232–233, 240–243, 245–246, 318
CPC A45C 1/024; A45C 3/06
See application file for complete search history.

Primary Examiner — Holly H Baynham
(74) *Attorney, Agent, or Firm* — Banner & Witcoff, Ltd.

(57) **CLAIM**

The ornamental design for a bag, as shown and described.

(56) **References Cited**

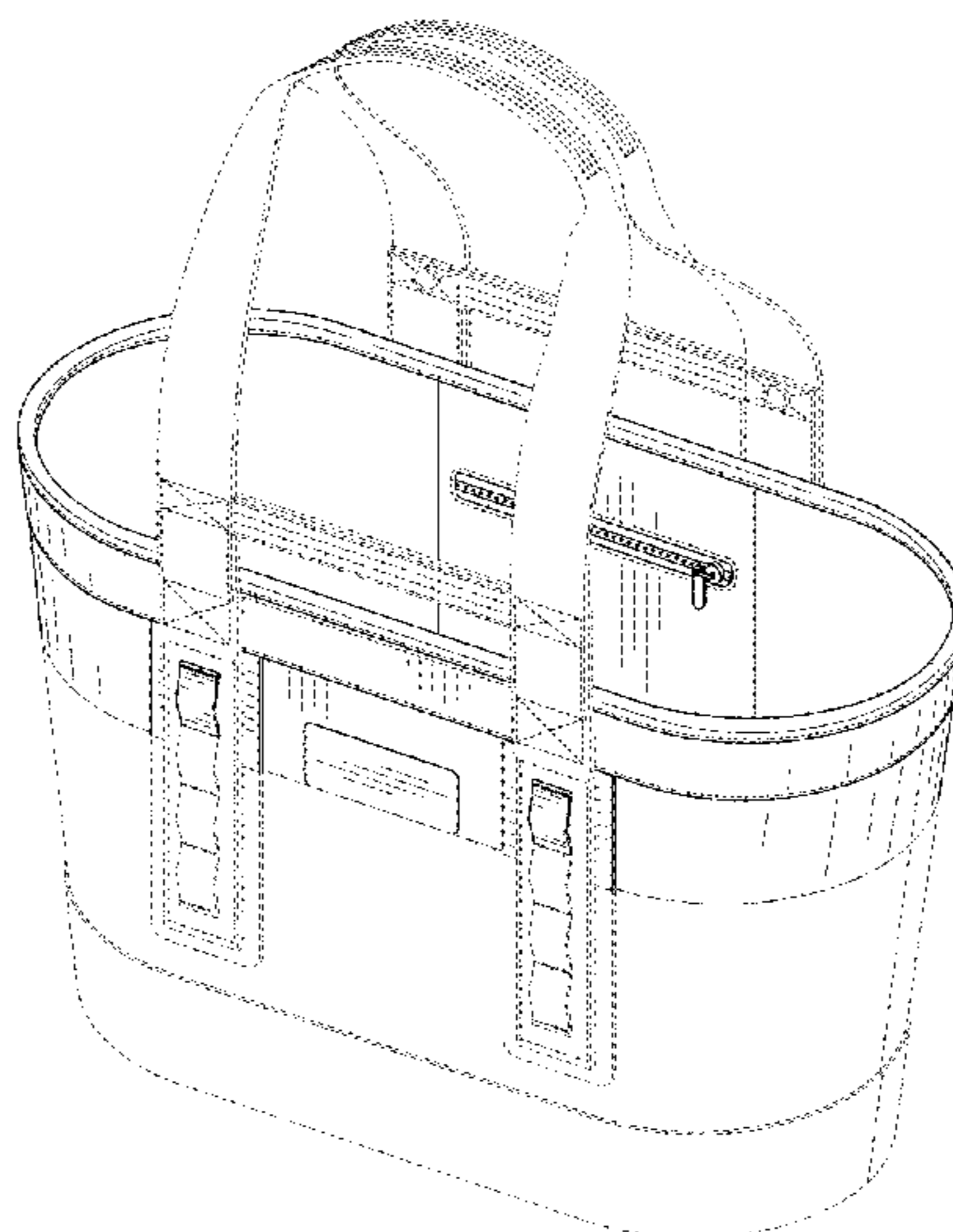
U.S. PATENT DOCUMENTS

1,001,729 A 8/1911 Buchanan et al.
2,575,191 A 11/1951 Seipp
4,116,253 A 9/1978 Watsky
4,211,091 A 7/1980 Campbell
D265,948 S 8/1982 Stark
D281,546 S 12/1985 Bradshaw
4,723,300 A 2/1988 Aranow
4,812,054 A 3/1989 Kirkendall
4,961,522 A 10/1990 Weber
5,490,396 A 2/1996 Morris
5,507,542 A 4/1996 Eden
5,813,445 A 9/1998 Christman
5,848,734 A 12/1998 Melk

DESCRIPTION

FIG. 1 is a top, front, right perspective view of a bag
showing our new design;
FIG. 2 is a right side view thereof; and,
FIG. 3 is a left side view thereof.
The even-length broken lines within the shaded area repre-
sent stitching. The uneven-length broken lines represent
unclaimed boundaries of the claimed design. The even-
length broken lines showing the remainder of the bag
represent unclaimed subject matter and form no part of the
claimed design.

1 Claim, 2 Drawing Sheets



(56)

References Cited

U.S. PATENT DOCUMENTS

7,073,942 B2 7/2006 Vazquez
 D526,120 S 8/2006 Lee et al.
 D535,820 S 1/2007 Kamiya
 D536,170 S 2/2007 Elson
 D587,010 S 2/2009 Deck
 7,581,886 B2 9/2009 Nitti
 7,597,478 B2 10/2009 Pruchnicki et al.
 D603,606 S 11/2009 Wang
 7,682,080 B2 3/2010 Mogil
 D617,553 S 6/2010 Shaw
 7,762,294 B2 7/2010 Wang
 D621,609 S 8/2010 Hasty
 D626,329 S 11/2010 Chapelier
 D629,612 S 12/2010 Weldon
 D630,844 S 1/2011 Wang et al.
 D632,074 S 2/2011 Chan et al.
 D637,809 S 5/2011 Meldeau
 D651,397 S 1/2012 Lett
 8,092,087 B2 1/2012 Simhony et al.
 8,132,601 B2 3/2012 Wang
 D663,522 S 7/2012 Schiffman
 D673,772 S 1/2013 Munson et al.
 D684,767 S 6/2013 Gerbi
 D686,412 S 7/2013 Guichot
 D690,100 S 9/2013 Alfaks
 D695,568 S 12/2013 Hayes
 D701,041 S 3/2014 Burnett
 D711,096 S 8/2014 Hanna
 D711,098 S 8/2014 Rossignuolo
 D711,100 S 8/2014 Dingizian
 D715,544 S 10/2014 Levine
 D717,040 S 11/2014 Swartzel et al.
 D717,041 S 11/2014 Pulliam
 D732,348 S 6/2015 Seiders et al.
 D732,349 S 6/2015 Seiders et al.
 D732,350 S 6/2015 Seiders et al.
 D732,899 S 6/2015 Seiders et al.
 D739,654 S 9/2015 Brouard
 D743,699 S 11/2015 Wieden
 D745,268 S 12/2015 Slimane
 9,254,022 B2 2/2016 Meldeau et al.
 D752,347 S 3/2016 Seiders et al.
 D752,860 S 4/2016 Barilaro et al.
 9,307,814 B2 4/2016 Pulliam
 D758,717 S 6/2016 Joo et al.
 D758,731 S 6/2016 Noh
 D760,494 S 7/2016 Harvey-Pankey
 D761,561 S 7/2016 Cheng
 D762,378 S 8/2016 Domotor et al.
 D763,570 S 8/2016 Potts
 D763,575 S 8/2016 Tiscareno-Rippe et al.
 D764,791 S * 8/2016 Patel D3/232
 D765,394 S 9/2016 Moore
 D768,987 S 10/2016 Blumenfeld
 D769,616 S 10/2016 Keene
 D770,759 S 11/2016 Gamble et al.
 D770,763 S 11/2016 Joo et al.
 D773,813 S 12/2016 Jakubowski
 D774,747 S 12/2016 Gamble et al.
 D776,929 S 1/2017 Noh
 D778,045 S 2/2017 Ruddis
 9,578,937 B2 2/2017 Kern et al.
 D784,010 S * 4/2017 Dumas D3/232
 D785,325 S 5/2017 Samrelius et al.
 D785,930 S 5/2017 Sassi
 D787,818 S 5/2017 Gerbelle
 D787,823 S 5/2017 Nair
 D789,081 S 6/2017 Sassi
 D789,082 S 6/2017 Barilaro et al.
 D802,297 S 11/2017 Dumas
 D808,157 S 1/2018 Viger et al.
 D814,793 S 4/2018 Dean
 D819,967 S 6/2018 Carter et al.
 D821,092 S 6/2018 Starck
 D821,094 S 6/2018 Dragicevic

2005/0028910 A1 2/2005 Duty
 2006/0198562 A1 9/2006 Mogil
 2006/0201979 A1 9/2006 Achilles
 2010/0084443 A1 4/2010 Adelman
 2010/0200450 A1 8/2010 Weed
 2010/0282378 A1 11/2010 Scozzafava
 2011/0036473 A1 2/2011 Chan et al.
 2011/0167863 A1 7/2011 Herrbold
 2011/0283519 A1 11/2011 Pranger
 2011/0311166 A1 12/2011 Pascua
 2012/0328220 A1 12/2012 Kayata
 2014/0369629 A1 12/2014 De La Fuente Lara
 2015/0225164 A1 8/2015 Seiders et al.
 2015/0265020 A1 9/2015 McCue et al.
 2016/0338462 A1 11/2016 Hayashi
 2017/0071304 A1 3/2017 Wang
 2017/0099920 A1 4/2017 Bailey

FOREIGN PATENT DOCUMENTS

CA 2548064 A1 11/2007
 CN 2188899 Y 2/1995
 CN 1378928 A 11/2002
 CN 302137314 10/2012
 CN 302868215 7/2014
 CN 302877656 7/2014
 CN 304154180 6/2017
 CN 304181831 6/2017
 CN 304207295 7/2017
 CN 304342577 11/2017
 CN 304527075 3/2018
 EM 000122668-0002 5/2004
 EM 001067250-0003 2/2009
 EM 001188460-0003 2/2010
 EM 001188460-0004 2/2010
 EM 001909490-0001 8/2011
 EM 001952722-0008 11/2011
 EM 002073452-0001 8/2012
 EM 002085308-0003 8/2012
 EM 002163527-0017 1/2013
 EM 002225706-0001 5/2013
 EM 002262436-0001 7/2013
 EM 002264697-0002 7/2013
 EM 002284729-0004 8/2013
 EM 002476853-0001 6/2014
 EM 002476853-0002 6/2014
 EM 002530519-0001 9/2014
 EM 002605345-0004 12/2014
 EM 002676536-0001 6/2015
 EM 002609404-0001 1/2016
 EM 003117324-0009 5/2016
 EM 003329929-0001 8/2016
 EM 003409044-0008 10/2016
 EM 003504331-0027 12/2016
 EM 003733021-0001 2/2017
 EP 0037545 A2 10/1981
 EP 1386557 A1 2/2004
 EP 003811264-0010 3/2017
 EP 003841857-0002 4/2017
 EP 004122430-0001 8/2017
 EP 004162337-0001 9/2017
 EP 004162337-0002 9/2017
 EP 004162337-0003 9/2017
 EP 004162337-0004 9/2017
 EP 004162337-0005 9/2017
 EP 004162337-0006 9/2017
 EP 004424059-0002 10/2017
 EP 004417749-0003 11/2017
 EP 004494086-0016 11/2017
 EP 004494086-0017 11/2017
 EP 002719245-0001 1/2018
 EP 005269248-0002 5/2018
 EP 005303559-0001 7/2018
 EP 005303559-0003 7/2018
 FR 1113757 A 4/1956
 WO 07071150 A1 6/2007
 WO 17017596 A1 2/2017

(56)

References Cited

FOREIGN PATENT DOCUMENTS

WO	17079315	A1	5/2017
WO	17088278	A1	6/2017
WO	17132598	A1	8/2017

OTHER PUBLICATIONS

Frakta Shopping bag, <http://www.ikea.com/us/en/catalog/products/17228340/>, [retrieved Jun. 13, 2017], Date unknown but at least as early as Jun. 13, 2017.

3Pcs Eco Friendly Large Capacity Reuseable Shopping bag, <http://www.dhgate.com/product/3pcs-eco-friendly-large-capacity-reuseable/395600522.html#s2-28-1;disc%7C2511216197>, [retrieved Jun. 13, 2017], Date unknown but as early as Jun. 13, 2017.

Wholesale Shopping Bag, <http://www.dhgate.com/product/2017-factory-wholesale-shopping-bags-polyester/394587619.html#s1-9-1;disc%7C3274647288>, [retrieved Jun. 13, 2017], Date unknown but as early as June 13, 2017.

Press Release—Portable Hopper 30 Cooler [online], [retrieved Jun. 14, 2017], Retrieved from Internet <URL: <http://yeti.com/press-releases/hopper-30>>; 2 color sheets, Dated Jul. 9, 2014.

Yeti Reinvents the Hopper [online], [retrieved Jun. 14, 2017], Retrieved from Internet <URL: <http://yeti.com/press-releases/hopper-two-soft-cooler>>; 2 color sheets, Dated Feb. 1, 2017.

RTIC, “RTIC Large Beach Bag” (<https://www.amazon.com/RTIC-Large-Beach-Bag/dp/B07FQYKF8Q?th=1>), first available online Jul. 20, 2018. (Year: 2018).

* cited by examiner

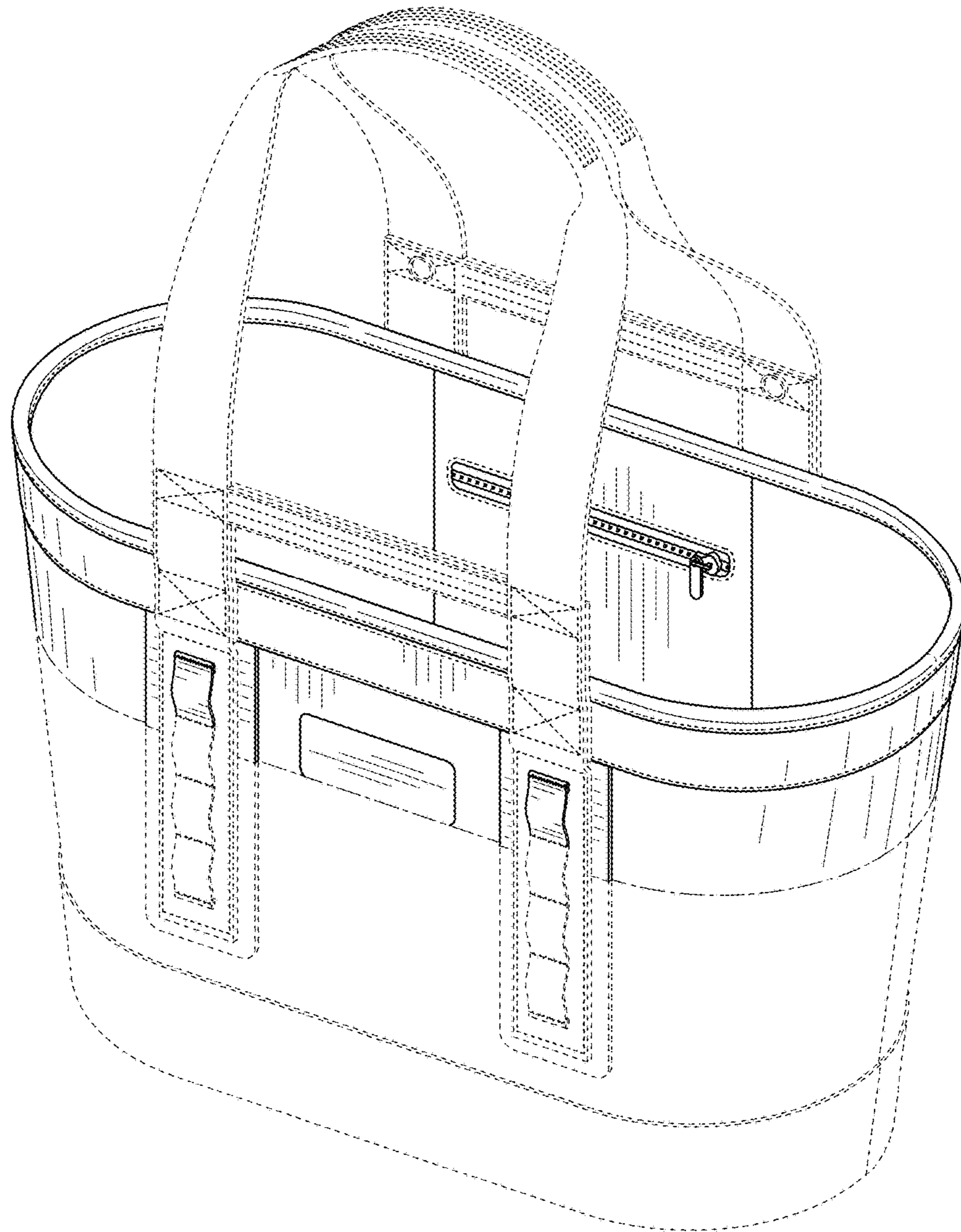


FIG. 1

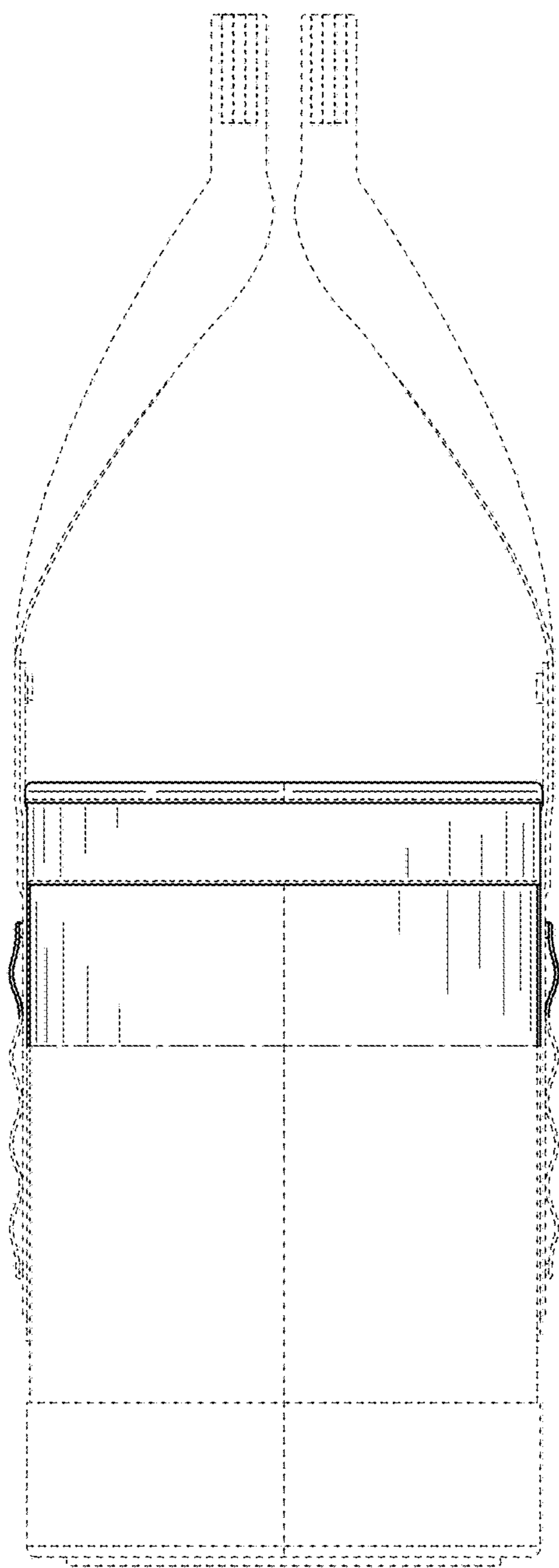


FIG. 2

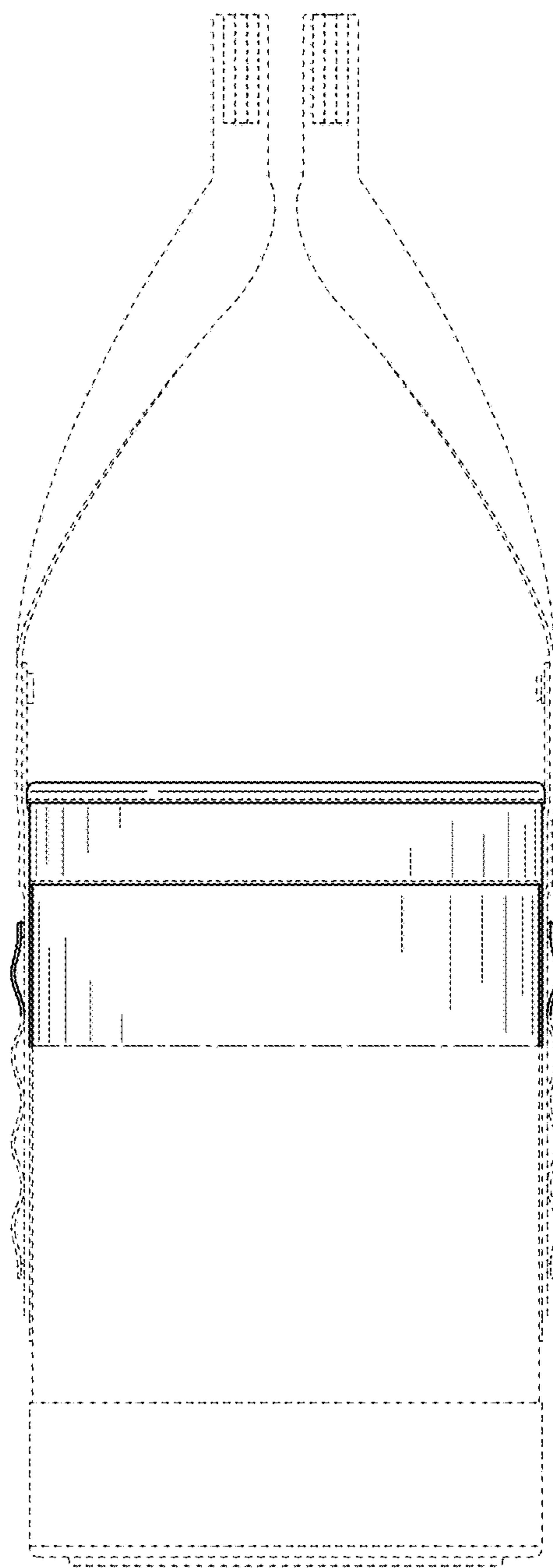


FIG. 3