



US00D853727S

(12) **United States Design Patent**  
**Blanton**

(10) **Patent No.:** **US D853,727 S**

(45) **Date of Patent:** **\*\* Jul. 16, 2019**

(54) **DETACHABLE BAG**

(71) Applicant: **Tamara Blanton**, Washington, DC (US)

(72) Inventor: **Tamara Blanton**, Washington, DC (US)

(\*\*) Term: **15 Years**

(21) Appl. No.: **29/638,246**

(22) Filed: **Feb. 26, 2018**

D702,434 S \* 4/2014 Chalk ..... D3/216  
D707,958 S \* 7/2014 Rubin ..... D3/216  
D802,295 S \* 11/2017 Wu ..... D3/217  
D805,761 S \* 12/2017 Garcia ..... D3/216

\* cited by examiner

*Primary Examiner* — Holly H Baynham

(74) *Attorney, Agent, or Firm* — Attentive Law, PLLC;  
Paul Ratcliffe

(57) **CLAIM**

The ornamental design for a detachable bag, as shown and described.

**Related U.S. Application Data**

(63) Continuation of application No. 15/444,315, filed on Feb. 27, 2017, now Pat. No. 9,901,161, which is a continuation of application No. 15/068,558, filed on Mar. 12, 2016, now Pat. No. 9,596,921.

(51) **LOC (11) Cl.** ..... **03-01**

(52) **U.S. Cl.**  
USPC ..... **D3/318**

(58) **Field of Classification Search**  
USPC ..... D3/216–217, 318  
CPC ..... A45F 4/02; A45F 3/04  
See application file for complete search history.

(56) **References Cited**

**U.S. PATENT DOCUMENTS**

D425,698 S \* 5/2000 Paul ..... D3/216  
D672,141 S \* 12/2012 Harbinson ..... D3/232

**DESCRIPTION**

This application is a continuation of application Ser. No. 15/863,885, filed Jan. 6, 2018, the entirety of which is incorporated herein by reference.

FIG. 1 is a perspective view of a detachable bag of the present invention;

FIG. 2 is a front plan view thereof;

FIG. 3 is back plan view thereof;

FIG. 4 is a right side elevational view thereof;

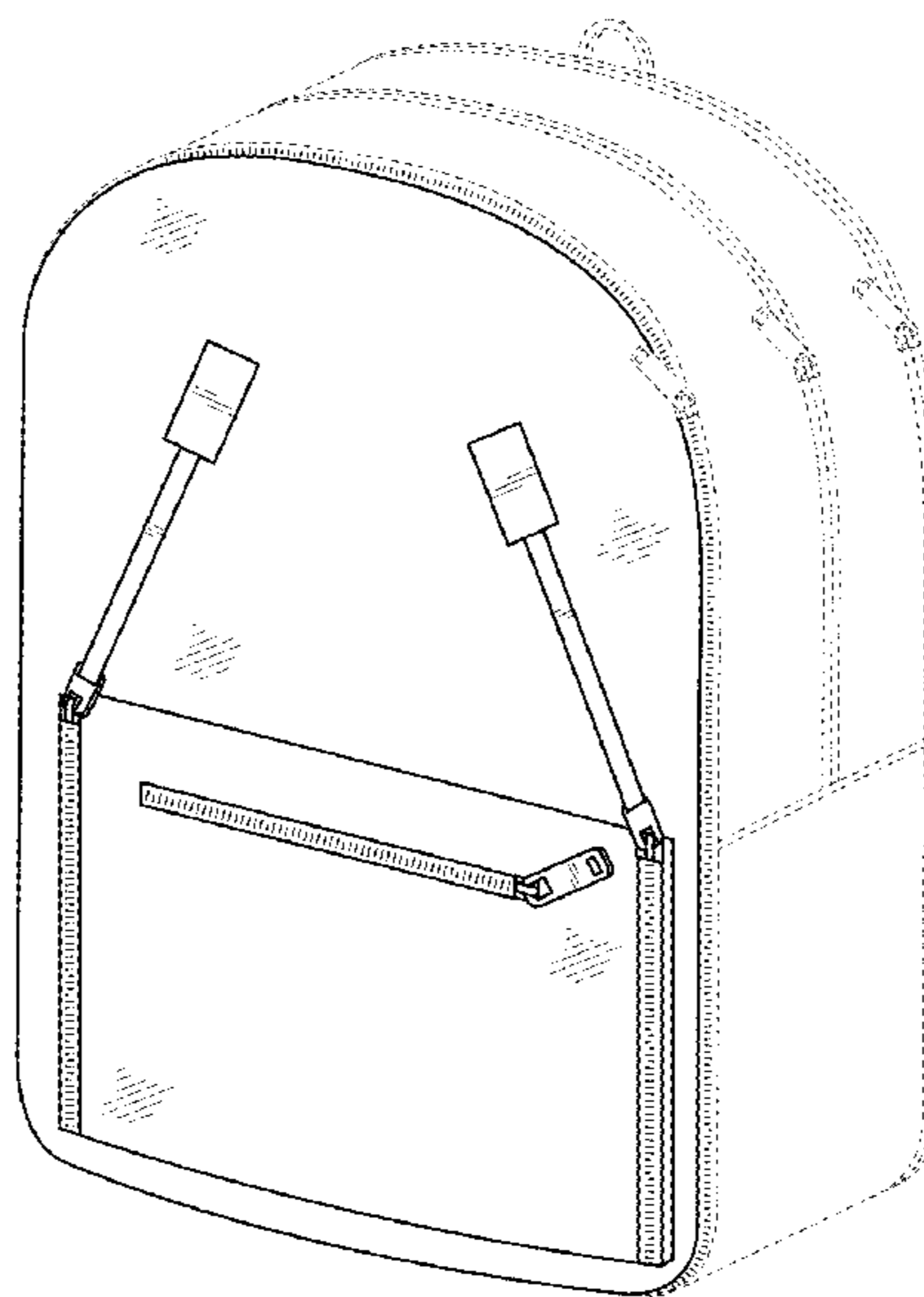
FIG. 5 is a left side elevational view thereof;

FIG. 6 is a top plan view thereof; and,

FIG. 7 is a bottom plan view thereof.

The broken lines showing a backpack are for the purposes of illustrating environment and form no part of the claimed design.

**1 Claim, 7 Drawing Sheets**



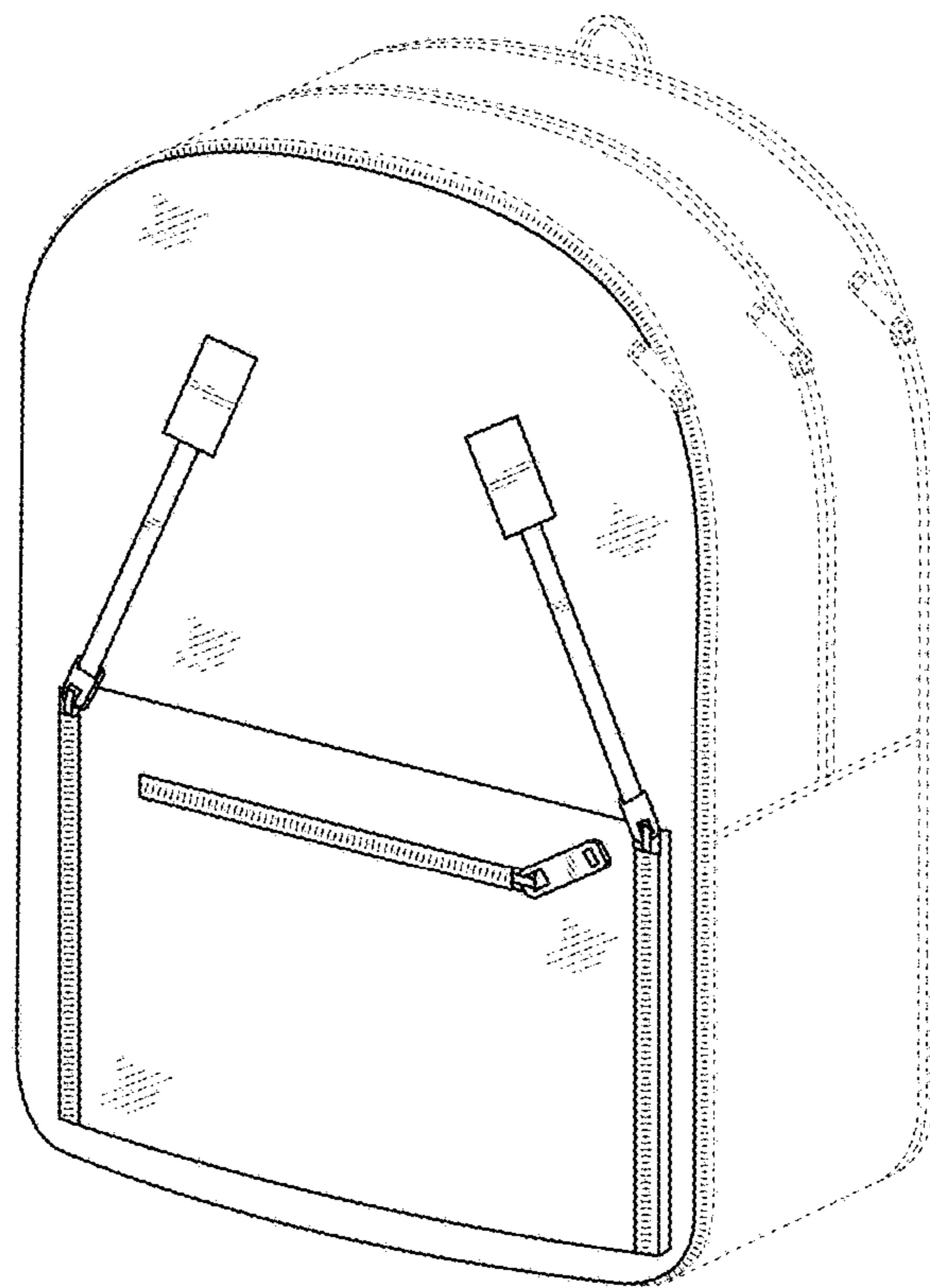


FIG. 1

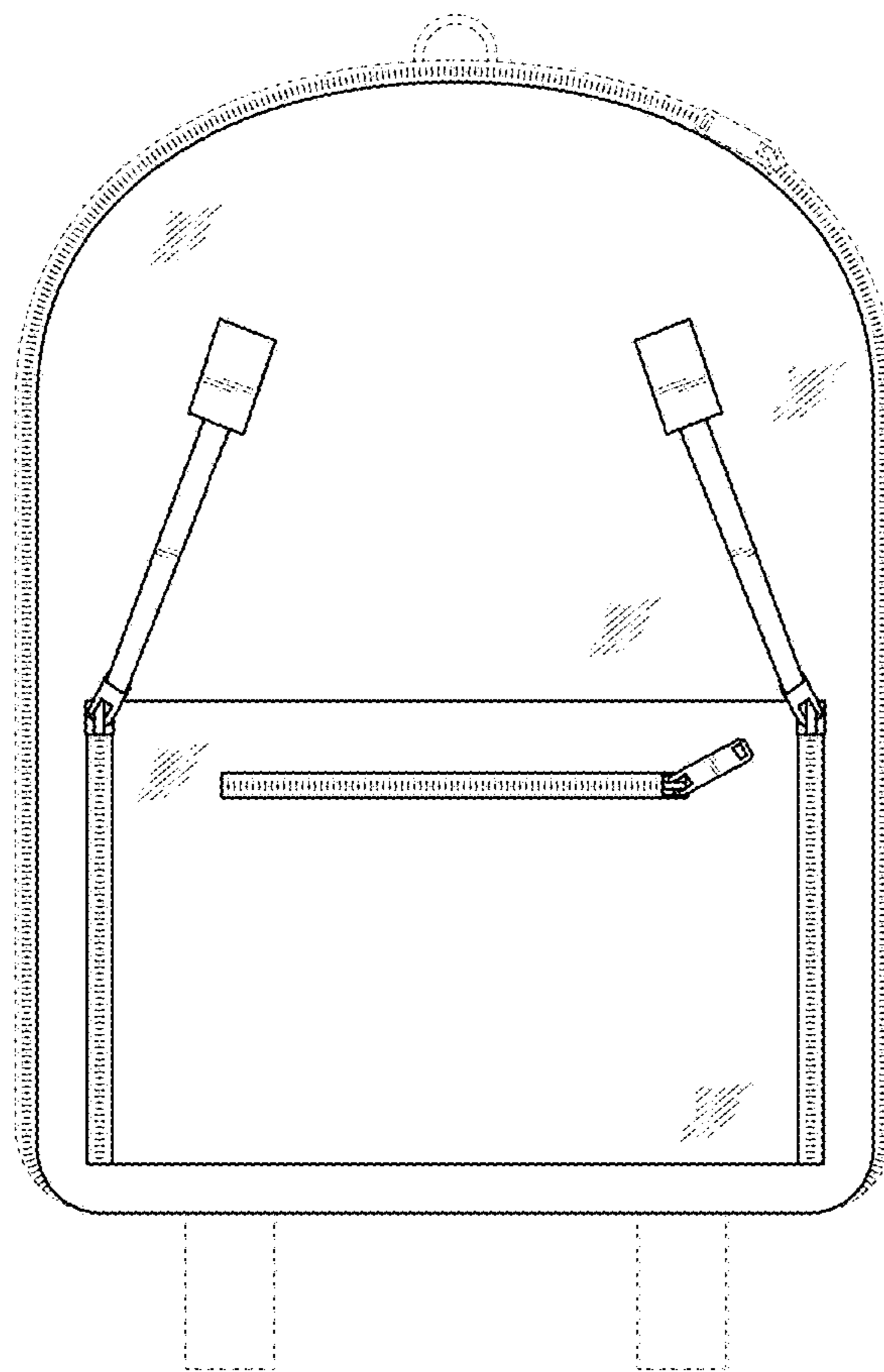


FIG. 2

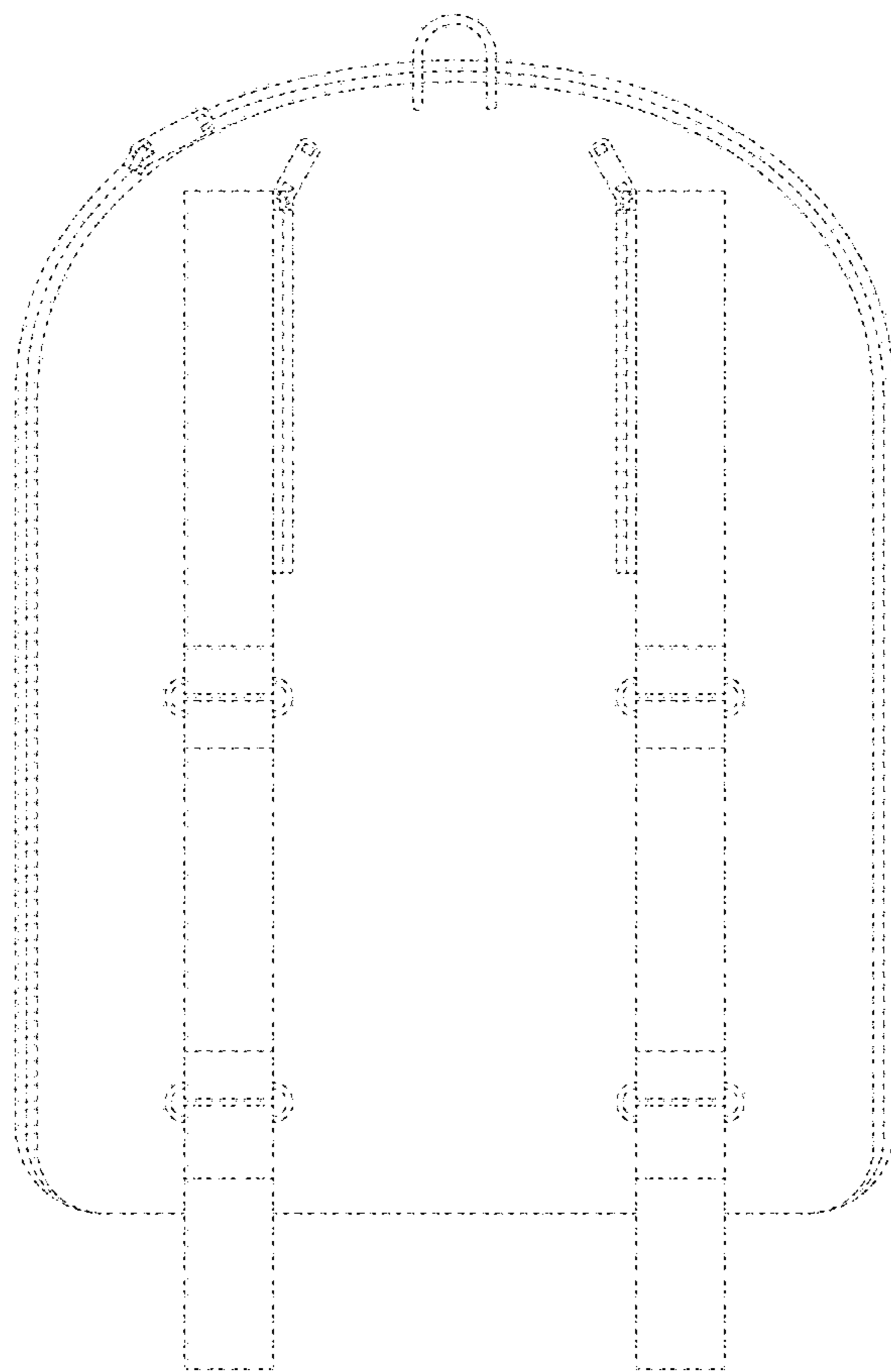


FIG. 3

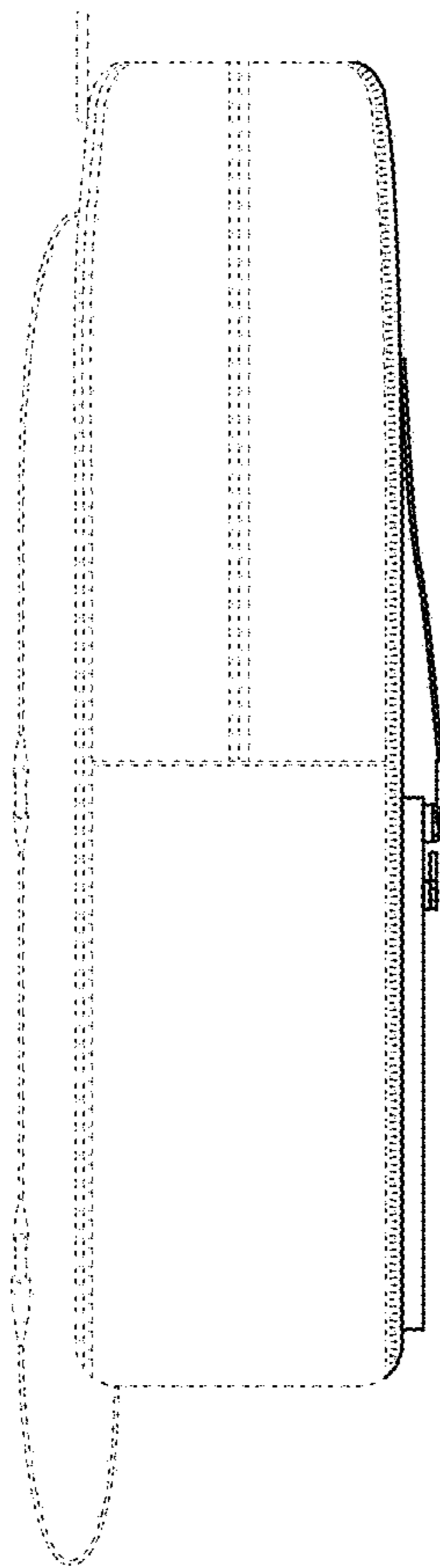


FIG. 4

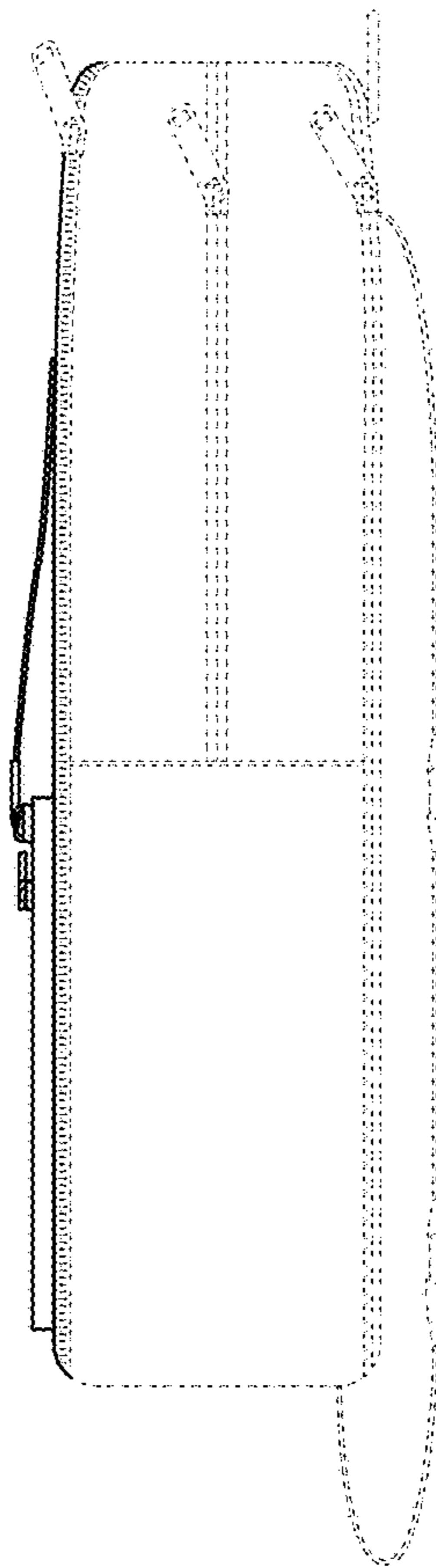


FIG. 5

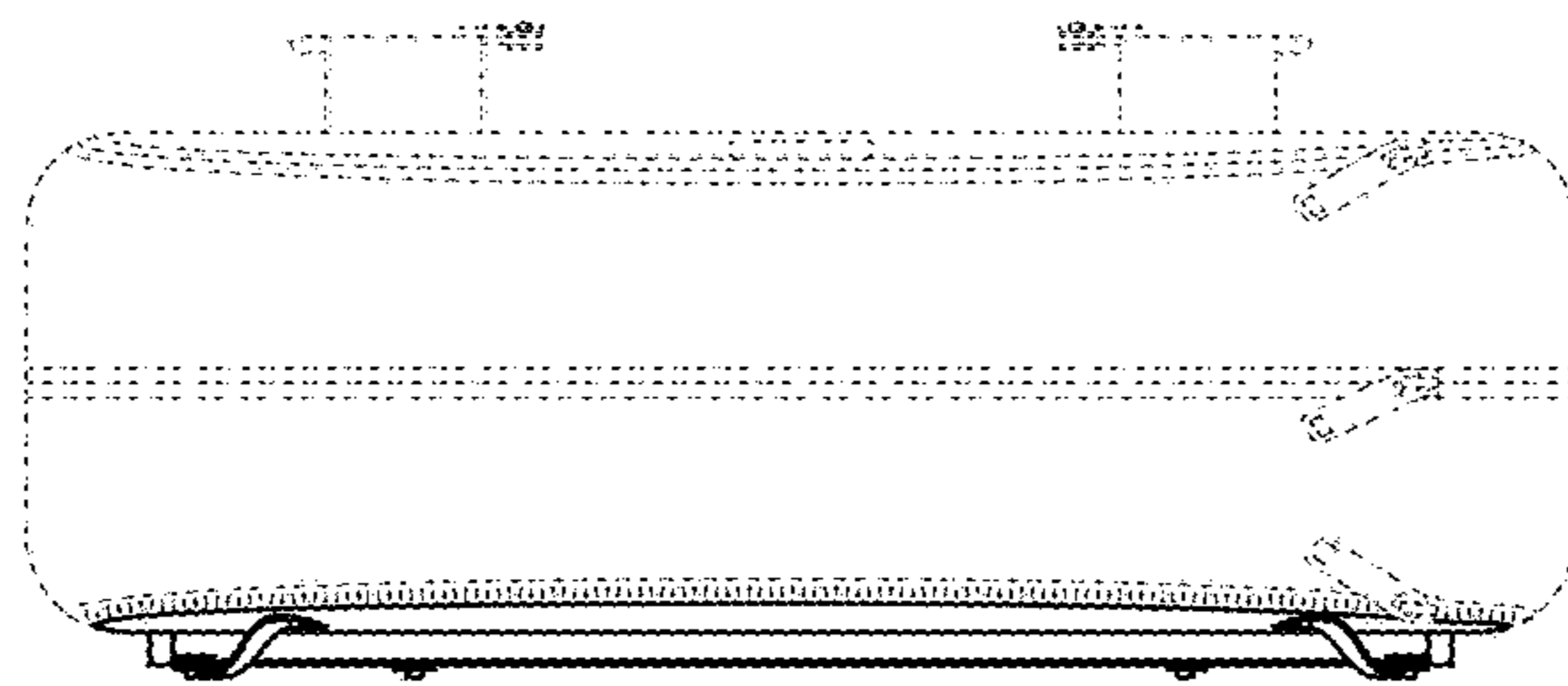


FIG. 6

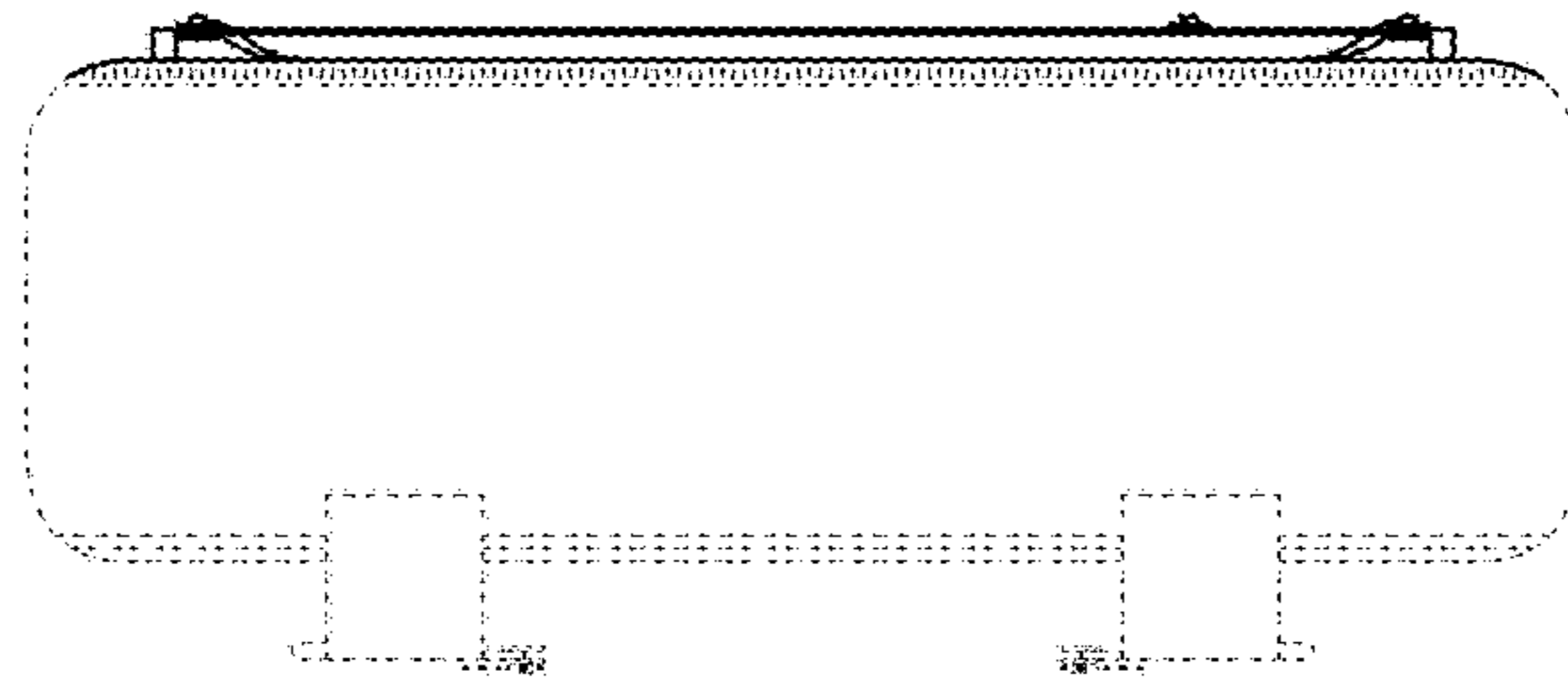


FIG. 7