



US00D853721S

(12) **United States Design Patent**
Dolfi et al.

(10) **Patent No.:** **US D853,721 S**
(45) **Date of Patent:** **** Jul. 16, 2019**

- (54) **GUN CASE**
- (71) Applicants: **Dennis Dolfi**, Erie, CO (US); **Joshua Scranton**, Broomfield, CO (US)
- (72) Inventors: **Dennis Dolfi**, Erie, CO (US); **Joshua Scranton**, Broomfield, CO (US)
- (73) Assignee: **The Allen Company, Inc.**, Broomfield, CO (US)
- (**) Term: **15 Years**
- (21) Appl. No.: **29/636,719**
- (22) Filed: **Feb. 9, 2018**
- (51) **LOC (11) Cl.** **03-01**
- (52) **U.S. Cl.**
USPC **D3/262**
- (58) **Field of Classification Search**
USPC D3/201, 204, 221–223, 254, 262, 276, D3/285, 288, 301
CPC F41C 33/02; F41C 33/03; F41C 33/04; F41C 33/05; F41C 33/06; F41C 33/07; F41C 33/08; Y10S 224/913; Y10S 190/903; Y10S 493/935; A61M 5/3204; B65D 85/00; B65D 85/24; F41A 35/02; A61C 19/08; A60R 7/14; A60R 9/055; A60R 9/08; A45C 3/00; B60R 7/14
See application file for complete search history.

4,610,286 A	9/1986	Cyr	
D294,083 S	2/1988	Collins	
4,739,809 A	4/1988	Adams	
D320,113 S *	9/1991	VanSkiver	D3/262
D347,322 S *	5/1994	Fiore	D3/262
D358,255 S *	5/1995	Sharp	D3/262
D372,121 S	7/1996	Rowe	
5,669,495 A	9/1997	West	
D413,020 S *	8/1999	Kolpin	D3/262
D448,163 S *	9/2001	Kolpin	D3/262
D448,558 S *	10/2001	Kolpin	D3/262
D448,559 S *	10/2001	Kolpin	D3/262
D448,560 S *	10/2001	Kolpin	D3/262
D448,561 S *	10/2001	Kolpin	D3/262
D448,562 S *	10/2001	Kolpin	D3/262
6,634,530 B1 *	10/2003	Black	B60R 7/14 206/317
D486,637 S	2/2004	Sauey	
D486,960 S	2/2004	Sauey	
6,722,496 B2 *	4/2004	Gantert	A45C 3/00 206/315.11

(Continued)

Primary Examiner — Mitchell I. Siegel

(74) *Attorney, Agent, or Firm* — Boyd D. Cox

(57) **CLAIM**

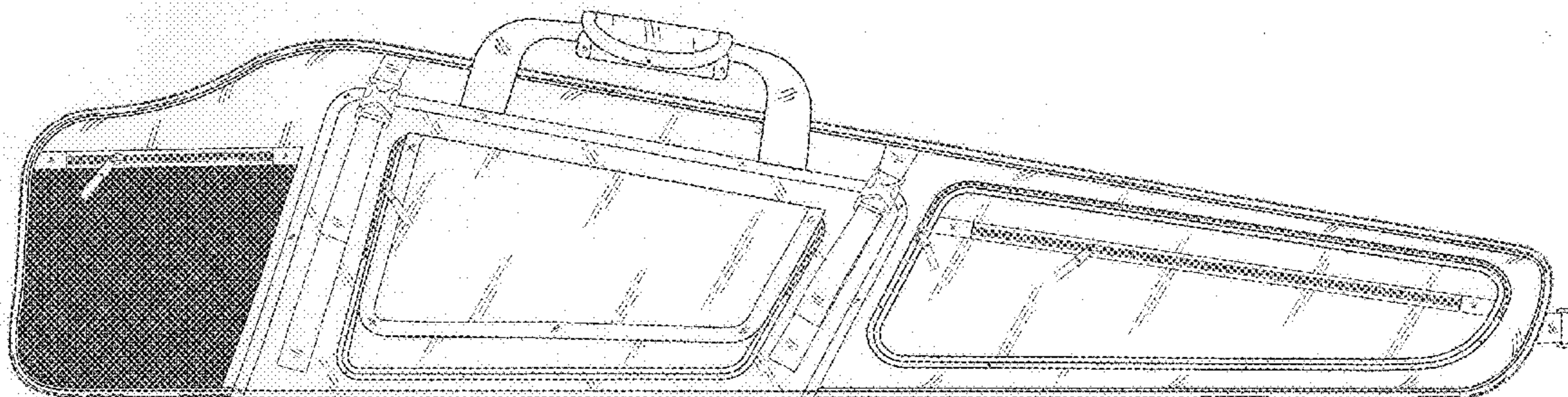
The ornamental design for a gun case, as shown.

DESCRIPTION

FIG. 1 is a front elevation of the gun case of the present invention;
 FIG. 2 is a front elevation of the gun case of FIG. 1 with the panel disclosed in an open position;
 FIG. 3 is a rear elevation of the gun case of FIG. 1;
 FIG. 4 is a rear elevation of the gun case of FIG. 1 with the panel disclosed in an open position;
 FIG. 5 is a right side elevation of the gun case of FIG. 1;
 FIG. 6 is a left side elevation of the gun case of FIG. 1;
 FIG. 7 is a top plan view of the gun case of FIG. 1; and
 FIG. 8 is a bottom plan view of the gun case of FIG. 1.

1 Claim, 8 Drawing Sheets

- (56) **References Cited**
U.S. PATENT DOCUMENTS
- 3,191,652 A * 6/1965 Benson F41C 33/06
206/317
- D219,417 S 12/1970 Heidtman et al.
- 3,865,166 A * 2/1975 Pedro A45C 11/00
206/317
- D262,416 S * 12/1981 Bianchi D3/262
- D284,333 S 6/1986 Huston



(56)

References Cited

U.S. PATENT DOCUMENTS

D498,052	S	11/2004	Sauey	
D520,235	S *	5/2006	Blaschke	D3/262
7,063,737	B2	6/2006	Tilby et al.	
D528,790	S *	9/2006	Sides	D3/262
D532,971	S *	12/2006	Sides	D3/262
7,434,683	B1 *	10/2008	Harper	A45C 5/00 190/104
7,546,920	B1	6/2009	Horn et al.	
7,905,350	B2	3/2011	Wood et al.	
D641,166	S	7/2011	Zivanovic	
D715,047	S *	10/2014	Morris	D3/262
D731,789	S *	6/2015	Quinnan	D3/262
D744,234	S *	12/2015	Quinnan	D3/262
D744,749	S	12/2015	Negrini	
D759,375	S *	6/2016	Dolfi	D3/262
D782,192	S *	3/2017	Scranton	D3/262
D798,593	S *	10/2017	McCoy	D3/262

* cited by examiner

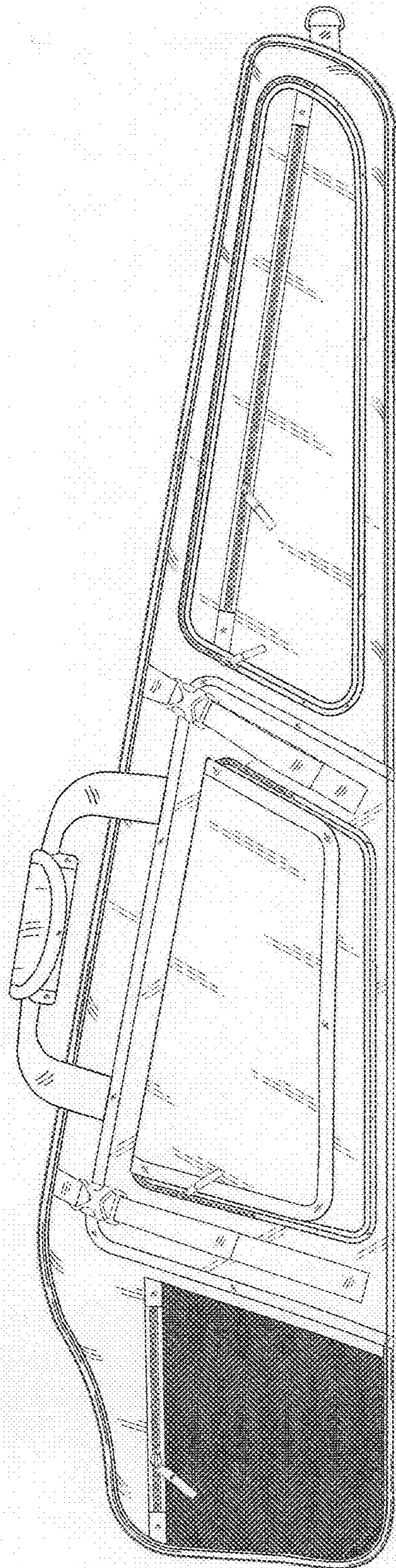


FIG. 1

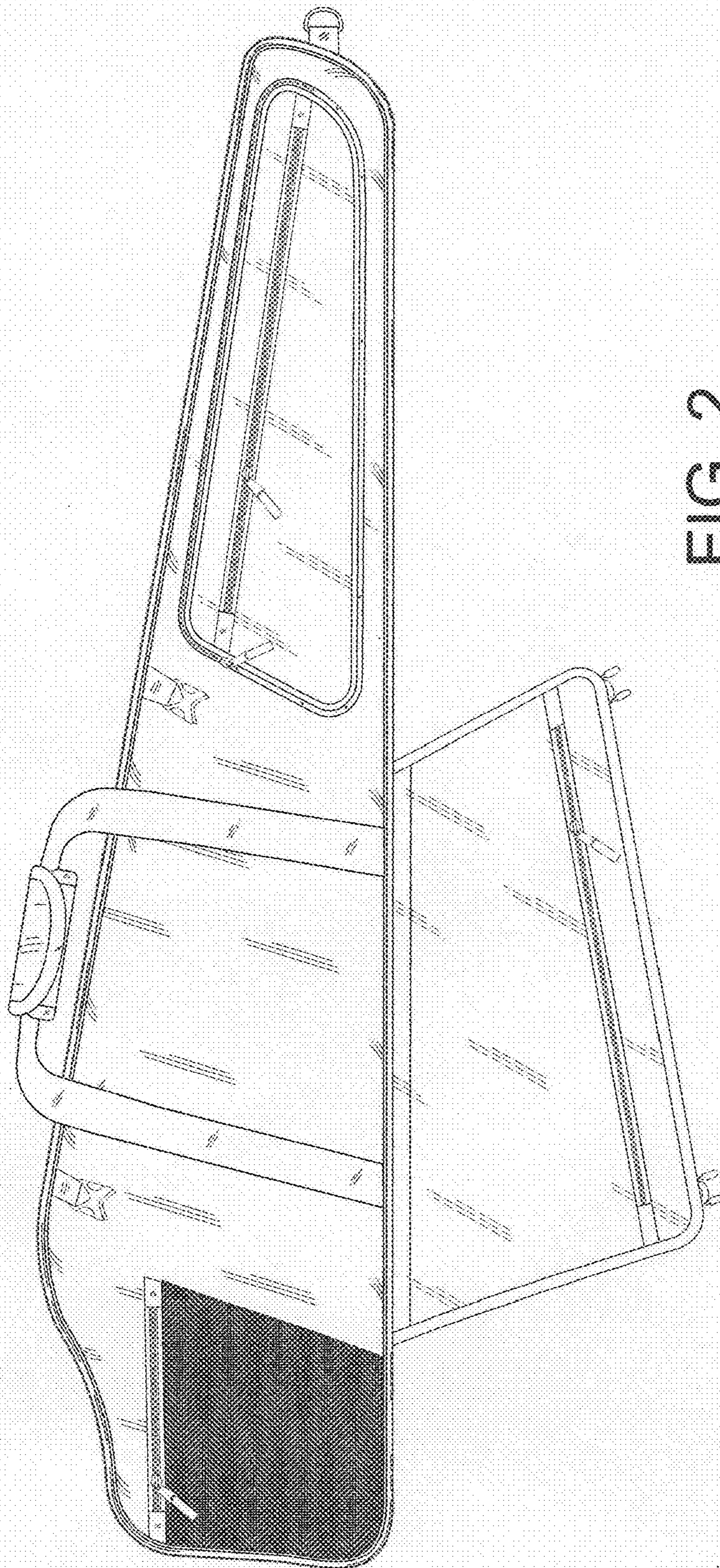


FIG. 2

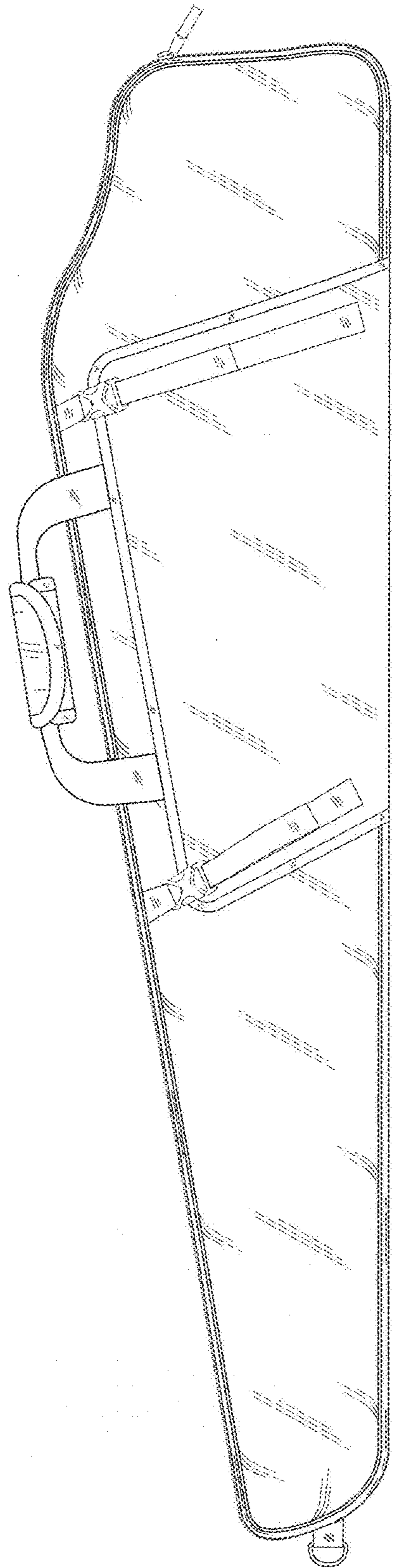


FIG. 3

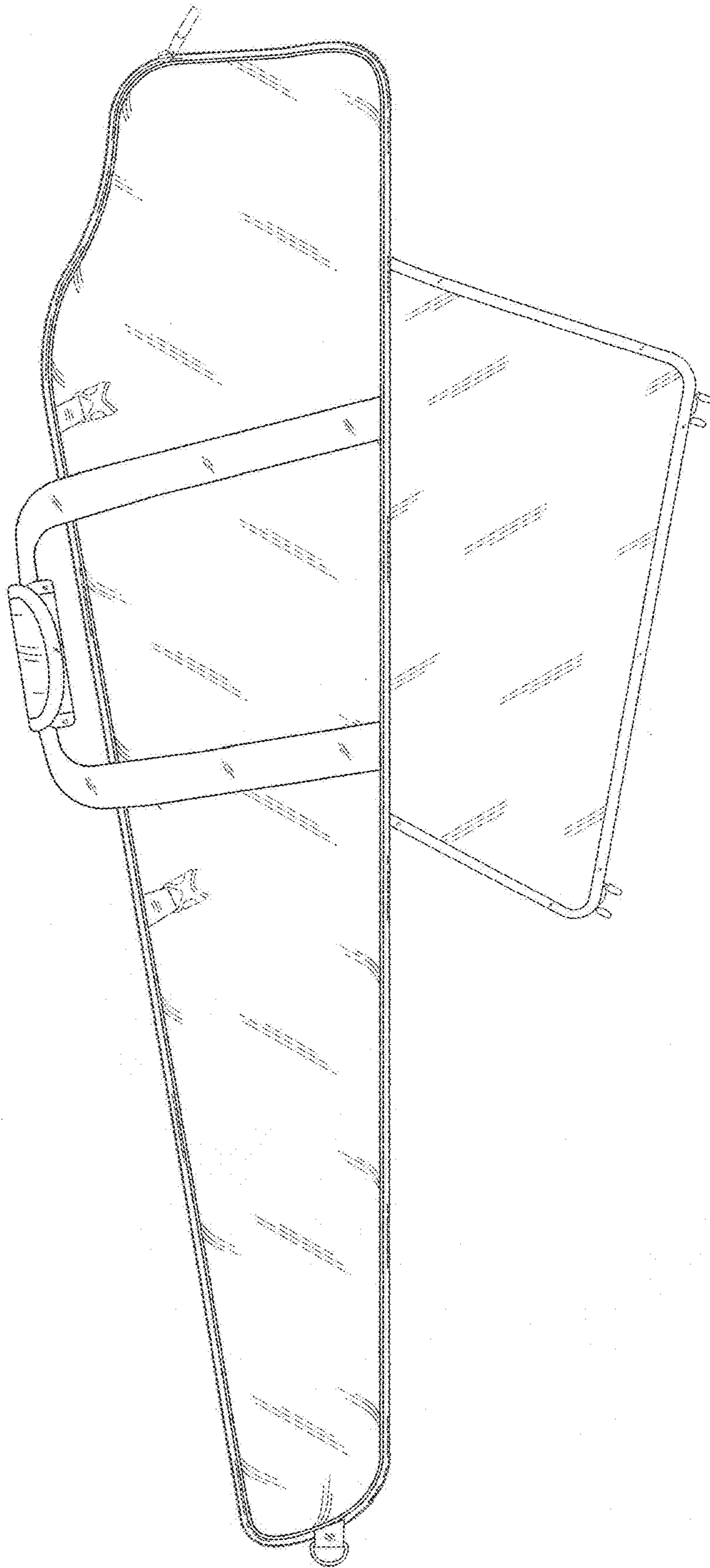


FIG. 4

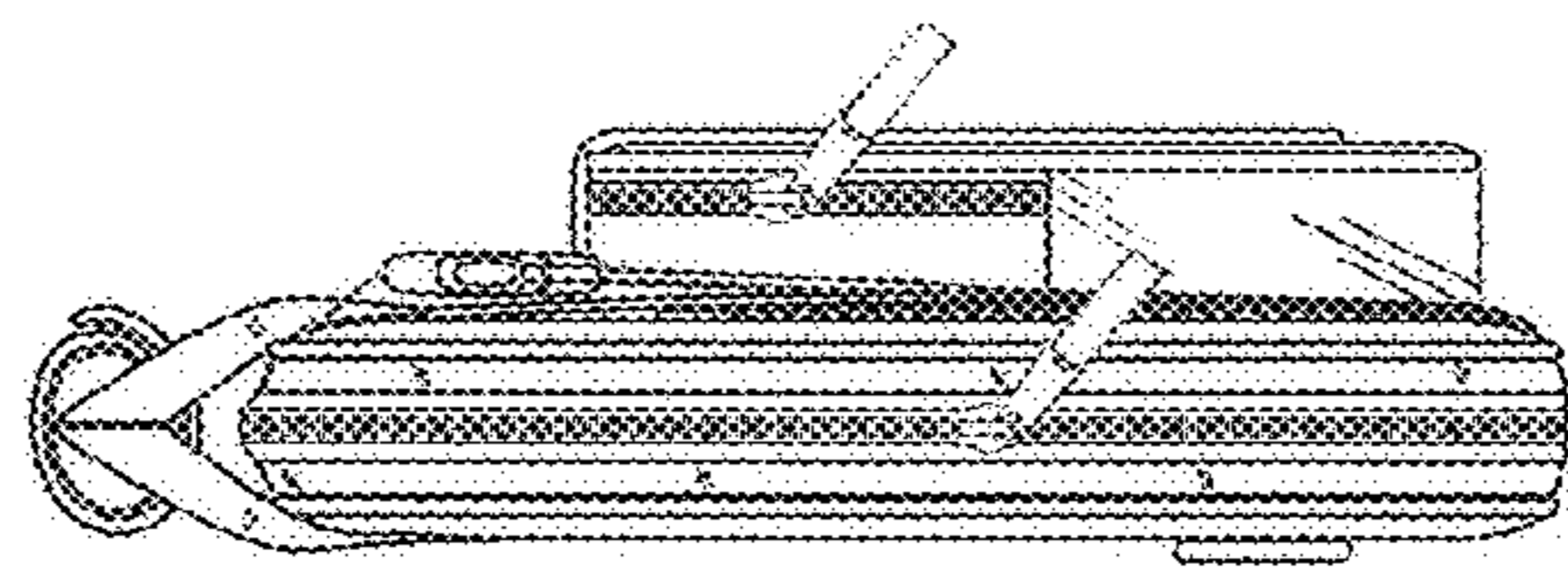


FIG. 5

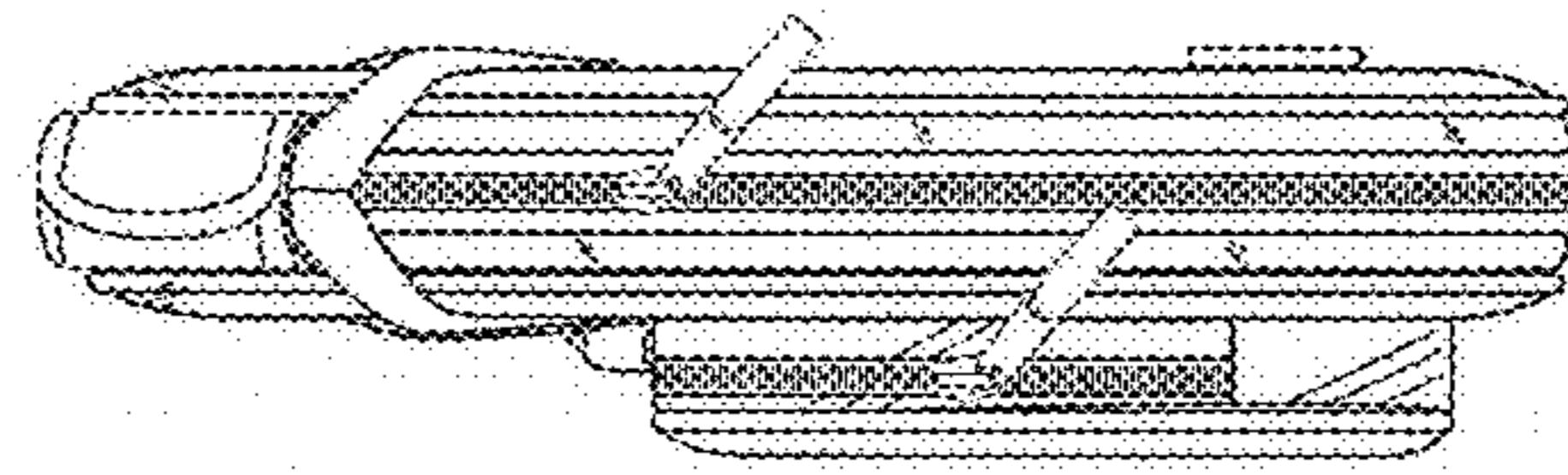


FIG. 6

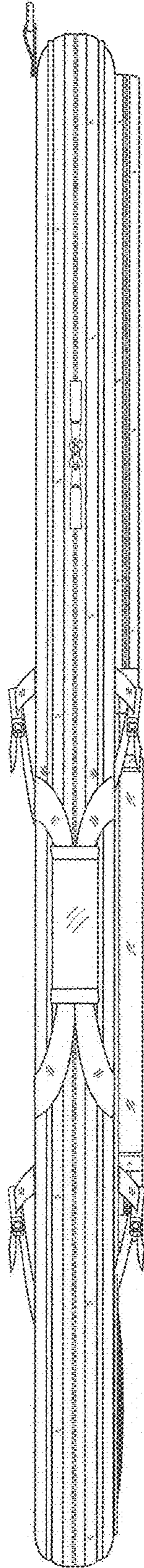


FIG. 7

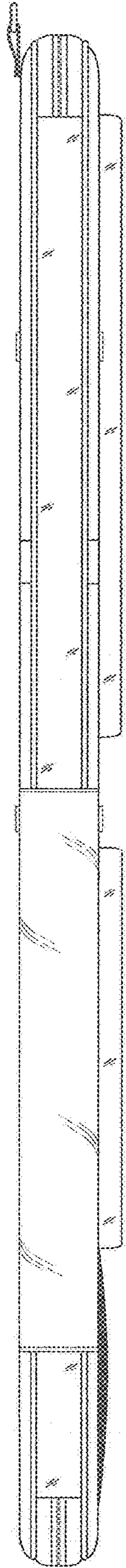


FIG. 8