



US00D853714S

(12) **United States Design Patent** (10) **Patent No.:** **US D853,714 S**
Feng (45) **Date of Patent:** **** Jul. 16, 2019**

(54) **MOBILE PHONE PROTECTIVE CASE**

(71) Applicant: **GUANGZHOU WENYI COMMUNICATION EQUIPMENT CO., LTD.**, Guangzhou (Guangdong Province) (CN)

(72) Inventor: **Youru Feng**, Guangzhou (CN)

(73) Assignee: **GUANGZHOU WENYI COMMUNICATION EQUIPMENT CO., LTD.**, Guangzhou (CN)

(**) Term: **15 Years**

(21) Appl. No.: **29/615,947**

(22) Filed: **Aug. 31, 2017**

(51) **LOC (11) Cl.** **03-01**

(52) **U.S. Cl.**
USPC **D3/218**

(58) **Field of Classification Search**
USPC D3/218, 201, 247, 269, 303; D14/250, D14/251-253, 447, 248, 496, 440;
(Continued)

(56) **References Cited**

U.S. PATENT DOCUMENTS

D359,616 S * 6/1995 Ishibashi D3/218
D649,347 S * 11/2011 Smith D3/218
(Continued)

Primary Examiner — Catherine R Oliver-Garcia

(74) *Attorney, Agent, or Firm* — Yong Chen

(57) **CLAIM**

The ornamental design for a mobile phone protective case, as shown and described.

DESCRIPTION

FIG. 1 is a front view of a first component, which includes a first cover and a clip coupled thereto, of a mobile phone protective case of the present invention, wherein the clip is in a closed configuration.

FIG. 2 is rear view of the first component as shown in FIG. 1.

FIG. 3 is a left view of the first component as shown in FIG. 1.

FIG. 4 is a right view of the first component as shown in FIG. 1.

FIG. 5 is a top view of the first component as shown in FIG. 1.

FIG. 6 is a bottom view of the first component as shown in FIG. 1.

FIG. 7 is a perspective view of the first component, wherein the clip is in an open configuration.

FIG. 8 is another perspective view of the first component, wherein the clip is in an open configuration.

FIG. 9 is a front view of a second component, which includes a second cover and a support stand coupled thereto, of the mobile phone protective case of the present invention.

FIG. 10 is a rear view of the second component, wherein the support stand is in a passive, undeployed configuration.

FIG. 11 is a left view of the second component as shown in FIG. 10.

FIG. 12 is a right view of the second component as shown in FIG. 10.

FIG. 13 is a top view of the second component as shown in FIG. 10.

FIG. 14 is a bottom view of the second component as shown in FIG. 10.

FIG. 15 is a perspective view of the second component, wherein the support stand is in an active, deployed configuration.

FIG. 16 is another perspective view of the second component, wherein the support stand is in an active, deployed configuration.

FIG. 17 is a front view of the mobile phone protective case of the present invention when the first component and the second component are assembled together, wherein the clip of the first component is in a closed configuration, and wherein the support stand of the second component is in a passive, undeployed configuration.

FIG. 18 is a rear view thereof.

FIG. 19 is a left view thereof.

FIG. 20 is a right view thereof.

FIG. 21 is a top view thereof.

(Continued)

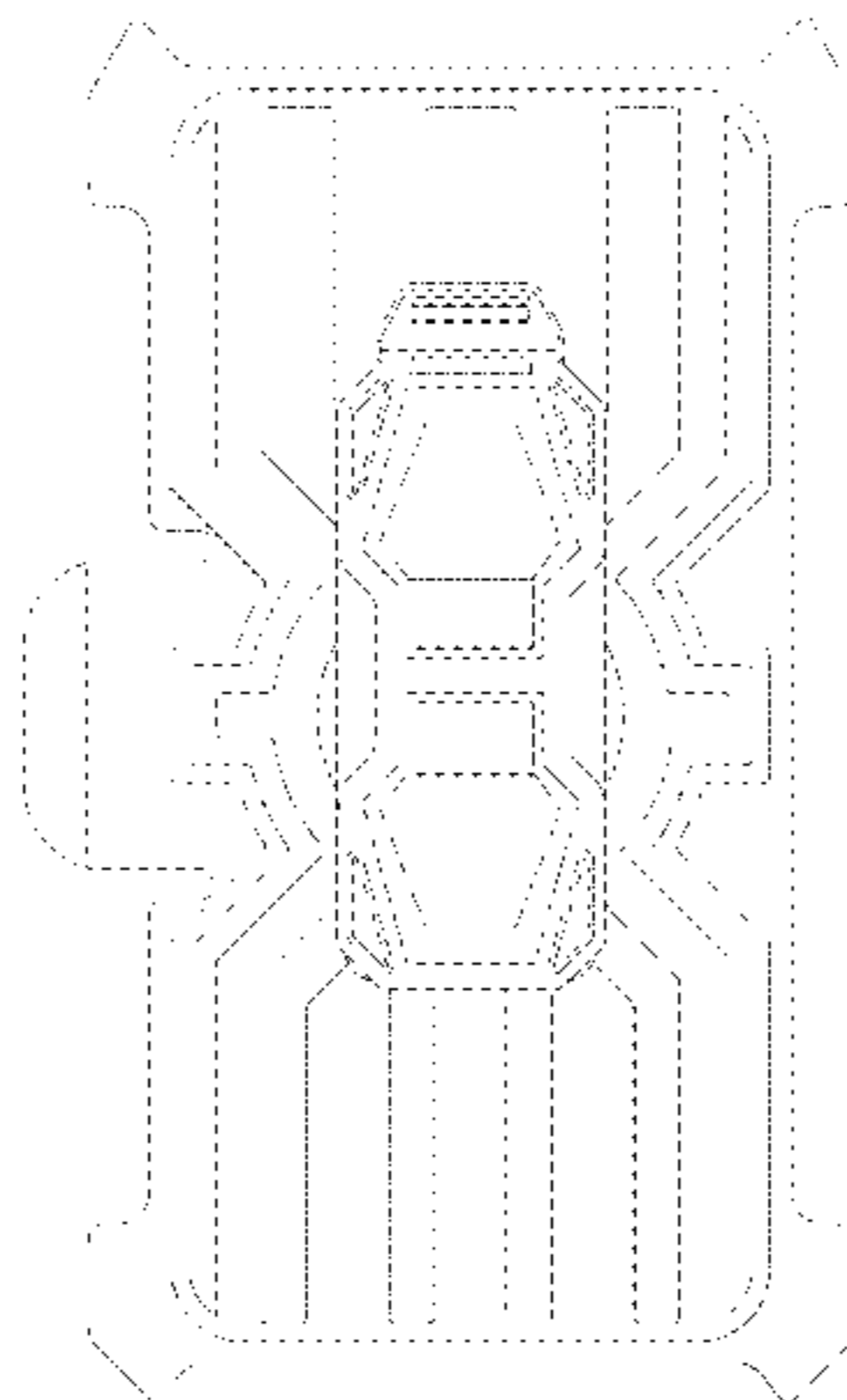


FIG. 22 is a bottom view thereof.
 FIG. 23 is a perspective view thereof.
 FIG. 24 is another perspective view thereof.
 FIG. 25 is an exploded perspective view of the mobile phone protective case of the present invention wherein the first component and second component are separated, wherein the clip of the first component is in a closed configuration, and wherein the support stand of the second component is in a passive, undeployed configuration.
 FIG. 26 is another exploded perspective view of the mobile phone protective case of the present invention wherein the first component and second component are separated, wherein the clip of the first component is in a closed configuration, and wherein the support stand of the second component is in a passive, undeployed configuration.
 FIG. 27 is a front view of the mobile phone protective case of the present invention when the first component and the second component are assembled together, wherein the clip of the first component is in an open configuration, and wherein the support stand of the second component is in an active, deployed configuration.
 FIG. 28 is a rear view thereof.
 FIG. 29 is a left view thereof.
 FIG. 30 is a right view thereof.
 FIG. 31 is a top view thereof.
 FIG. 32 is a bottom view thereof.
 FIG. 33 is a perspective view thereof.
 FIG. 34 is another perspective view thereof.
 FIG. 35 is an exploded perspective view of the mobile phone protective case of the present invention wherein the first component and second component are separated, wherein the clip of the first component is in an open configuration, and wherein the support stand of the second component is in an open configuration; and,
 FIG. 36 is another exploded perspective view of the mobile phone protective case of the present invention wherein the first component and second component are separated,

wherein the clip of the first component is in an open configuration, and wherein the support stand of the second component is in an open configuration.
 The broken line showing in the drawings is for illustrating purpose only and does not form part of the claimed design.

1 Claim, 29 Drawing Sheets

(58) **Field of Classification Search**

USPC D16/242, 245; 248/176.3, 206.5;
 455/575.6, 575.8; 206/305, 320, 45.2;
 224/191, 247
 CPC . A45C 5/02; A45C 2011/002; A45C 2200/08;
 H04B 1/3888; H04M 1/04; H04M
 1/0275; F16M 11/10; F16M 11/041;
 F16M 13/00; Y10T 29/49826; A45F 5/02;
 A45F 5/021; A45F 2005/026; A45F
 2200/0525; A45F 2200/0516
 See application file for complete search history.

(56) **References Cited**

U.S. PATENT DOCUMENTS

D661,482	S	*	6/2012	Chang	D3/218
D661,483	S	*	6/2012	Weller	D3/218
D683,955	S	*	6/2013	Melanson	D3/218
D726,170	S	*	4/2015	Ng	D14/250
D791,759	S	*	7/2017	Lin	D14/250
D811,379	S	*	2/2018	Armstrong	D14/250
D813,529	S	*	3/2018	Li	D3/218
D816,653	S	*	5/2018	Yu	D14/250
D822,379	S	*	7/2018	Li	D3/218
D827,630	S	*	9/2018	Ahn	D14/250
2014/0051488	A1	*	2/2014	Chung	H04M 1/0279 455/575.8

* cited by examiner

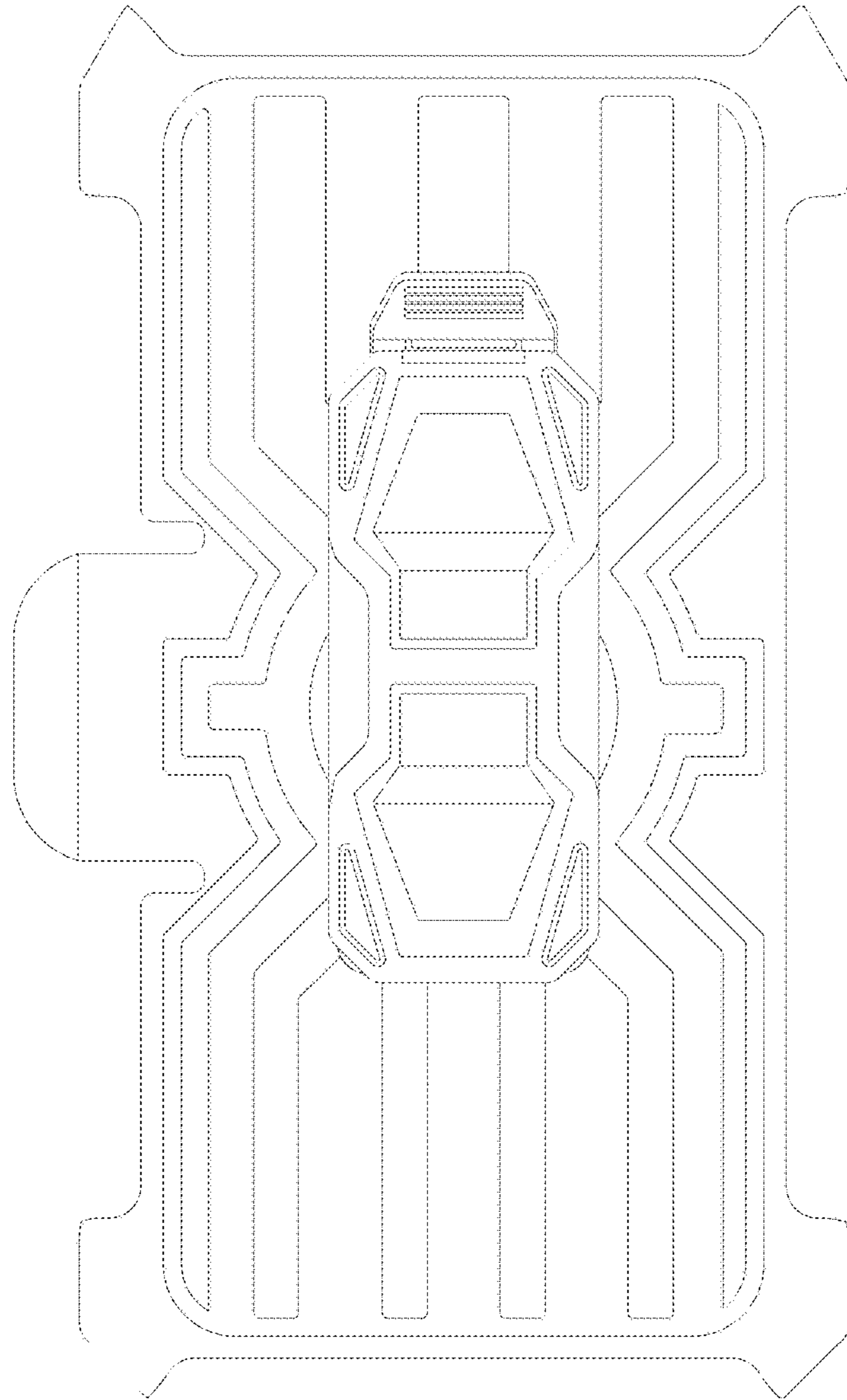


FIG. 1

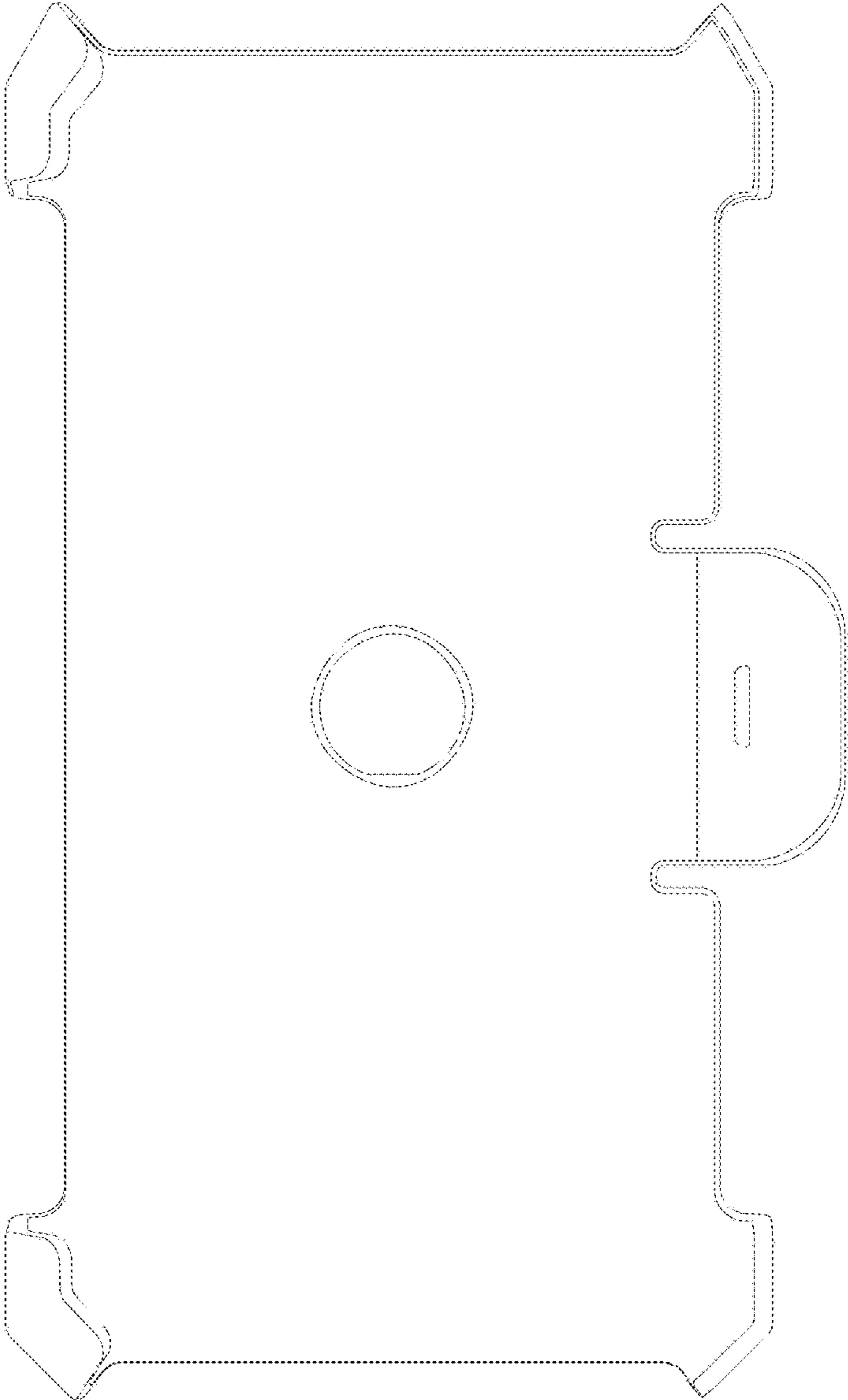


FIG. 2

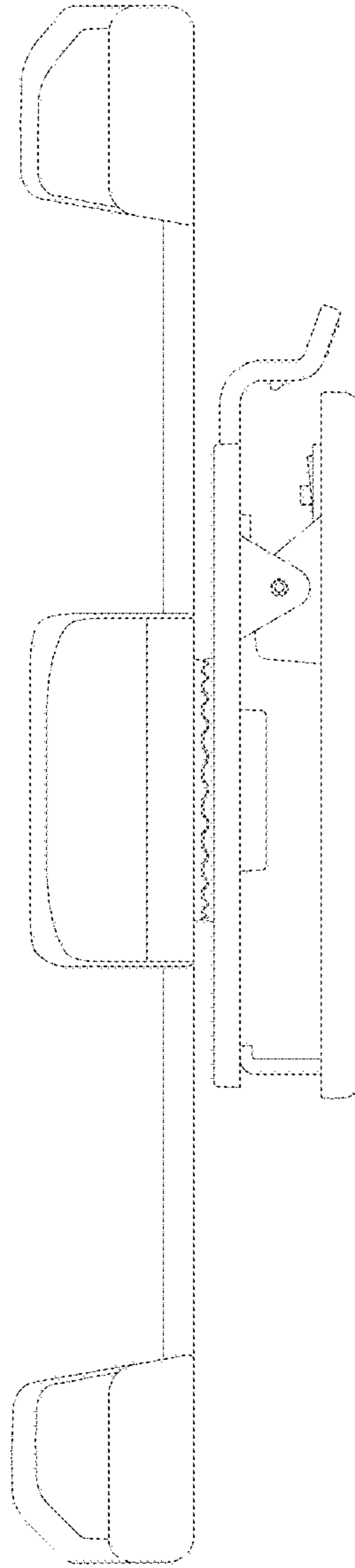


FIG. 3

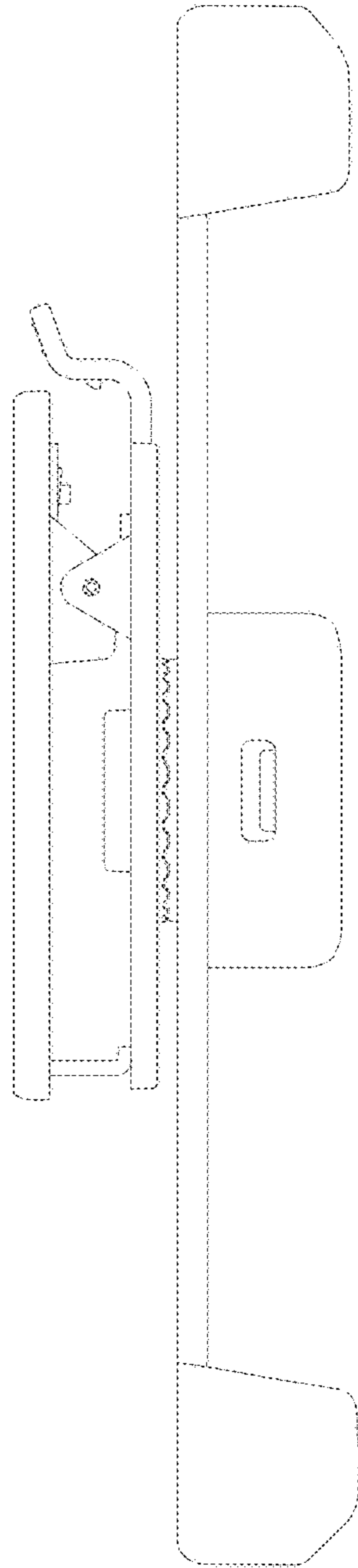


FIG. 4

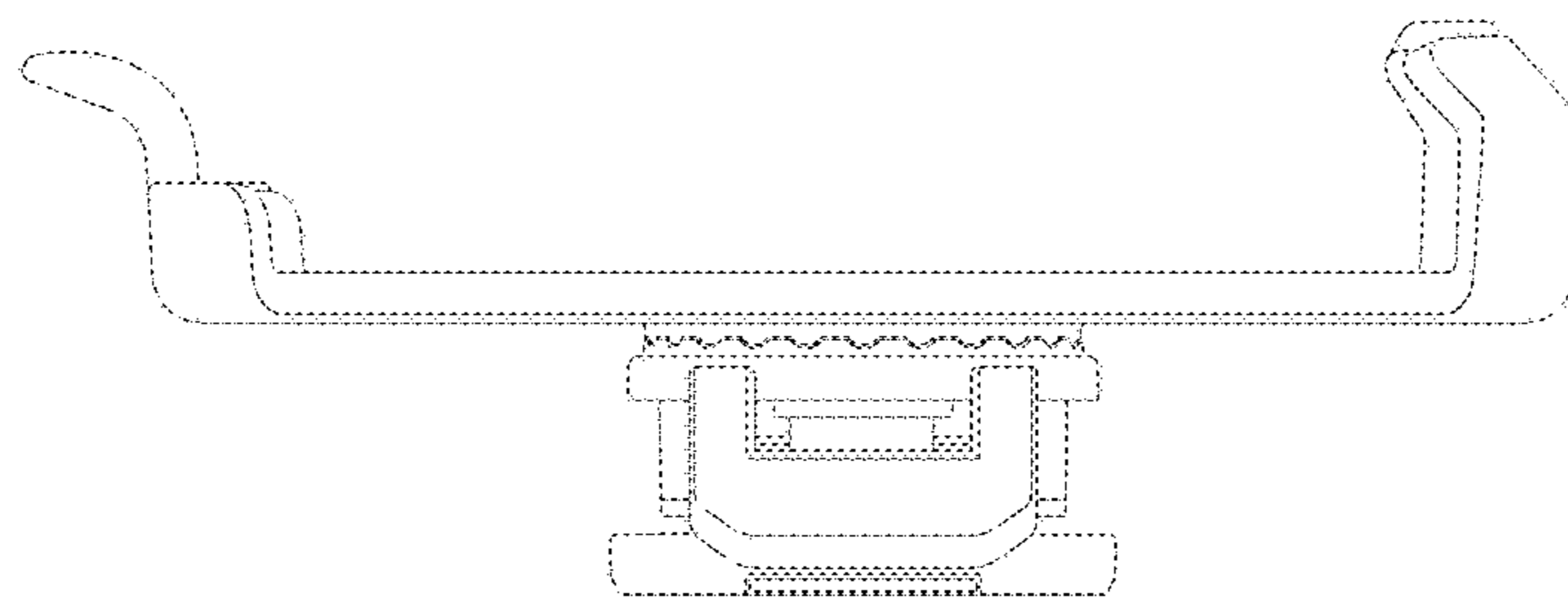


FIG. 5

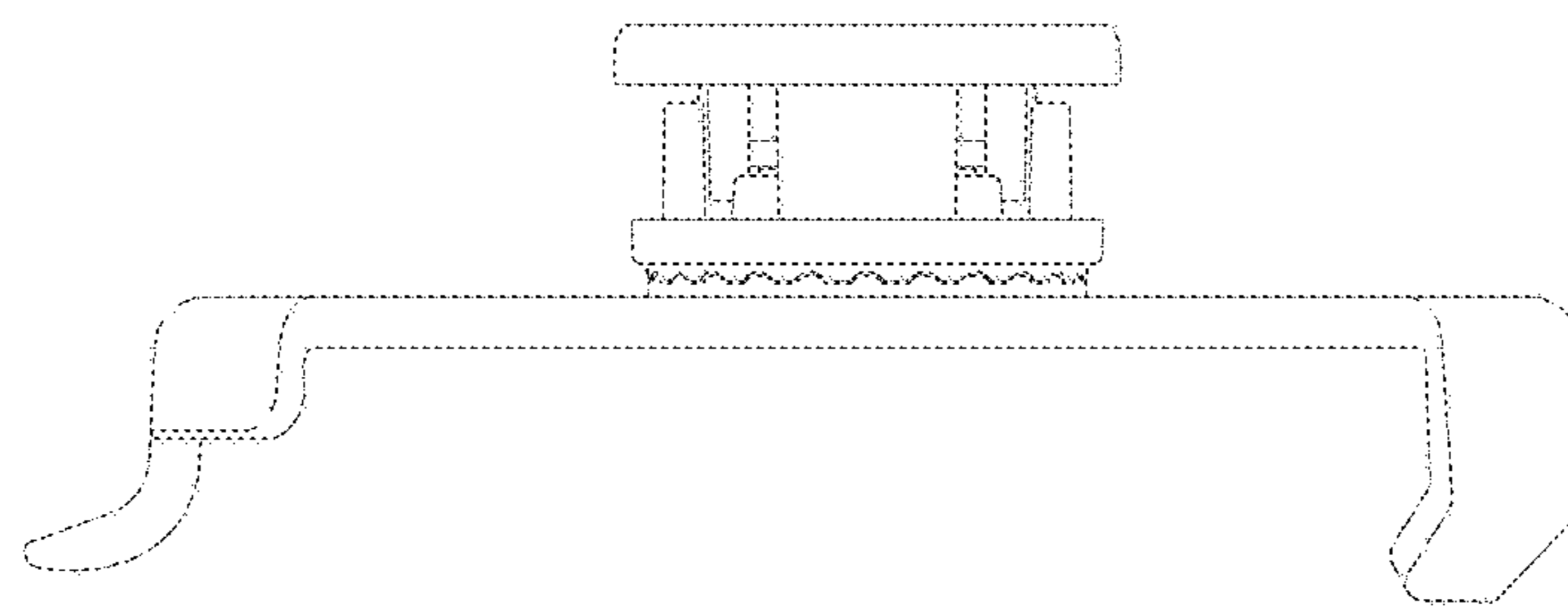


FIG. 6

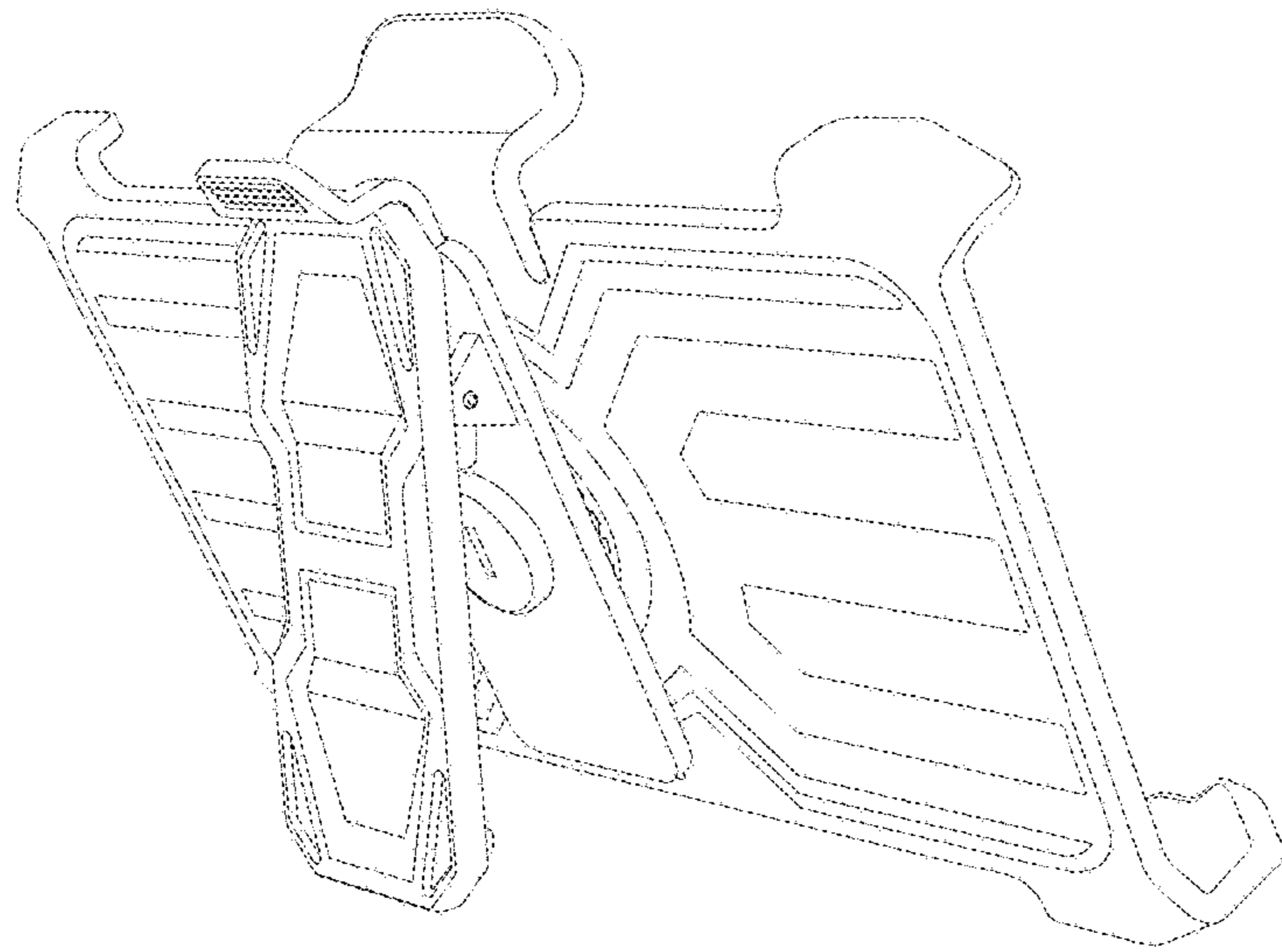


FIG. 7

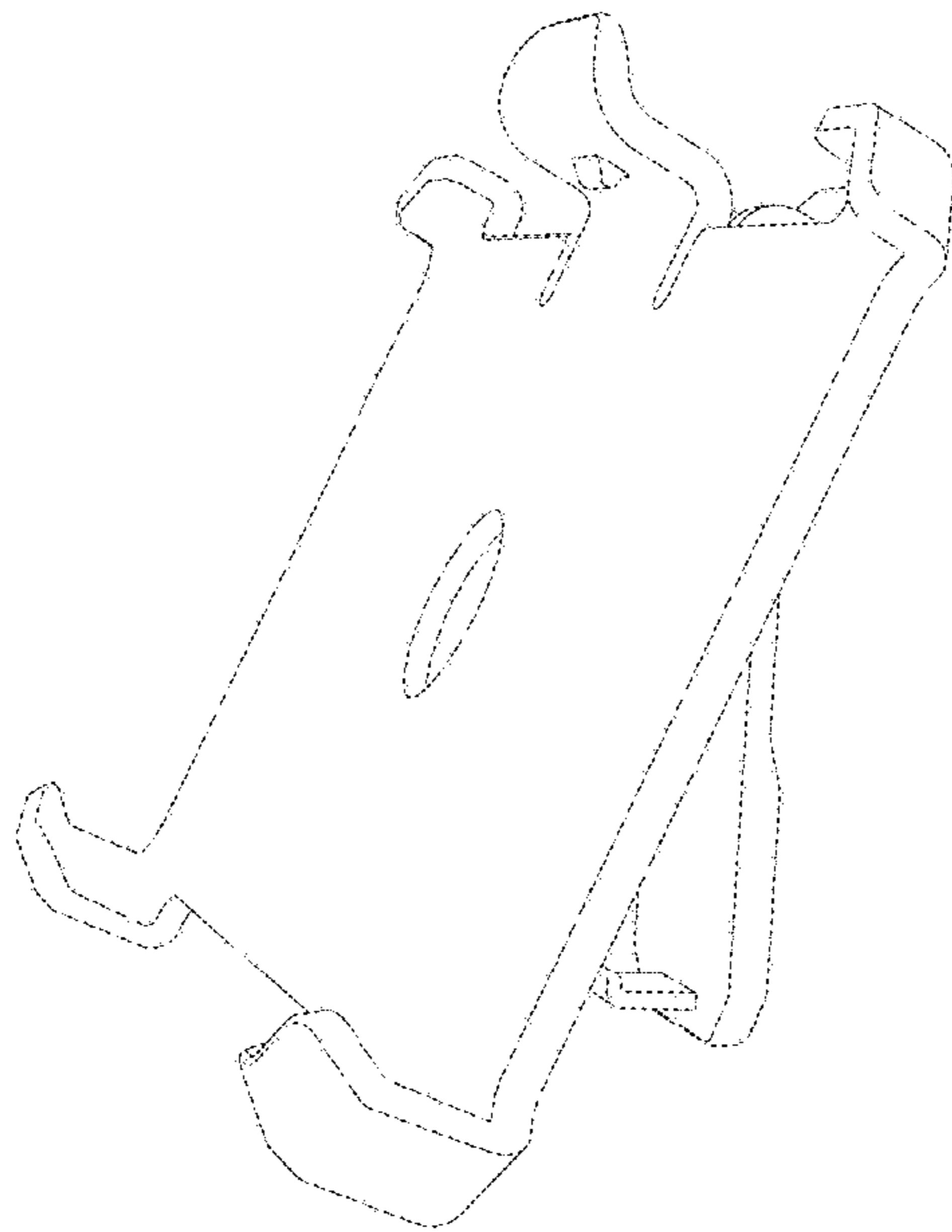


FIG. 8

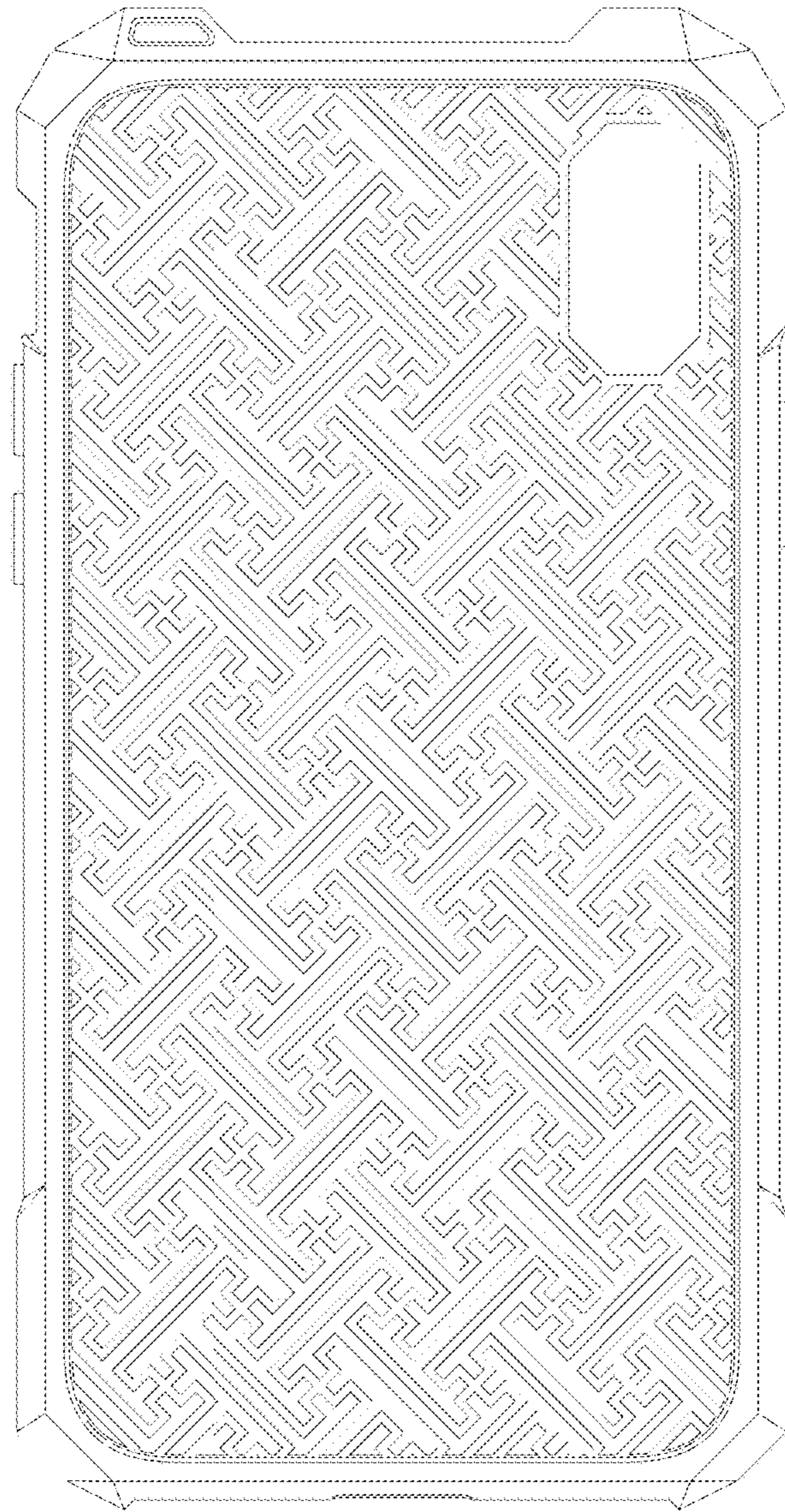


FIG. 9

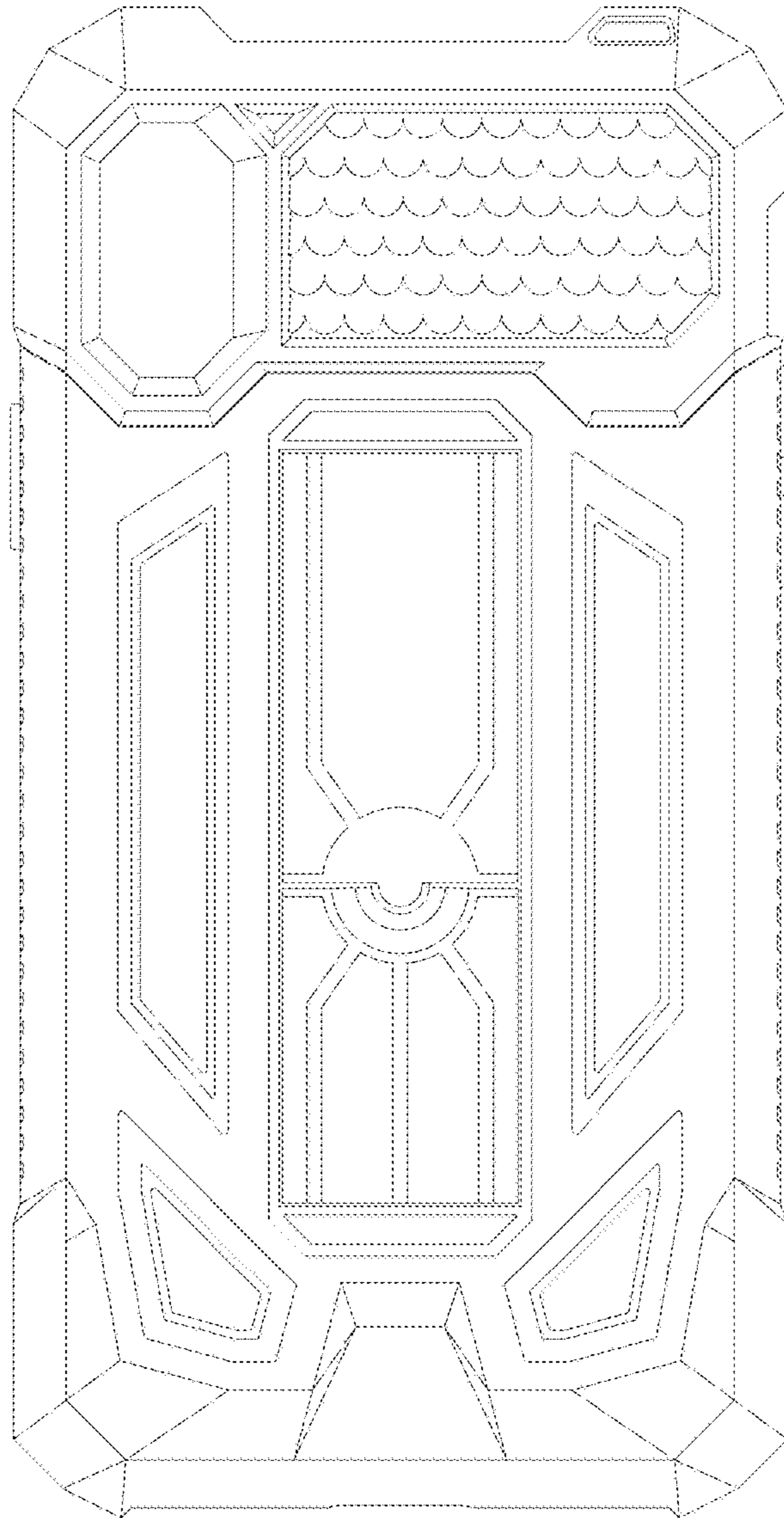


FIG. 10

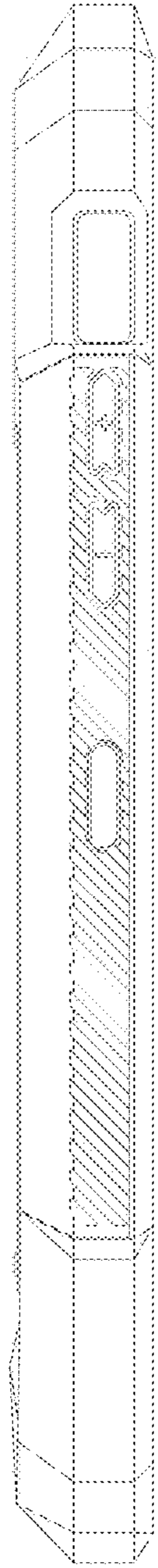


FIG. 11

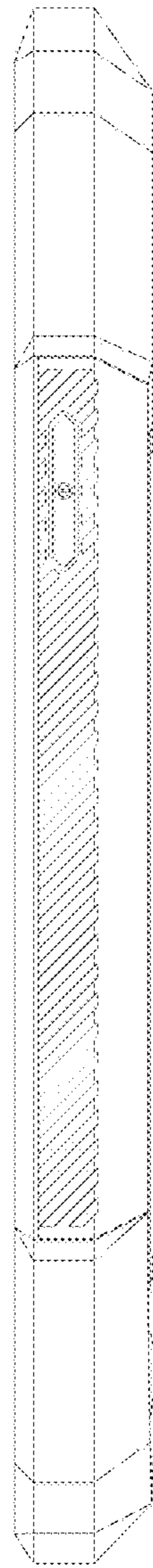


FIG. 12

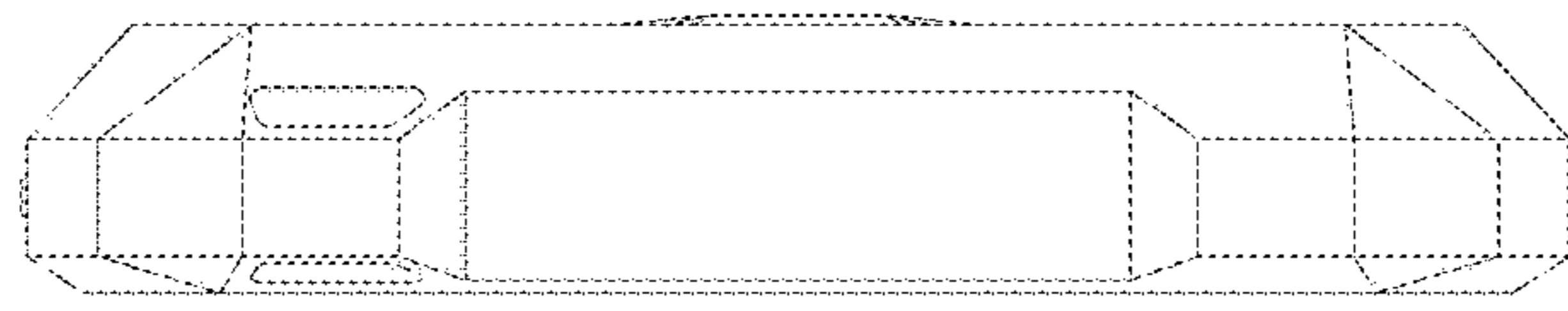


FIG. 13

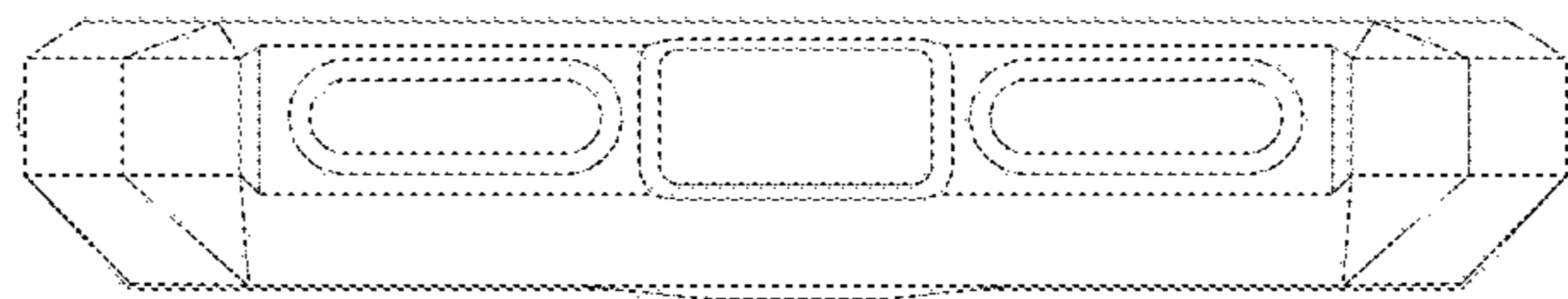


FIG. 14

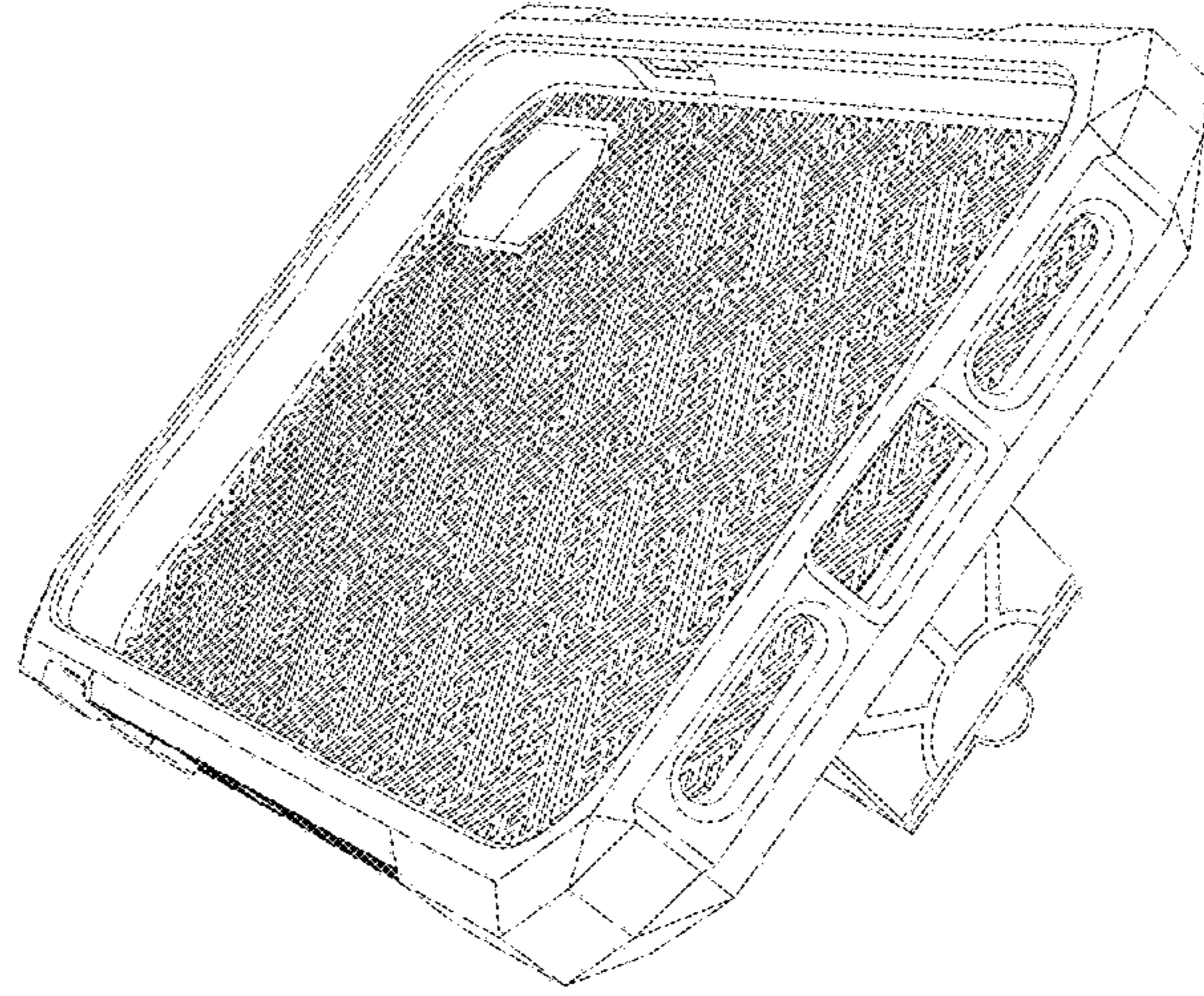


FIG. 15

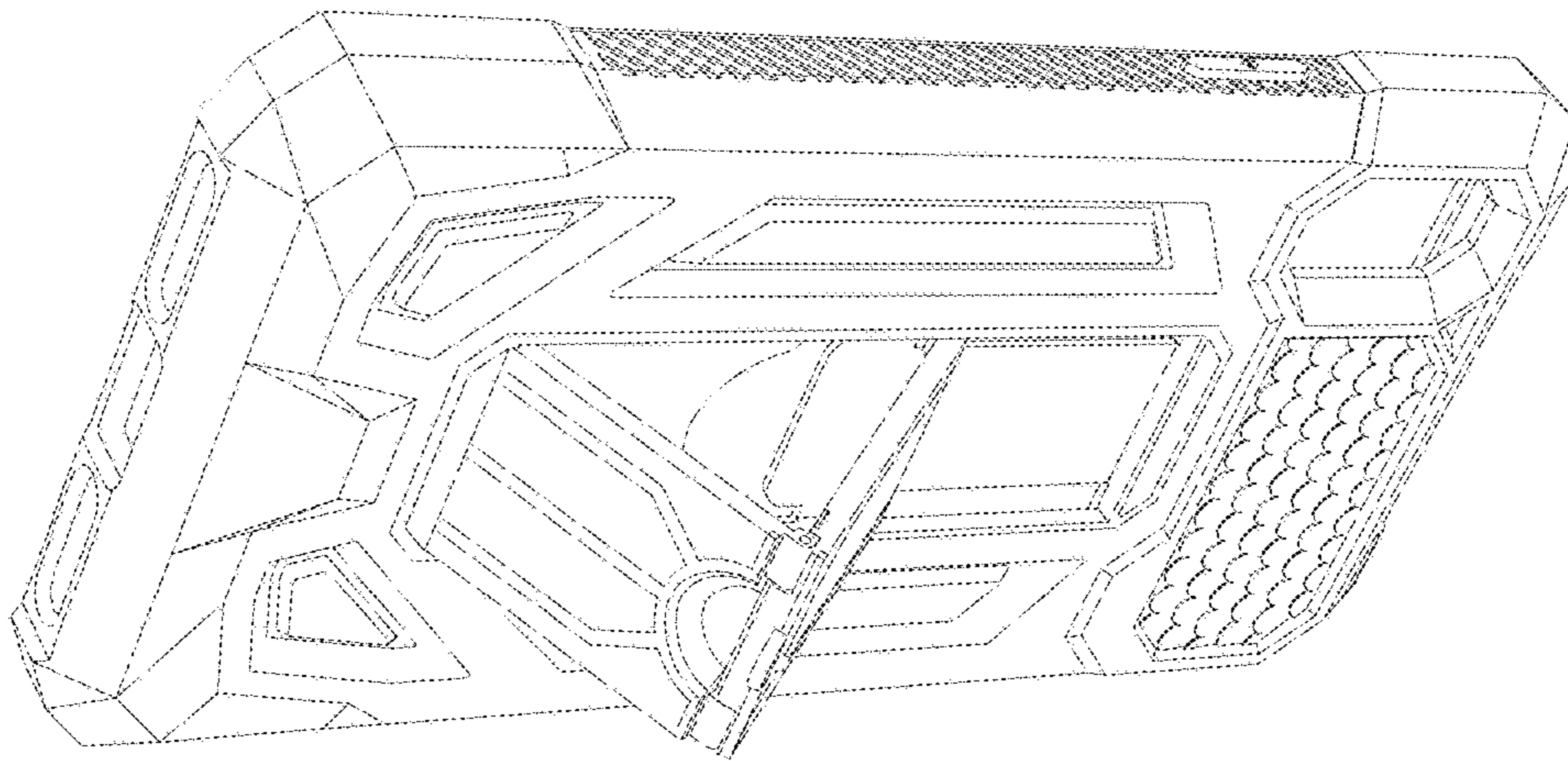


FIG. 16

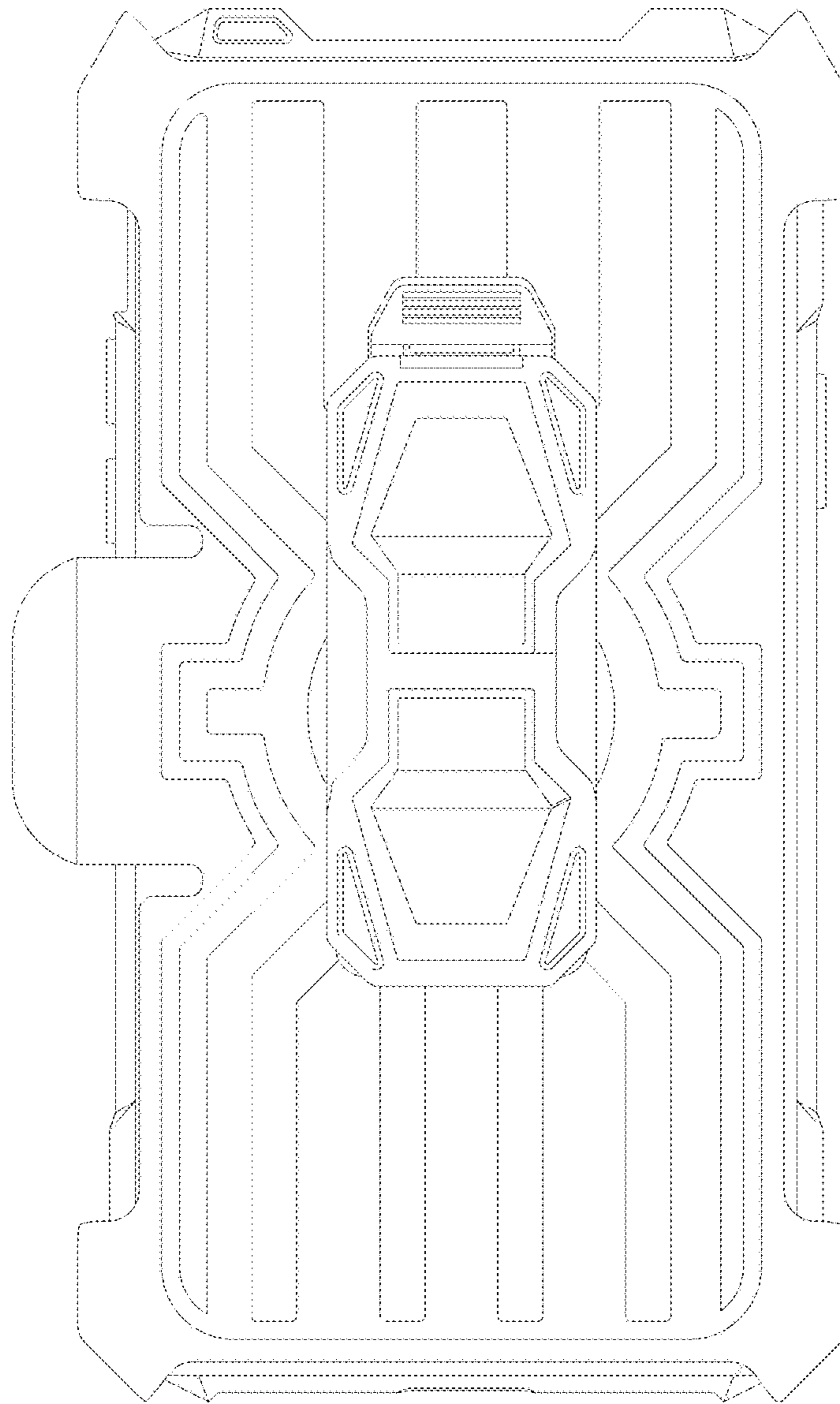


FIG. 17

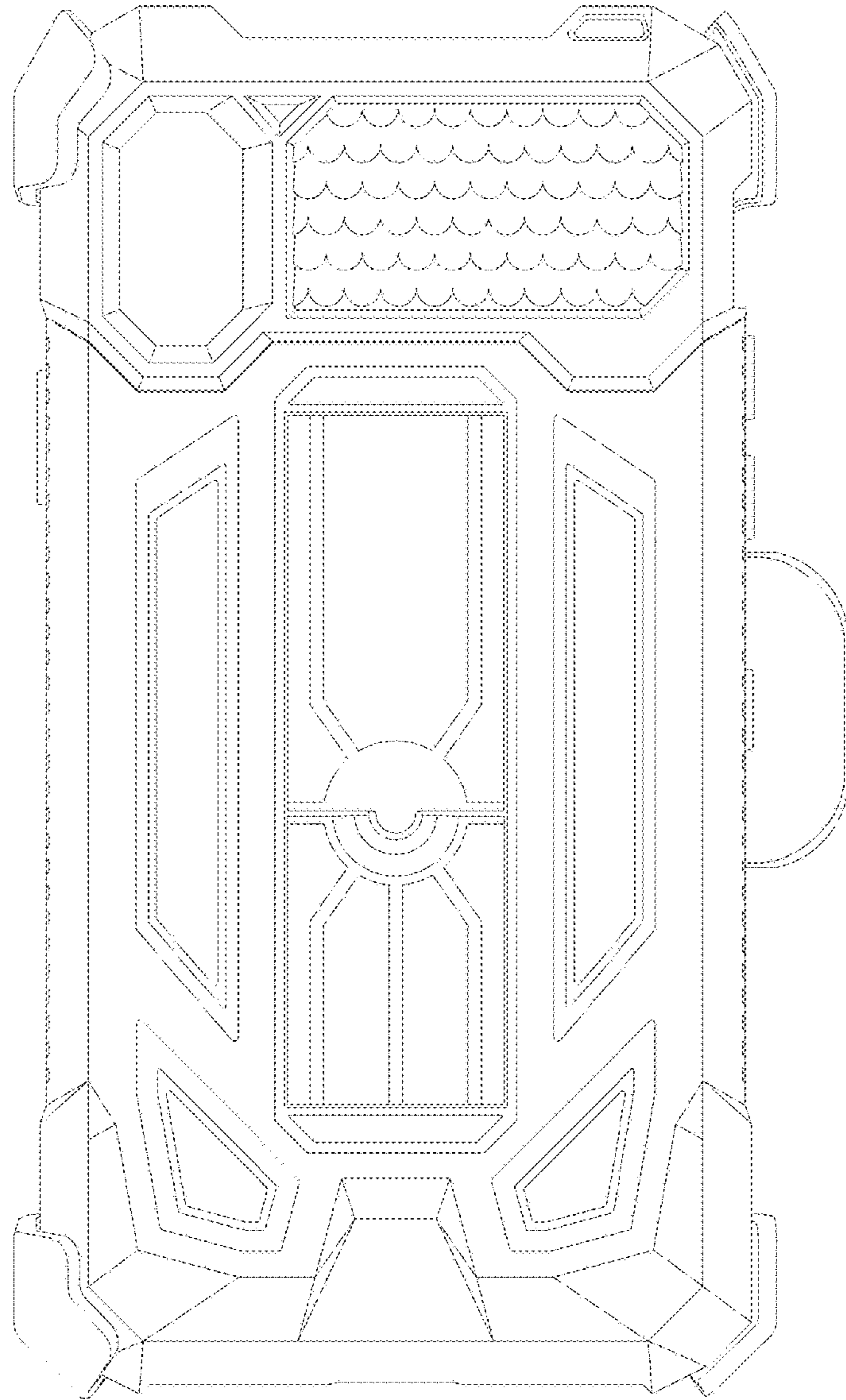


FIG. 18

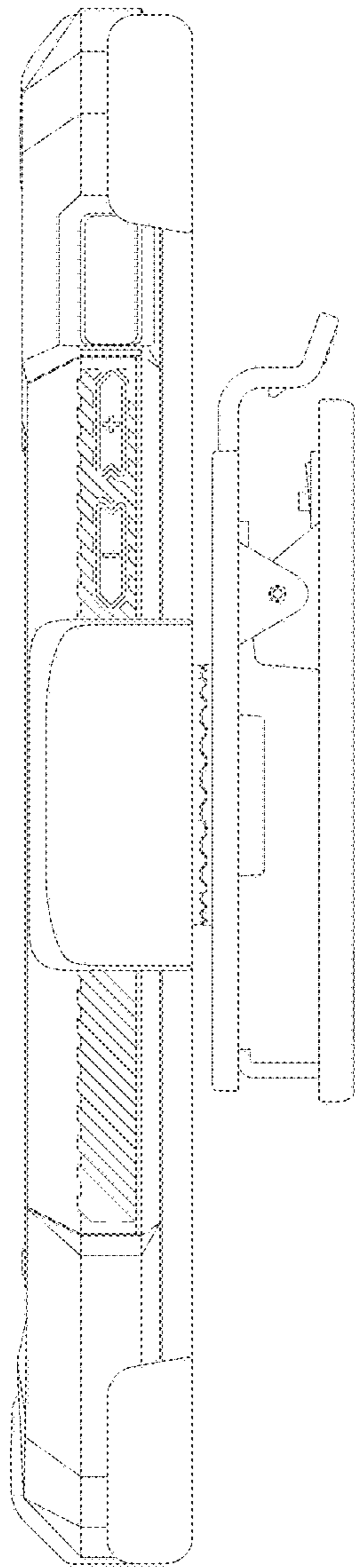


FIG. 19

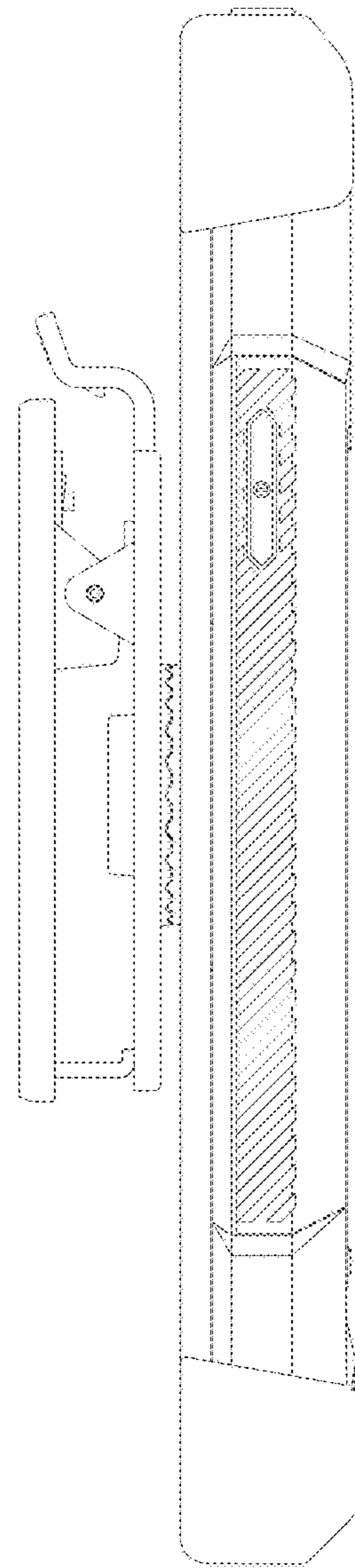


FIG. 20

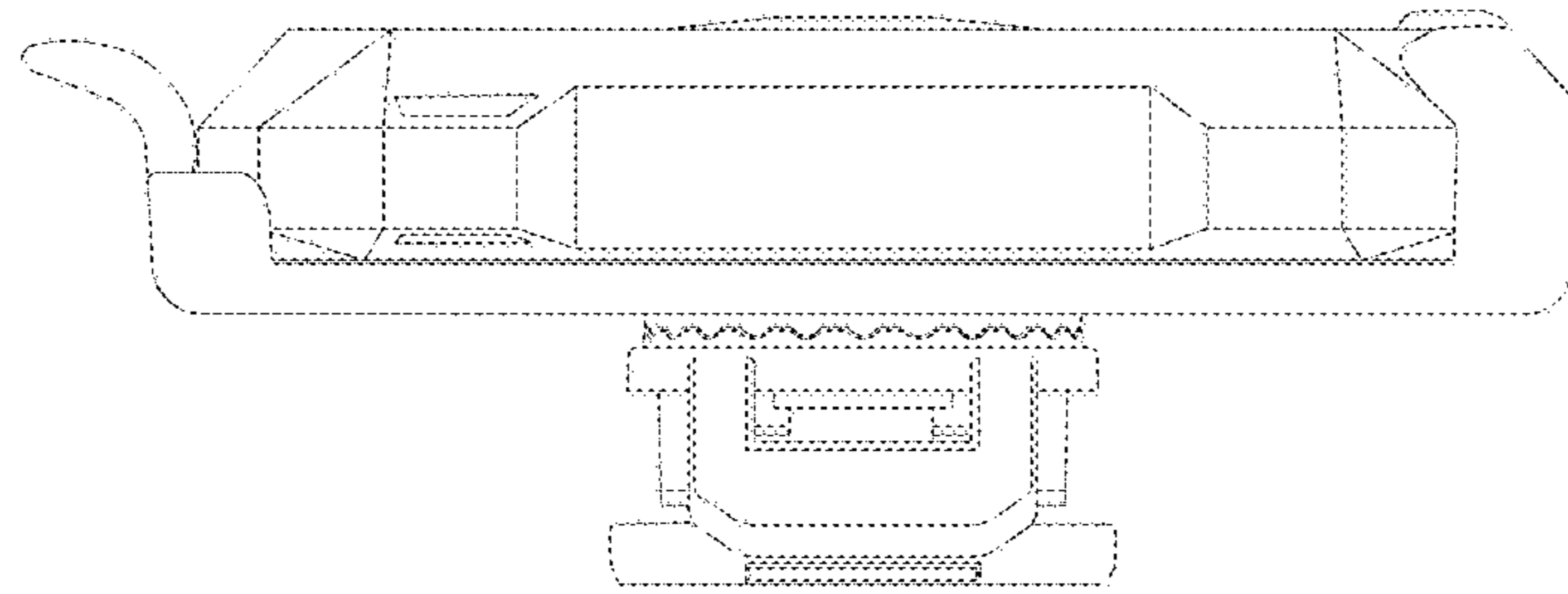


FIG. 21

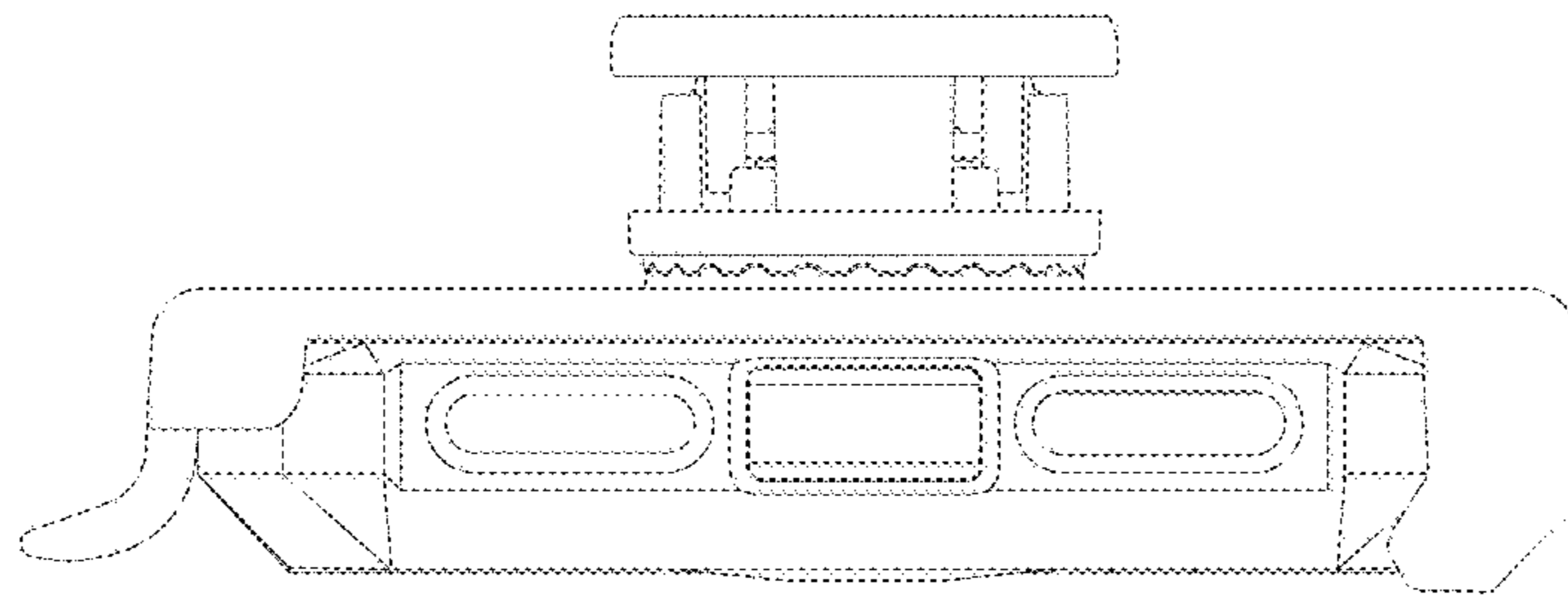


FIG. 22

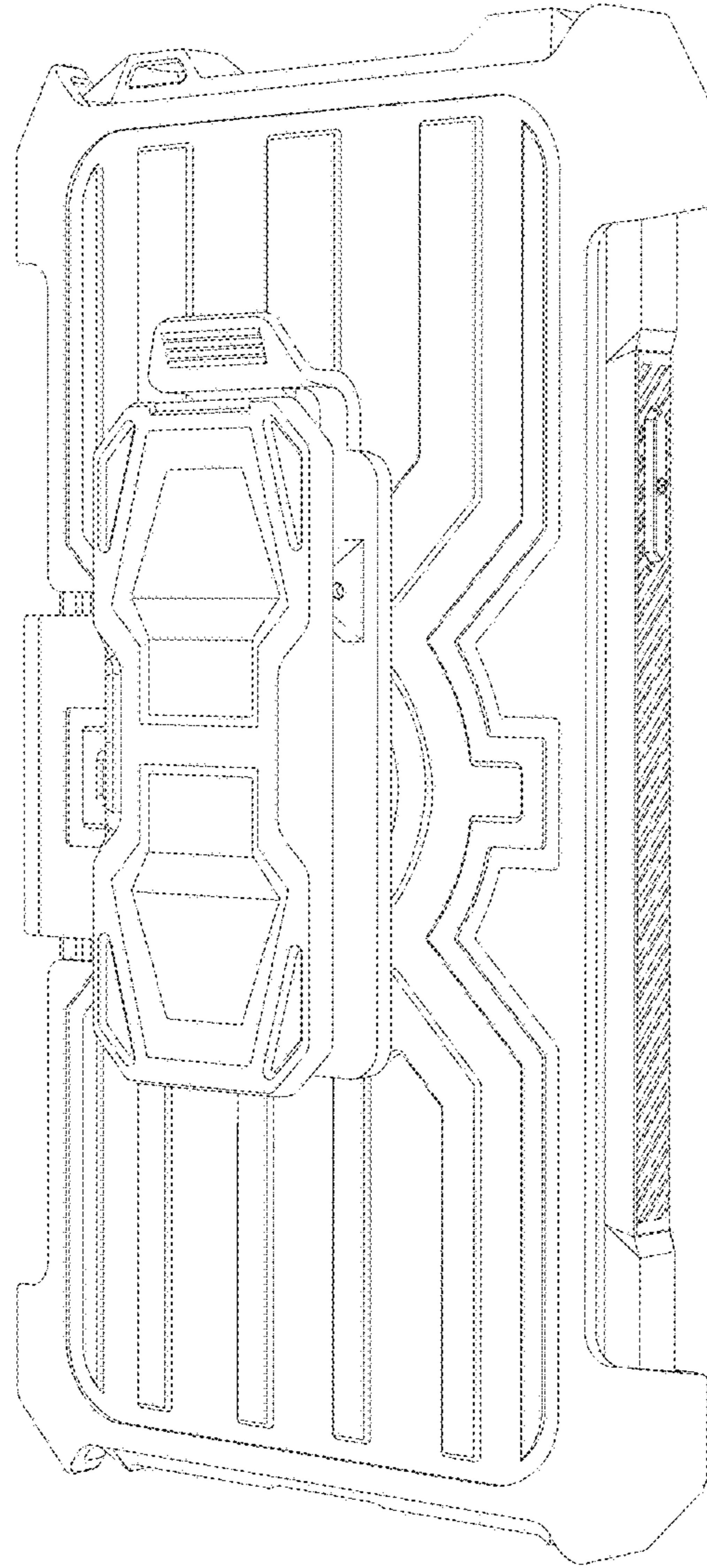


FIG. 23

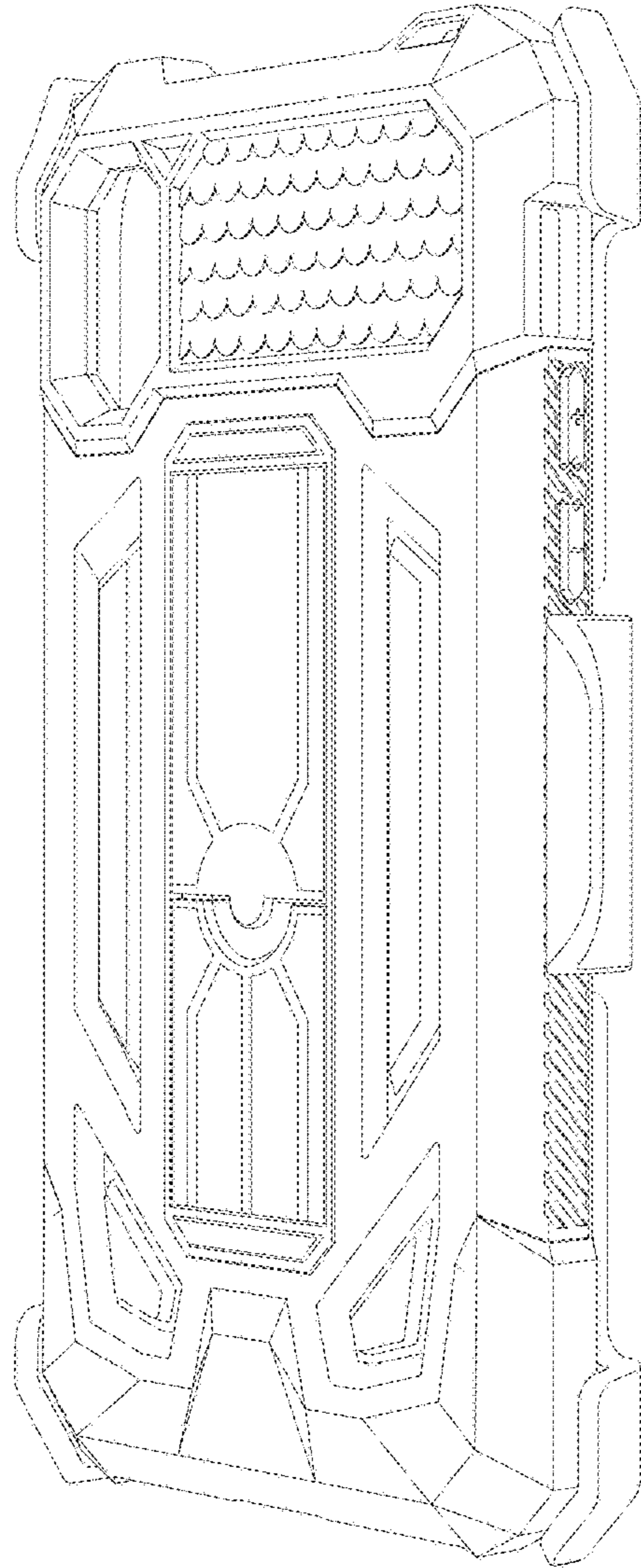


FIG. 24

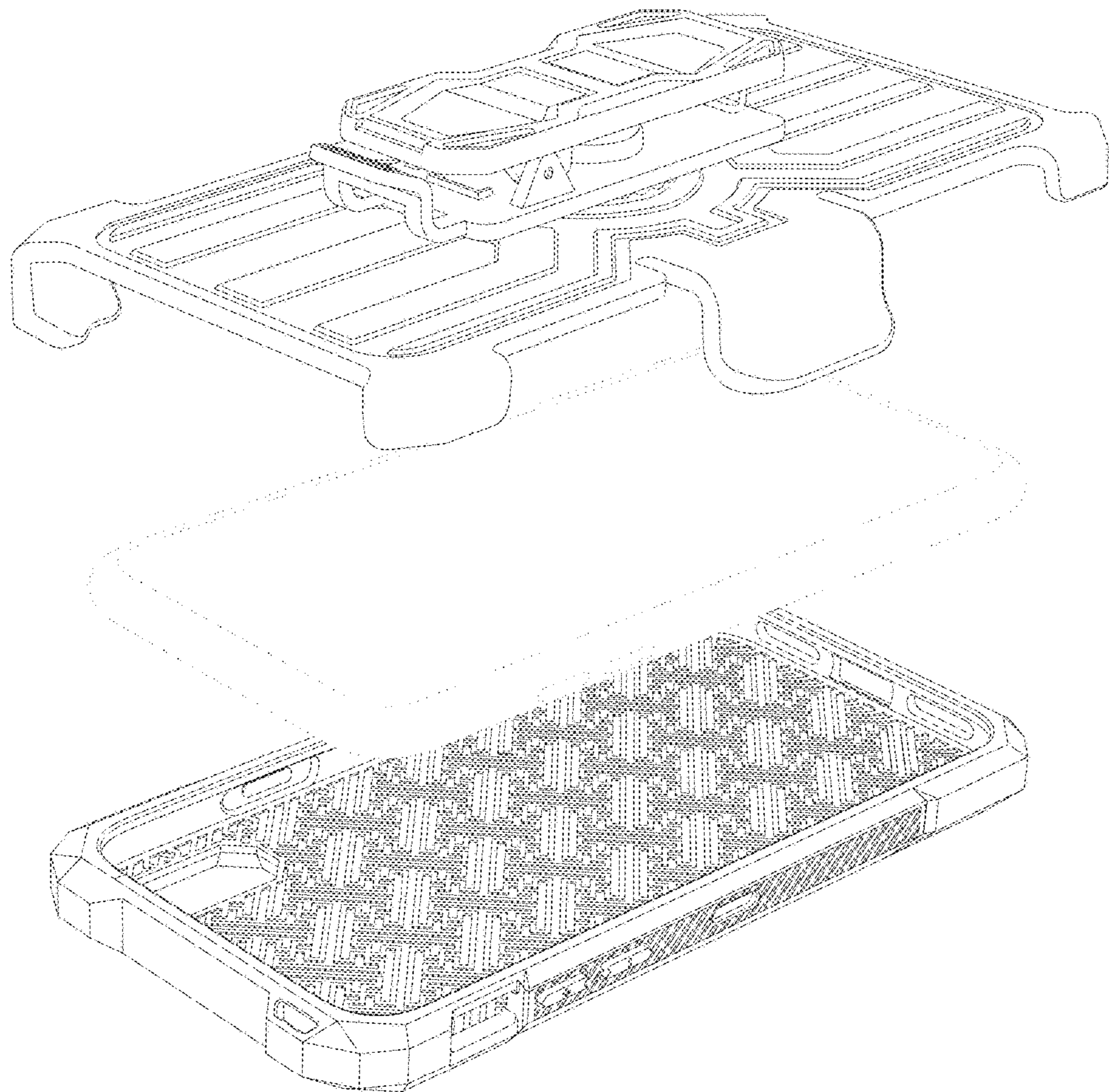


FIG. 25

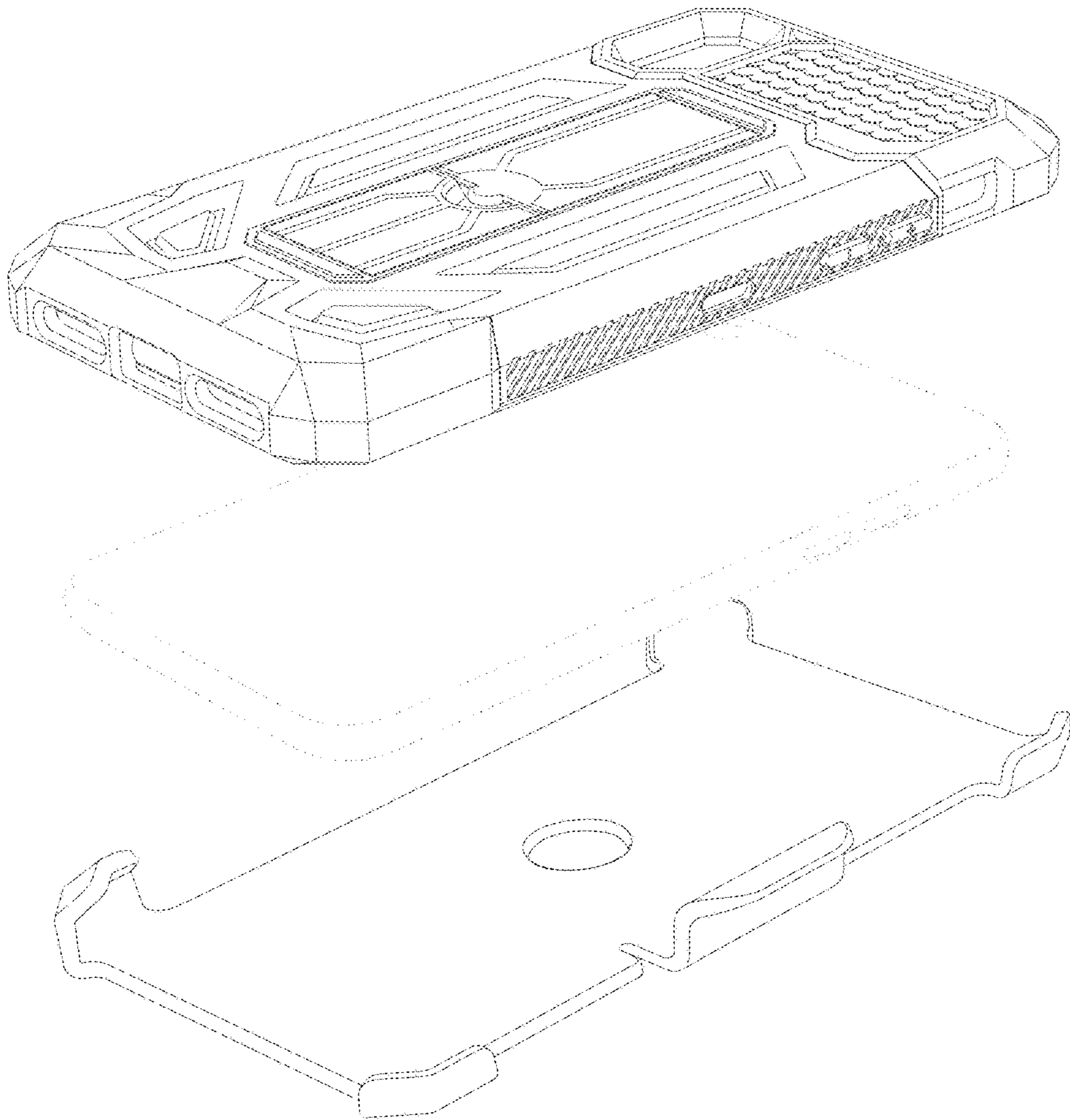


FIG. 26

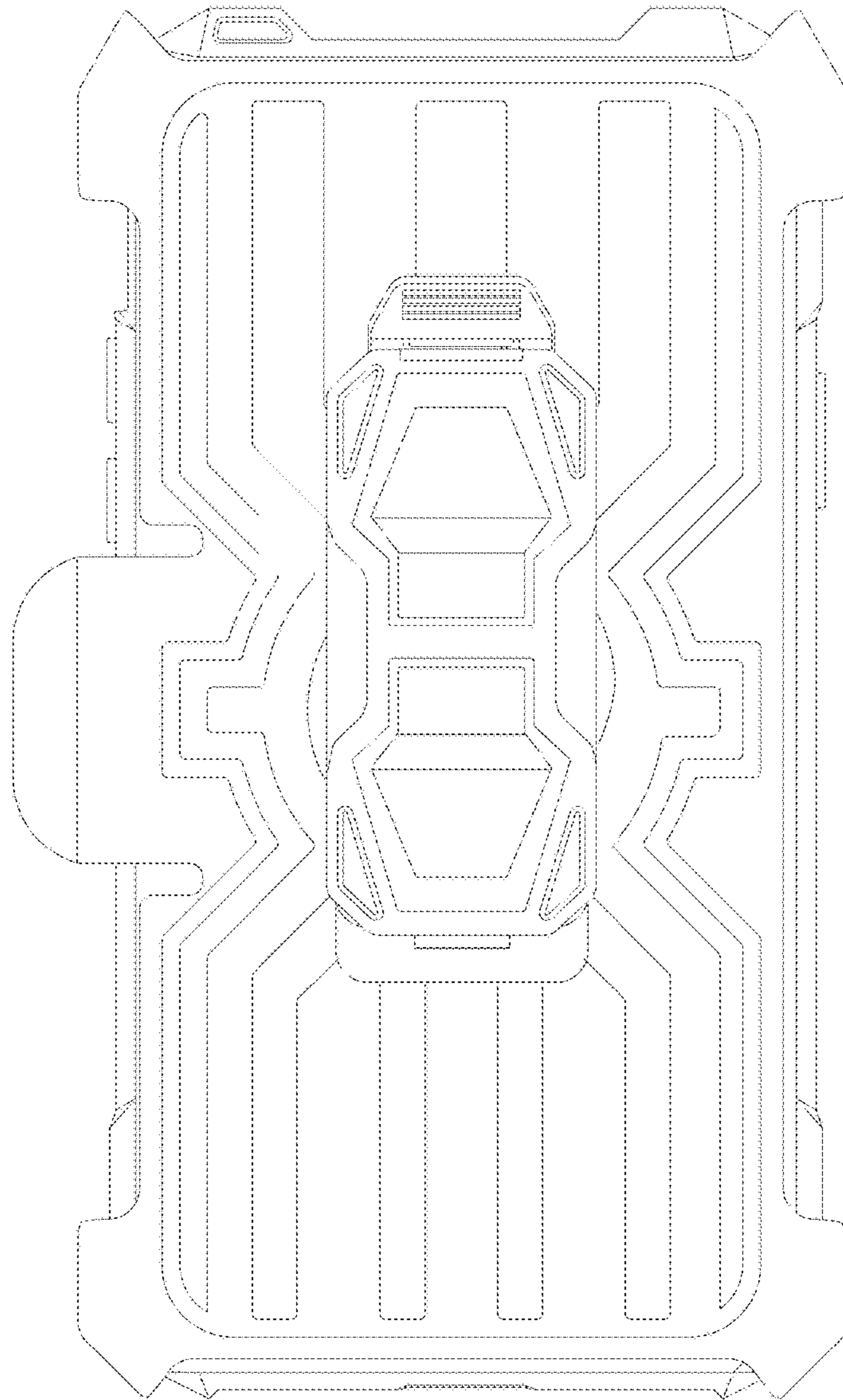


FIG. 27

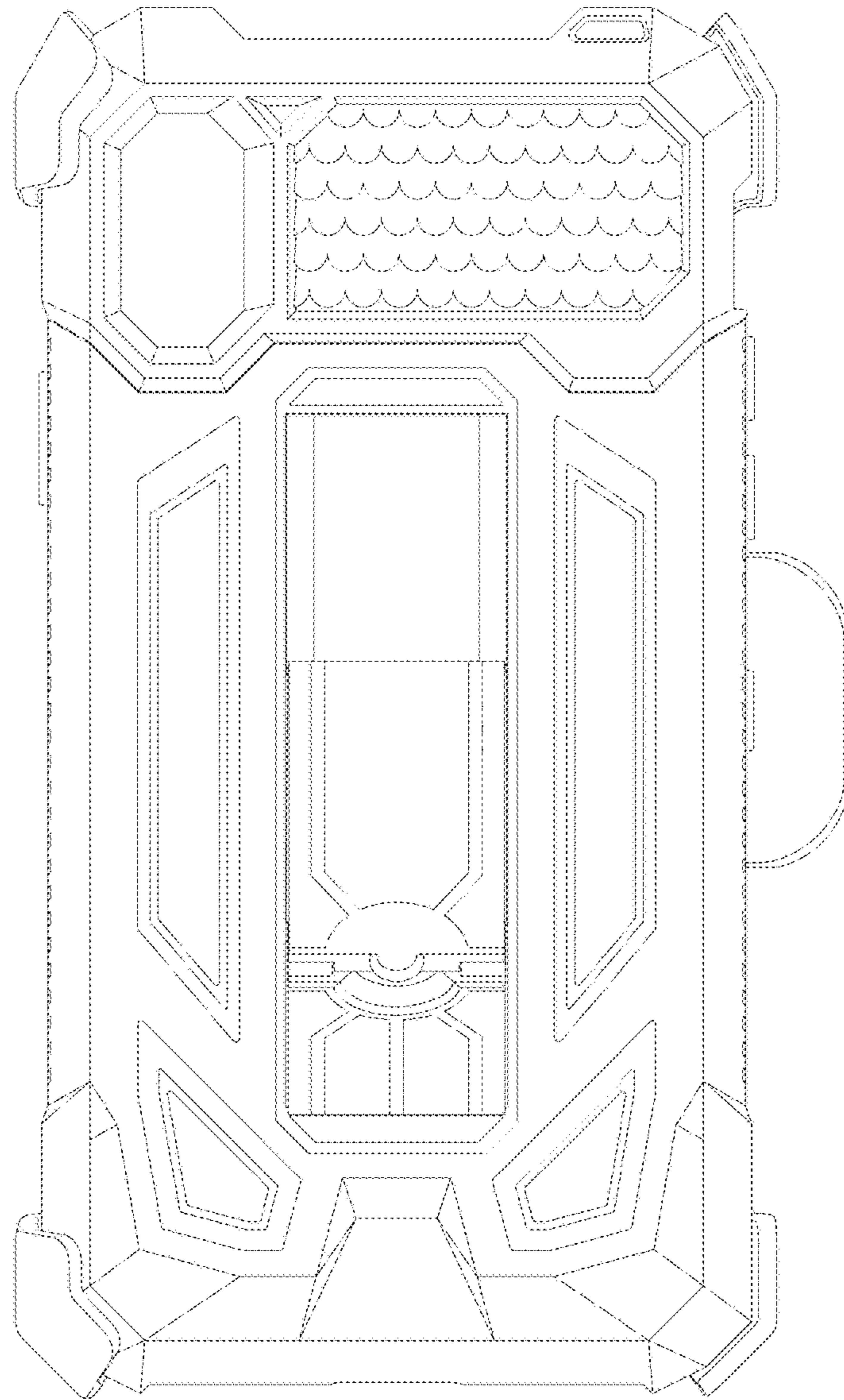


FIG. 28

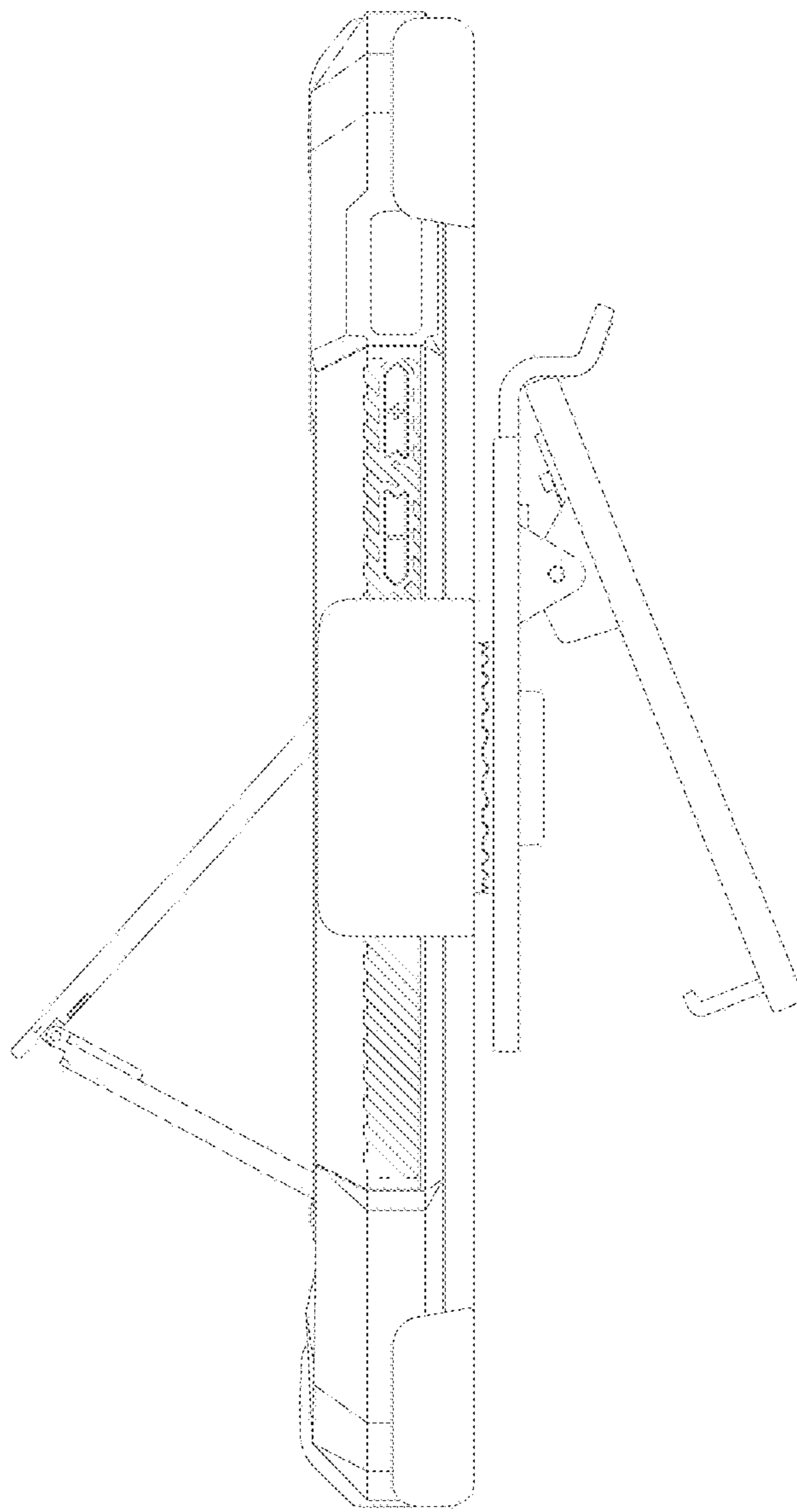


FIG. 29

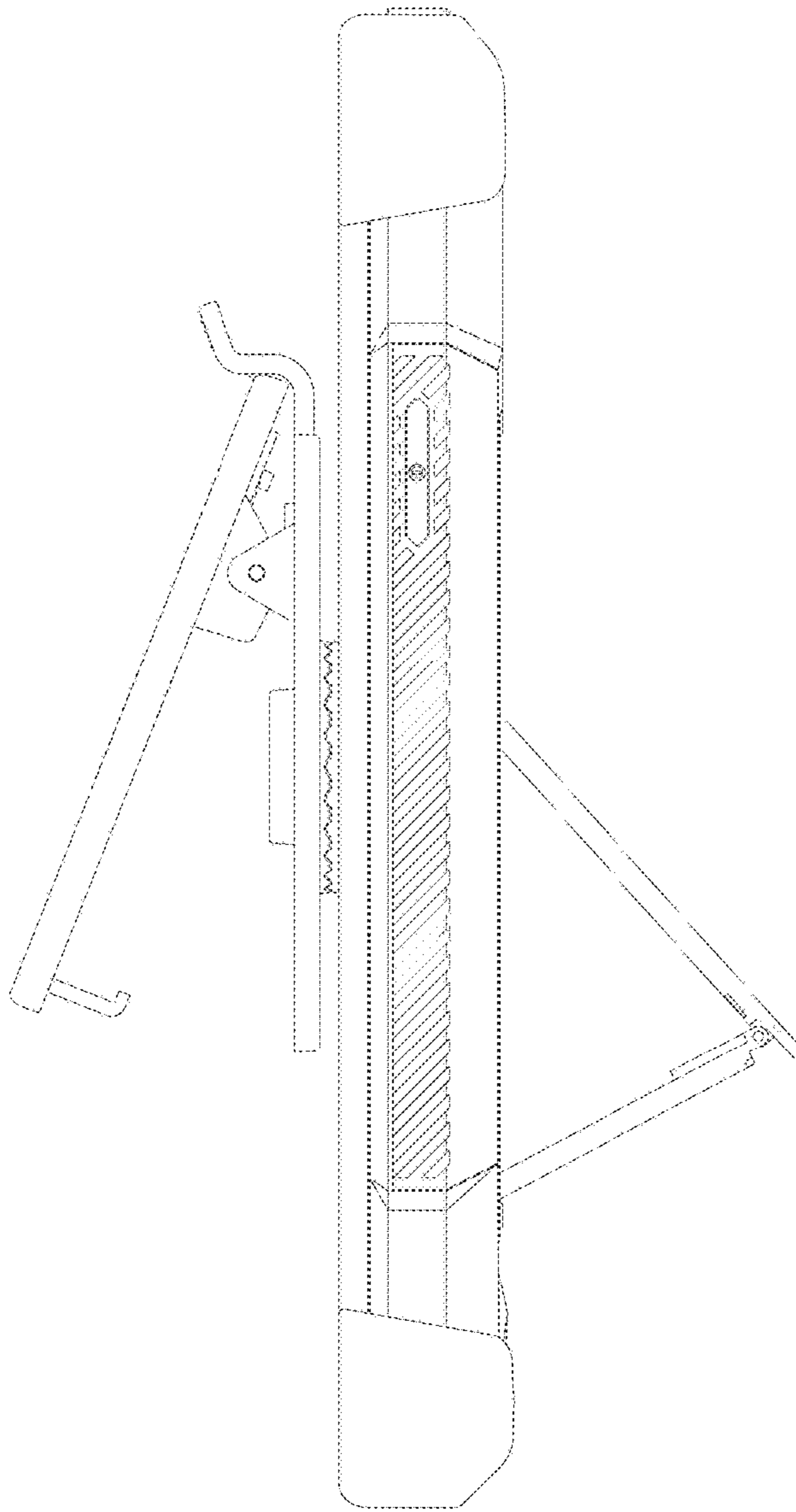


FIG. 30

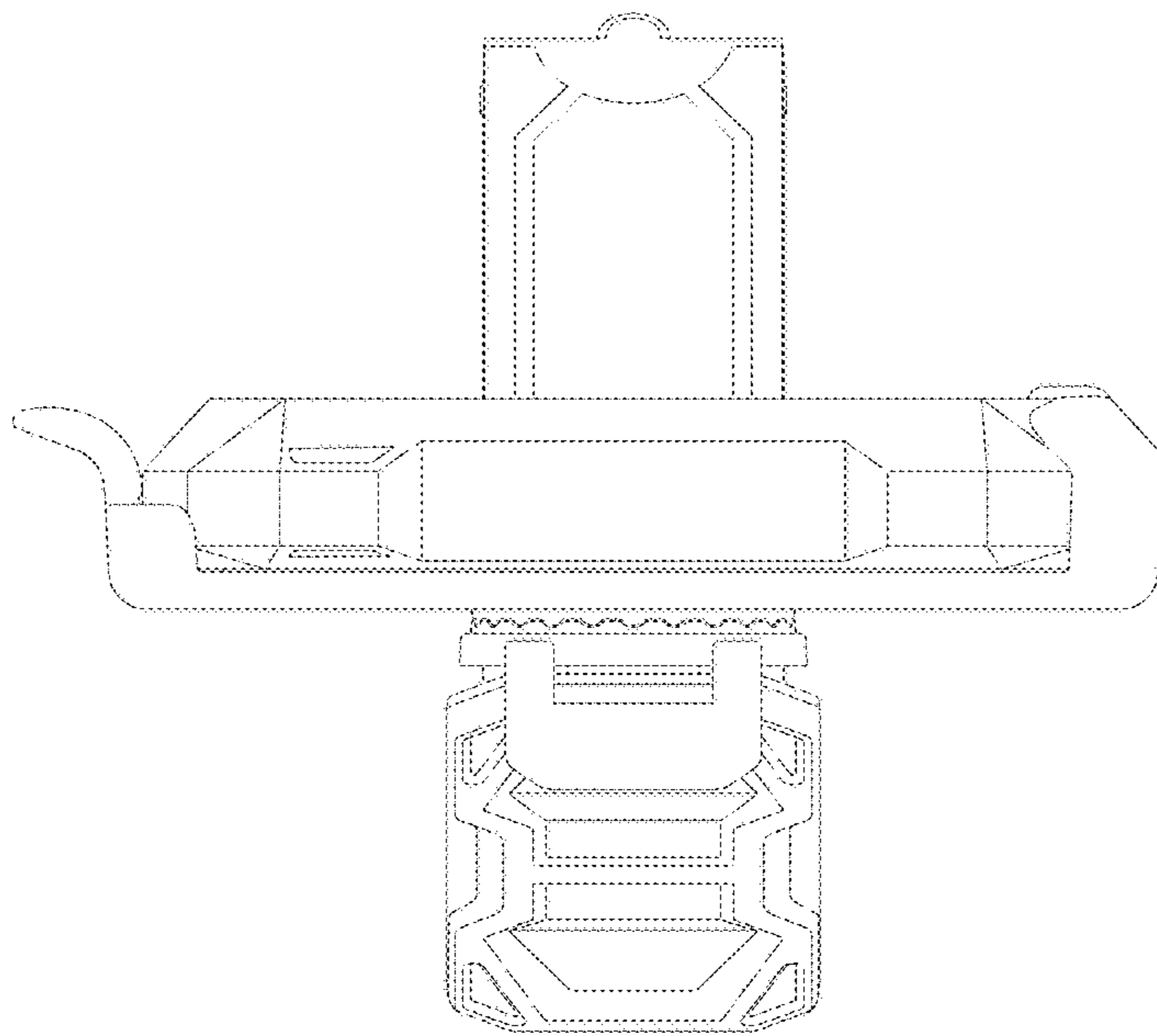


FIG. 31

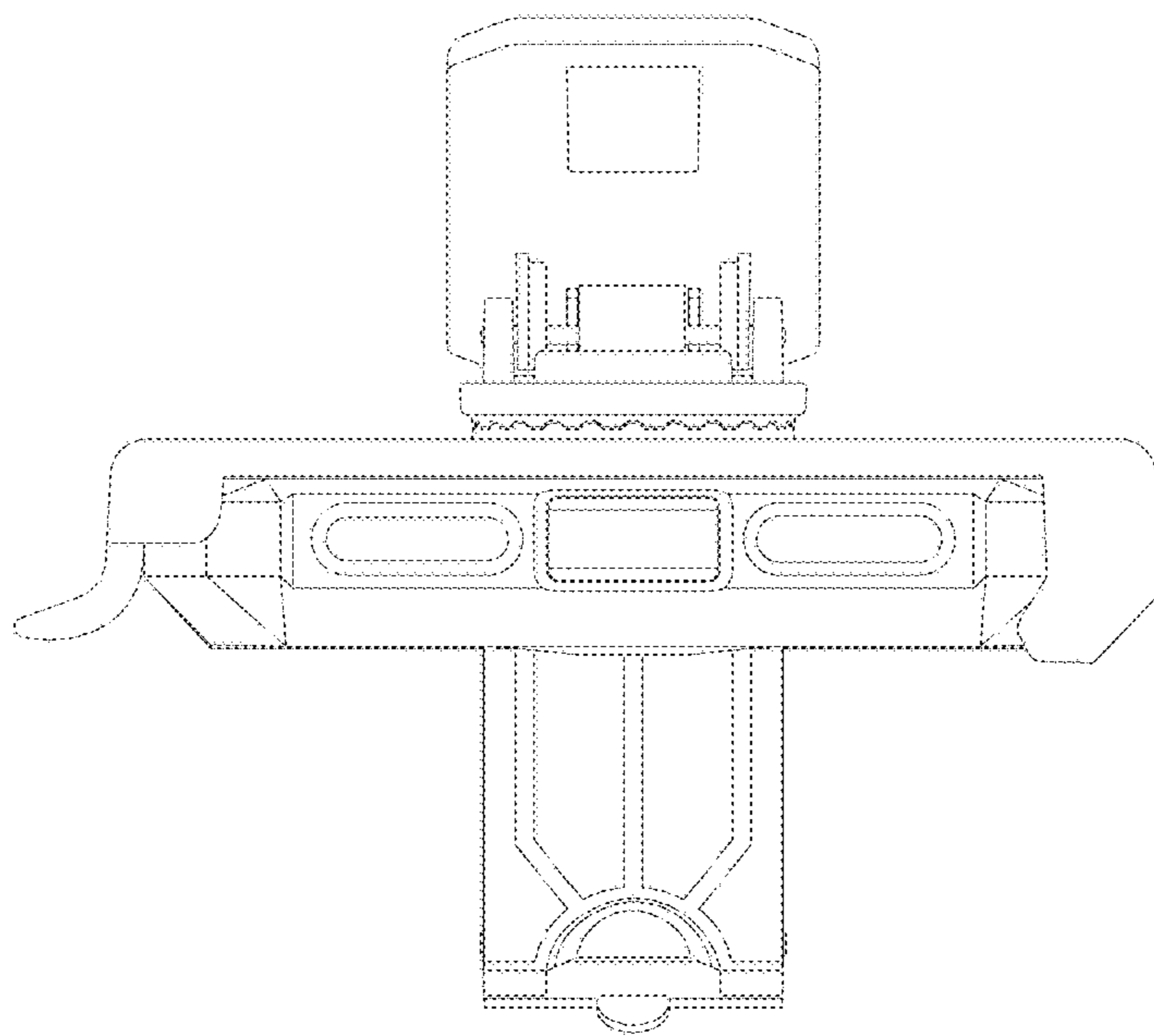


FIG. 32

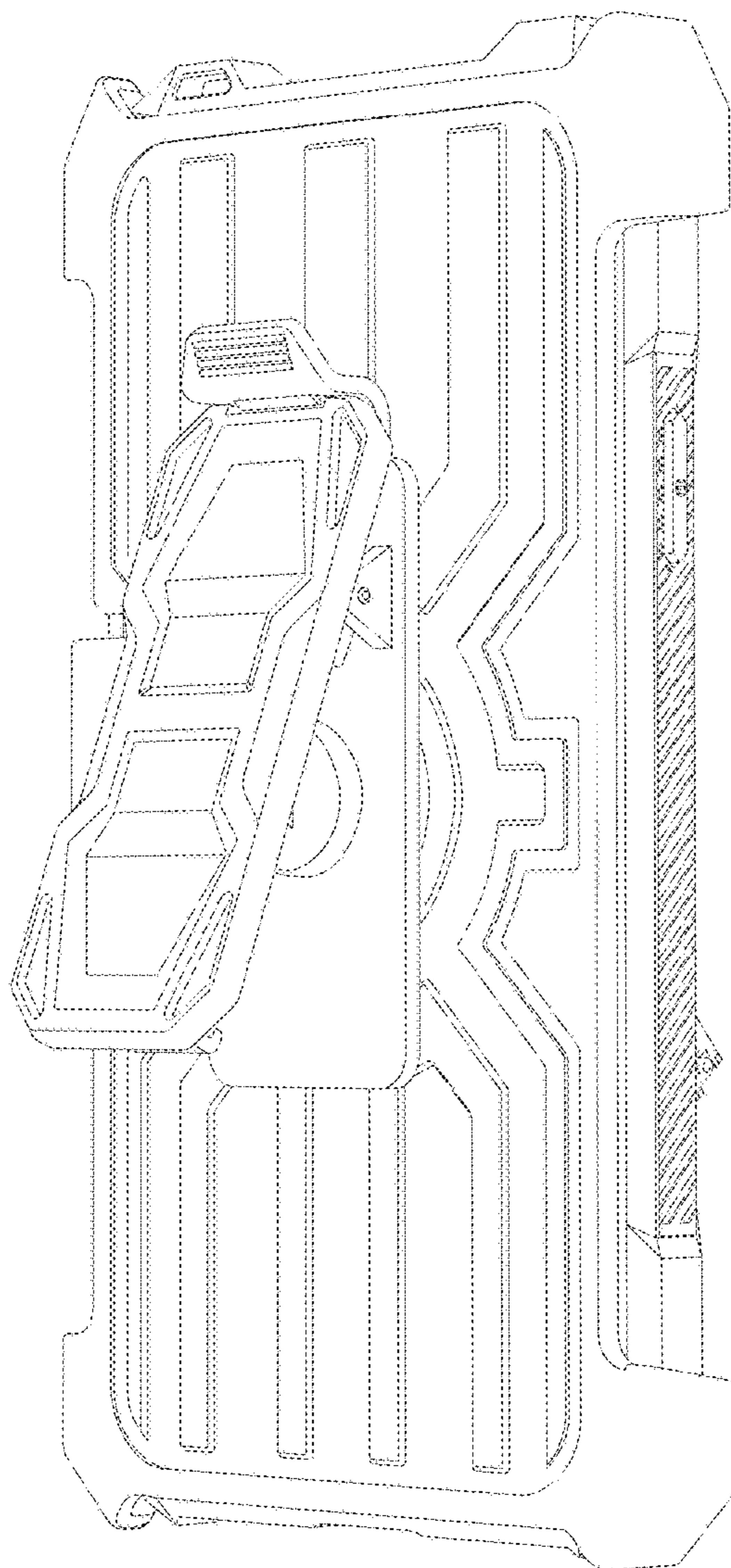


FIG. 33

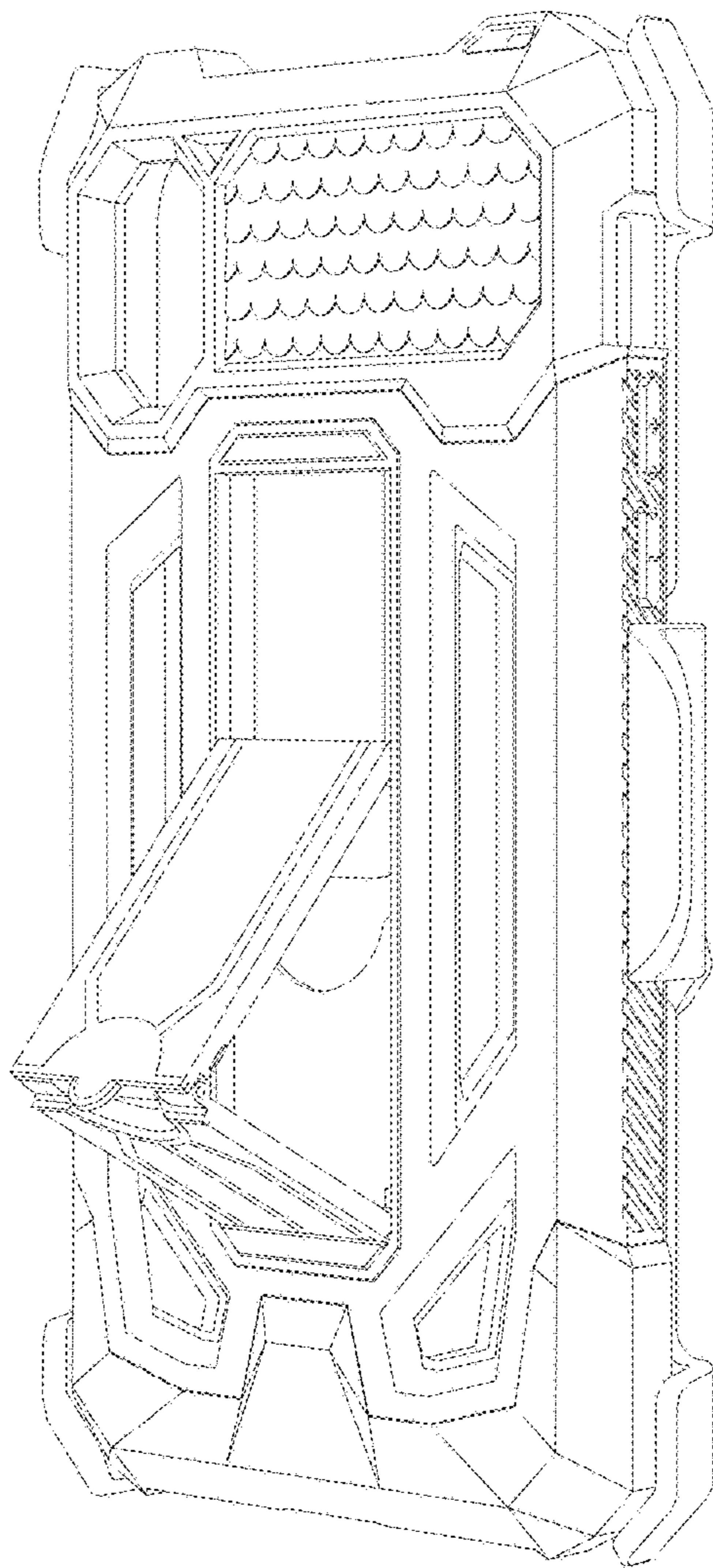


FIG. 34

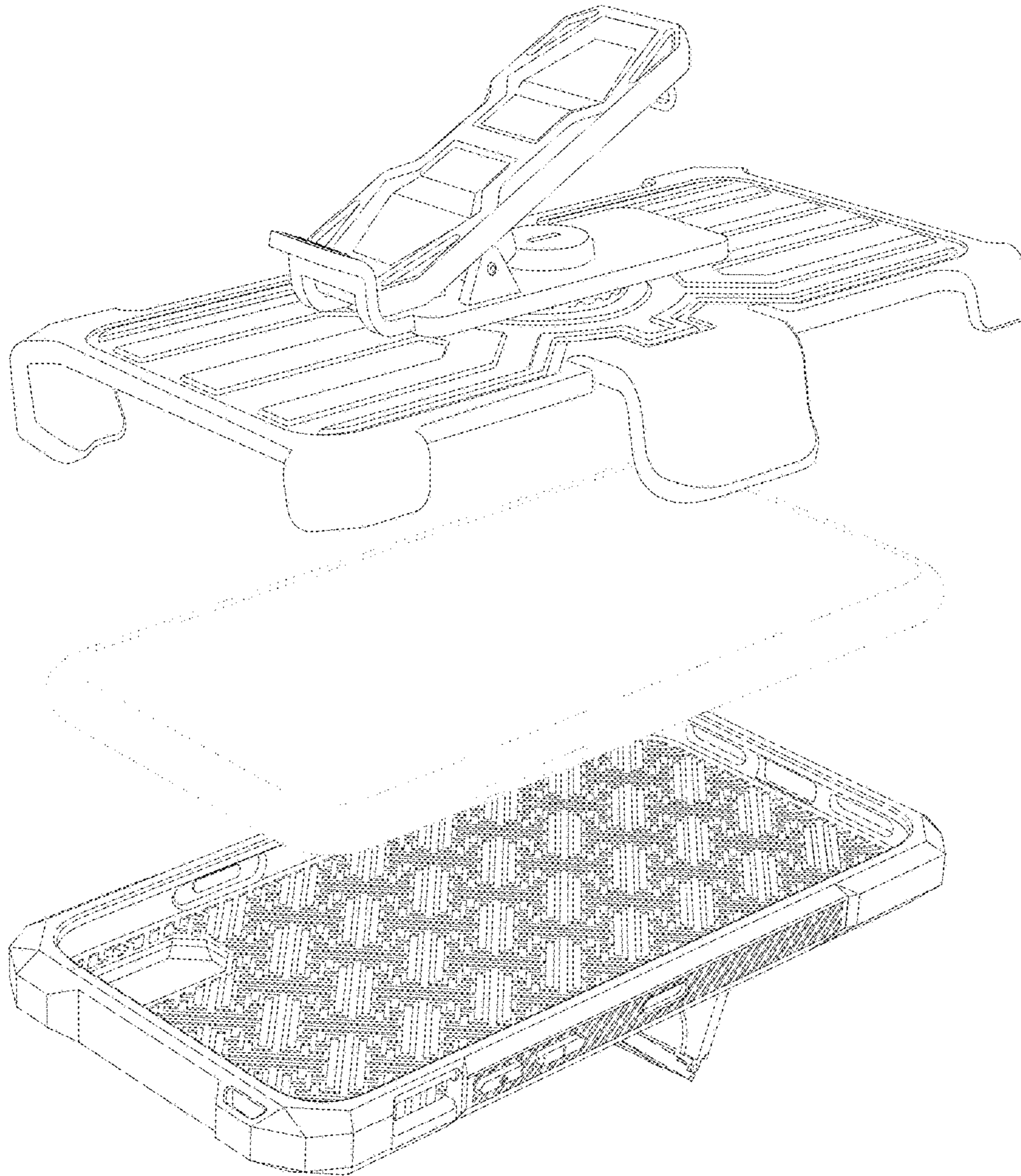


FIG. 35

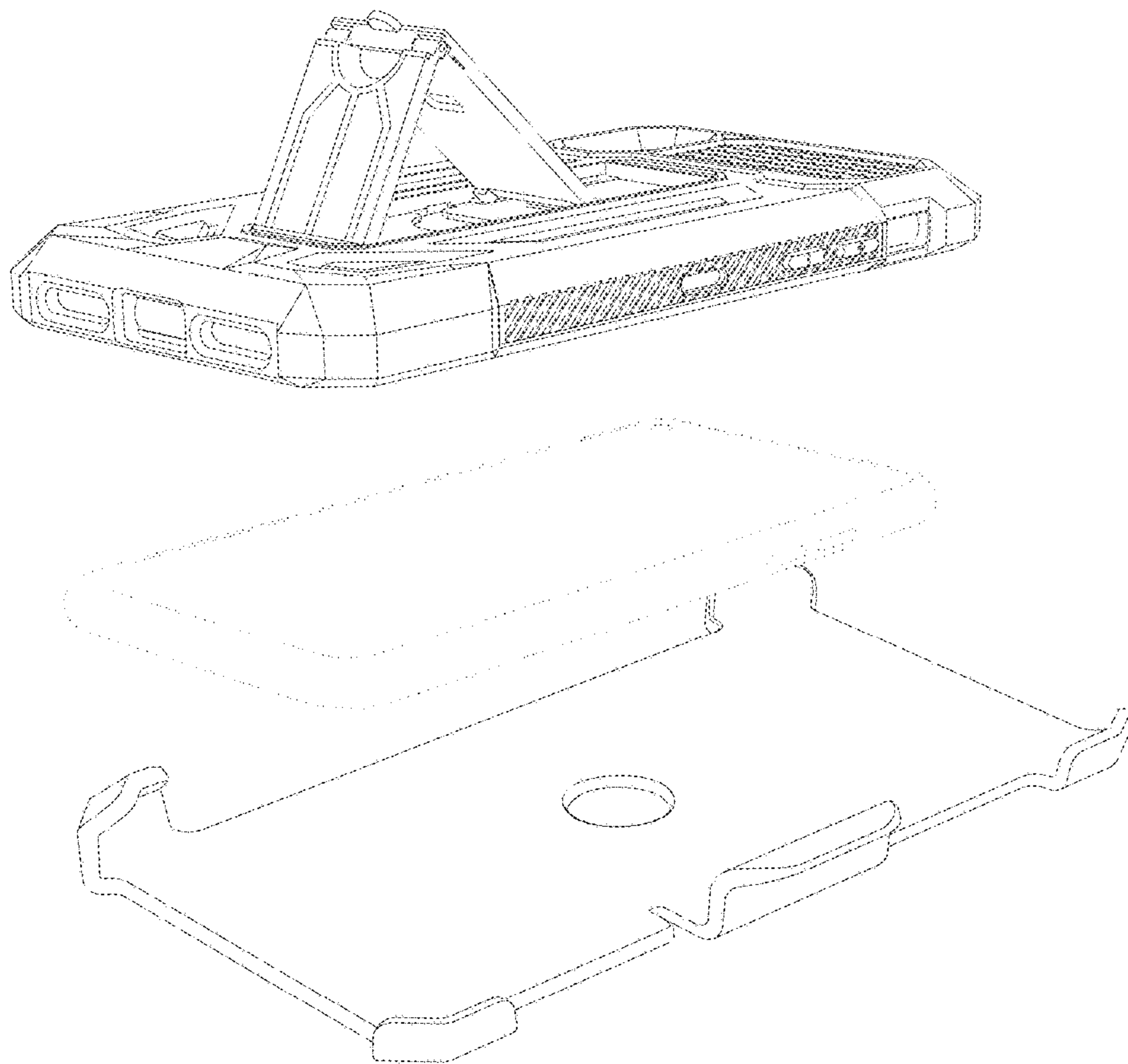


FIG. 36