



US00D853712S

(12) **United States Design Patent** (10) **Patent No.:** **US D853,712 S**
Mockler et al. (45) **Date of Patent:** **** Jul. 16, 2019**

- (54) **WINDOW BOX WITH HANDLES**
- (71) Applicant: **EDIBLE IP, LLC**, Wallingford, CT (US)
- (72) Inventors: **Cynthia Mockler**, North Haven, CT (US); **Ricardo Perez**, Broad Brook, CT (US)
- (73) Assignee: **EDIBLE IP, LLC**, Wallingford, CT (US)
- (**) Term: **15 Years**
- (21) Appl. No.: **29/638,088**
- (22) Filed: **Feb. 23, 2018**

4,651,466 A	3/1987	Robinson	
D296,089 S	6/1988	Pouliot	
D352,516 S	11/1994	Newman et al.	
D399,868 S *	10/1998	Harden	D18/18
D406,946 S	3/1999	Larson	
D443,558 S *	6/2001	Kaufman	D11/149
6,434,882 B1	8/2002	Becker	
D468,663 S	1/2003	Fan	
D486,420 S	2/2004	Fan	
D520,239 S	5/2006	Rand et al.	
D700,002 S *	2/2014	Lupo, Jr.	D7/354
D714,184 S	9/2014	Lucht	
D823,156 S *	7/2018	Woltz	D11/148
D823,158 S *	7/2018	Ryan	D11/155
D825,377 S *	8/2018	Mockler	D11/156
2008/0302943 A1	12/2008	Lunato et al.	

* cited by examiner

Primary Examiner — Karen S Acker
Assistant Examiner — Steven B Reinhardt, Jr.
 (74) *Attorney, Agent, or Firm* — Troutman Sanders, LLP; Christopher C. Close, Jr.

Related U.S. Application Data

(62) Division of application No. 29/595,900, filed on Mar. 2, 2017, now Pat. No. Des. 825,377.

(51) **LOC (11) Cl.** **03-01**

(52) **U.S. Cl.**
USPC **D3/201**

(58) **Field of Classification Search**
 USPC D11/151, 154, 156, 152, 157, 143, 148, D11/425; D6/403, 405, 513, 556, 572, D6/565, 573, 675.1, 680.1; D21/338; D23/267; D25/164; D34/7; D3/276, D3/292, 308, 313, 315; D7/359, 550.1, D7/554.3, 600; D8/381; D99/5; D9/425
 CPC A47G 7/044; A01G 31/02
 See application file for complete search history.

(56) **References Cited**

U.S. PATENT DOCUMENTS

487,836 A *	12/1892	Hurst	A01K 39/014
			119/61.3
487,936 A	12/1892	Hurst	

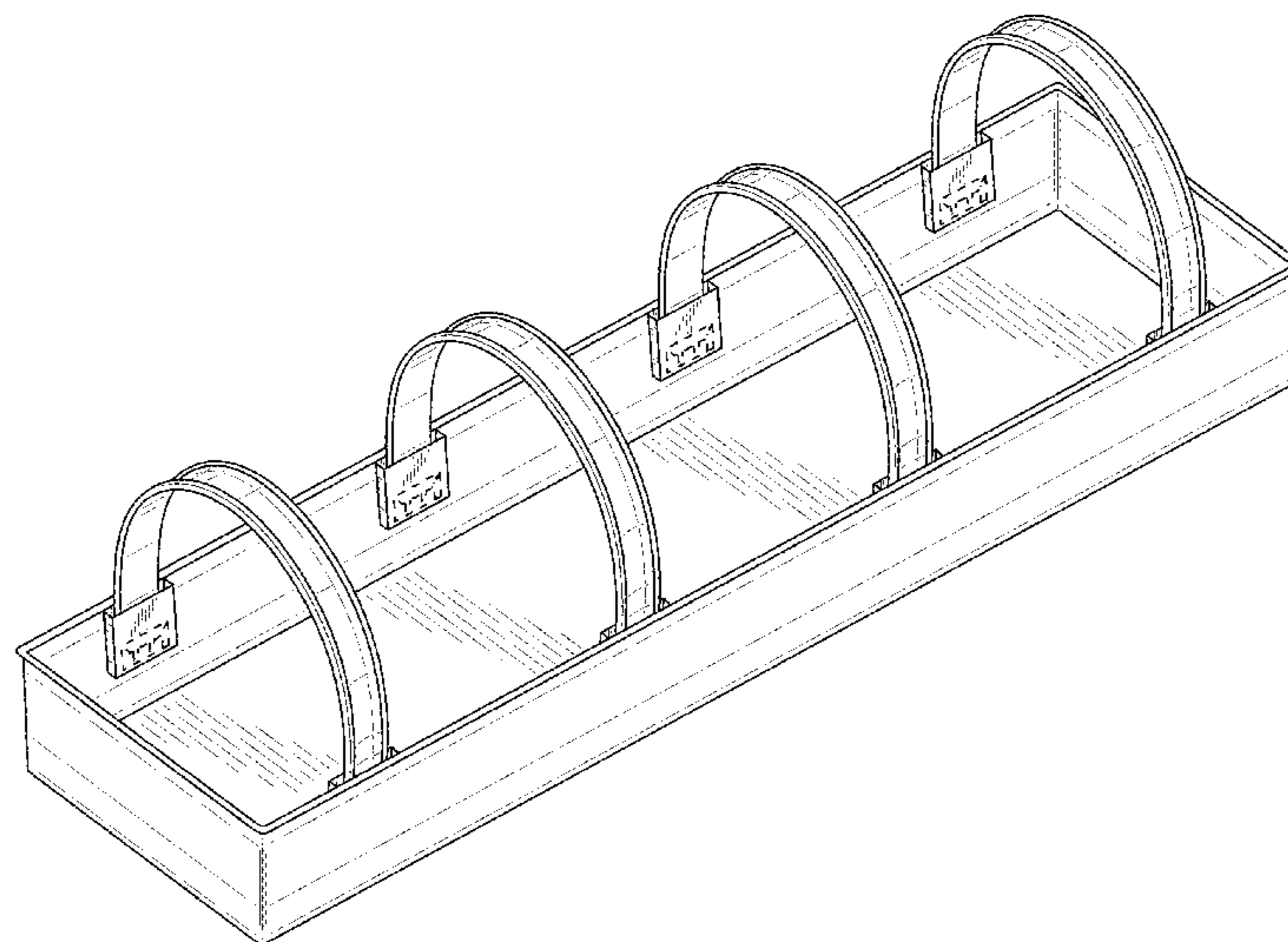
(57) **CLAIM**

We claim the ornamental design of a window box with handles, substantially as shown and described.

DESCRIPTION

FIG. 1 is a front perspective view of a window box with handles in accordance with my new design;
 FIG. 2 is a left side view of the window box with handles in FIG. 1;
 FIG. 3 is a right side view thereof;
 FIG. 4 is a front view thereof;
 FIG. 5 is a back view thereof;
 FIG. 6 is a top view thereof; and,
 FIG. 7 is a bottom view thereof.
 The broken lines depict portions of the window box with handles that form no part of the claim.

1 Claim, 6 Drawing Sheets



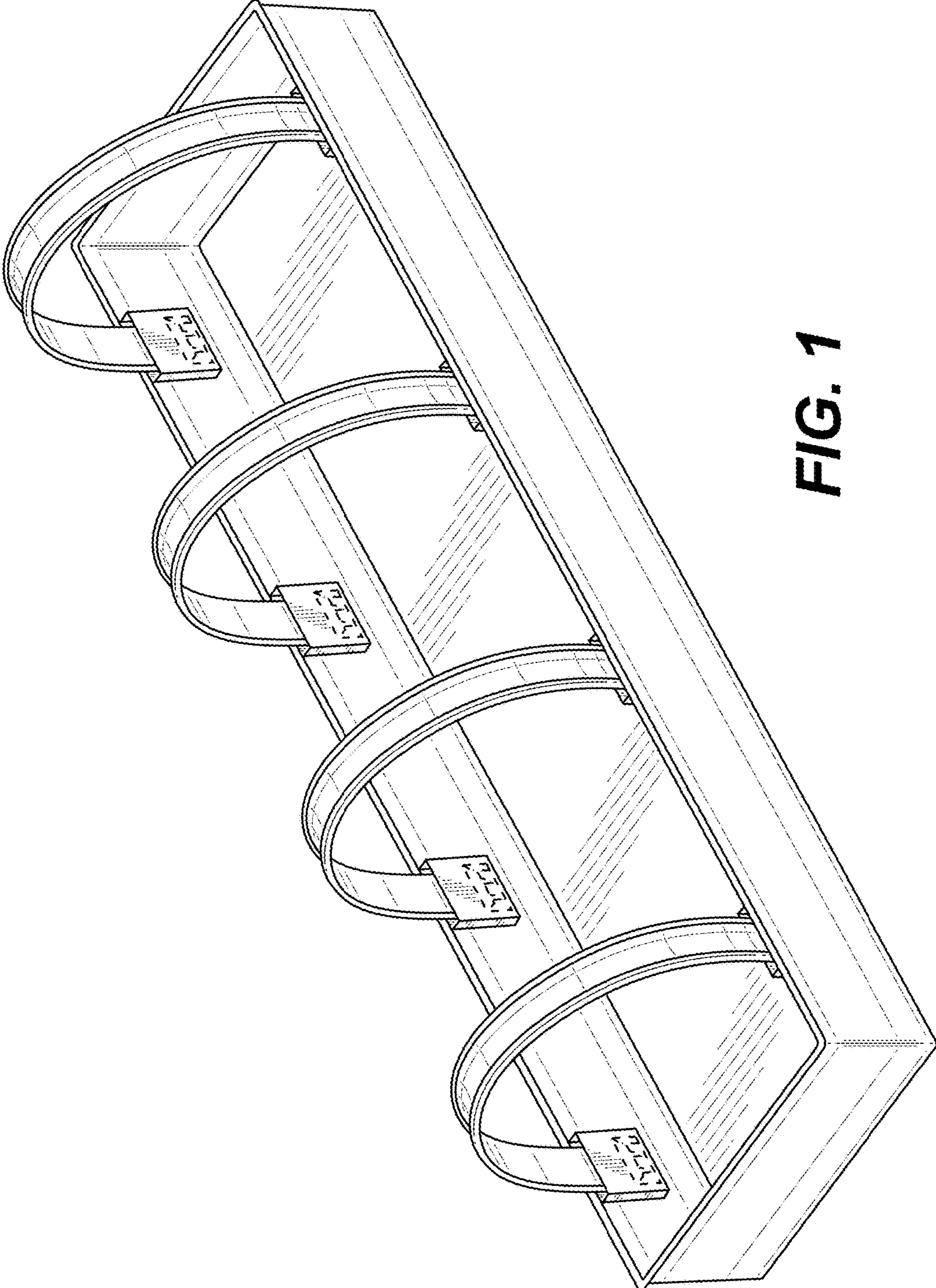


FIG. 1

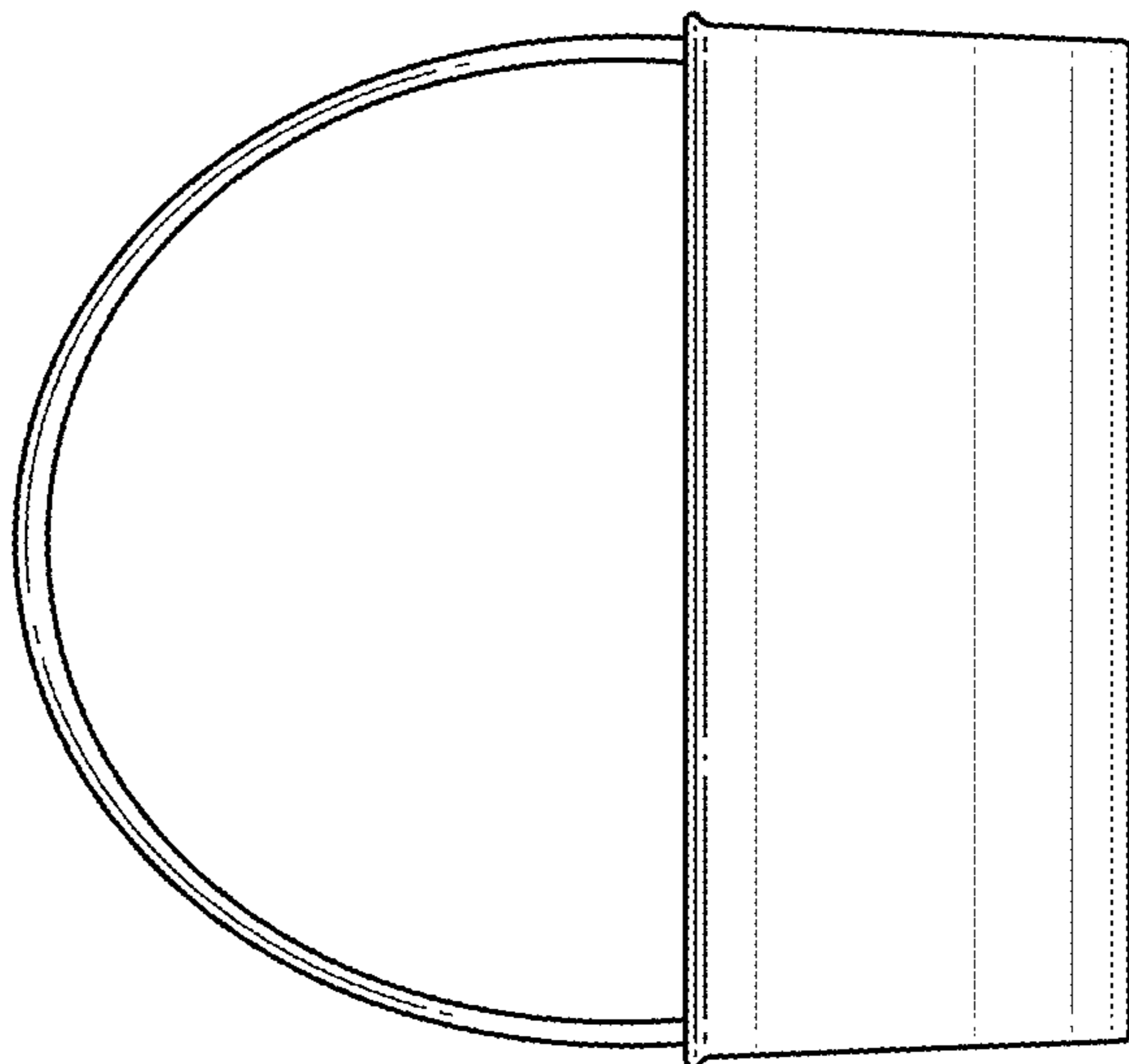


FIG. 2

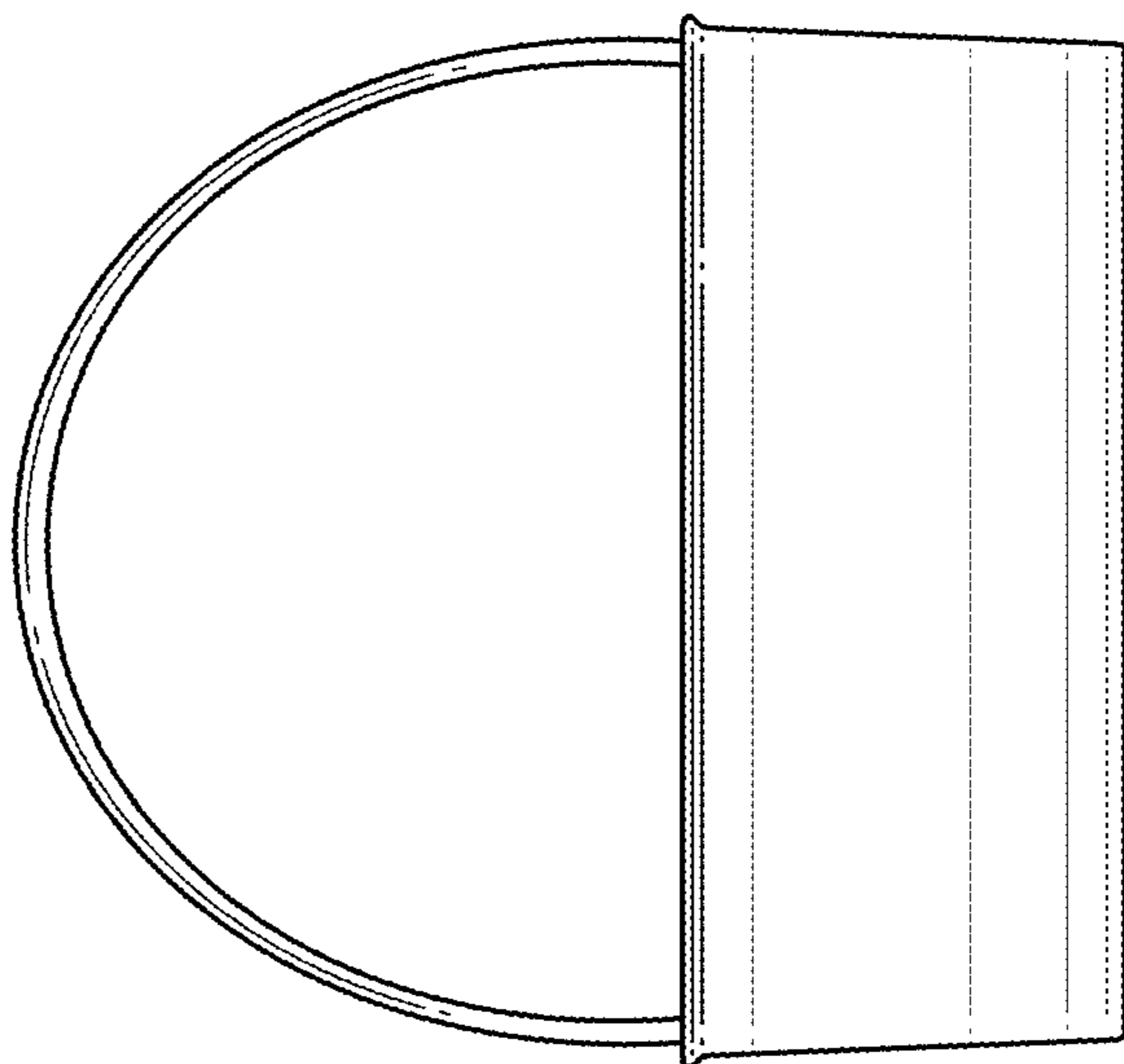


FIG. 3

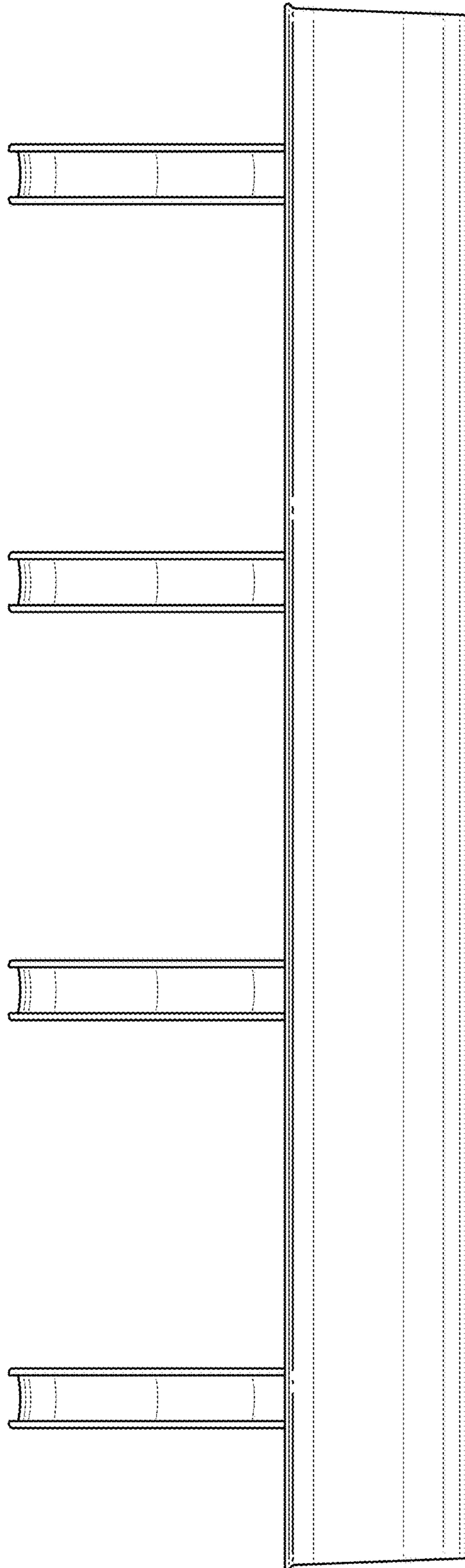


FIG. 4

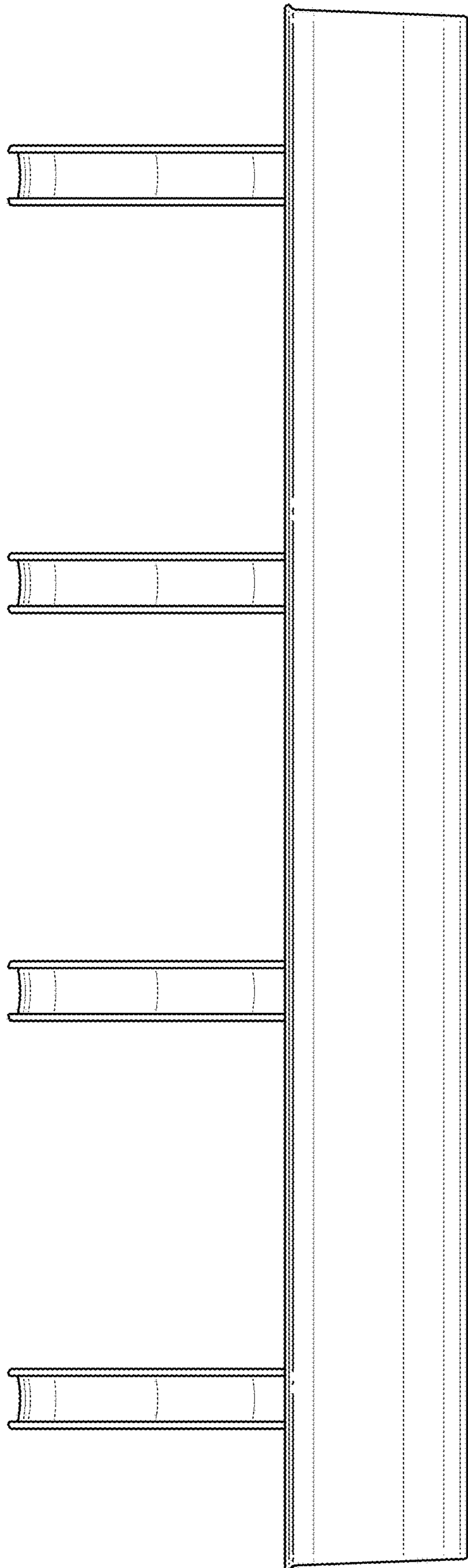


FIG. 5

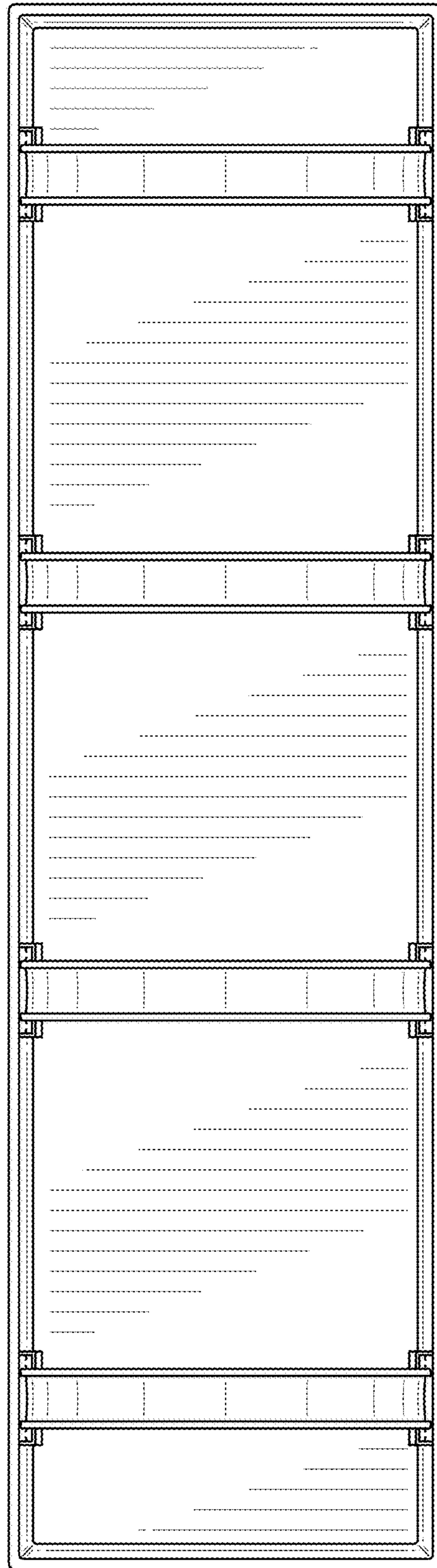


FIG. 6

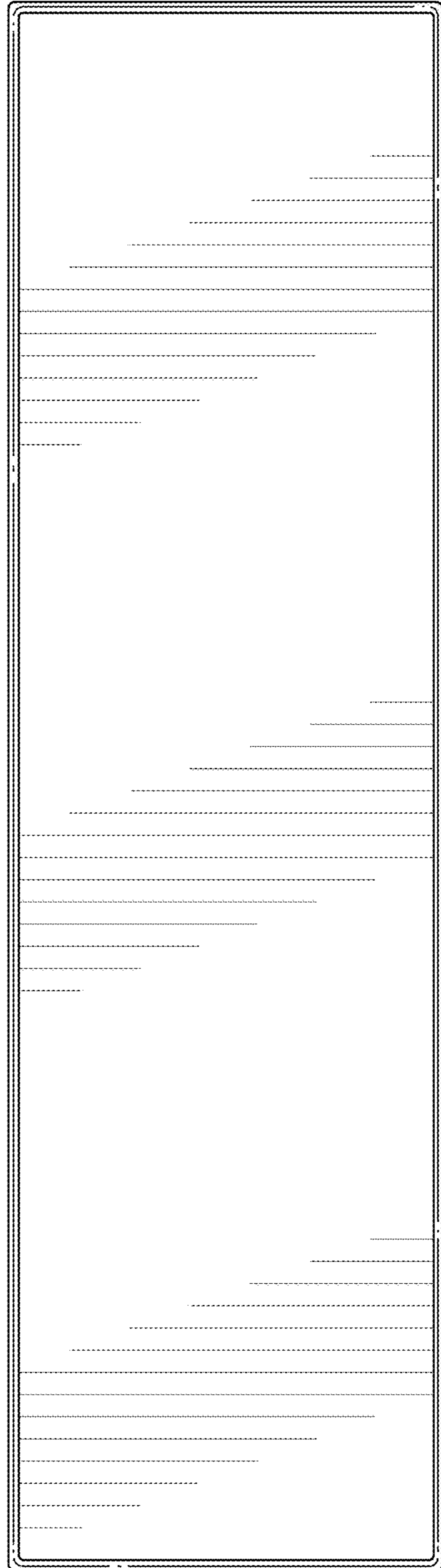


FIG. 7