



US00D853694S

(12) **United States Design Patent** (10) **Patent No.:** **US D853,694 S**  
**Celin et al.** (45) **Date of Patent:** **\*\* Jul. 16, 2019**

(54) **SHOE**

(71) Applicant: **Consolidated Shoe Company, Inc.**,  
Lynchburg, VA (US)  
(72) Inventors: **Maurizio Celin**, Melide (CH); **William  
A. Carrington**, Lynchburg, VA (US)  
(73) Assignee: **Consolidated Shoe Company, Inc.**,  
Lynchburg, VA (US)

(\*\*) Term: **15 Years**

(21) Appl. No.: **29/670,307**

(22) Filed: **Nov. 15, 2018**

**Related U.S. Application Data**

(63) Continuation of application No. 29/644,593, filed on  
Apr. 19, 2018, now Pat. No. Des. 838,089, which is  
a continuation of application No. 29/600,544, filed on  
Apr. 13, 2017, now Pat. No. Des. 818,674.

(51) **LOC (11) Cl.** ..... **02-04**

(52) **U.S. Cl.**  
USPC ..... **D2/916**

(58) **Field of Classification Search**  
USPC ..... D2/896-900, 916-918, 925, 946, 969,  
D2/971  
CPC ..... A43B 3/12; A43B 3/10  
See application file for complete search history.

(56) **References Cited**

**U.S. PATENT DOCUMENTS**

D90,338 S *	7/1933	Roberts	.....	D2/918
D172,251 S *	5/1954	Salmeri	.....	D2/918
D296,608 S *	7/1988	Maciel	.....	D2/916
D306,930 S *	4/1990	Combs	.....	D2/916
D332,516 S *	1/1993	Middleton	.....	D2/916
D348,763 S *	7/1994	Judd	.....	D2/916
D370,555 S *	6/1996	Tong	.....	D2/916
D564,748 S *	3/2008	Belley	.....	D2/916
D696,500 S *	12/2013	Hunt	.....	D2/916

\* cited by examiner

*Primary Examiner* — Rashida C. Walshon

(74) *Attorney, Agent, or Firm* — Sughrue Mion, PLLC

(57) **CLAIM**

The ornamental design for a shoe, as shown and described.

**DESCRIPTION**

FIG. 1 is a front perspective view of the shoe of our new design;

FIG. 2 is a front view thereof;

FIG. 3 is a rear view thereof;

FIG. 4 is a right side view thereof;

FIG. 5 is a rear view thereof;

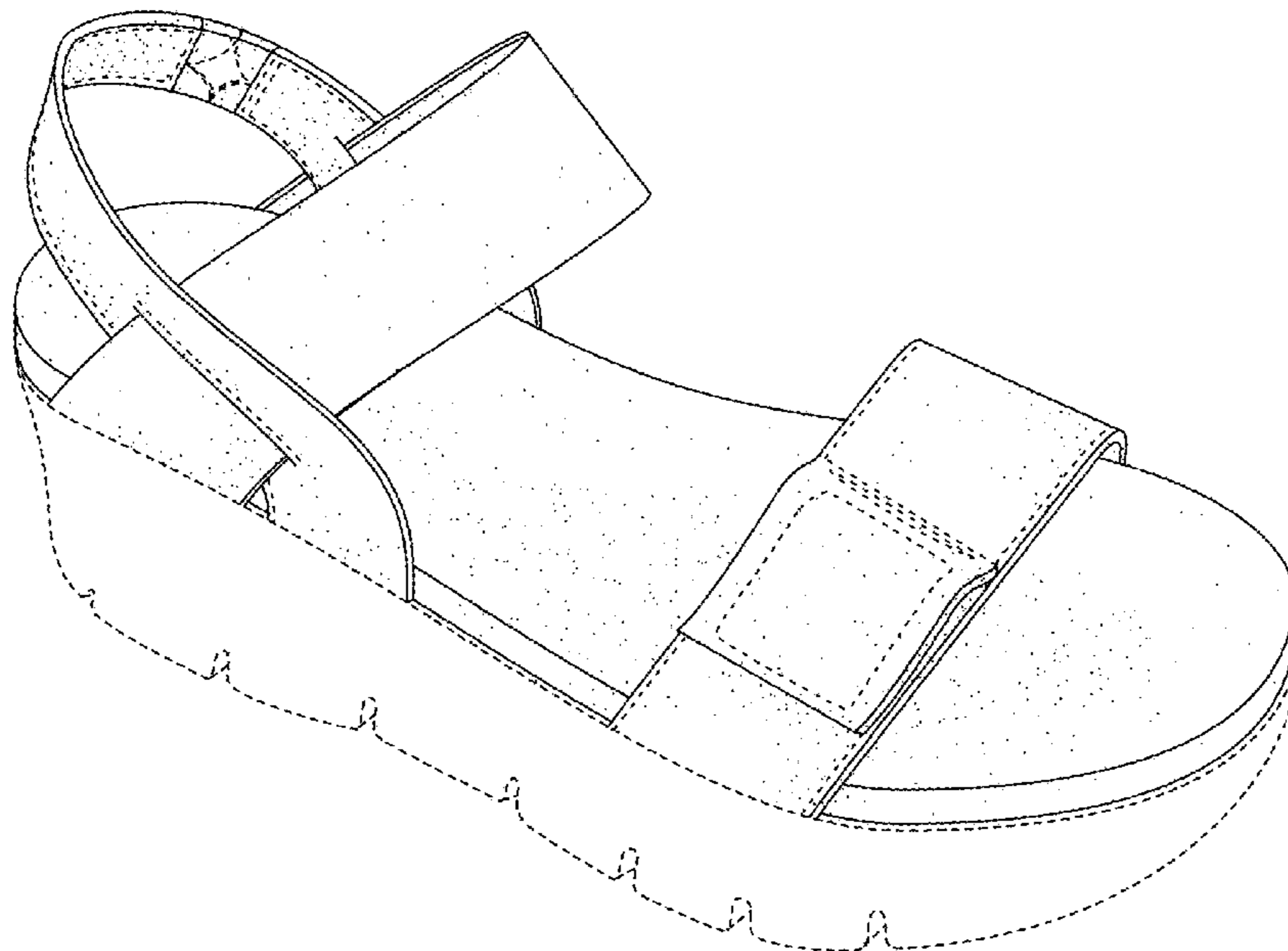
FIG. 6 is a top view thereof; and,

FIG. 7 is a rear perspective view thereof.

The dash-dash broken lines in the shoe upper form no part of the claimed design, including unclaimed portions of straps and the stitching.

The dash-dash broken lines in the sole portion of the shoe also form no part of the claimed design.

**1 Claim, 7 Drawing Sheets**



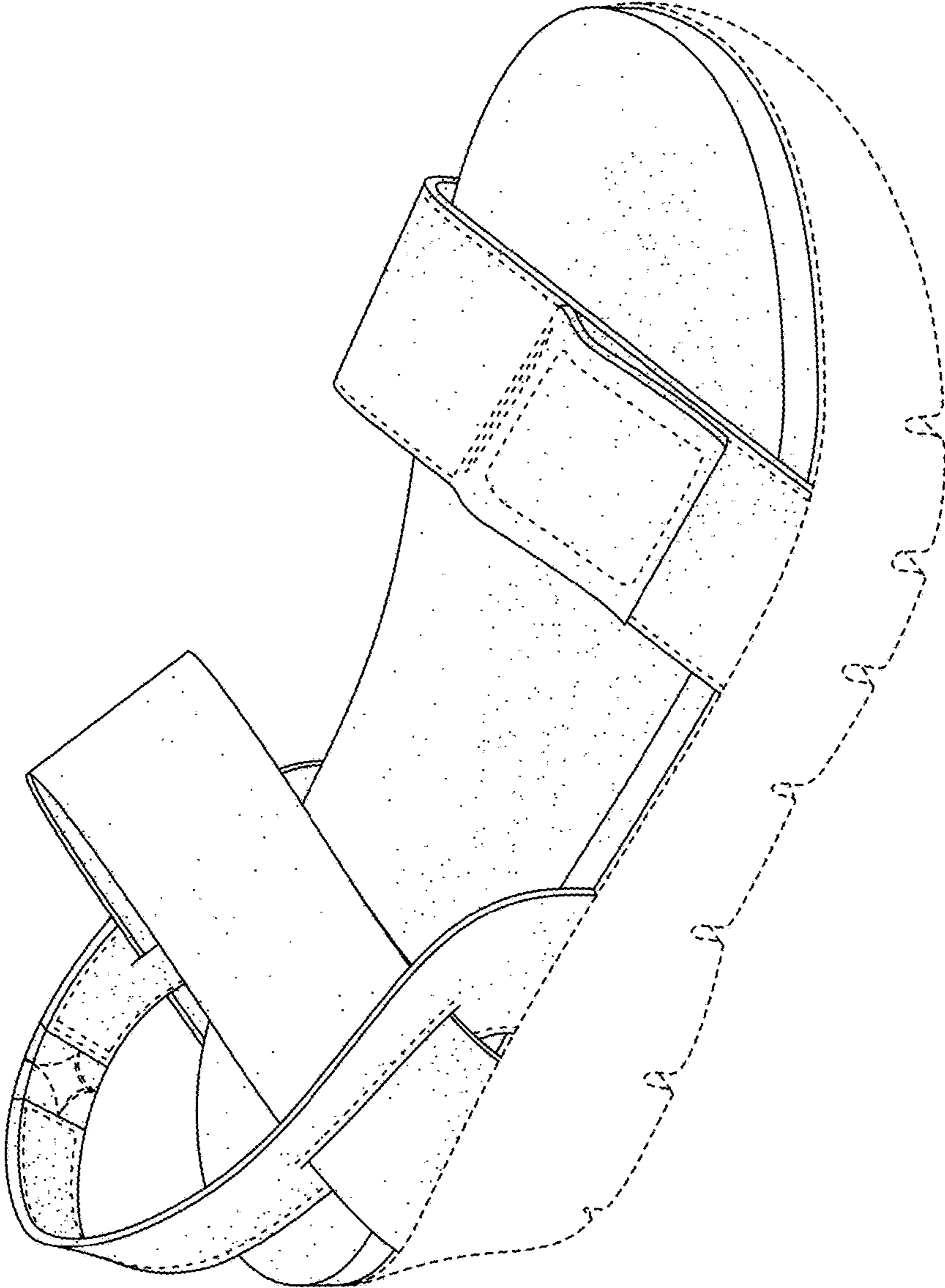


FIG. 1

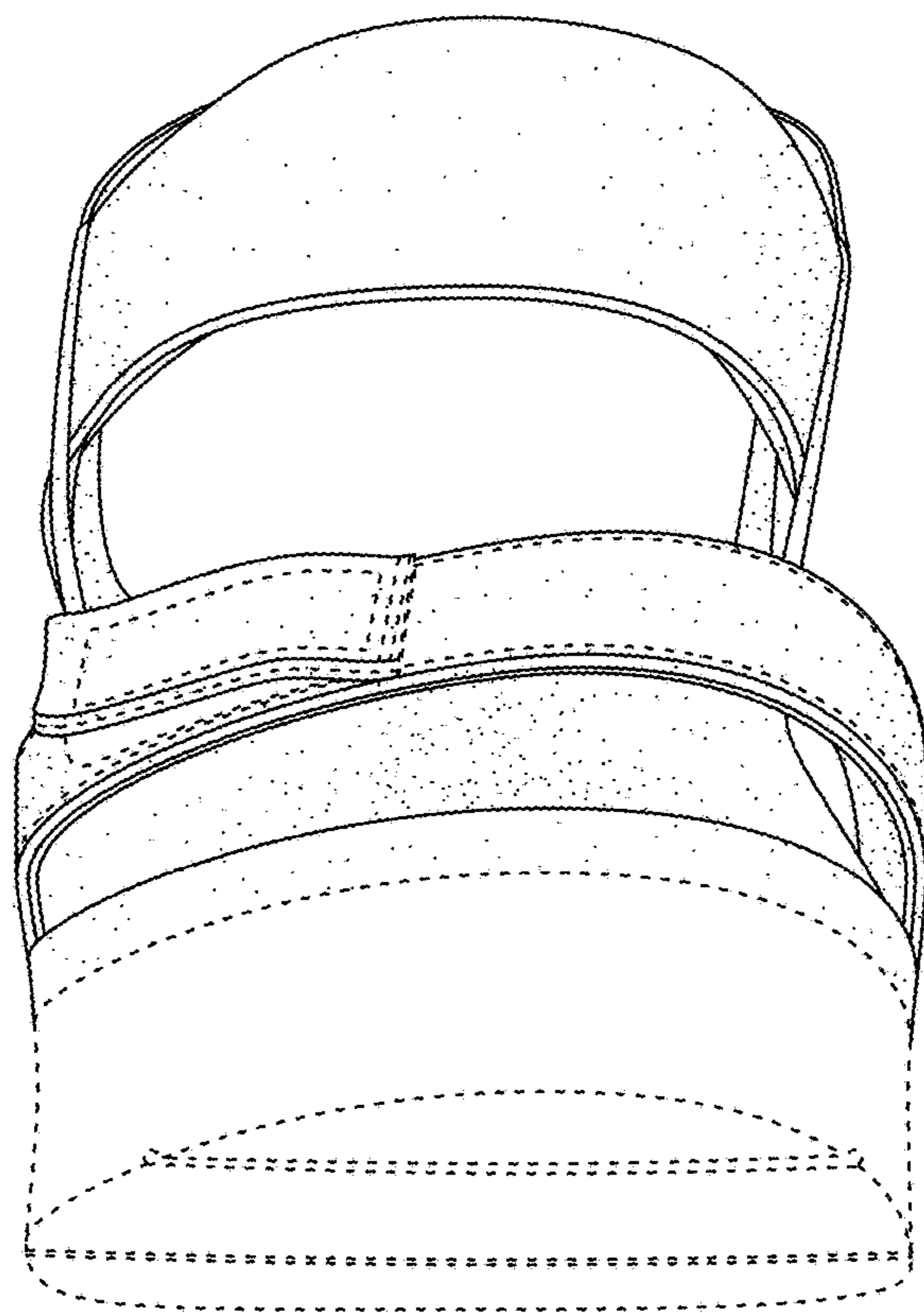


FIG. 2

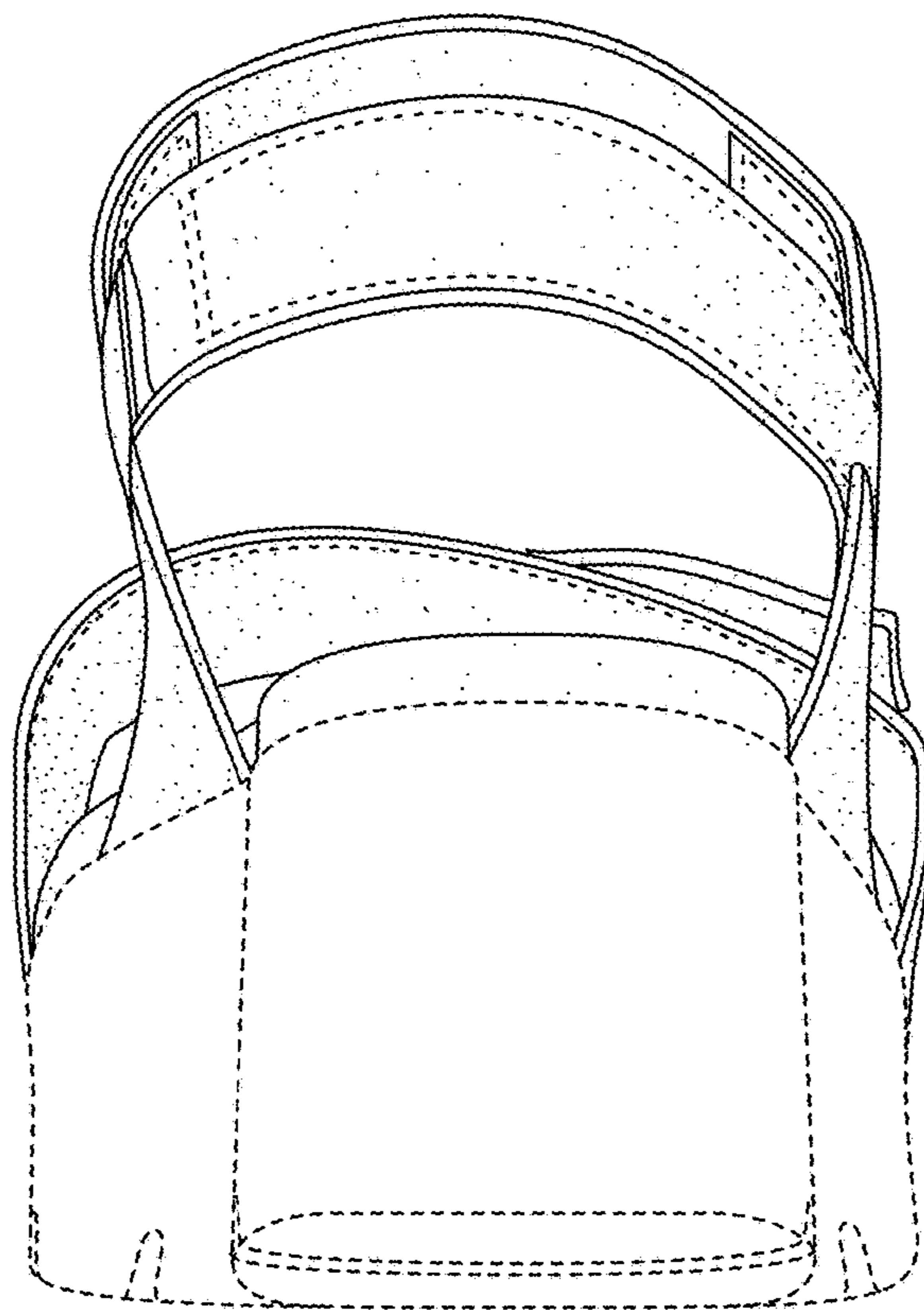


FIG. 3

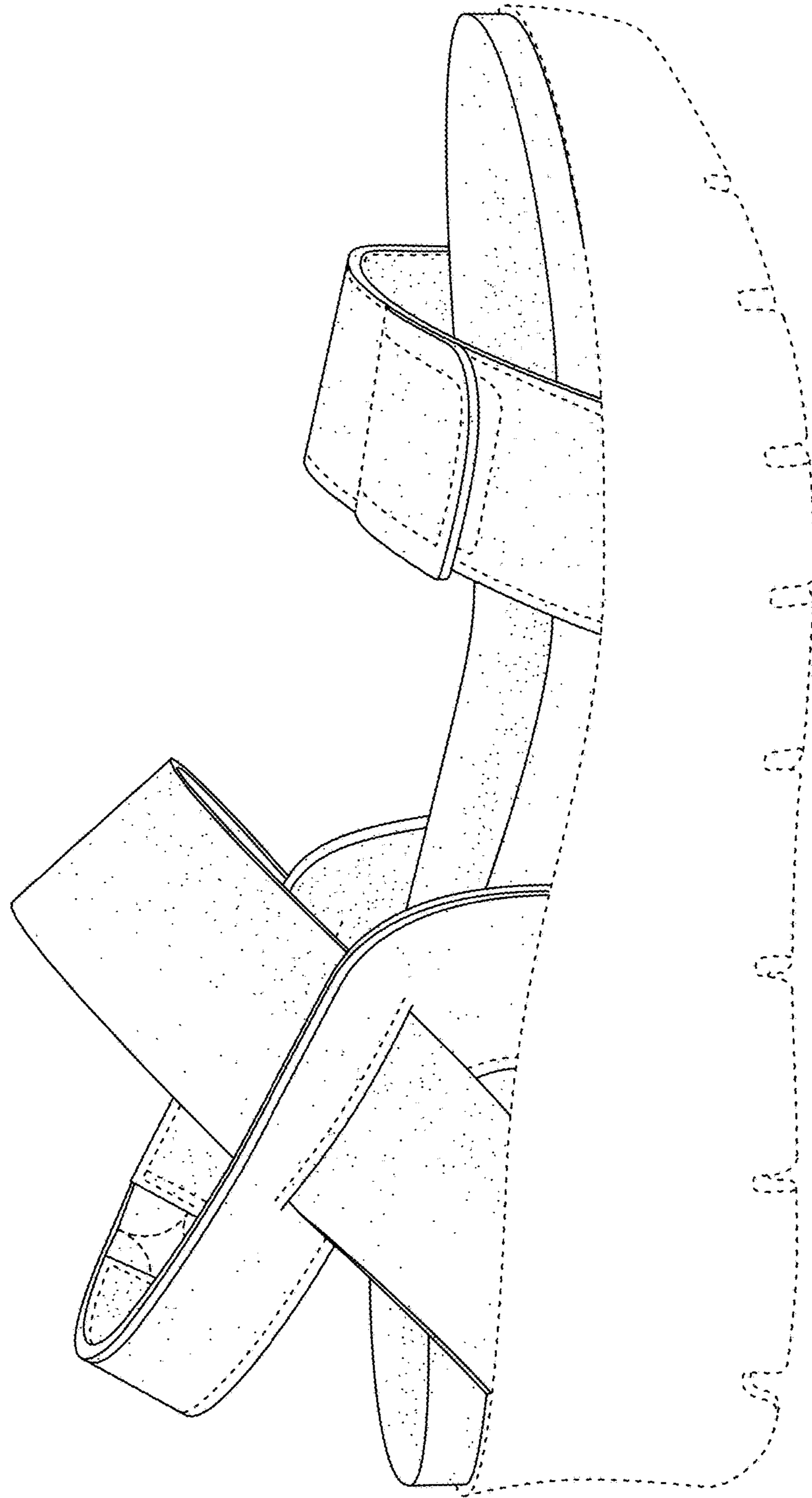


FIG. 4

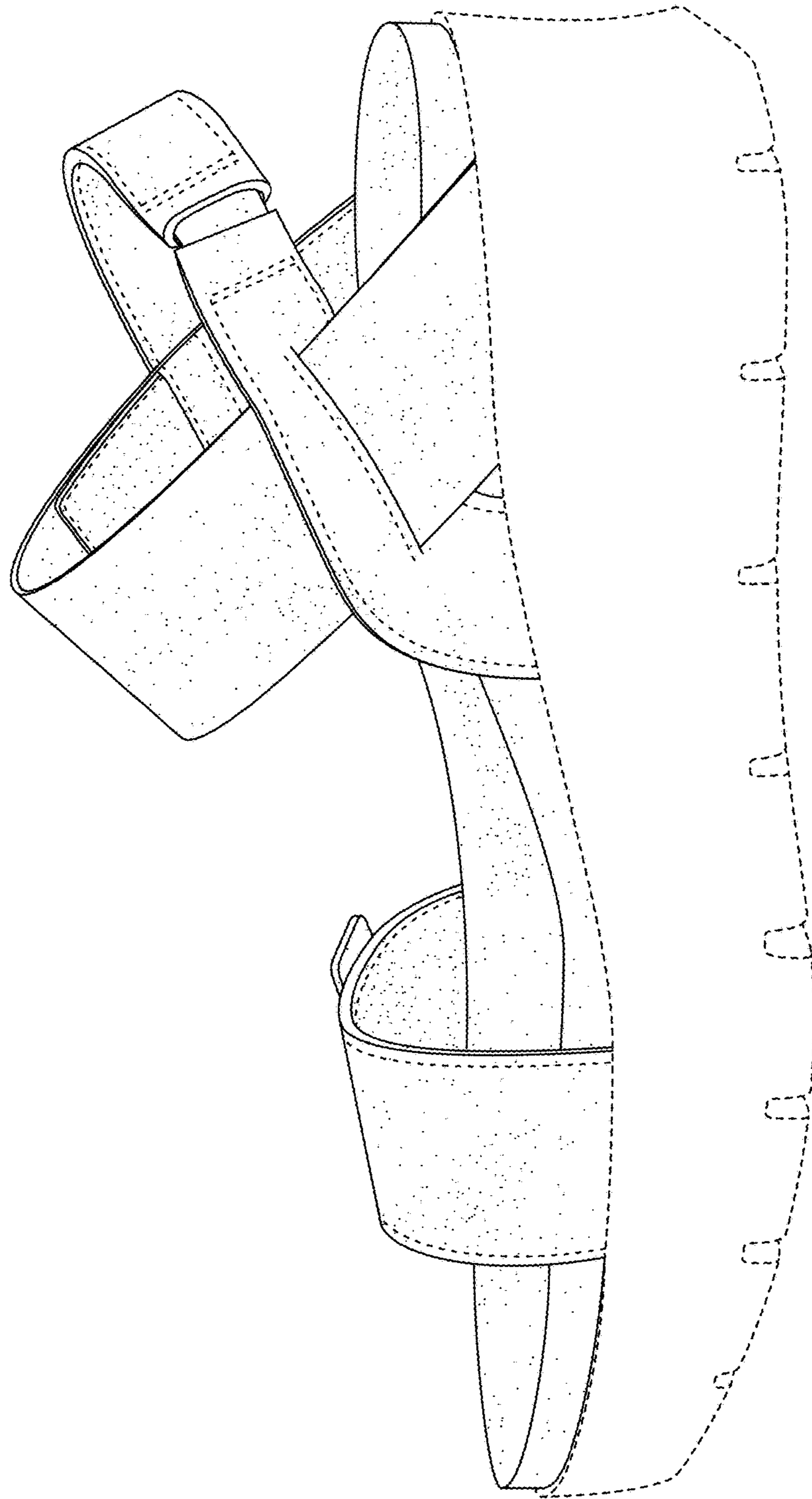


FIG. 5

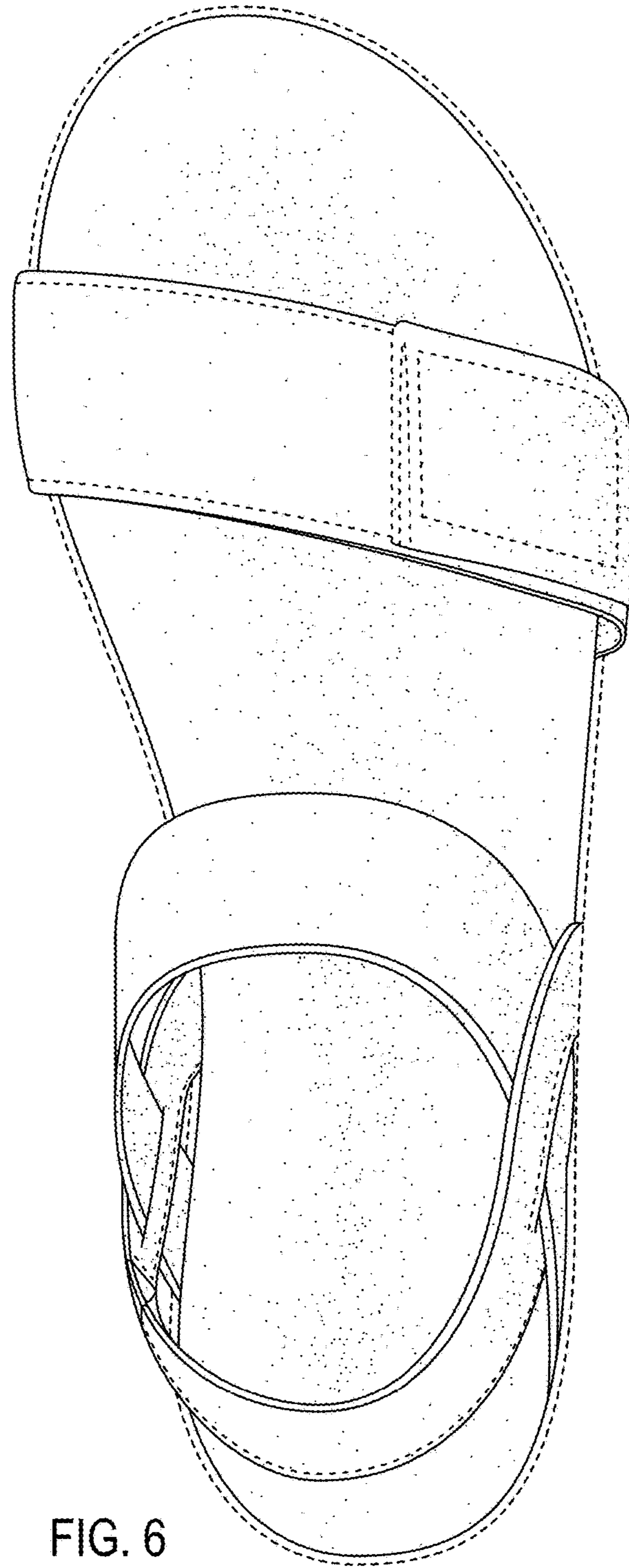


FIG. 6

