



US00D853677S

(12) **United States Design Patent**  
**Kendall**

(10) **Patent No.:** **US D853,677 S**  
(45) **Date of Patent:** **\*\* Jul. 9, 2019**

- (54) **BODY CONTAINER OF A CASKET**
- (71) Applicant: **Castek Environmental Products Inc,**  
Richmond Hill (CA)
- (72) Inventor: **Desmond Maurice Kendall,** Toronto  
(CA)
- (73) Assignee: **CASTEK ENVIRONMENTAL**  
**PRODUCTS INC.,** Richmond Hill  
(CA)
- (\*\*) Term: **15 Years**
- (21) Appl. No.: **29/619,497**
- (22) Filed: **Sep. 29, 2017**
- (51) **LOC (11) Cl.** ..... **03-01**
- (52) **U.S. Cl.**  
USPC ..... **D99/1**
- (58) **Field of Classification Search**  
USPC ..... D99/1, 2, 3, 4, 6, 7, 8, 9, 10, 11, 12, 13,  
D99/14, 15, 16  
CPC ..... A61G 19/00; A61G 21/00; A61G 17/00;  
A61G 17/001; A61G 17/002; A61G  
17/004; A61G 17/007; A61G 17/04;  
A61G 17/02; A61G 99/00; A62B 33/00  
See application file for complete search history.

- 4,951,367 A \* 8/1990 Wolfe ..... A61G 17/04  
27/19
- D316,513 S \* 4/1991 Wolff ..... D9/424
- 5,265,923 A \* 11/1993 Paddock ..... E05B 65/0057  
292/336.3
- D355,520 S \* 2/1995 Harrill ..... D99/1
- D356,420 S \* 3/1995 Etzel ..... D99/1
- 5,457,861 A \* 10/1995 Lloyd ..... A61G 17/02  
27/10
- D393,523 S \* 4/1998 Tambussi ..... D9/432
- 5,775,061 A \* 7/1998 Enneking ..... A61G 17/00  
53/445
- D420,192 S \* 2/2000 Cummings ..... D99/1
- D420,193 S \* 2/2000 Cummings ..... D99/1
- D468,072 S \* 12/2002 Weilein ..... D99/1
- D553,444 S \* 10/2007 de Groote ..... D7/602

(Continued)

*Primary Examiner* — Barbara Fox  
*Assistant Examiner* — Messina L Smith  
(74) *Attorney, Agent, or Firm* — Stephen E. Zweig

(57) **CLAIM**

The ornamental design for a body container of a casket, as shown and described.

**DESCRIPTION**

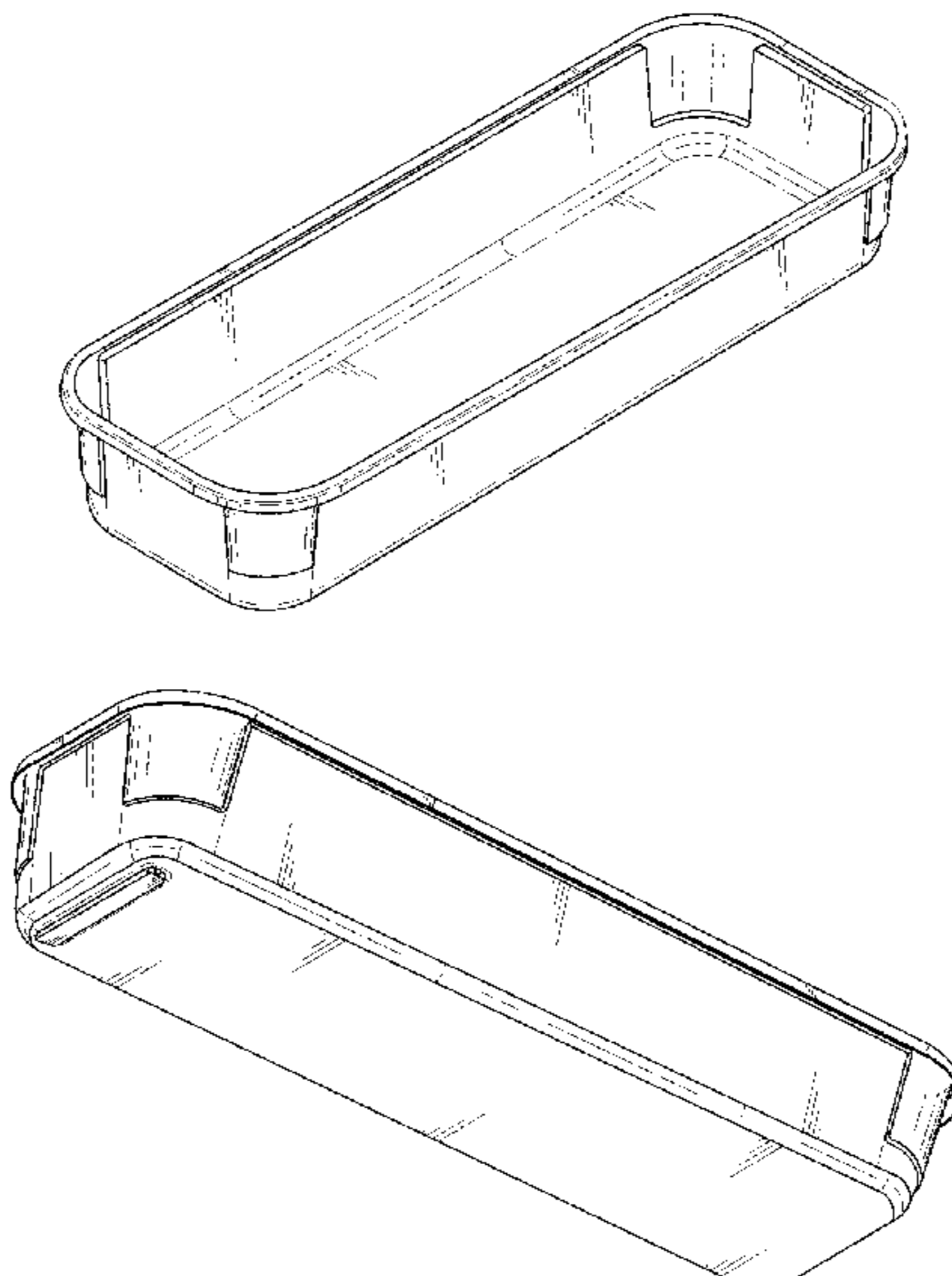
FIG. 1 is a top front perspective view of a body container of a casket showing my new design.  
FIG. 2 is a bottom front perspective view of the body container of a casket.  
FIG. 3 is a top plan view of the body container of a casket.  
FIG. 4 is a bottom plan view of the body container of a casket.  
FIG. 5 is a left side elevation view of the body container of a casket.  
FIG. 6 is a right side elevation view of the body container of a casket; and,  
FIG. 7 is a rear side elevation view of the body container of a casket; the front side elevation view is a mirror image.

**1 Claim, 6 Drawing Sheets**

(56) **References Cited**

U.S. PATENT DOCUMENTS

- 1,381,908 A \* 6/1921 Downer ..... A61G 17/00  
27/7
- 2,508,319 A \* 5/1950 Westenhaver ..... A61G 17/00  
27/35
- D208,470 S \* 9/1967 Madej ..... D99/1
- 3,781,948 A \* 1/1974 Pitt ..... A61G 17/02  
27/17
- 4,949,439 A \* 8/1990 Semon ..... A61G 17/04  
27/11



(56)

**References Cited**

U.S. PATENT DOCUMENTS

7,648,022	B1 *	1/2010	Freeauf .....	B44D 3/126 206/15.3
D630,394	S *	1/2011	Bergman .....	D32/54
D672,204	S *	12/2012	Stamper .....	D7/602
D766,715	S *	9/2016	Buck .....	D9/432
D795,015	S *	8/2017	Segal .....	D7/542
D806,534	S *	1/2018	Chou .....	D9/425
D814,293	S *	4/2018	Tyberghein .....	D9/425
2003/0010778	A1 *	1/2003	Kim .....	B65D 77/225 219/734
2006/0003119	A1 *	1/2006	Aiba .....	B65D 65/466 428/34.2
2009/0050632	A1 *	2/2009	Martin .....	B44D 3/126 220/570
2012/0042488	A1 *	2/2012	Hsu .....	A61G 17/0073 27/4
2015/0165816	A1 *	6/2015	Bar Shlomo .....	B44D 3/126 220/570
2015/0210442	A1 *	7/2015	Frankel .....	B65D 43/021 220/315
2017/0101236	A1 *	4/2017	Buck .....	A47G 21/18
2018/0000678	A1 *	1/2018	Davis .....	A61G 17/001
2019/0023063	A1 *	1/2019	Andresen .....	B44D 3/126

\* cited by examiner

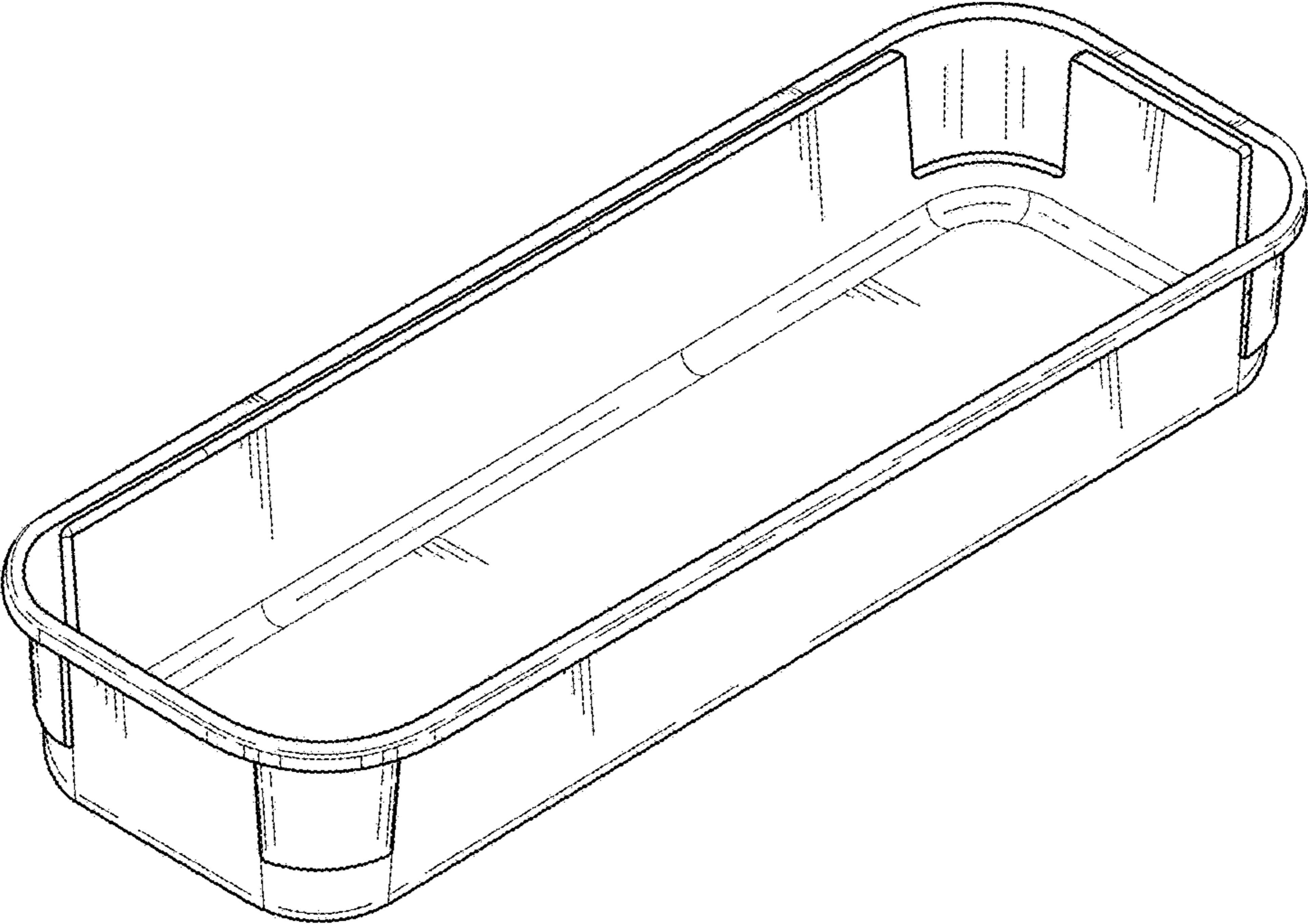


FIG. 1

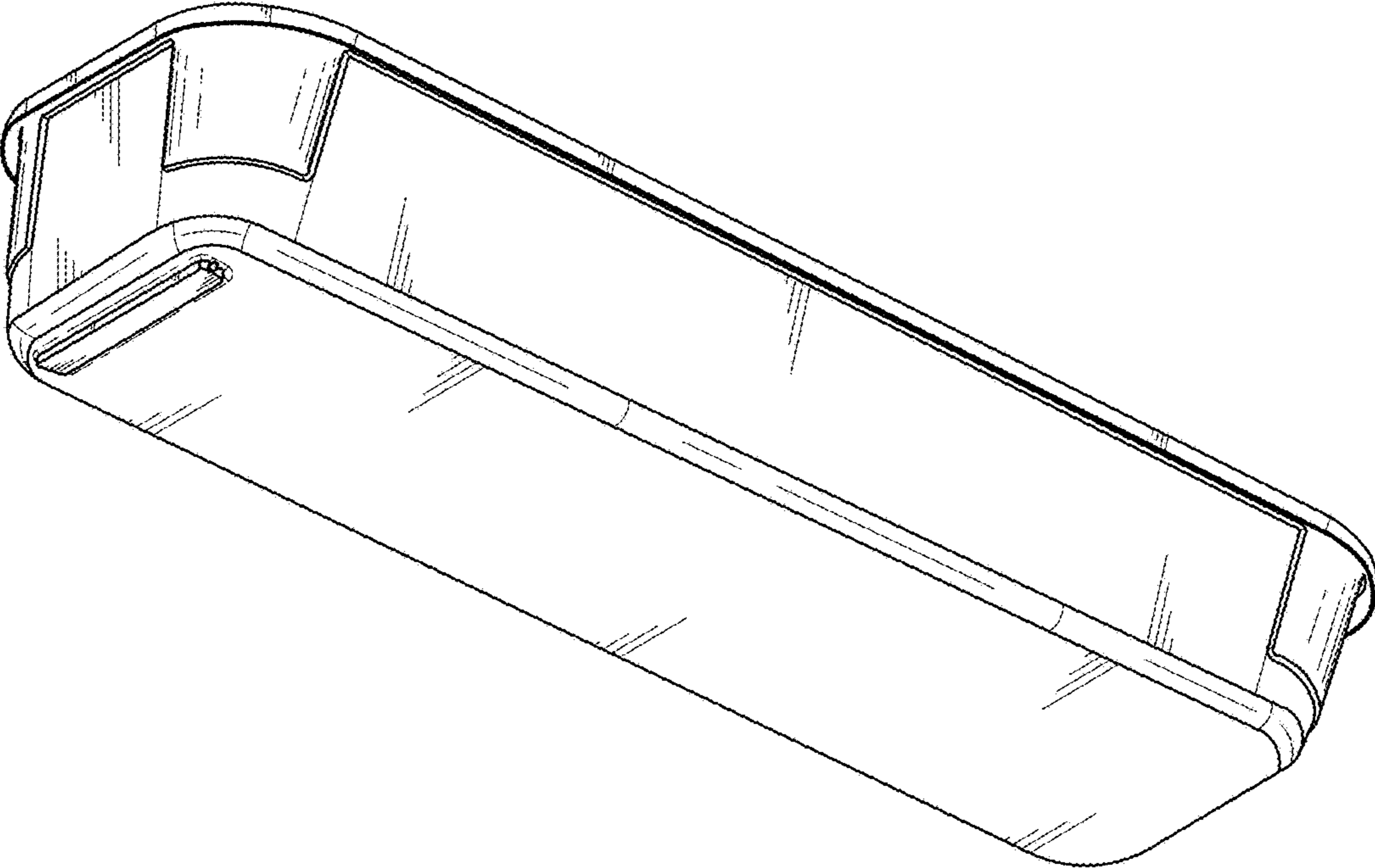


FIG. 2

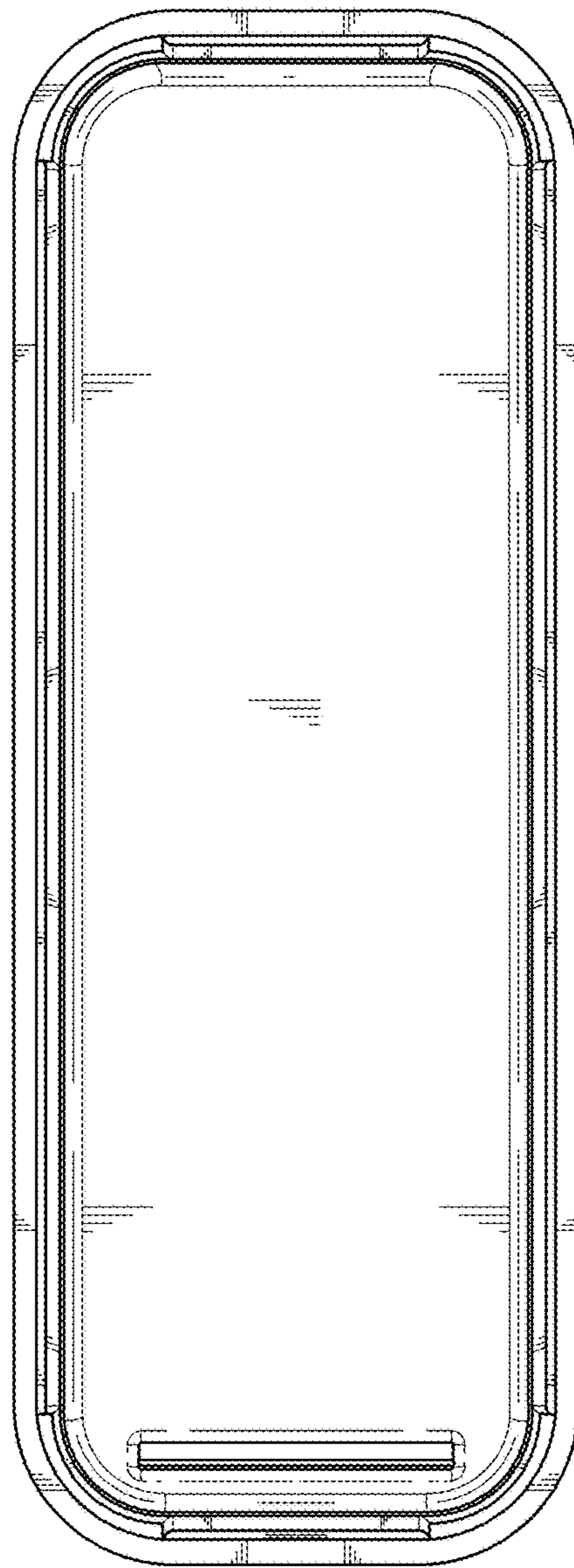


FIG. 3

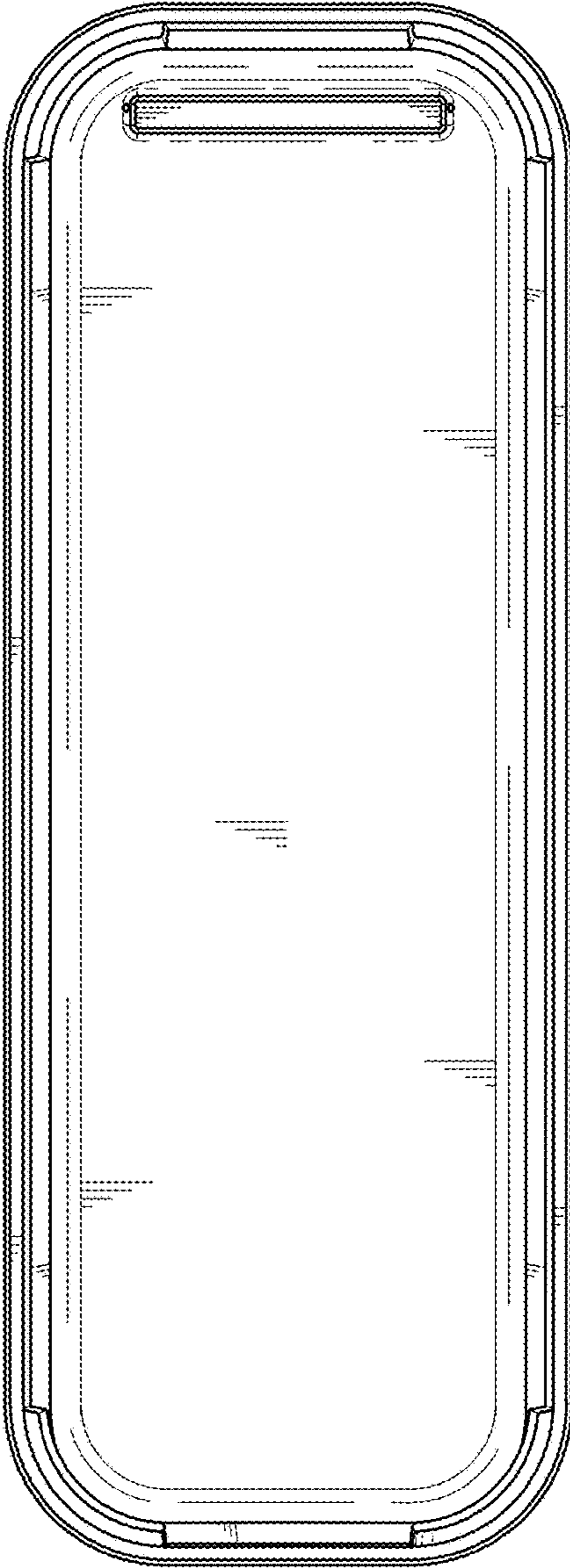


FIG. 4

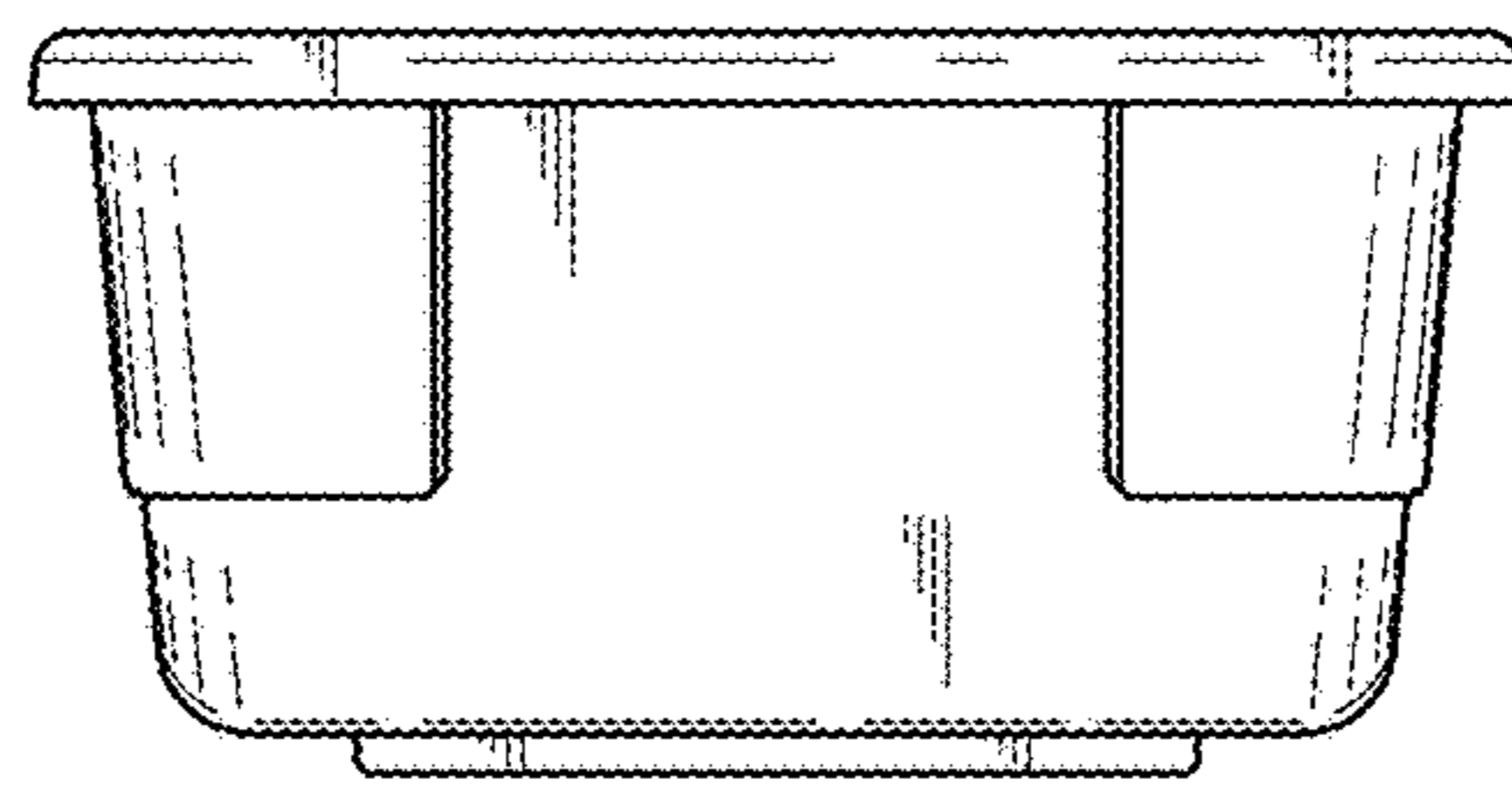


FIG. 5

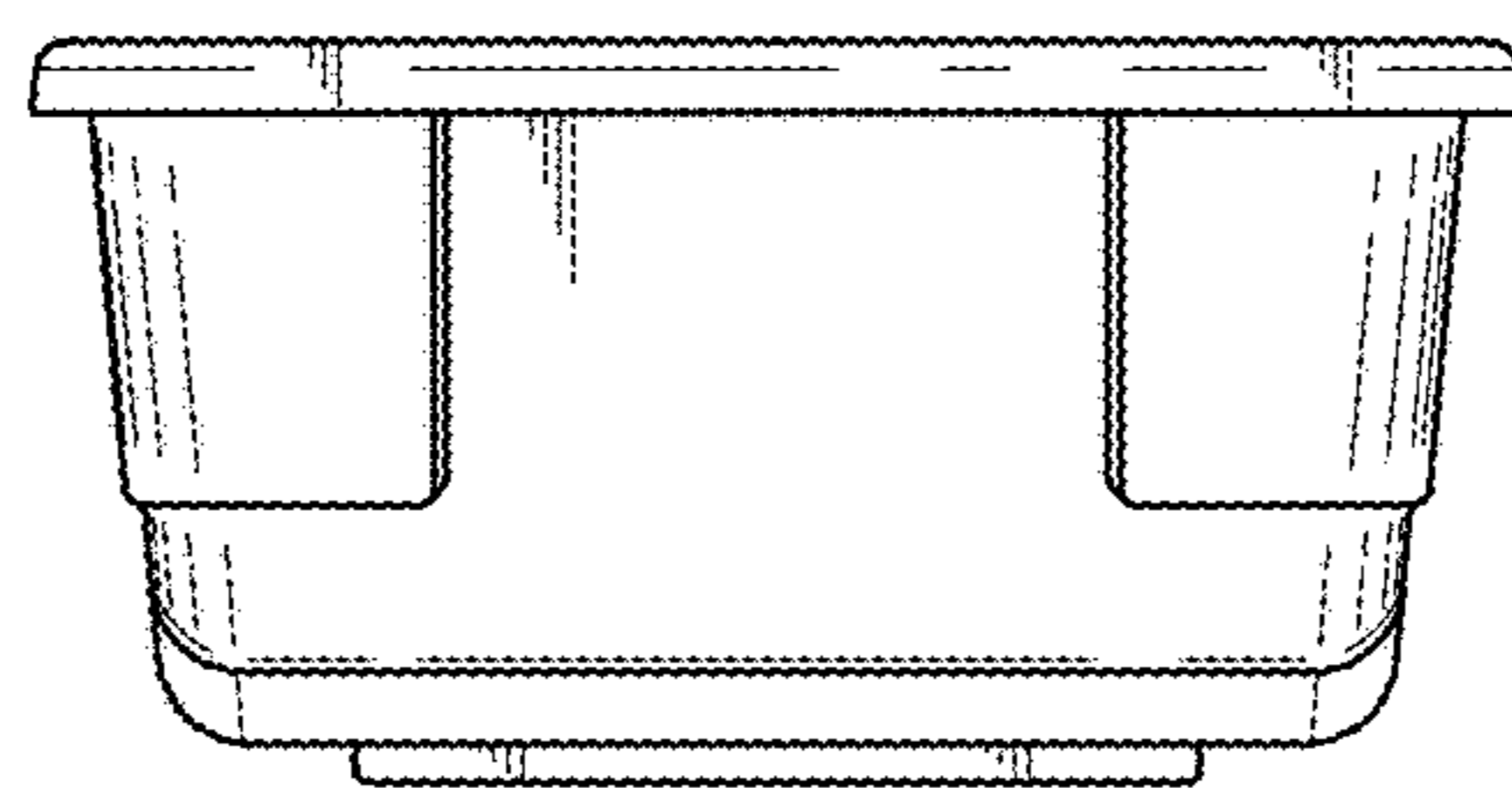


FIG. 6

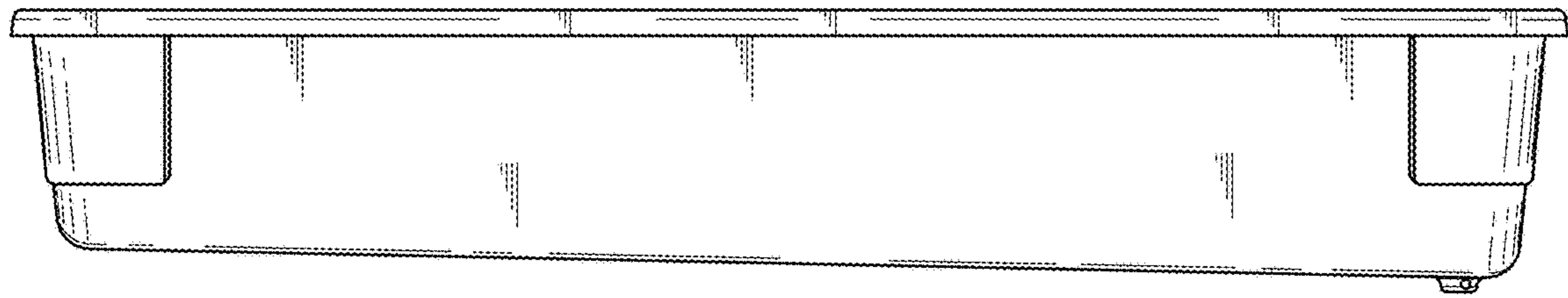


FIG. 7