



US00D853674S

(12) **United States Design Patent** (10) **Patent No.:** **US D853,674 S**
Gomez et al. (45) **Date of Patent:** **** Jul. 9, 2019**

(54) **CONTAINER FOR SELECTIVE COLLECTION OF WASTE**
(71) Applicant: **GREEN CREATIVE**, Sucy-En-Brie (FR)
(72) Inventors: **Rémi Gomez**, Sucy-En-Brie (FR); **Lucile Noury**, Paris (FR)

D465,893 S * 11/2002 Lin D34/9
D526,456 S * 8/2006 Lin D34/9
D526,457 S * 8/2006 Lin D34/9
D527,155 S * 8/2006 Fankhauser D34/7
D529,677 S * 10/2006 Lin D34/7
D672,109 S * 12/2012 Moore D34/6
D733,383 S * 6/2015 Lloyd D34/7
D793,022 S * 7/2017 Liao D34/7

(**) Term: **15 Years**
(21) Appl. No.: **35/503,469**
(22) Filed: **Jul. 13, 2017**

(80) **Hague Agreement Data**
Int. Filing Date: **Jul. 13, 2017**
Int. Reg. No.: **DM/097113**
Int. Reg. Date: **Jul. 13, 2017**
Int. Reg. Pub. Date: **Aug. 11, 2017**

(51) **LOC (11) Cl.** **09-09**
(52) **U.S. Cl.**
USPC **D34/6**

(58) **Field of Classification Search**
USPC D34/6, 7, 8, 9
CPC B65F 1/004; B65F 1/0033; B65F 1/006;
B65F 1/04; B65F 1/00
See application file for complete search history.

(56) **References Cited**

U.S. PATENT DOCUMENTS

D334,805 S * 4/1993 Ivey D24/131
D465,630 S * 11/2002 Lin D34/9

OTHER PUBLICATIONS

R3D3 Connected Sorting Robot brochure. Undated, 8 pages. Found online Jun. 26, 2018 at <http://www.green-creative.com/wp-content/uploads/2018/04/Plaqueette-R3D3-WEB-GC-EN.pdf> (Year: 2018).*
R3D3 Pre-Series Now Ramping Up! online article. Dated Sep. 19, 2016. 8 pages. Found online Jun. 26, 2018 at <http://www.green-creative.com/en/r3d3-steps-into-the-limelight> (Year: 2016).*

* cited by examiner

Primary Examiner — Robert M. Spear

(57) **CLAIM**

The ornamental design for a container for selective collection of waste, as shown and described.

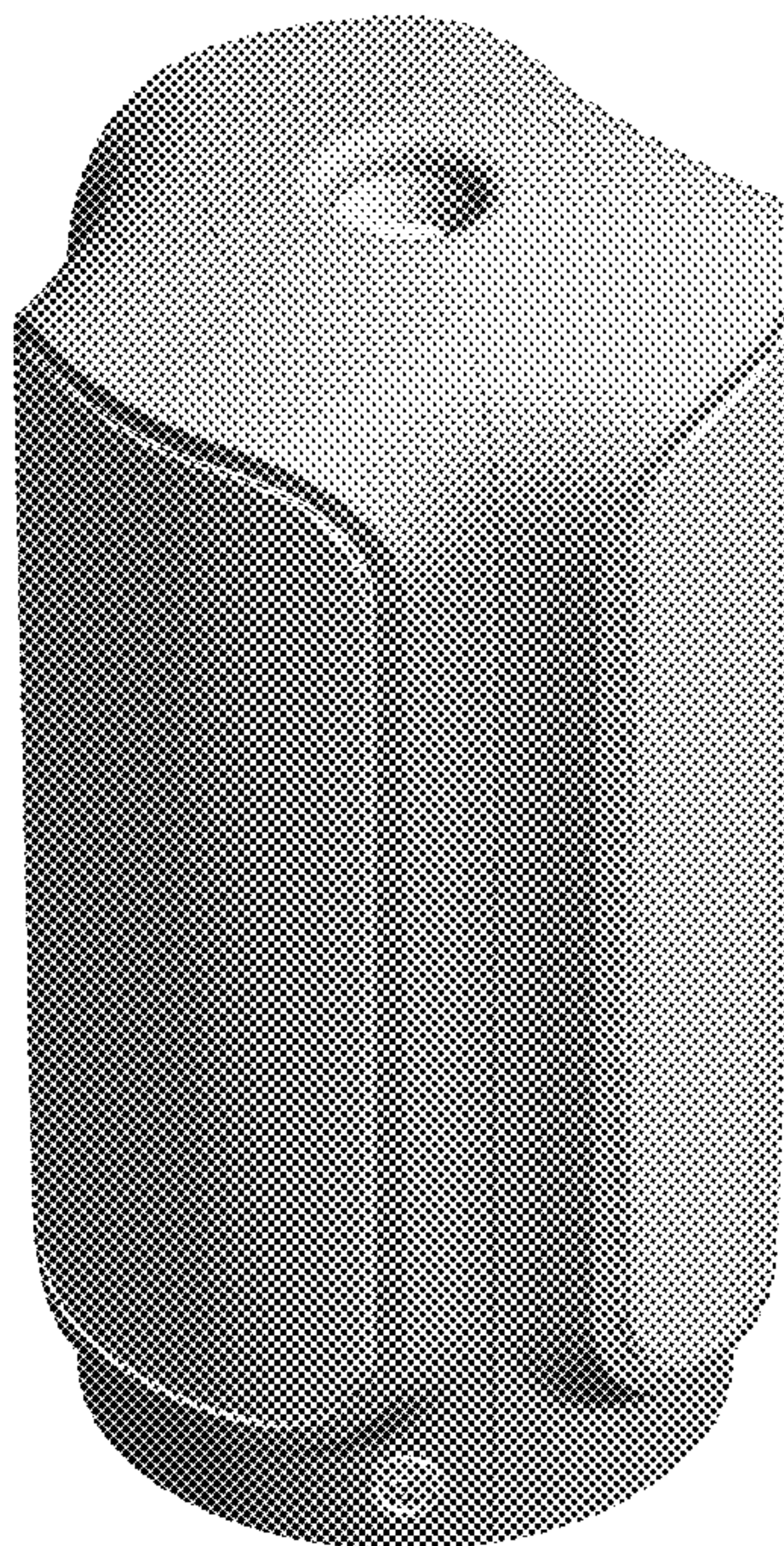
DESCRIPTION

2. Container for selective collection of waste

- 2.1 : Perspective
- 2.2 : Front
- 2.3 : Back
- 2.4 : Left
- 2.5 : Right
- 2.6 : Top
- 2.7 : Bottom.

No color protection is requested.

1 Claim, 7 Drawing Sheets



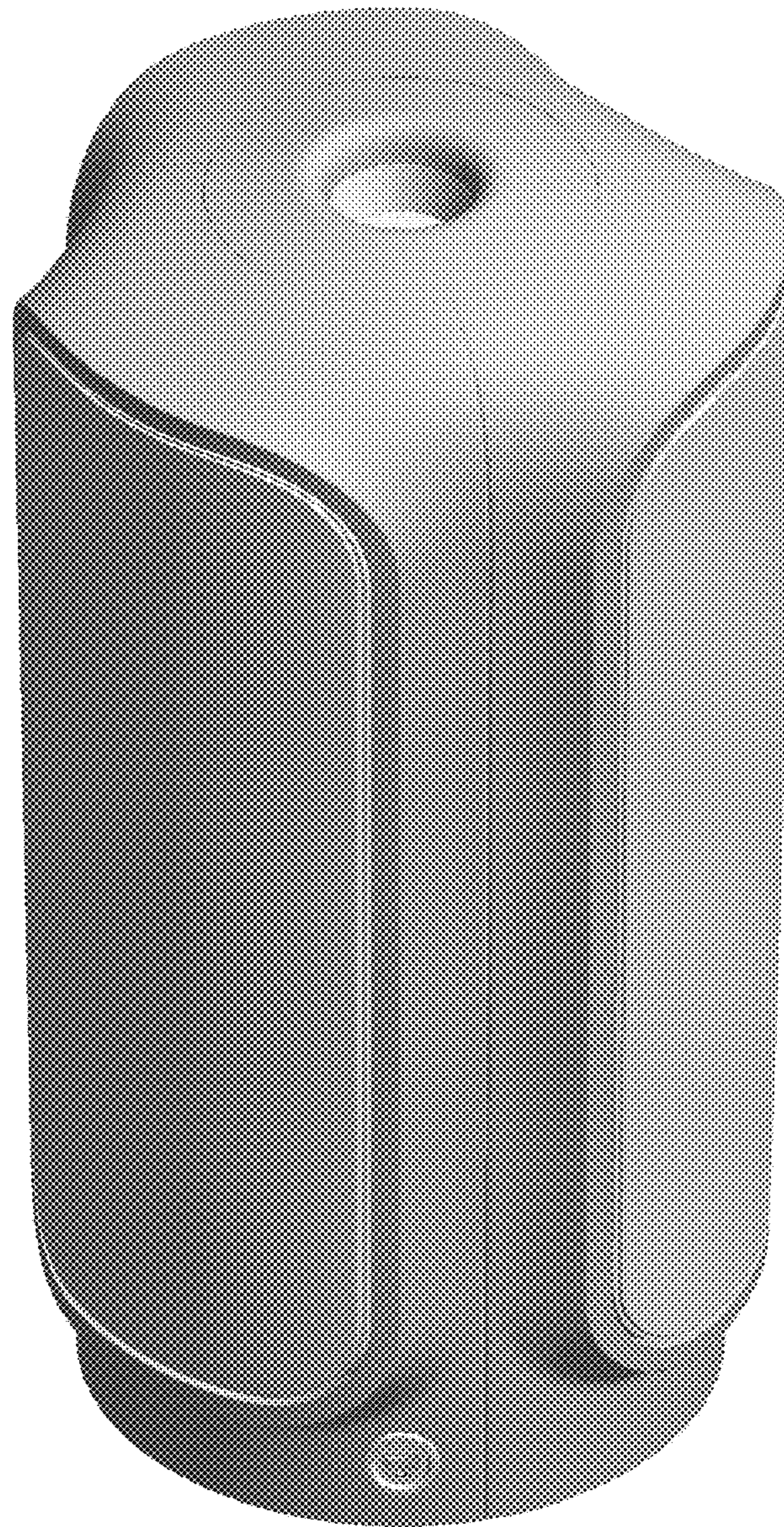


FIG. 2.1

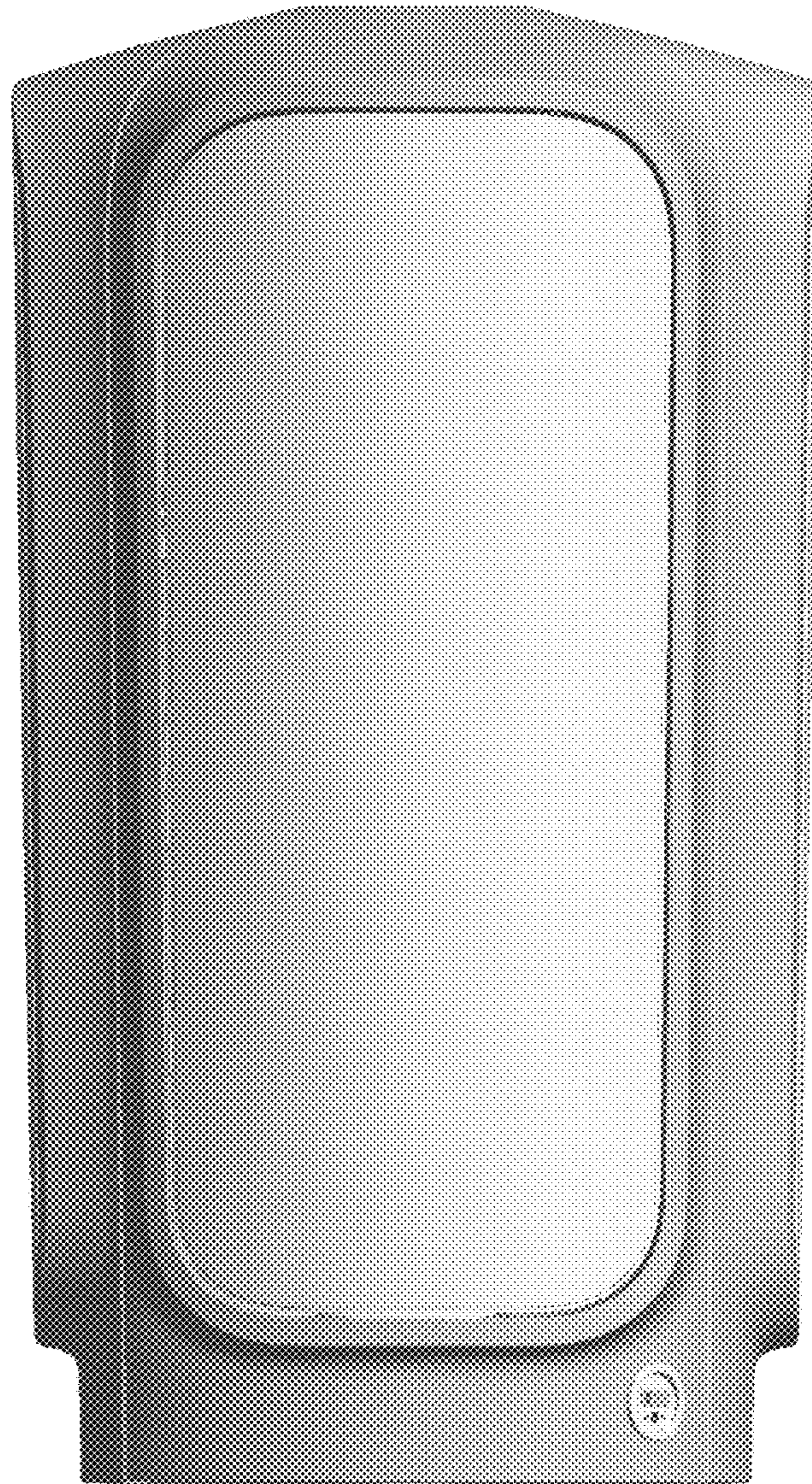


FIG. 2.2

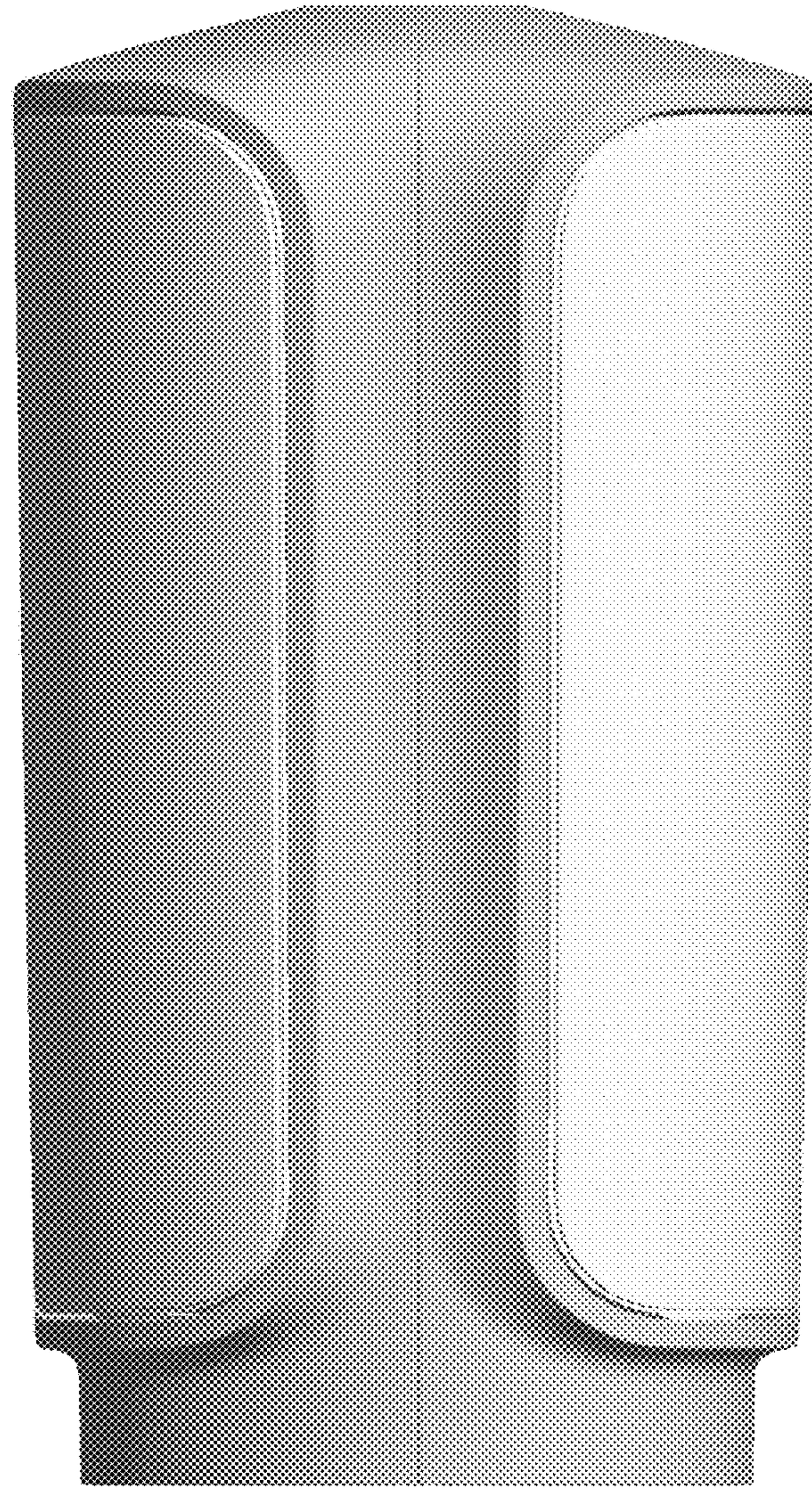


FIG. 2.3

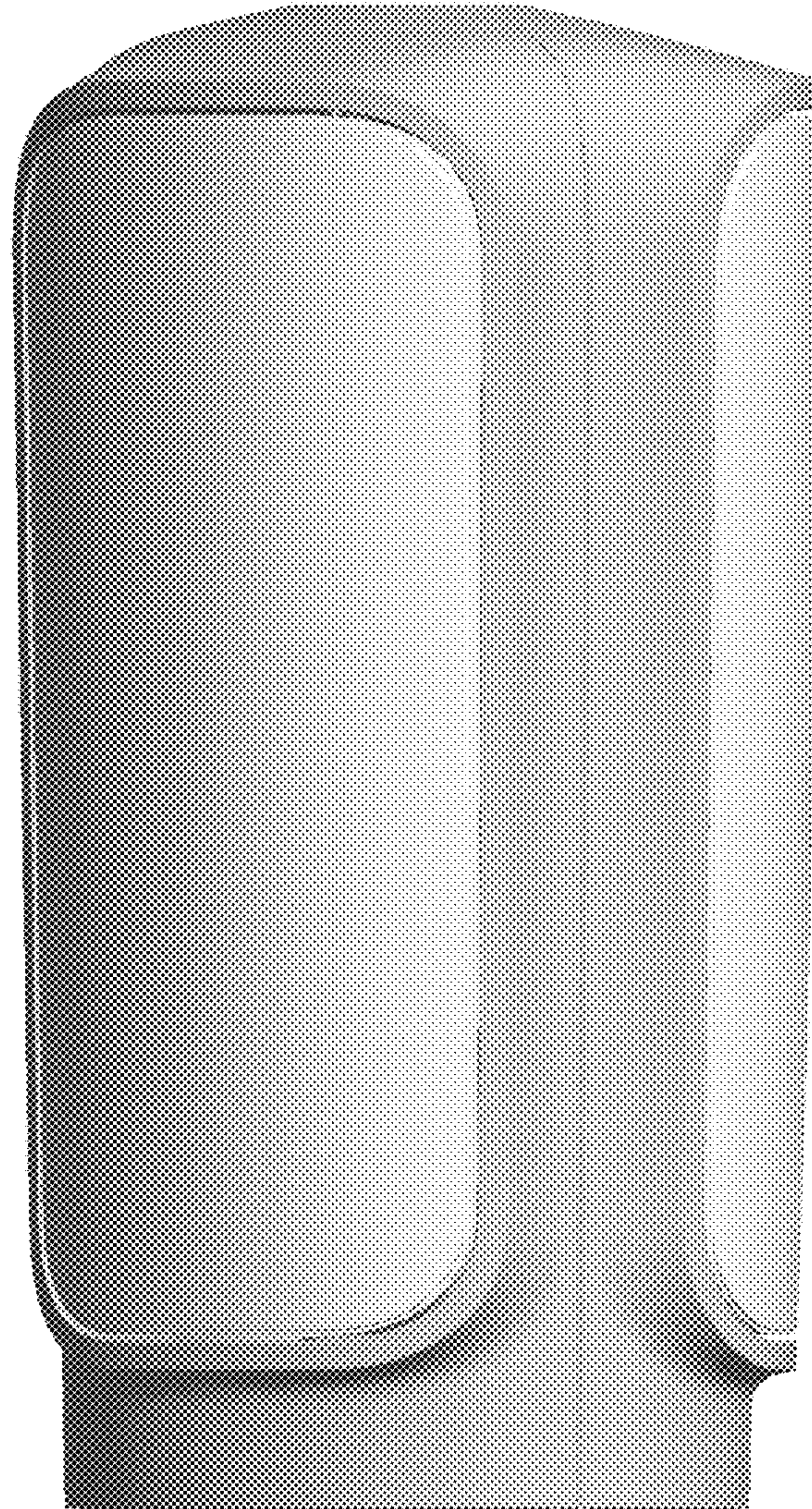


FIG. 2.4

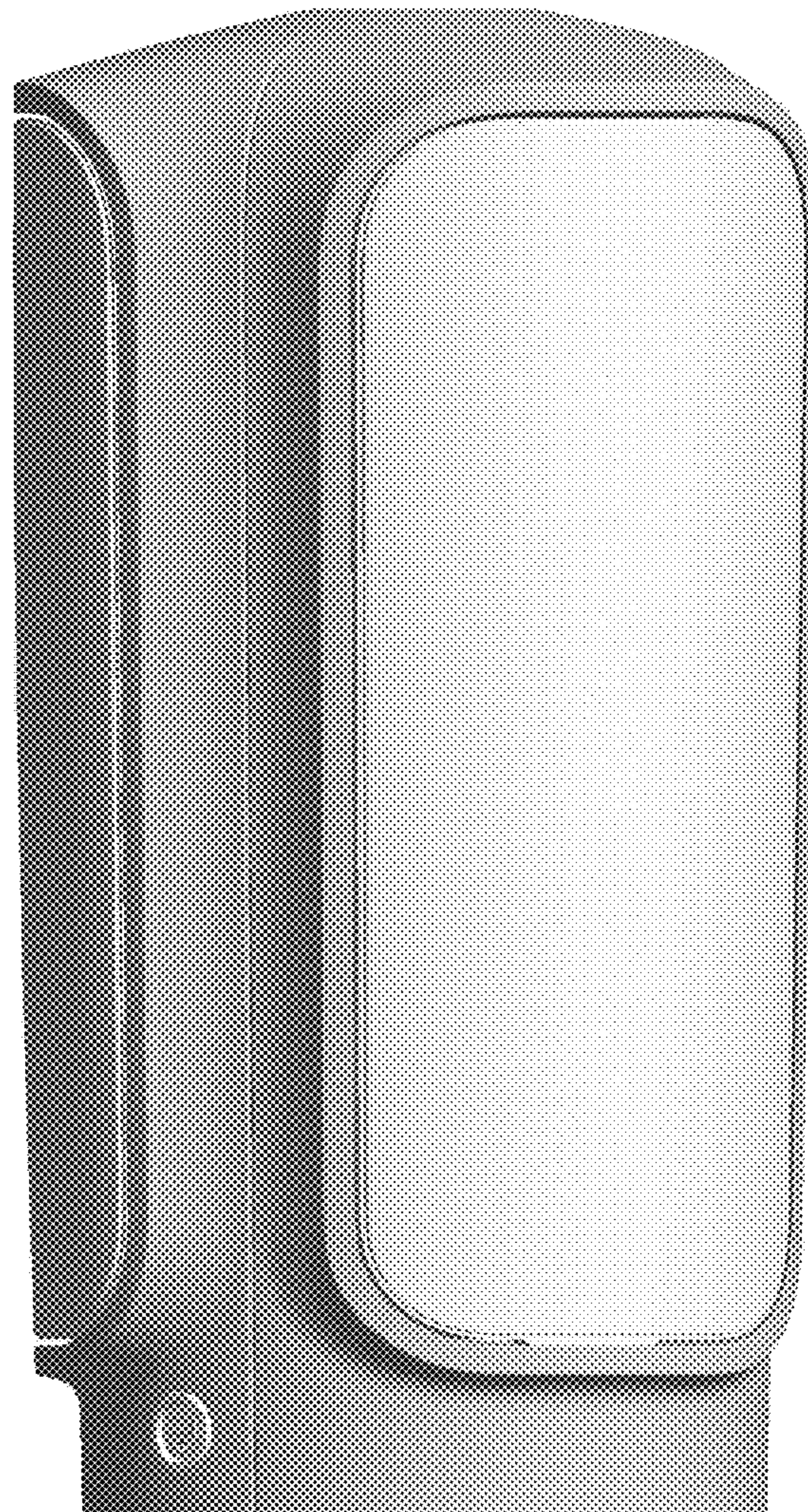


FIG. 2.5

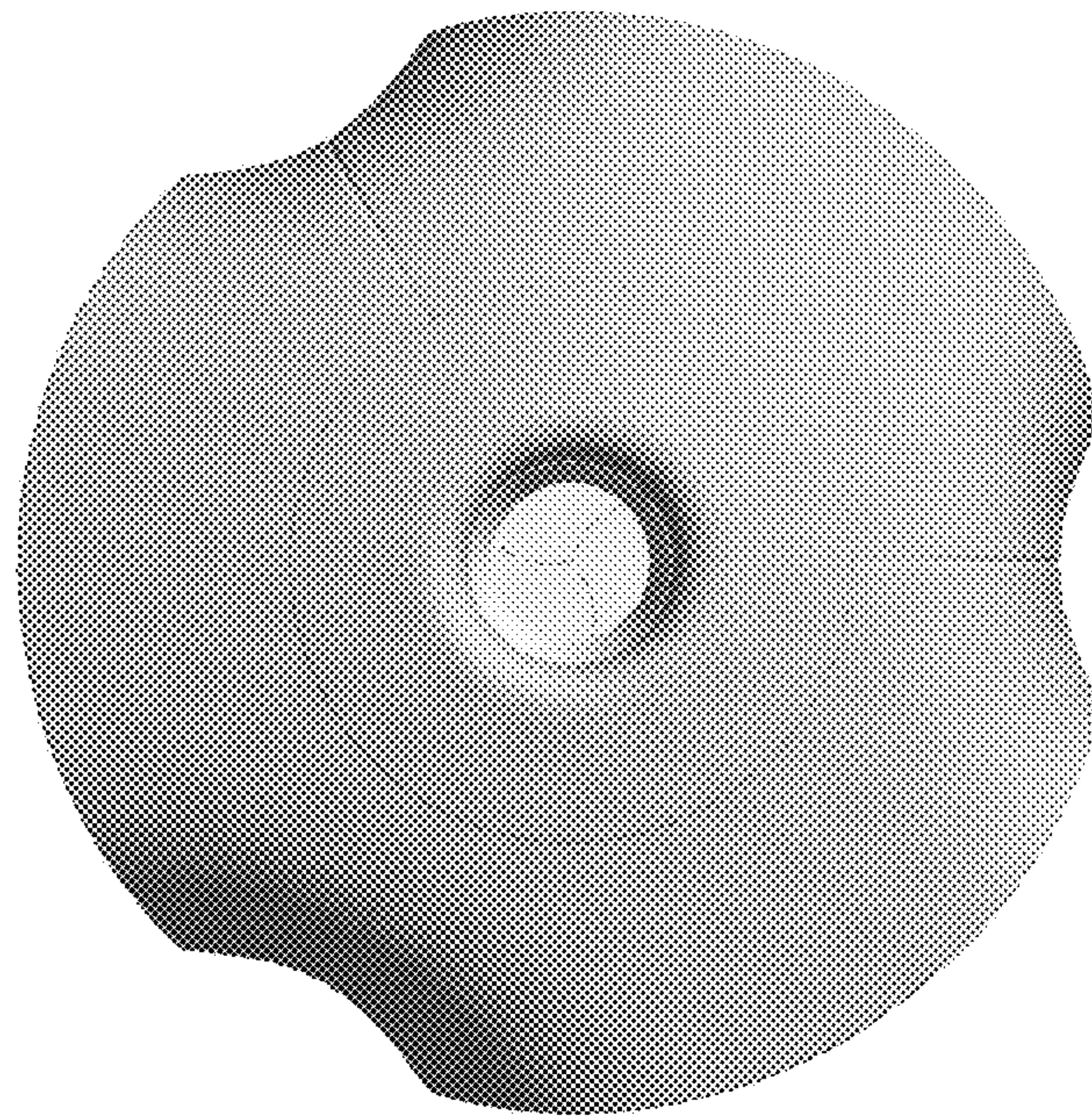


FIG. 2.6

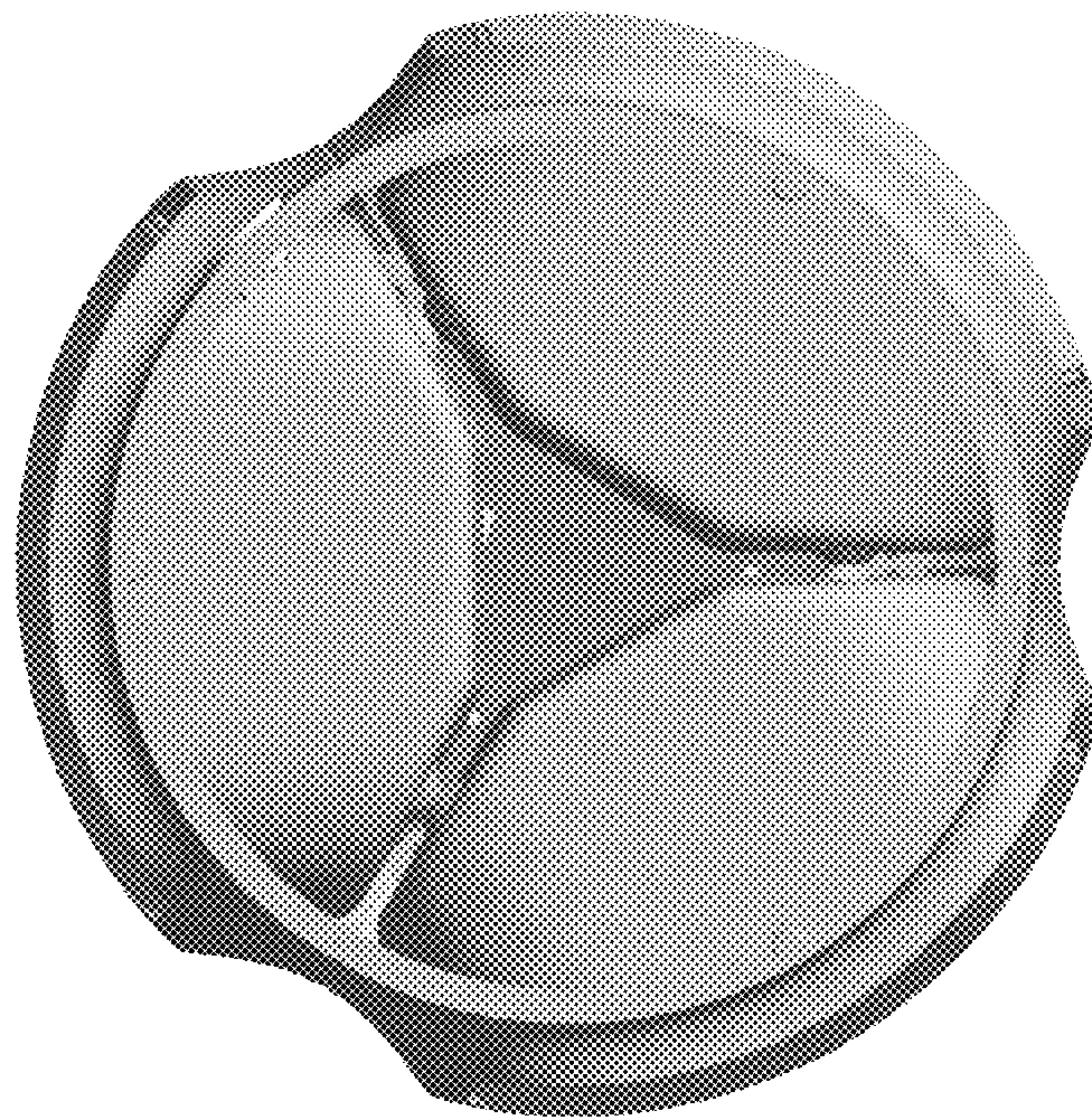


FIG. 2.7