



US00D853673S

(12) **United States Design Patent** (10) **Patent No.:** **US D853,673 S**
Aguiar (45) **Date of Patent:** **** Jul. 9, 2019**

(54) **DUSTPAN**

(71) Applicant: **The Libman Company**, Arcola, IL
(US)

(72) Inventor: **Carlos Aguiar**, Burgo (PT)

(73) Assignee: **The Libman Company**, Arcola, IL
(US)

(**) Term: **15 Years**

(21) Appl. No.: **29/616,106**

(22) Filed: **Sep. 1, 2017**

(51) **LOC (11) Cl.** **07-05**

(52) **U.S. Cl.**
USPC **D32/74**

(58) **Field of Classification Search**
USPC D32/74, 41; D30/162; D7/691, 688;
D4/116; 15/257.5, 257.3, 257.2, 257.1;
134/6
CPC A47L 13/52; A47L 13/51; A46B 15/00;
A46B 15/0097; A46B 15/0095; A46B
17/04; A46B 5/00; A46B 2200/302
See application file for complete search history.

(56) **References Cited**

U.S. PATENT DOCUMENTS

D398,115 S * 9/1998 Footer D32/74
5,826,297 A * 10/1998 Footer A47L 13/52
15/257.2
D493,265 S 7/2004 Libman et al.
D509,035 S 8/2005 Libman et al.
D599,073 S * 8/2009 Caleca D32/74
D601,769 S * 10/2009 Cox D32/74
D636,139 S * 4/2011 Jones D32/74
D673,340 S * 12/2012 Dobson III D32/74
D709,138 S * 7/2014 Bradley A46B 15/0055
D21/483
D784,646 S * 4/2017 Baker D32/74
9,655,492 B2 * 5/2017 Schiavo A47L 13/52
D814,732 S * 4/2018 Libman D32/74

D819,913 S * 6/2018 Beyda D32/74
D824,629 S * 7/2018 Libman D32/74
D824,630 S 7/2018 Libman et al.

(Continued)

FOREIGN PATENT DOCUMENTS

AU 337294 6/2011
CN 201130080092.6 11/2011
NZ 414800 6/2011

OTHER PUBLICATIONS

“Quickie 495 Jumbo Debris Dust Pan with Handle”, publication date unknown, but prior to the filing date of the present application, retrieved from https://express.google.com/product/2964043098749903602_8930007288222773067_1183006?mall=WashingtonDC&directCheckout=1 &utm_source=bing_shopping &utm_medium=product_ads&utm_campaign=1003833%20%7C%20GSX%20%7C%20DR%20%7C%20ESS01%20%7C%20NA%20%7C%20US%20%7C%20en%20.

Primary Examiner — Austin Murphy
(74) *Attorney, Agent, or Firm* — Banner & Witcoff, Ltd.

(57) **CLAIM**

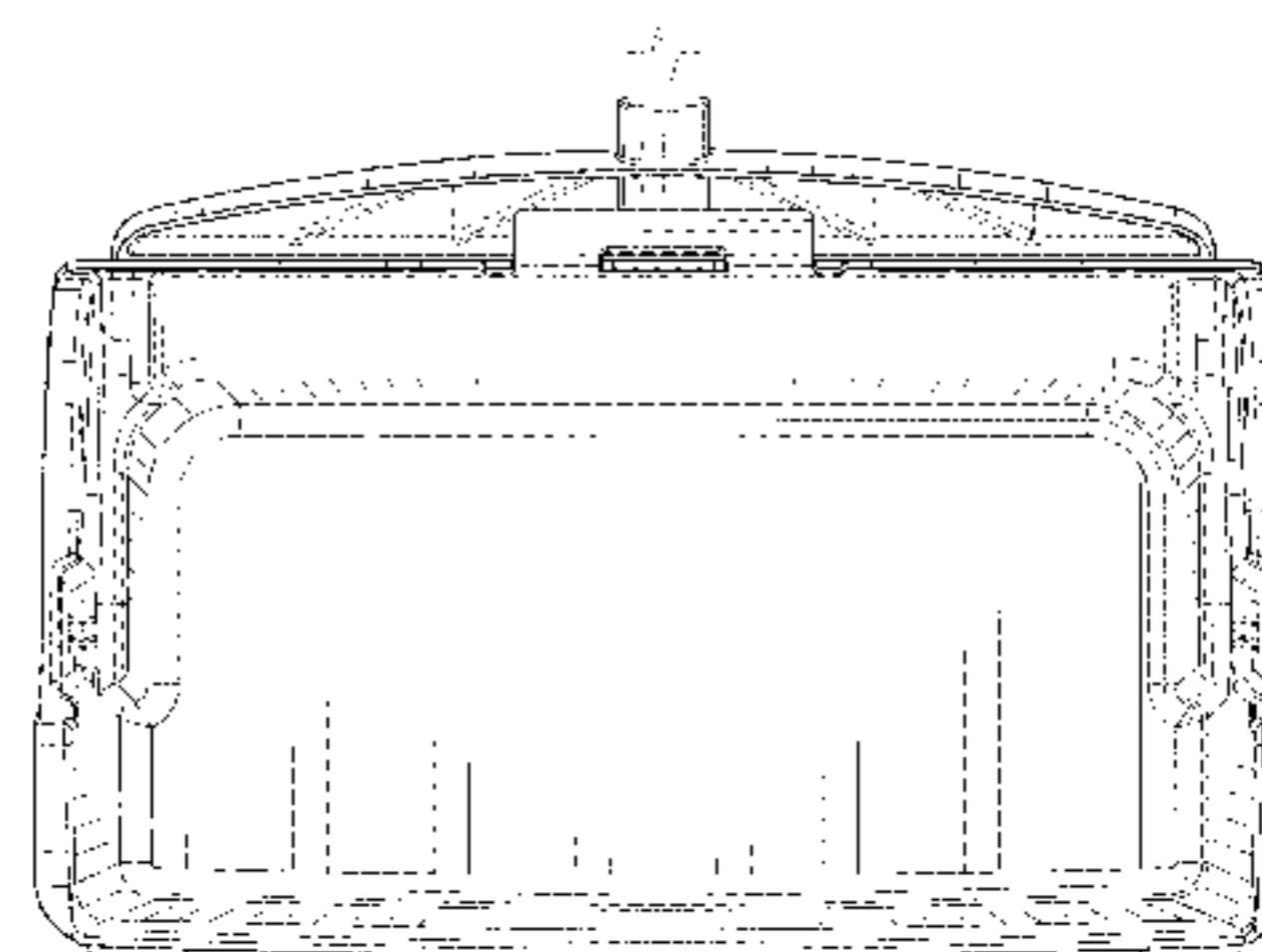
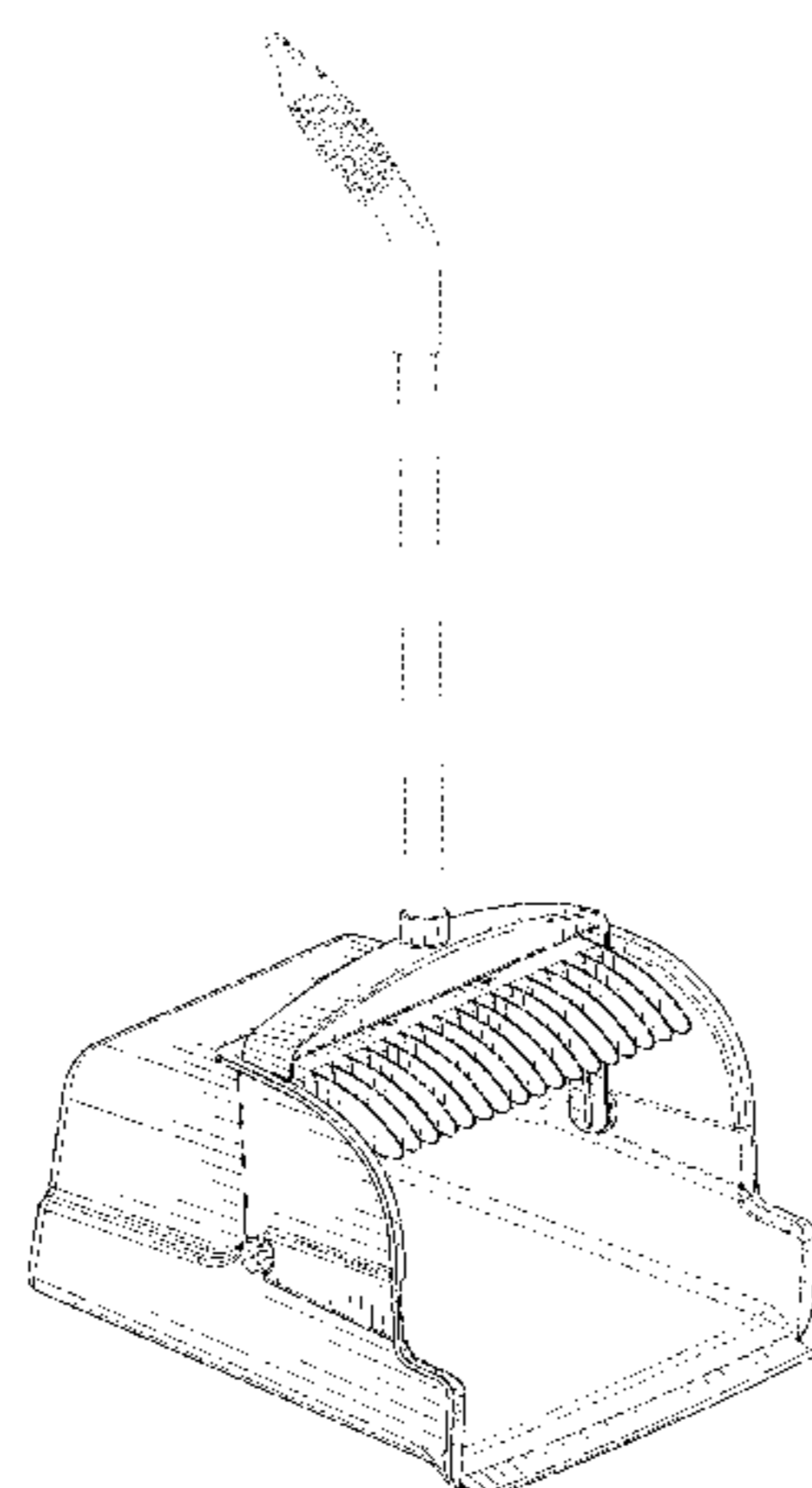
The ornamental design for a dustpan, as shown and described.

DESCRIPTION

FIG. 1 is a top, front, left perspective view of a dustpan showing my new design;
FIG. 2 is a top, rear, left perspective thereof;
FIG. 3 is a front view thereof;
FIG. 4 is a rear view thereof;
FIG. 5 is a left side view thereof;
FIG. 6 is a right side view thereof;
FIG. 7 is a top view thereof; and,
FIG. 8 is a bottom view thereof.

The uneven-length broken lines represent boundaries of the claimed design and form no part of the claimed design. The

(Continued)



even-length broken lines showing the remainder of the dustpan represent subject matter forming no part of the claimed design.

1 Claim, 8 Drawing Sheets

(56) **References Cited**

U.S. PATENT DOCUMENTS

2002/0038957	A1 *	4/2002	Harrison	E01H 1/008 294/1.4
2005/0071943	A1 *	4/2005	Liu	A47L 13/52 15/257.2
2007/0163069	A1 *	7/2007	Sampaio	A47L 13/52 15/257.7
2009/0223007	A1 *	9/2009	Li	A46B 5/0095 15/105
2013/0152331	A1 *	6/2013	Ward	A47L 13/52 15/257.1

* cited by examiner

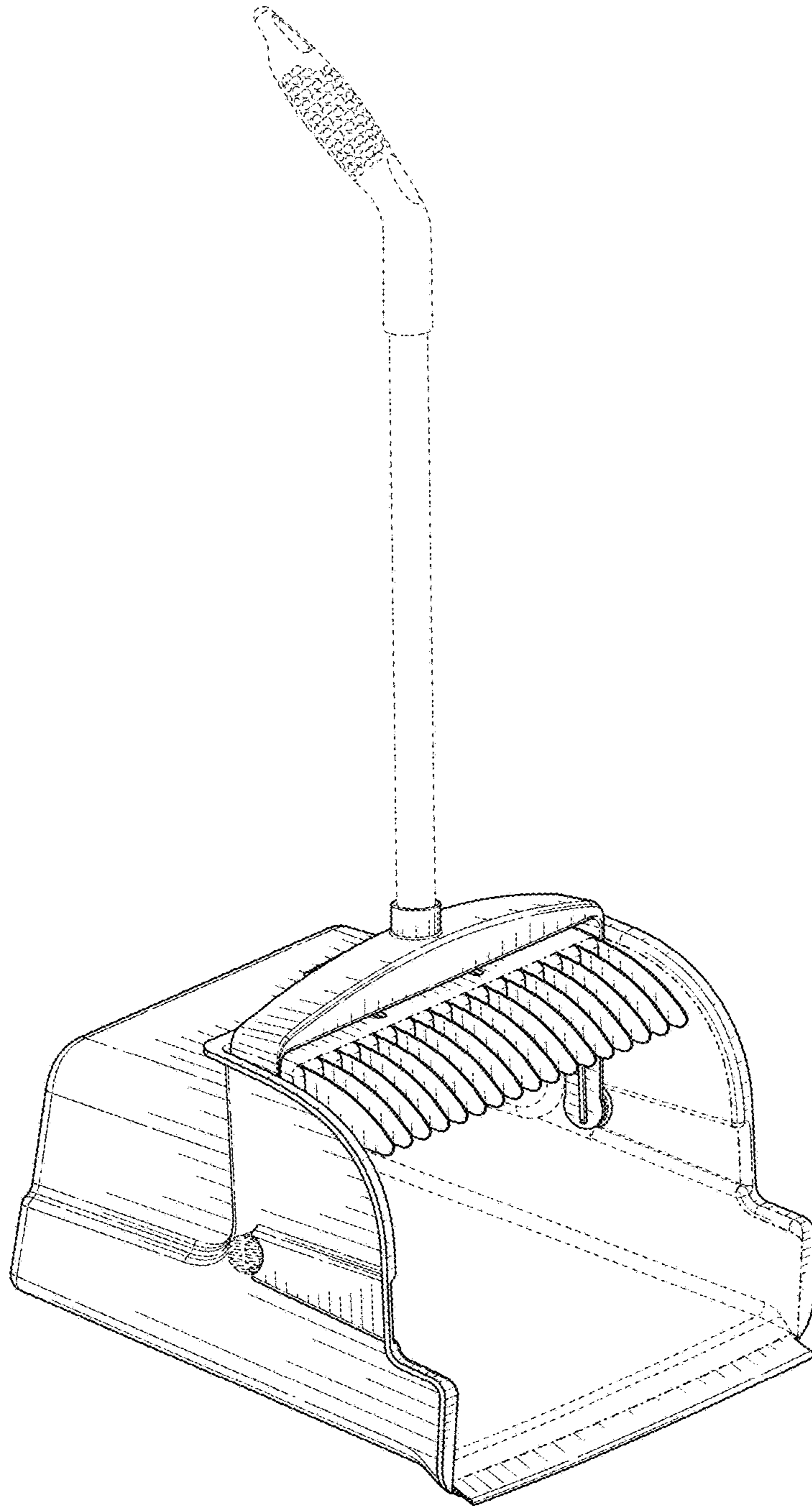


FIG. 1

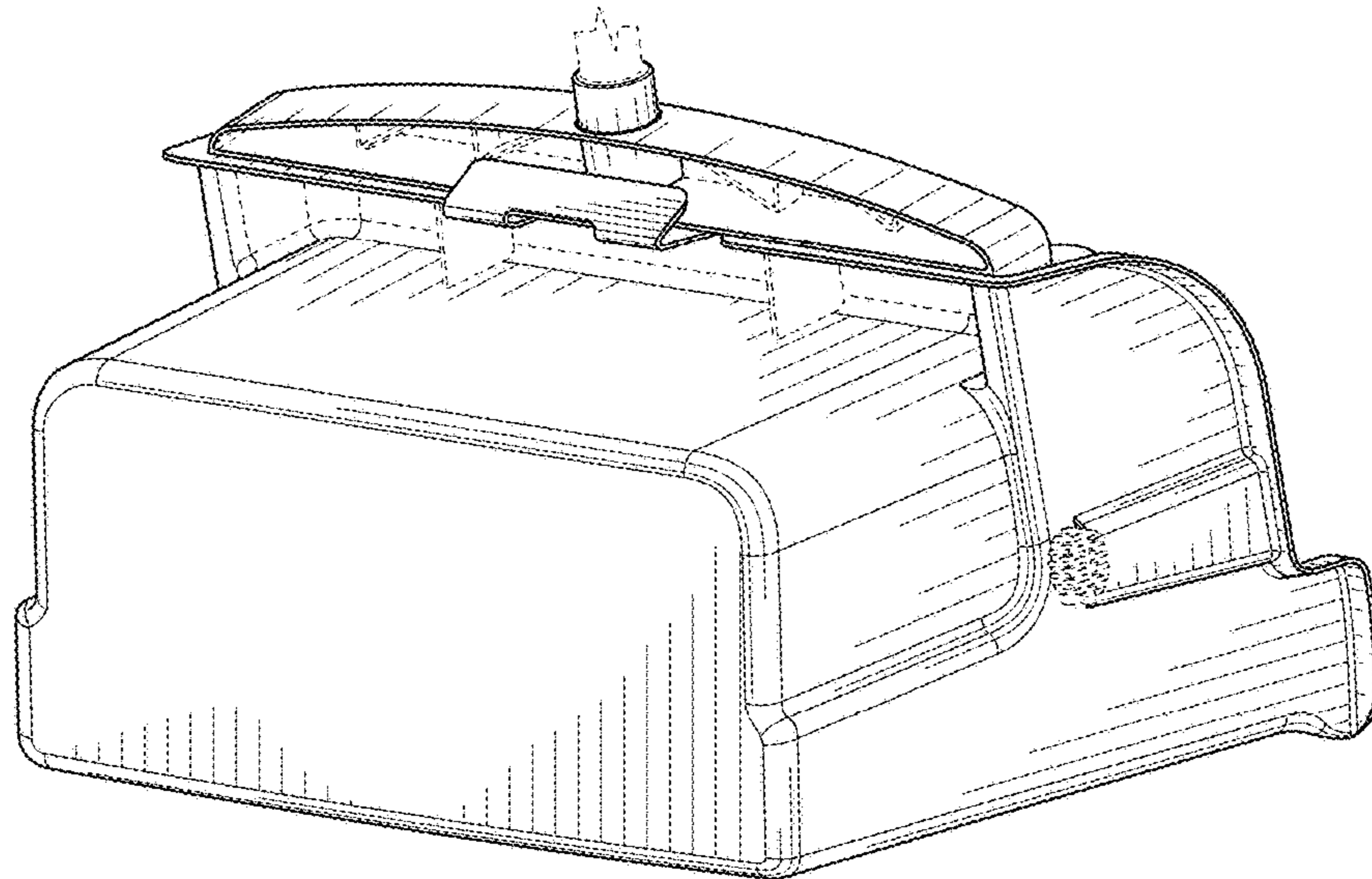


FIG. 2

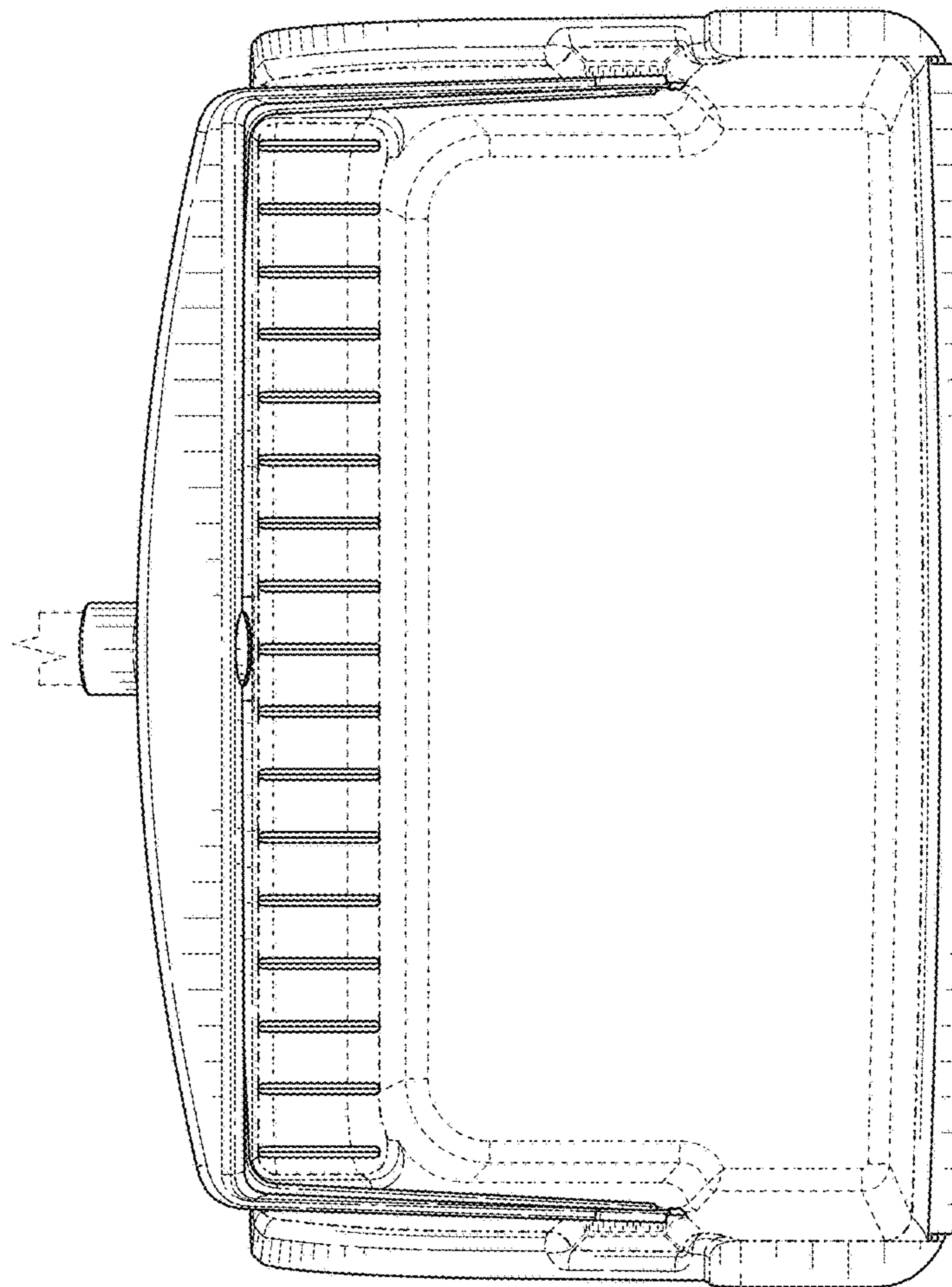


FIG. 3

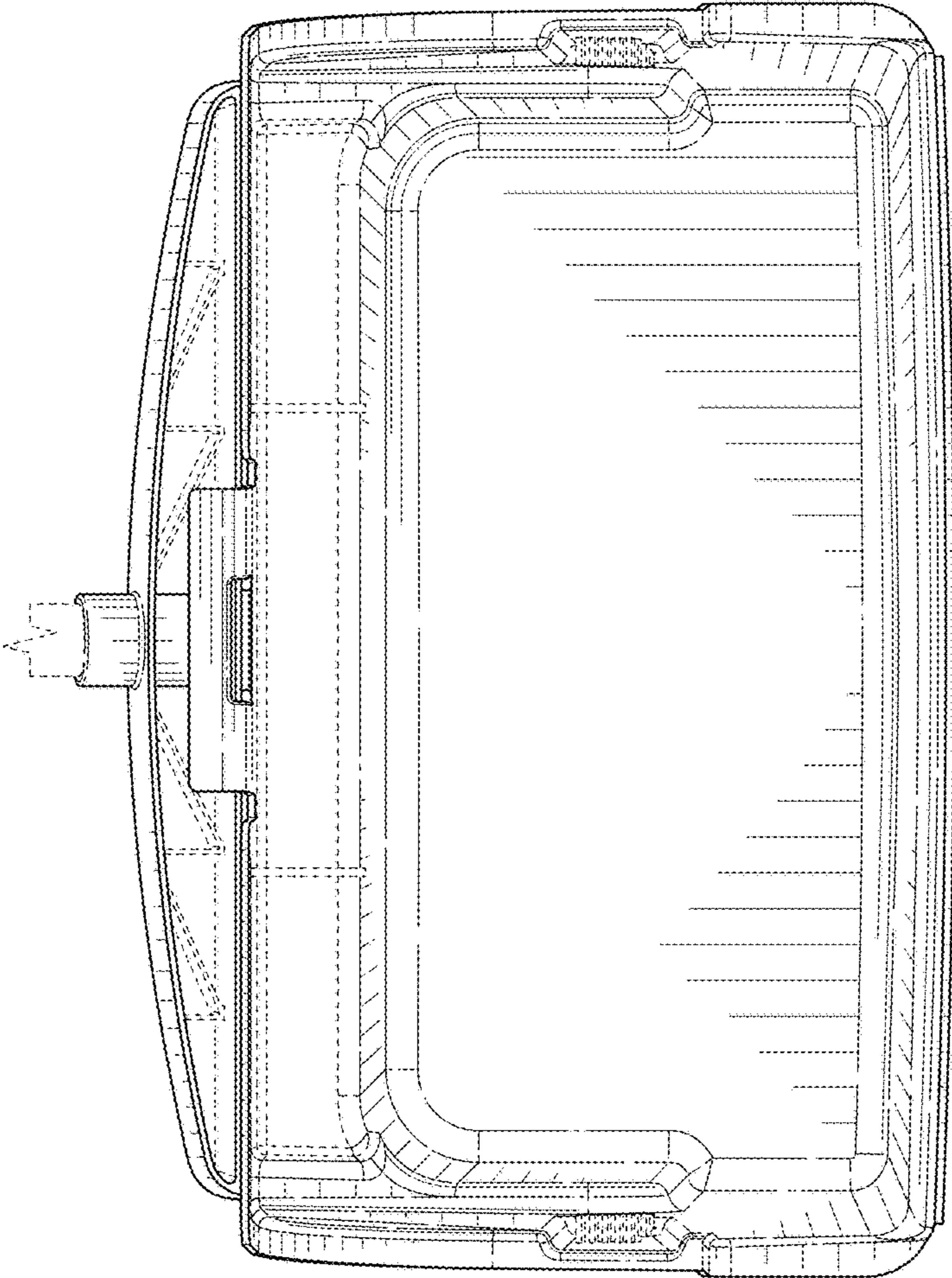


FIG. 4

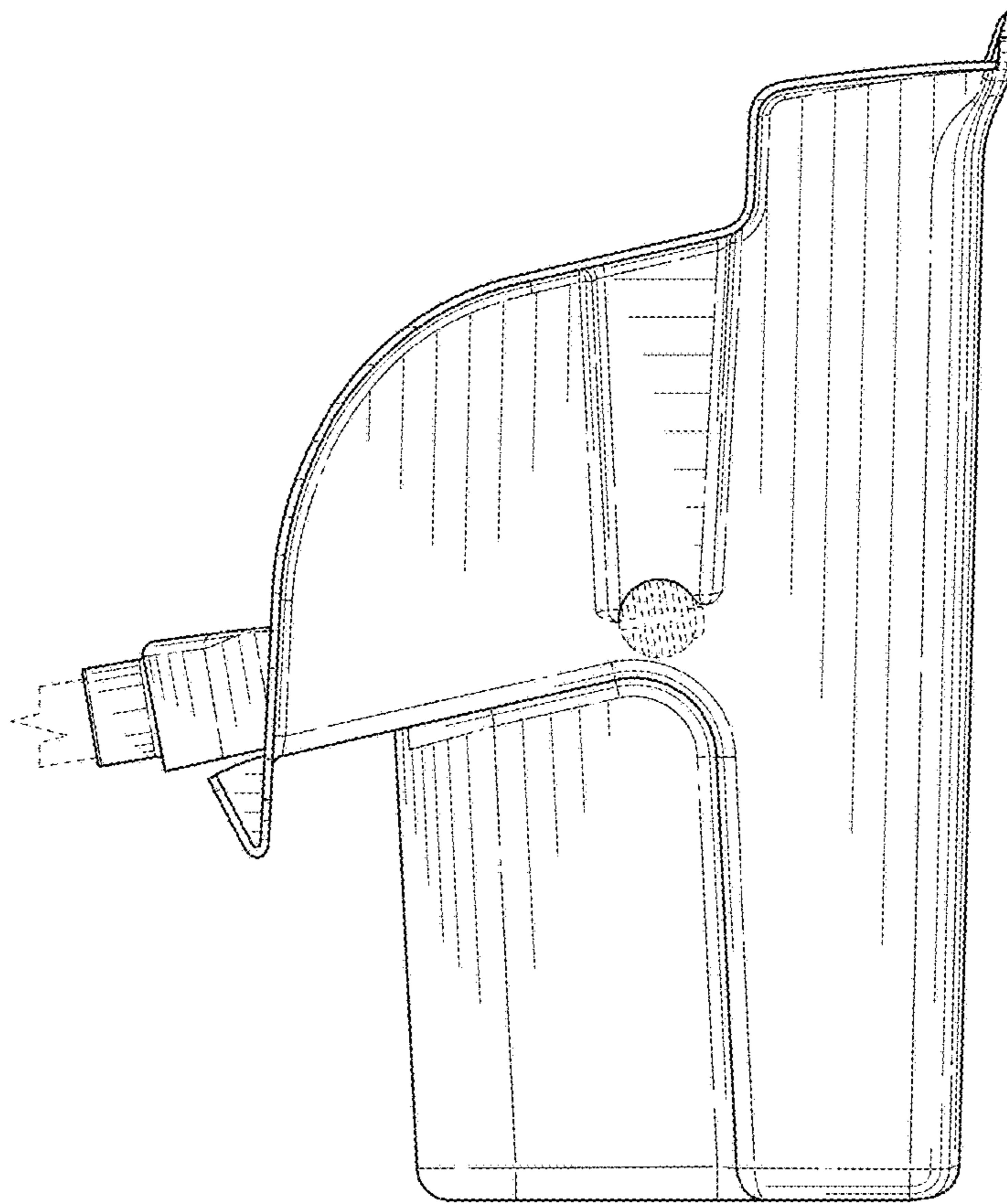


FIG. 5

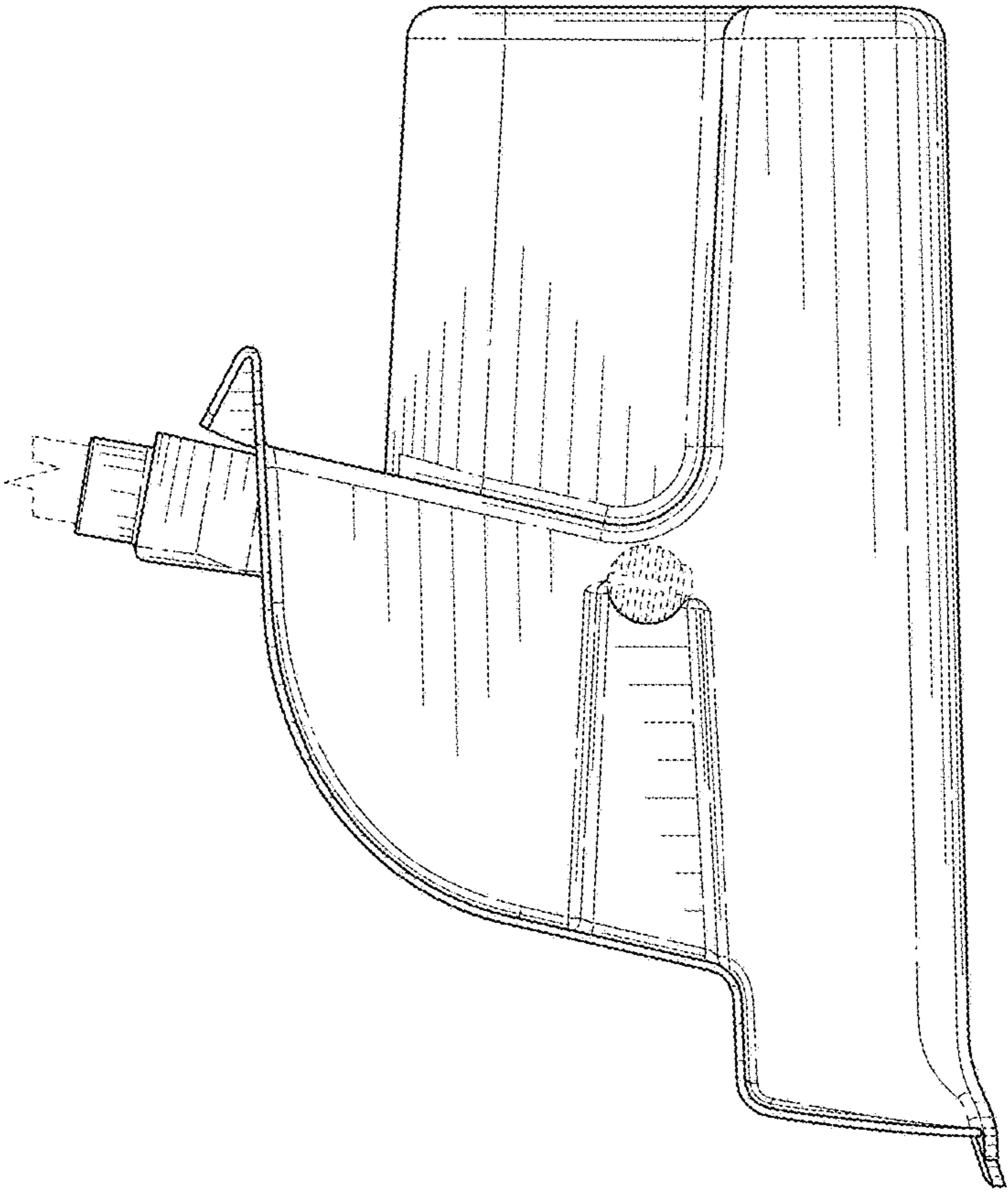


FIG. 6

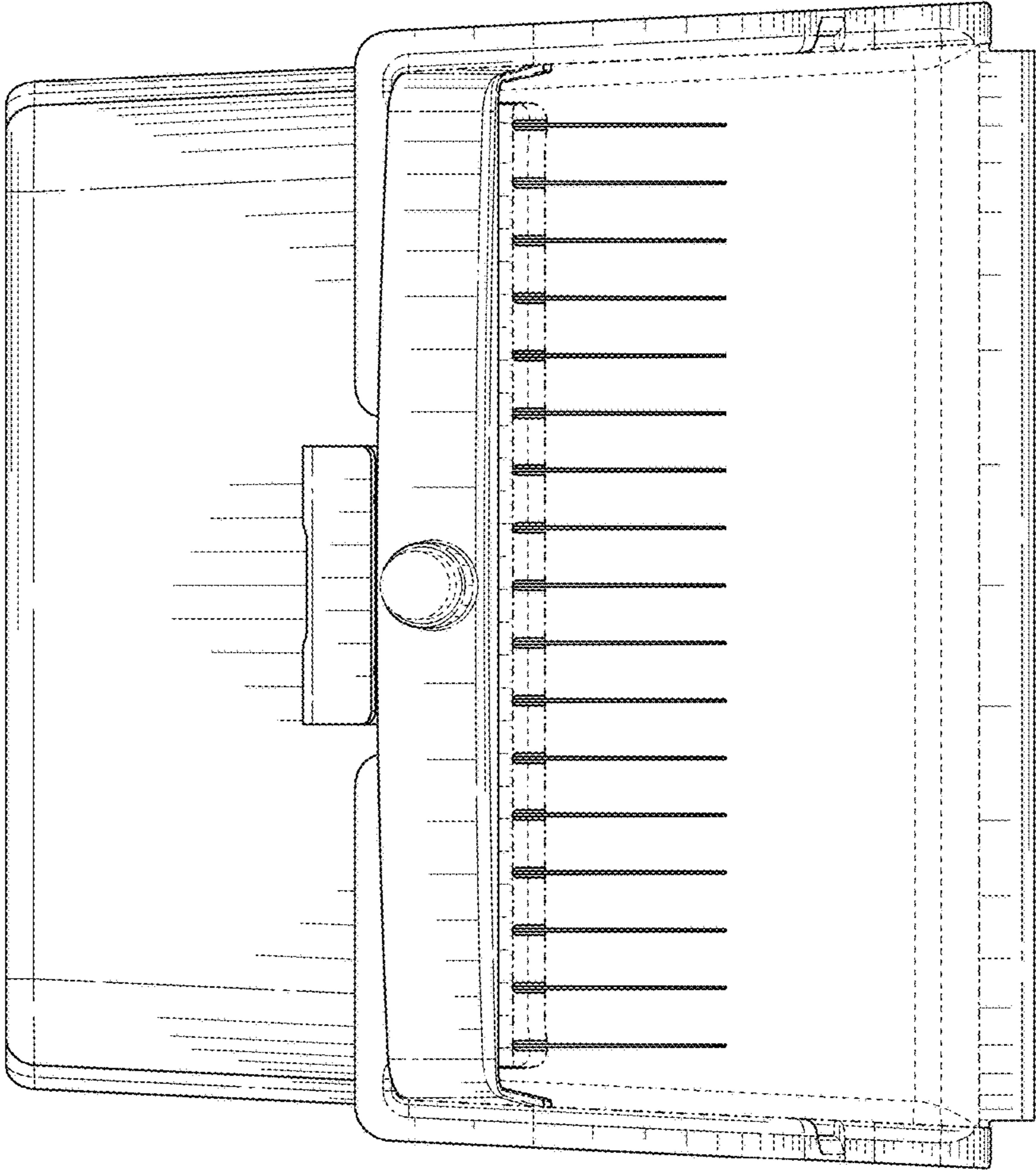


FIG. 7

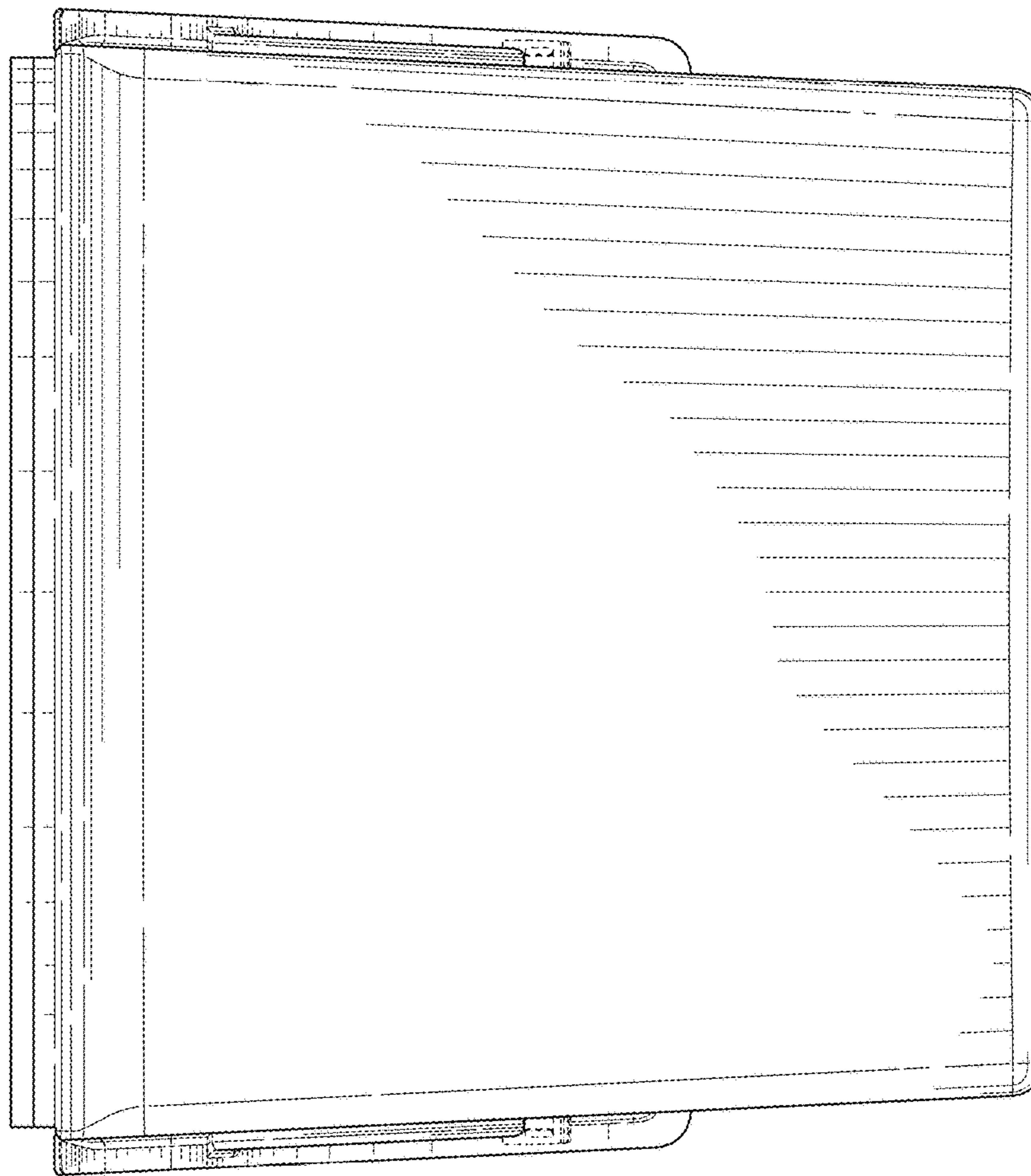


FIG. 8