



US00D853672S

(12) **United States Design Patent** (10) **Patent No.:** **US D853,672 S**
Beyda et al. (45) **Date of Patent:** **** Jul. 9, 2019**

- (54) **DRY MOP**
- (71) Applicant: **TOWN & COUNTRY LINEN CORP.**, New York, NY (US)
- (72) Inventors: **Jeffrey Beyda**, New York, NY (US); **Robert Passaretti**, New York, NY (US); **Gina Barnaba**, New York, NY (US)
- (73) Assignee: **TOWN & COUNTRY LINEN CORP.**, New York, NY (US)
- (**) Term: **15 Years**
- (21) Appl. No.: **29/603,243**
- (22) Filed: **May 8, 2017**
- (51) **LOC (11) Cl.** **07-05**
- (52) **U.S. Cl.**
USPC **D32/50**
- (58) **Field of Classification Search**
USPC D9/456-457, 499; D14/485, 488-489, D14/491, 493; D32/40-45, 50-52; D4/130-135, 199
CPC A47L 13/24; A47L 13/12; A46B 5/02
See application file for complete search history.

- (56) **References Cited**
U.S. PATENT DOCUMENTS
3,795,933 A * 3/1974 Seufert A47L 13/12 15/114
D247,949 S * 5/1978 Tillinghast D32/50
D250,245 S * 11/1978 Bebb D32/50
D354,169 S * 1/1995 Roberts D32/52
D368,561 S * 4/1996 Hodges D32/50
5,678,278 A * 10/1997 McBride A47L 13/16 15/147.2
D423,157 S * 4/2000 Hodges D32/40
6,065,178 A * 5/2000 Hsieh A47L 13/257 15/244.1
D457,994 S * 5/2002 Gomez D32/40
D500,183 S * 12/2004 Bensussan D32/40

- D504,199 S * 4/2005 Bensussan D32/40
 - D530,049 S * 10/2006 Berti D32/44
 - D545,517 S * 6/2007 Erken D32/42
 - D566,916 S * 4/2008 Nobile D32/40
 - D586,964 S * 2/2009 Lee D32/42
 - D586,966 S * 2/2009 Nobile D32/40
 - 8,166,599 B2 * 5/2012 Tomm A47L 13/46 15/144.1
 - D672,107 S * 12/2012 Van Landingham, Jr. D32/50
- (Continued)

FOREIGN PATENT DOCUMENTS

- CN 302037465 * 8/2012
- CN 304108465 * 4/2017

OTHER PUBLICATIONS

Draper Flat Dust Mop: Amazon.co.uk: <https://www.amazon.co.uk/Draper-48934-Flat-Extendable-Handle/dp/B0010XHCEO>, site visited Oct. 7, 2018.*

Primary Examiner — John Windmuller
Assistant Examiner — John R Yeh
(74) *Attorney, Agent, or Firm* — Leason Ellis LLP

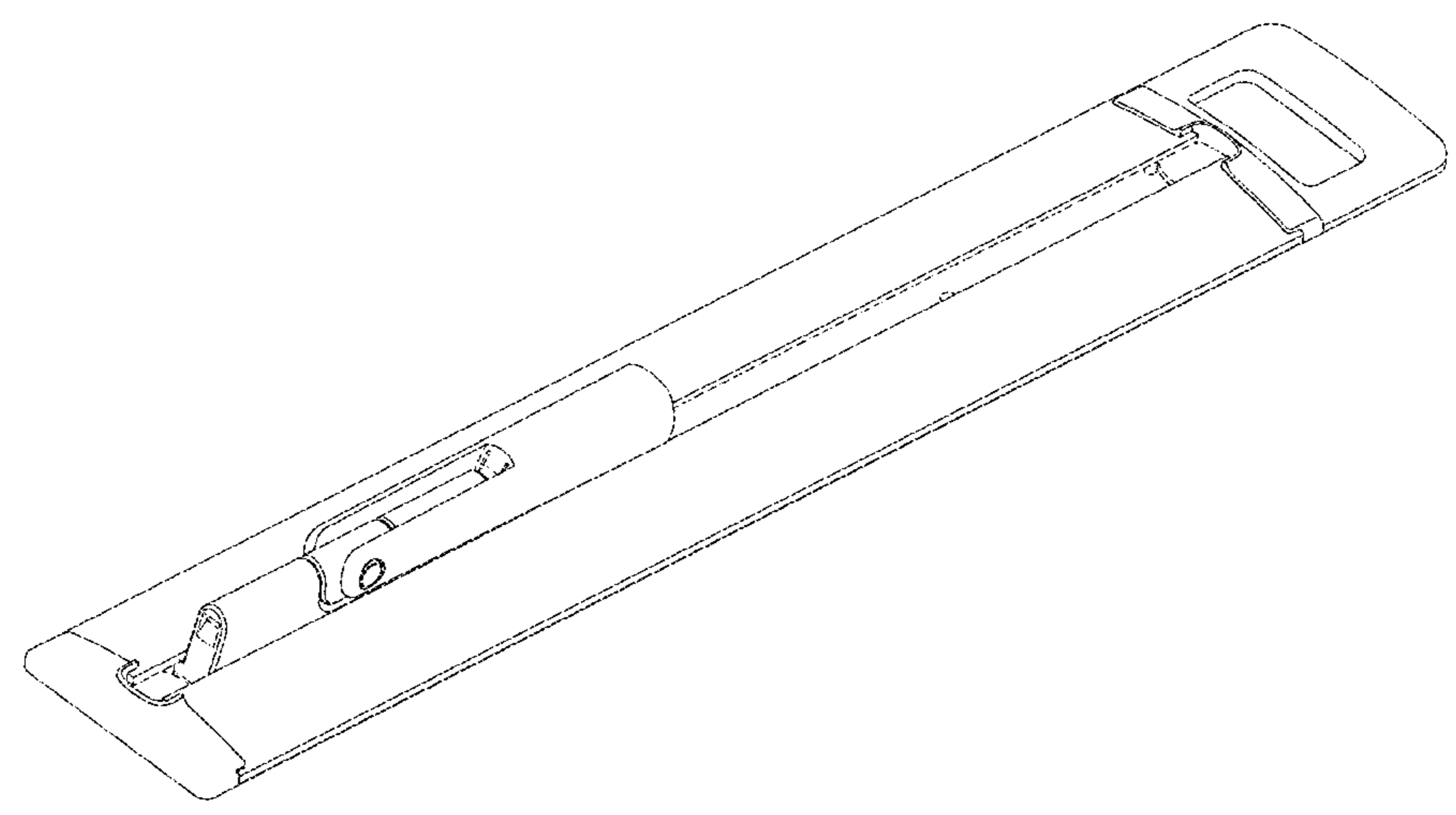
(57) **CLAIM**

The ornamental design for a dry mop, as shown and described.

DESCRIPTION

FIG. 1 is a top perspective view of a dry mop showing our new design;
FIG. 2 is a top plan view thereof;
FIG. 3 is a bottom plan view thereof;
FIG. 4 is a rear elevation view thereof, where the front elevation view is a mirror image;
FIG. 5 is a right side elevation view thereof; and,
FIG. 6 is a left side elevation view thereof.
The broken lines represent portions of the dry mop that form no part of the claimed design.

1 Claim, 6 Drawing Sheets



(56)

References Cited

U.S. PATENT DOCUMENTS

D701,361 S * 3/2014 Harris D32/40
9,084,525 B2 * 7/2015 Cohen B60S 3/045
9,566,952 B2 * 2/2017 Cohen B60S 3/045

* cited by examiner

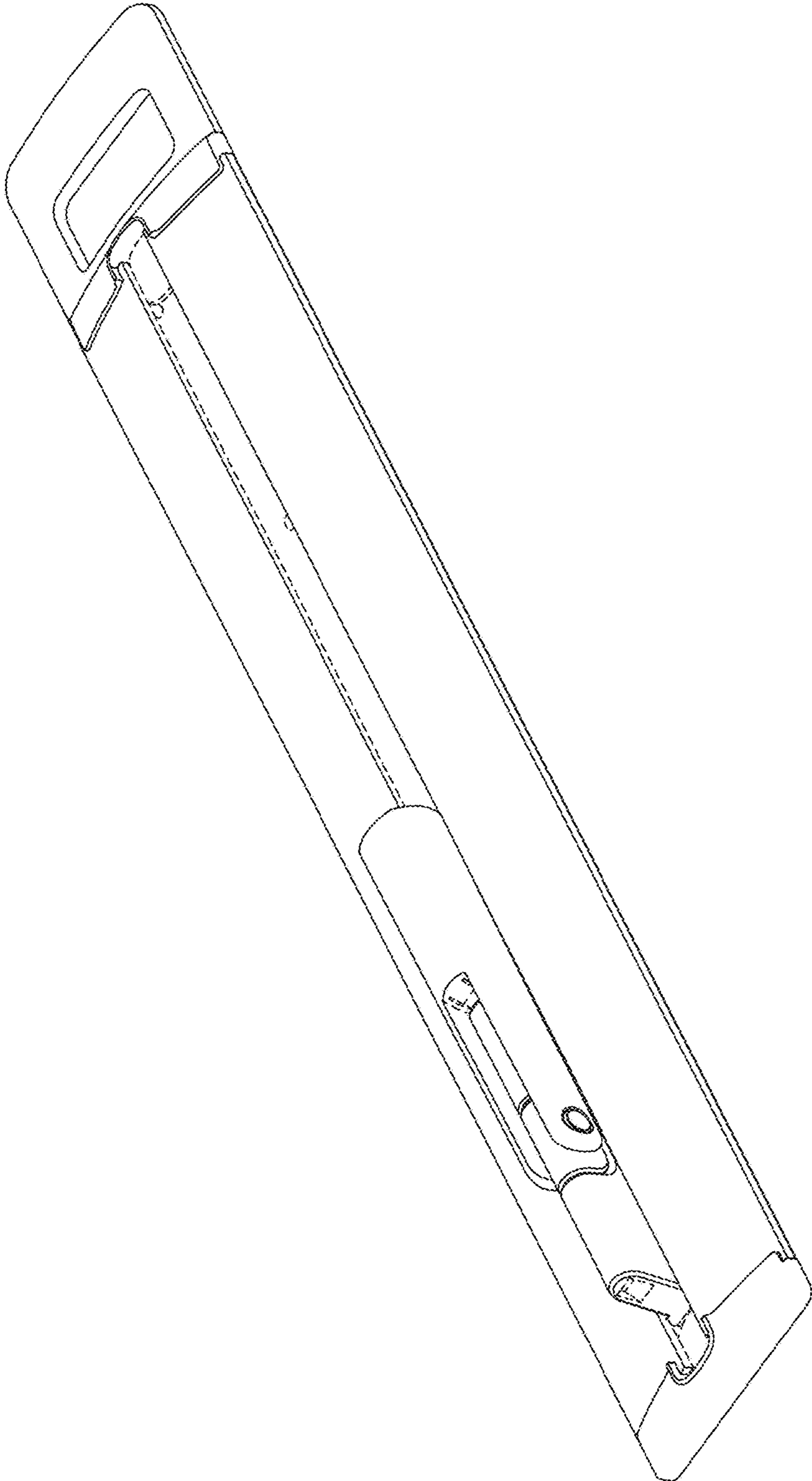


Fig. 1

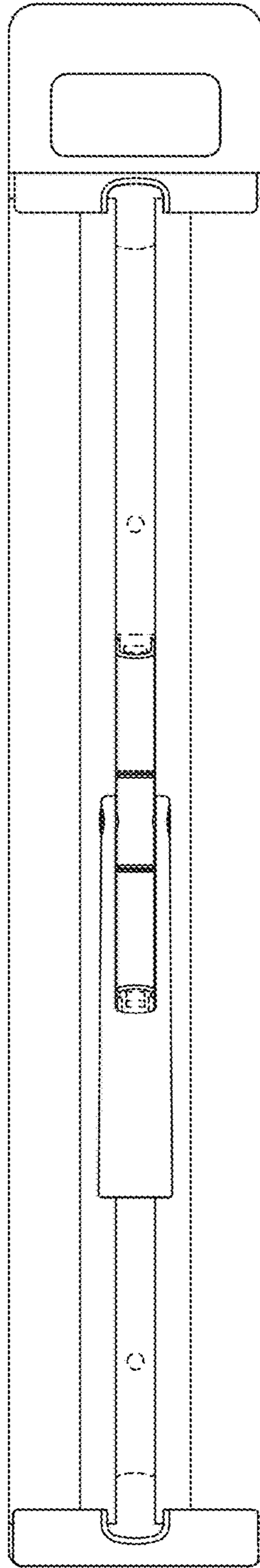


Fig. 2

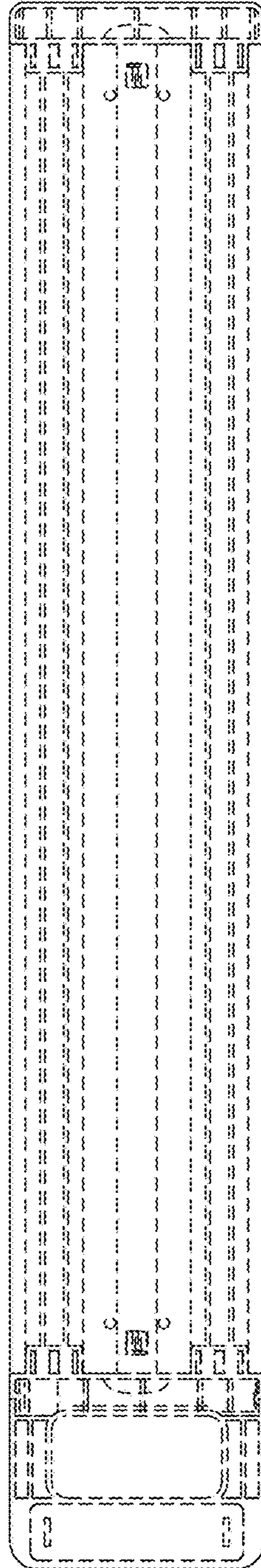


Fig. 3

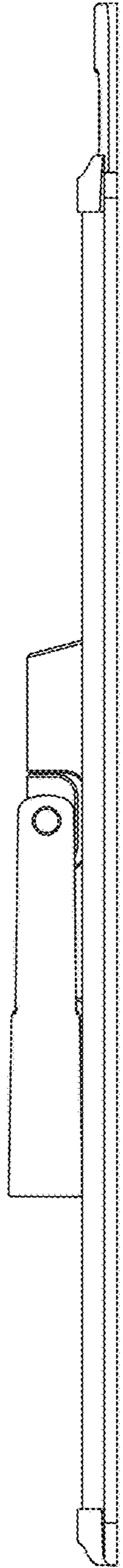


Fig. 4

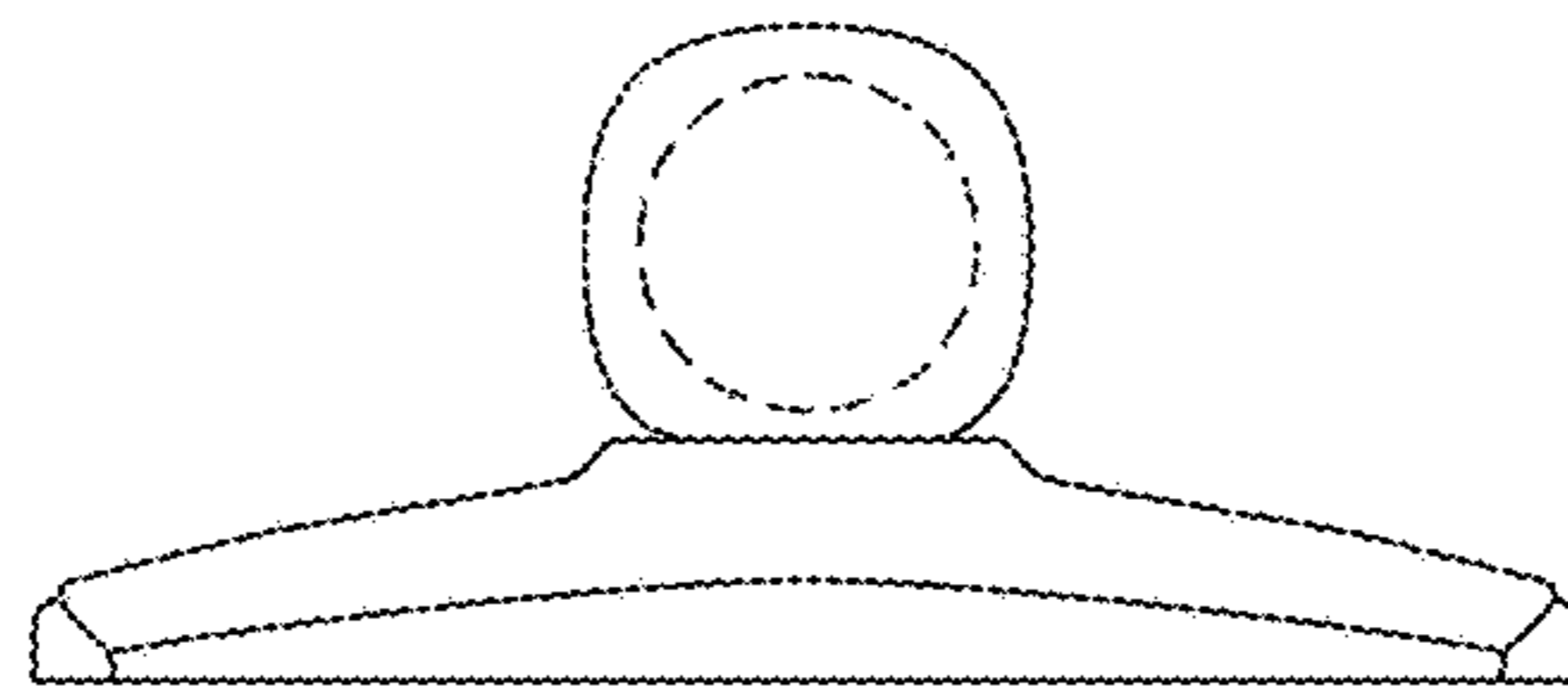


Fig. 5

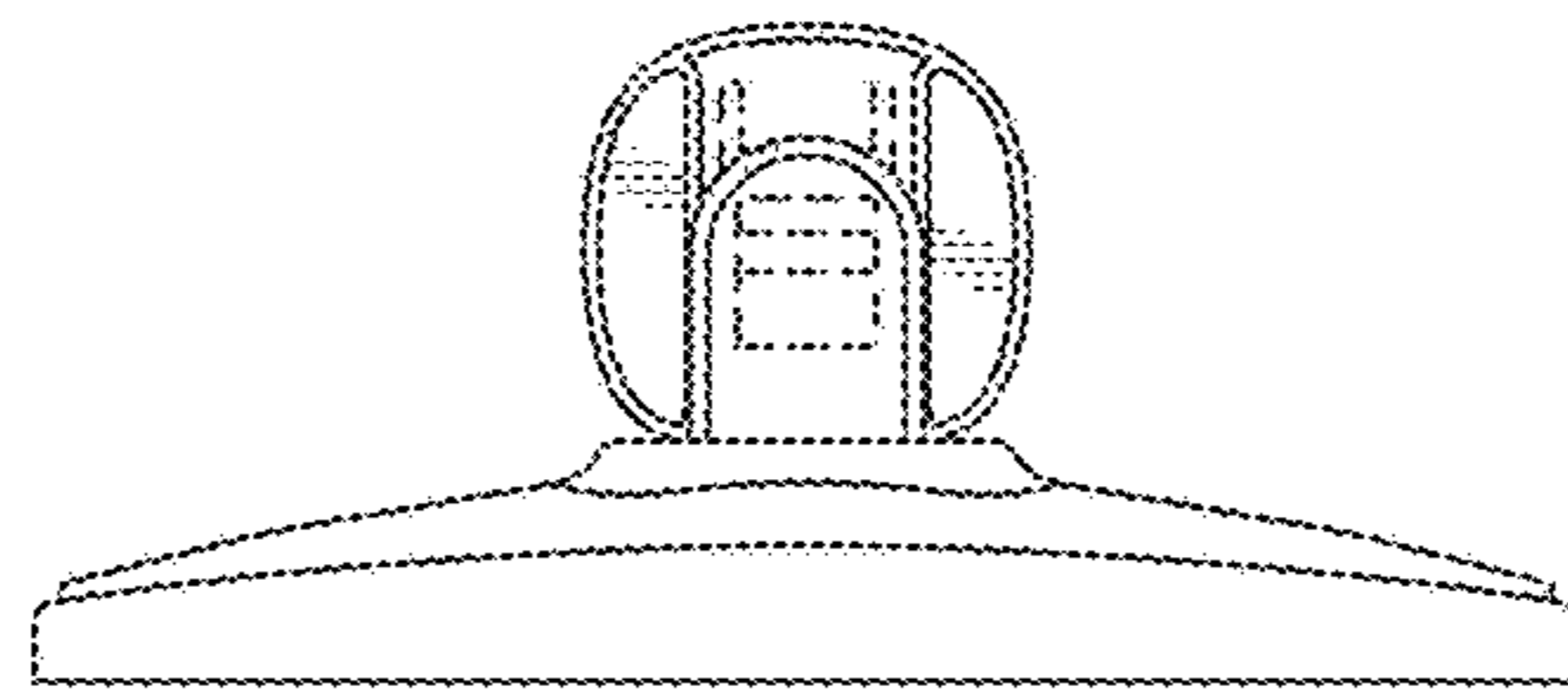


Fig. 6