



US00D853671S

(12) **United States Design Patent** (10) **Patent No.:** **US D853,671 S**
Beyda et al. (45) **Date of Patent:** **** Jul. 9, 2019**

(54) **BROOM HEAD**

(71) Applicant: **TOWN & COUNTRY LINEN CORP.**, New York, NY (US)

(72) Inventors: **Jeffrey Beyda**, New York, NY (US); **Robert Passaretti**, New York, NY (US); **Gina Barnaba**, New York, NY (US)

(73) Assignee: **TOWN & COUNTRY LINEN CORP.**, New York, NY (US)

(**) Term: **15 Years**

(21) Appl. No.: **29/603,241**

(22) Filed: **May 8, 2017**

(51) **LOC (11) Cl.** **07-05**

(52) **U.S. Cl.**
USPC **D32/50**

(58) **Field of Classification Search**
USPC D9/456-457, 499; D14/485, 488-489, D14/491, 493; D32/40-45, 50-52; D4/130-135, 199
CPC A47L 13/24; A47L 13/12; A46B 5/02
See application file for complete search history.

(56) **References Cited**

U.S. PATENT DOCUMENTS

D41,853 S *	10/1911	Foster	D4/130
D362,754 S *	10/1995	Martini	D32/40
D370,322 S *	5/1996	Canni Ferrari	D32/31
D371,003 S *	6/1996	Wolfenden	D4/135
D417,325 S *	11/1999	Tintelnot	D32/50
D472,716 S *	4/2003	Hay	D32/50
D473,057 S *	4/2003	Chan	D32/50
D497,723 S *	11/2004	Sickler	D4/121
6,877,181 B2 *	4/2005	Laux	A46B 15/00
				15/114
D505,268 S *	5/2005	Potempa	D4/129
D511,250 S *	11/2005	Hay	D4/135
D537,255 S *	2/2007	Berti	D32/50
D572,013 S *	7/2008	Weis	D4/199

D572,014 S *	7/2008	Weis	D4/199
D587,417 S *	2/2009	Sartori	D4/135
D658,895 S *	5/2012	Pottes	D4/199
D663,532 S *	7/2012	Pottes	D4/199
D683,968 S *	6/2013	Pottes	D4/199

(Continued)

FOREIGN PATENT DOCUMENTS

CN	3338642	*	12/2003
KR	300891943.0000	*	1/2017

OTHER PUBLICATIONS

AmazonSmile: Quickie All-Purpose Angle Broom, web review 2014, https://smile.amazon.com/Quickie-700-6-All-Purpose-Angle-Broom/dp/B00070EBWQ/ref=sr_1_16?ie=UTF8&qid=1537941299&sr=8-16&keywords=quickie+broom#customerReviews, site visited Sep. 26, 2018.*

(Continued)

Primary Examiner — John Windmuller

Assistant Examiner — John R Yeh

(74) *Attorney, Agent, or Firm* — Leason Ellis LLP

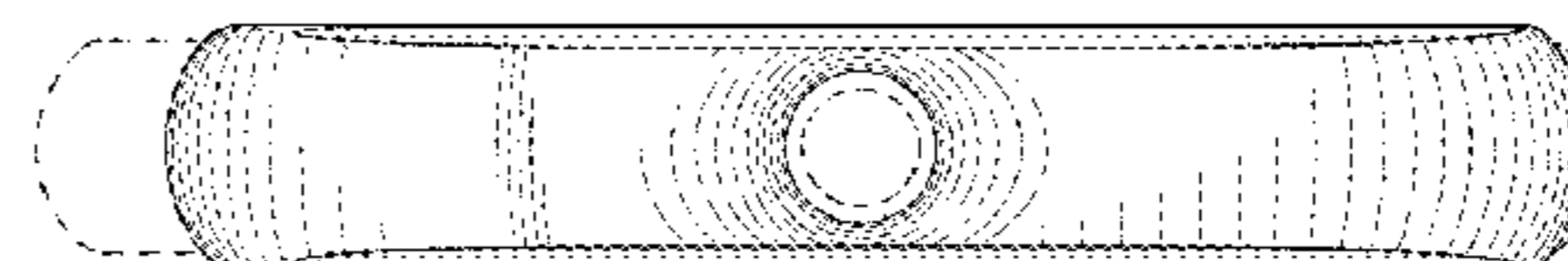
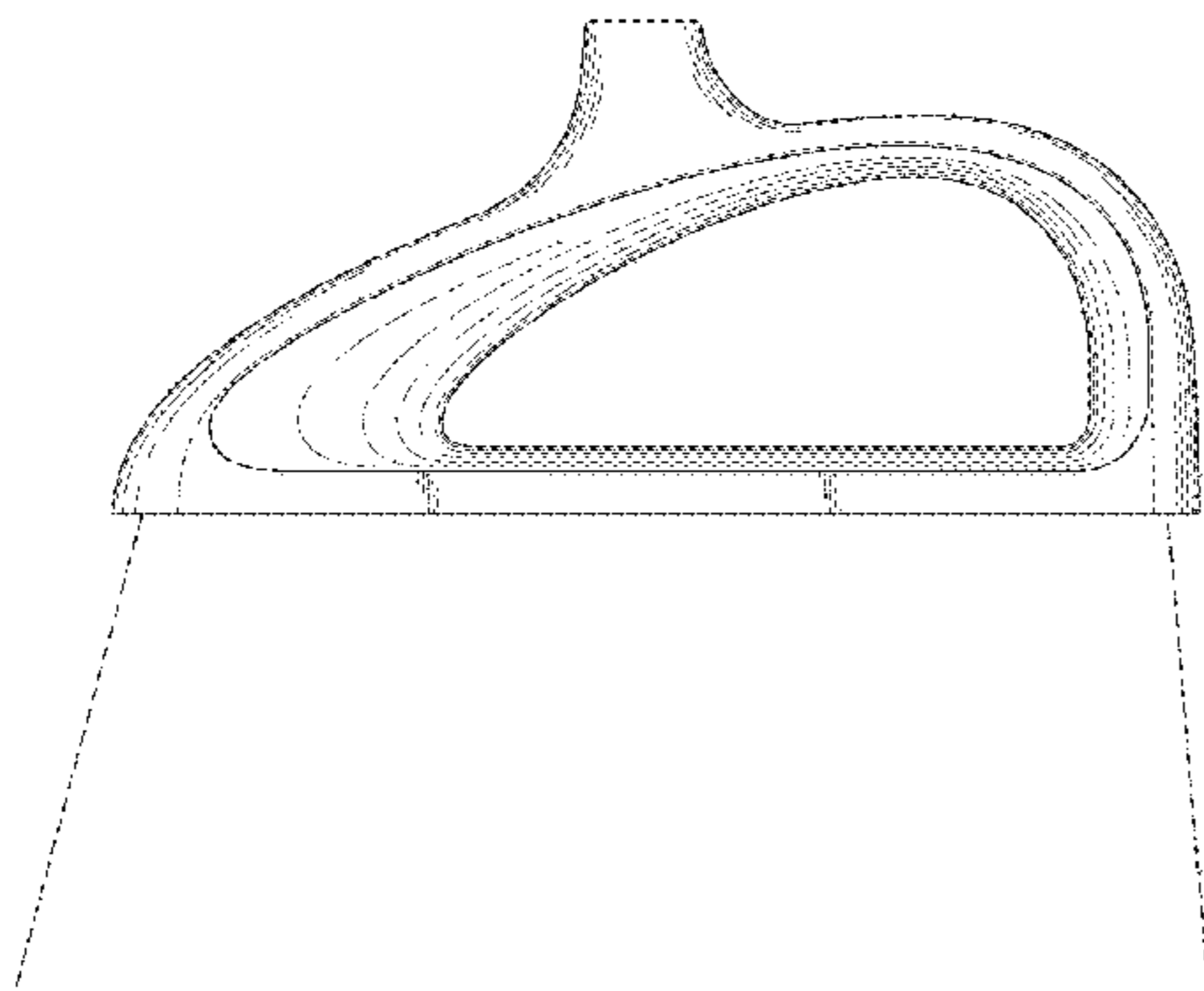
(57) **CLAIM**

The ornamental design for a broom head, as shown and described.

DESCRIPTION

FIG. 1 is a top and front perspective view of a broom head showing our new design;
FIG. 2 is a front elevation view thereof, where the rear elevation view is a mirror image;
FIG. 3 is a top plan view thereof;
FIG. 4 is a bottom plan view thereof;
FIG. 5 is a right side elevation view thereof; and,
FIG. 6 is a left side elevation view thereof.
The broken lines shown in FIGS. 1-6 represent unclaimed subject matter (bristle area) and form no part of the claimed design.

1 Claim, 4 Drawing Sheets



(56)

References Cited

U.S. PATENT DOCUMENTS

D764,131 S * 8/2016 Seifts D32/50
D764,733 S * 8/2016 Kandasamy D32/50
D785,948 S * 5/2017 Weaver D4/135
D814,131 S * 3/2018 Metzel D32/50
2005/0015905 A1* 1/2005 Boyer A46B 3/06
15/159.1

OTHER PUBLICATIONS

Quickie Manufacturing, angle broom, website 2018, <https://www.townandcountryhardware.com/2569476/Product/QUICKIE-MANUFACTURING-72750-72409>, site visited Sep. 26, 2018.*

* cited by examiner

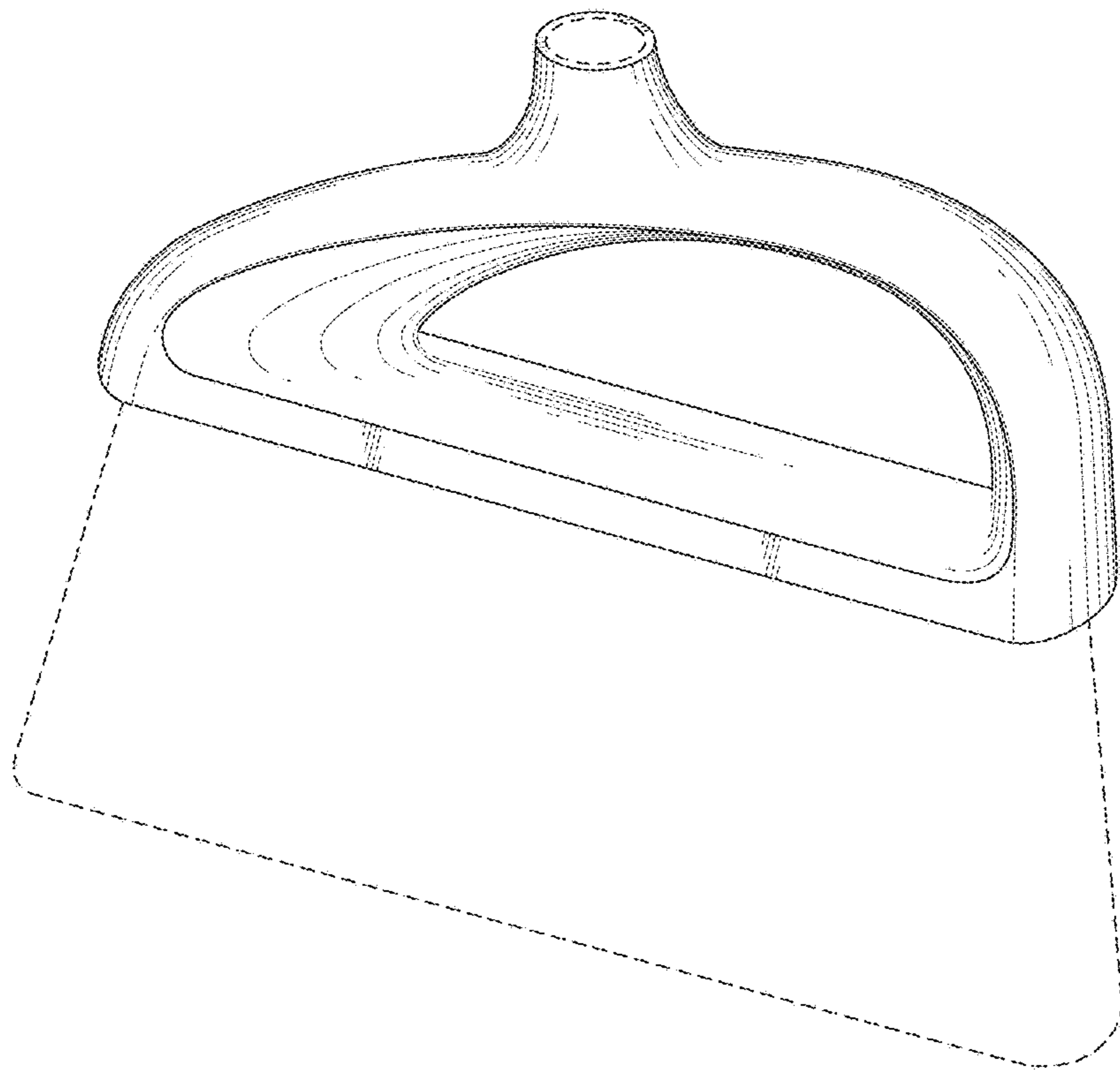


Fig. 1

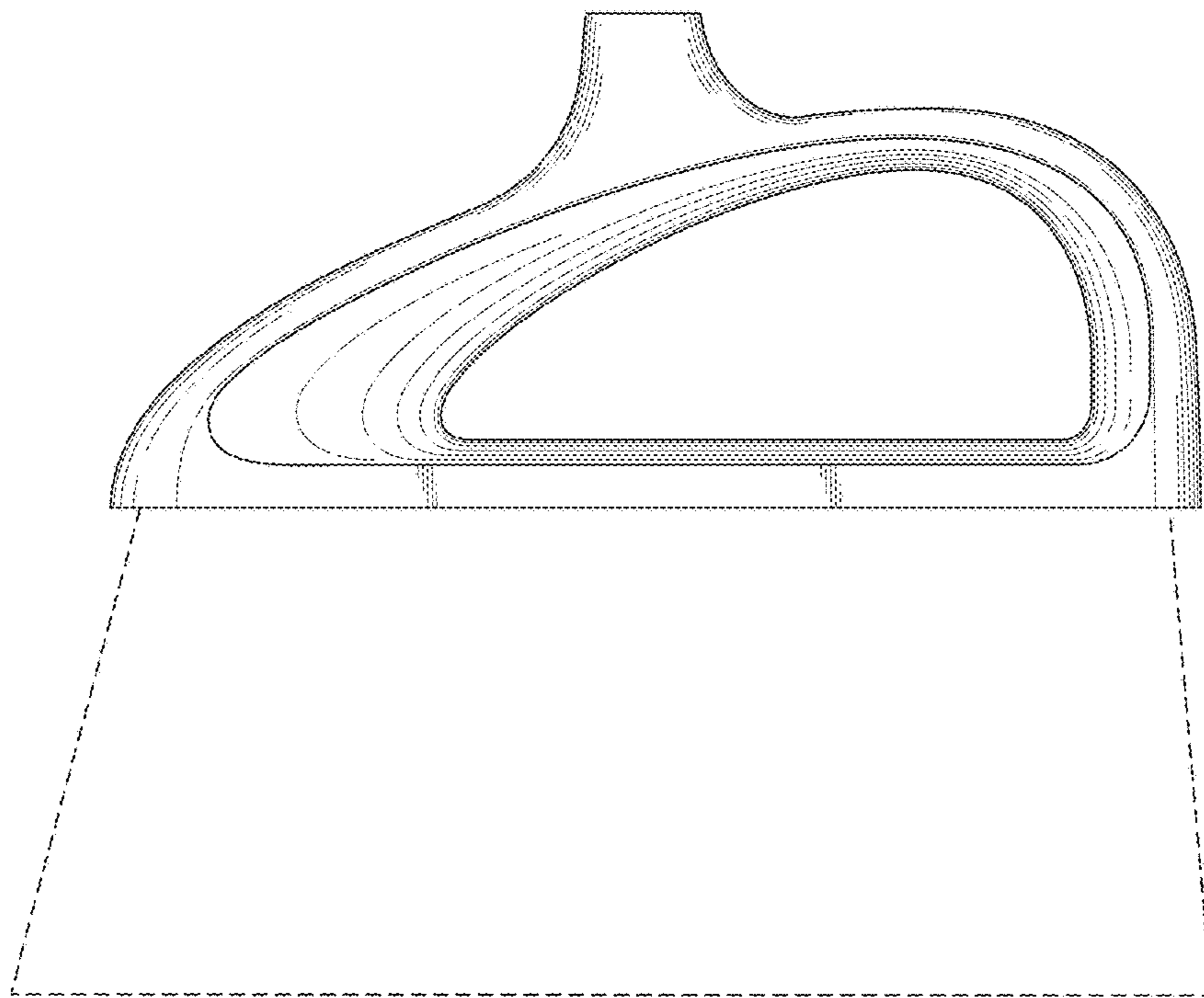


Fig. 2

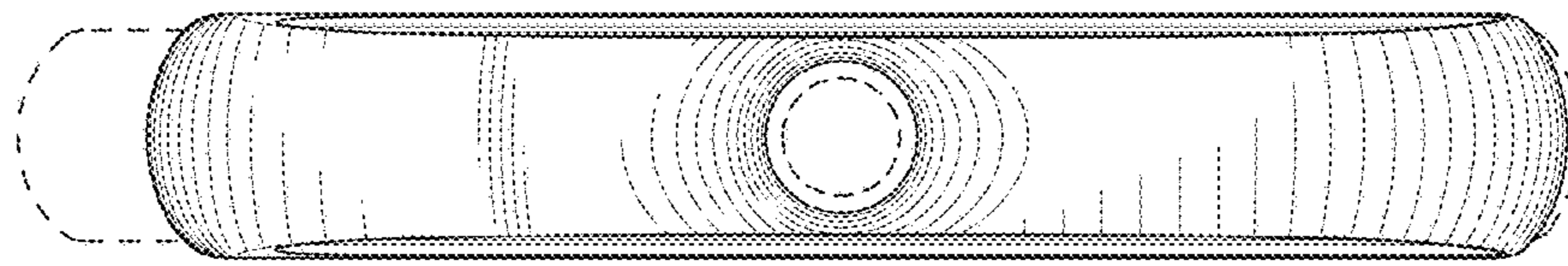


Fig. 3

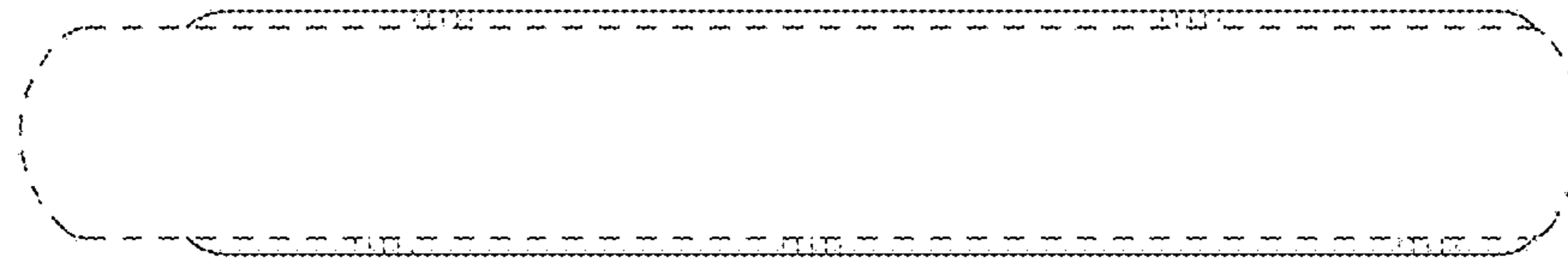


Fig. 4

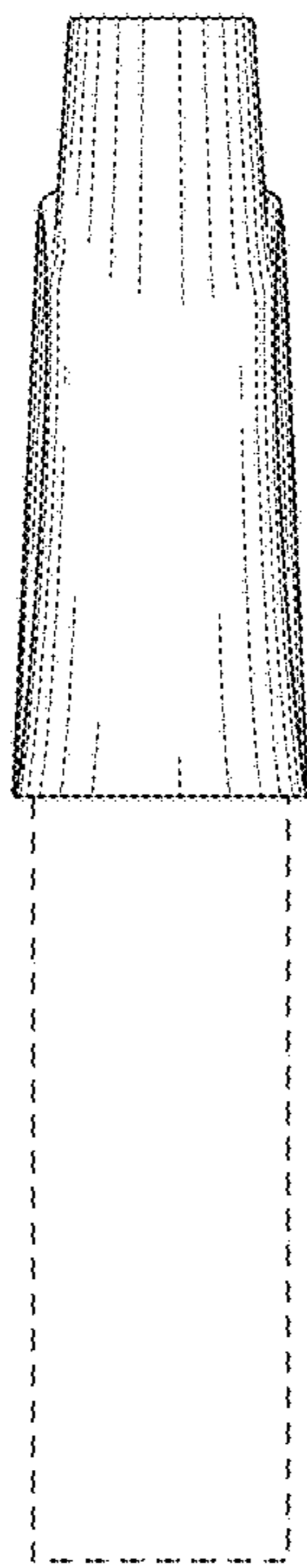


Fig. 6

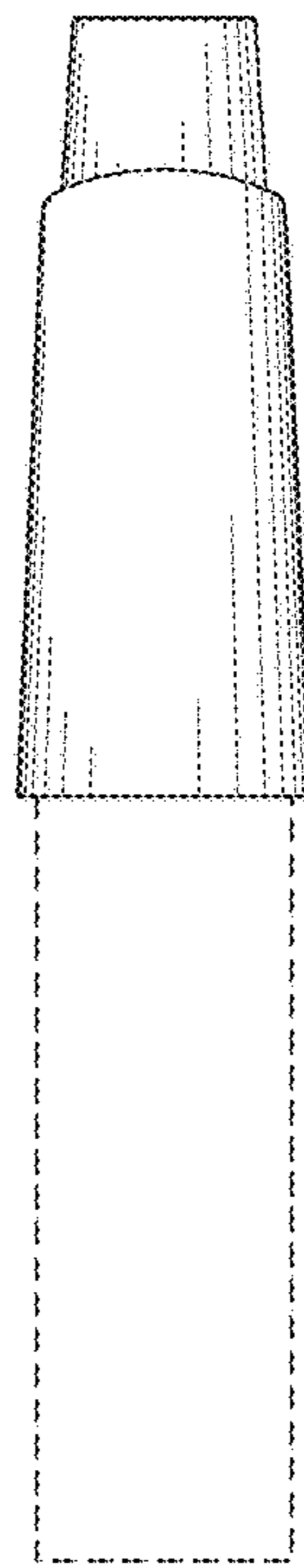


Fig. 5