



US00D853668S

(12) **United States Design Patent** (10) **Patent No.:** **US D853,668 S**
Yoo et al. (45) **Date of Patent:** **** Jul. 9, 2019**

(54) **ELECTRIC WASHING MACHINE WITH CLOTHES DRYER**

(71) Applicant: **LG ELECTRONICS INC.**, Seoul (KR)

(72) Inventors: **Taewoo Yoo**, Seoul (KR); **Junghwan Lee**, Seoul (KR); **Kyungah Lee**, Seoul (KR); **Hyewon Kim**, Seoul (KR); **Jeaseok Seong**, Seoul (KR)

(73) Assignee: **LG ELECTRONICS INC.**, Seoul (KR)

(**) Term: **15 Years**

(21) Appl. No.: **35/504,080**

(22) Filed: **Jun. 8, 2017**

(80) **Hague Agreement Data**

Int. Filing Date: **Jun. 8, 2017**

Int. Reg. No.: **DM/096539**

Int. Reg. Date: **Jun. 8, 2017**

Int. Reg. Pub. Date: **Dec. 8, 2017**

(30) **Foreign Application Priority Data**

Dec. 8, 2016 (KR) 30-2016-0059417

(51) **LOC (11) Cl.** **15-05**

(52) **U.S. Cl.**
USPC **D32/11**

(58) **Field of Classification Search**

USPC D32/2, 6-13, 55, 56, 58; D6/410, 411, D6/462, 546, 548, 553, 567, 574, 566; D23/271, 273, 284, 286, 308

(Continued)

(56) **References Cited**

U.S. PATENT DOCUMENTS

D767,837 S * 9/2016 Chee D32/25

D773,133 S * 11/2016 Ha D32/25

(Continued)

Primary Examiner — Khawaja Anwar

(74) *Attorney, Agent, or Firm* — Birch, Stewart, Kolasch & Birch, LLP

(57) **CLAIM**

The ornamental design for an electric washing machine with clothes dryer, as shown and described.

DESCRIPTION

1. Electric washing machine with clothes dryer

1.1 : Perspective

1.2 : Front

1.3 : Back

1.4 : Left

1.5 : Right

1.6 : Top

1.7 : Bottom

1.8 : Perspective

1.9 : Front

1.10 : Back

1.11 : Left

1.12 : Right

1.13 : Top

1.14 : Bottom

1.15 : Perspective

1.16 : Front

1.17 : Back

1.18 : Left

1.19 : Right

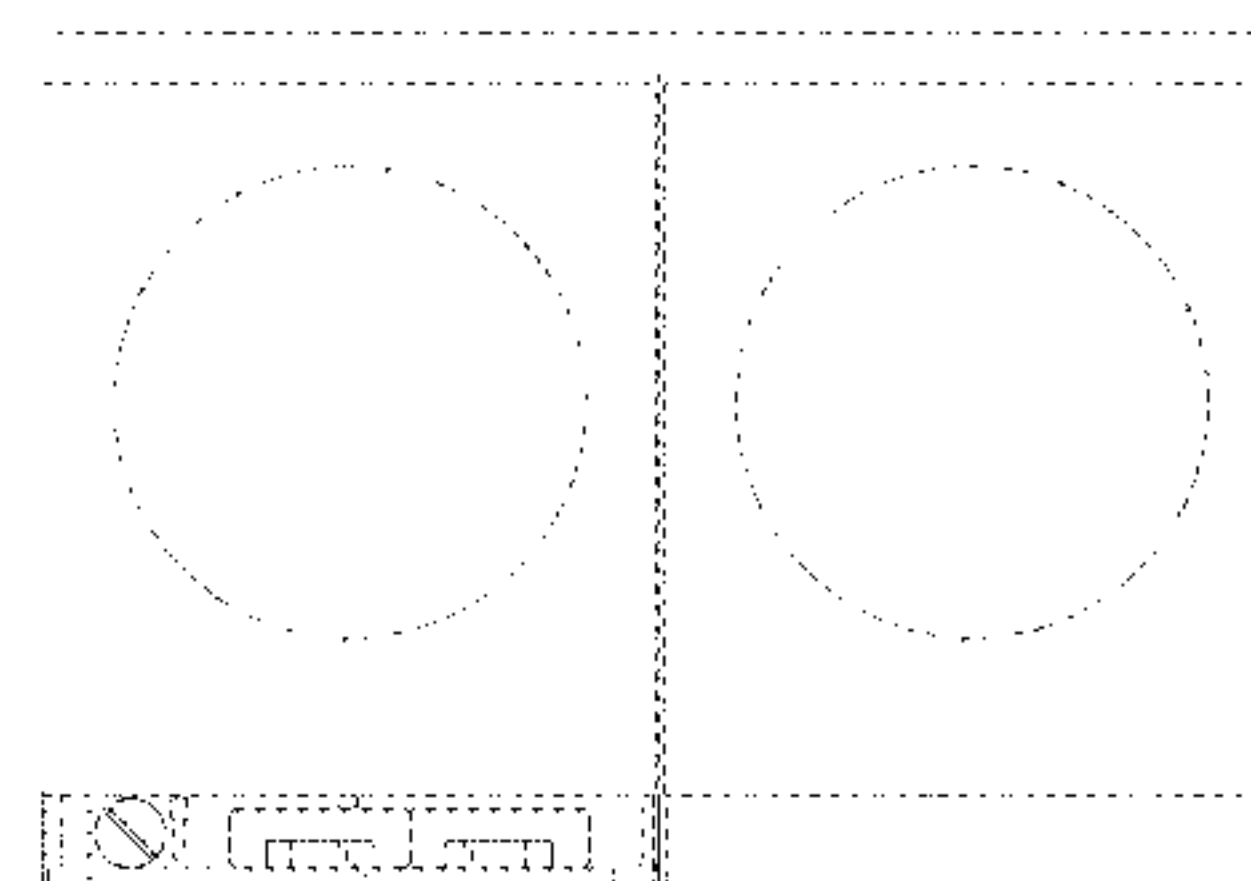
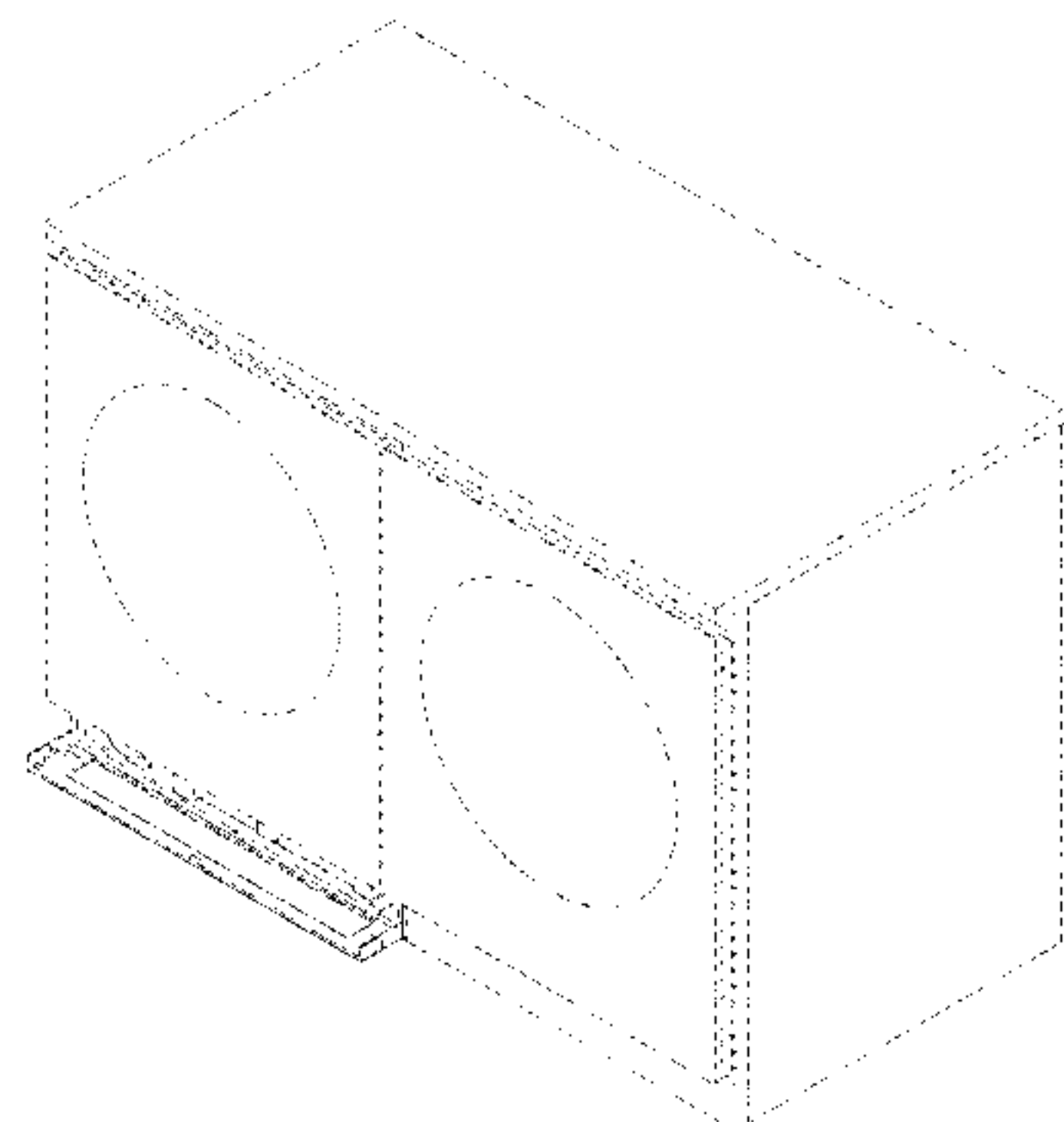
1.20 : Top

1.21 : Bottom

The broken lines depict portions of the electric washing machine with clothes dryer that form no part of the claimed design; the dash-dot broken lines define the boundaries of the claimed design and form no part thereof; reproduction

1.1 is a front perspective view of the electric washing machine with clothes dryer; reproduction 1.8 is a front perspective view thereof in a condition that the cover of an automatic detergent box has been open; reproduction 1.15 is a front perspective view of reproduction 1.8 in a condition that the automatic detergent box has been pulled out; reproductions 1.2, 1.9 and 1.16 are front views of reproductions 1.1, 1.8 and 1.15, respectively; reproductions 1.3, 1.10 and

(Continued)



1.17 are back views of reproductions 1.1, 1.8 and 1.15, respectively; reproductions 1.4, 1.11 and 1.18 are left views of reproductions 1.1, 1.8 and 1.15, respectively; reproductions 1.5, 1.12 and 1.19 are right views of reproductions 1.1, 1.8 and 1.15, respectively; reproductions 1.6, 1.13 and 1.20 are top views of reproductions 1.1, 1.8 and 1.15, respectively; reproductions 1.7, 1.14 and 1.21 are bottom views of reproductions 1.1, 1.8 and 1.15, respectively.

1 Claim, 21 Drawing Sheets

(58) **Field of Classification Search**

CPC D06F 33/02; D06F 39/14; D06F 37/304;
D06F 39/005; D06F 39/12; D06F 37/04;
D06F 39/02; D06F 29/00; D06F 37/203;
D06F 37/28; D06F 37/30; D06F 58/02;
D06F 2204/065; D06F 2222/00; D06F
29/005; D06F 29/02; D06F 31/00; D06F
33/00; D06F 37/10; D06F 37/12; D06F
37/36; D06F 58/206; D06F 58/22; D06F
58/24; D06F 17/08; D06F 1/04; D06F
2058/2803; D06F 2202/00; D06F
2202/02; D06F 2202/065; D06F 2202/12;

D06F 2204/02; D06F 2204/086; D06F
2224/00; D06F 2232/00; D06F 2232/08;
D06F 23/04; D06F 35/00; D06F 35/005;
D06F 35/006; D06F 35/007; D06F 37/00;
D06F 37/02; D06F 37/225; D06F 37/263;
D06F 37/266; D06F 37/268; D06F 37/40;
D06F 37/42; D06F 39/003; D06F 39/004;
D06F 39/007; D06F 39/08; D06F 39/088;
D06F 39/125; D06F 58/203; D06F 58/28;
D06F 81/06

See application file for complete search history.

(56)

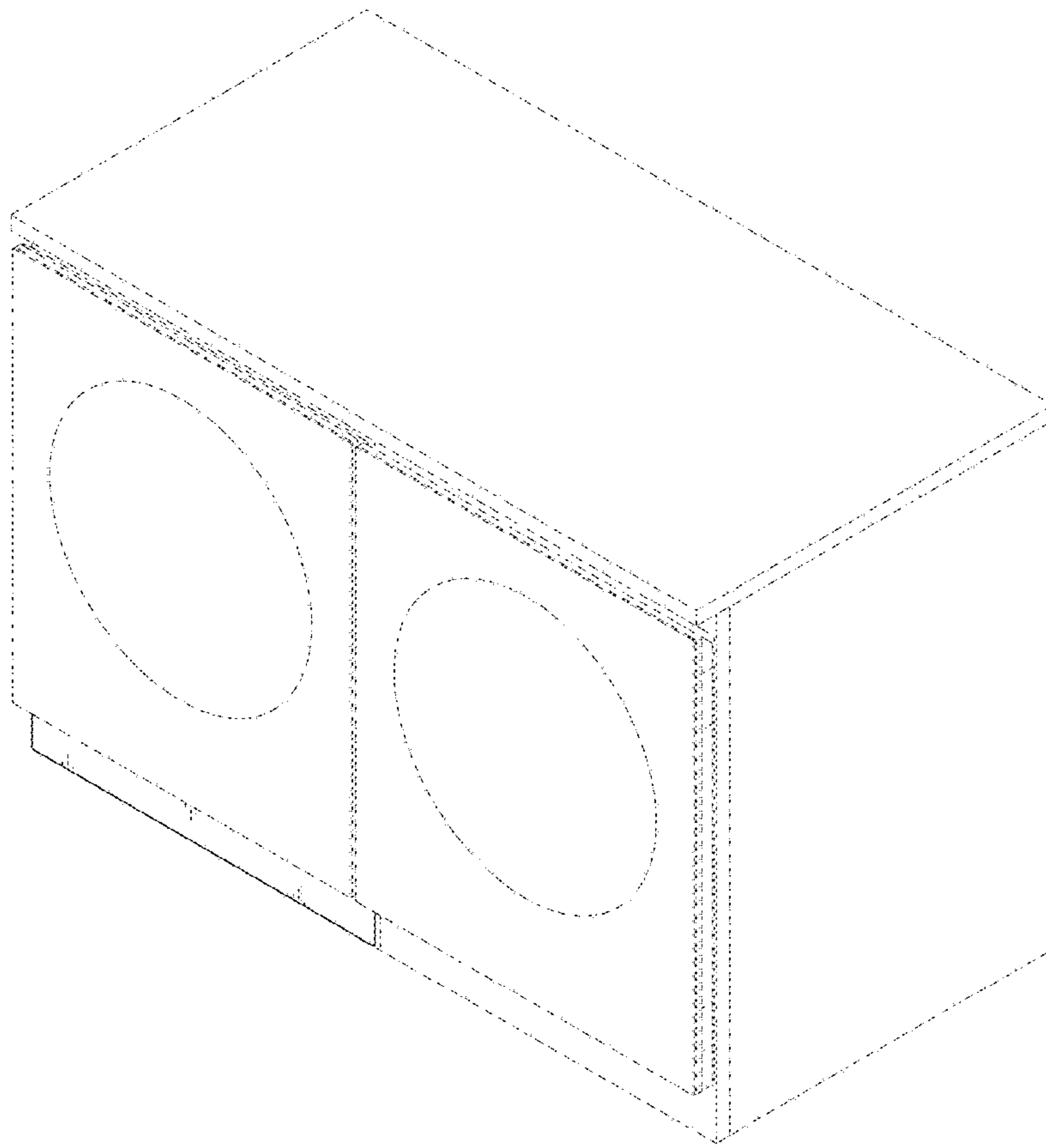
References Cited

U.S. PATENT DOCUMENTS

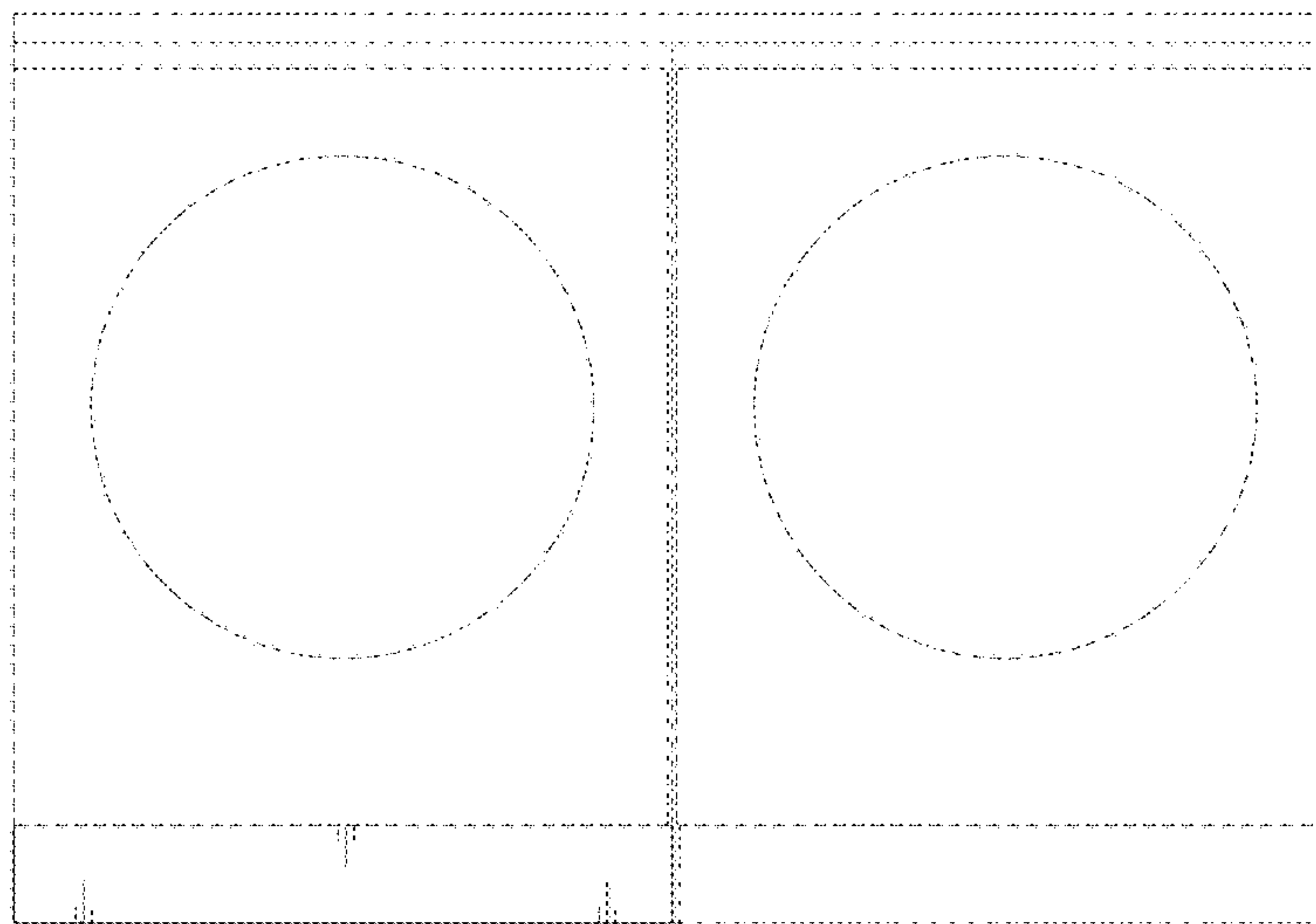
D800,402	S	*	10/2017	Ha	D32/29.1
D809,724	S	*	2/2018	Yoon	D32/29.1
D822,924	S	*	7/2018	Ayers	D32/25
2009/0126123	A1	*	5/2009	Kim	D06F 33/02 8/137
2011/0099835	A1	*	5/2011	Kim	D06F 39/125 34/132
2013/0047677	A1	*	2/2013	Han	D06F 39/14 68/27

* cited by examiner

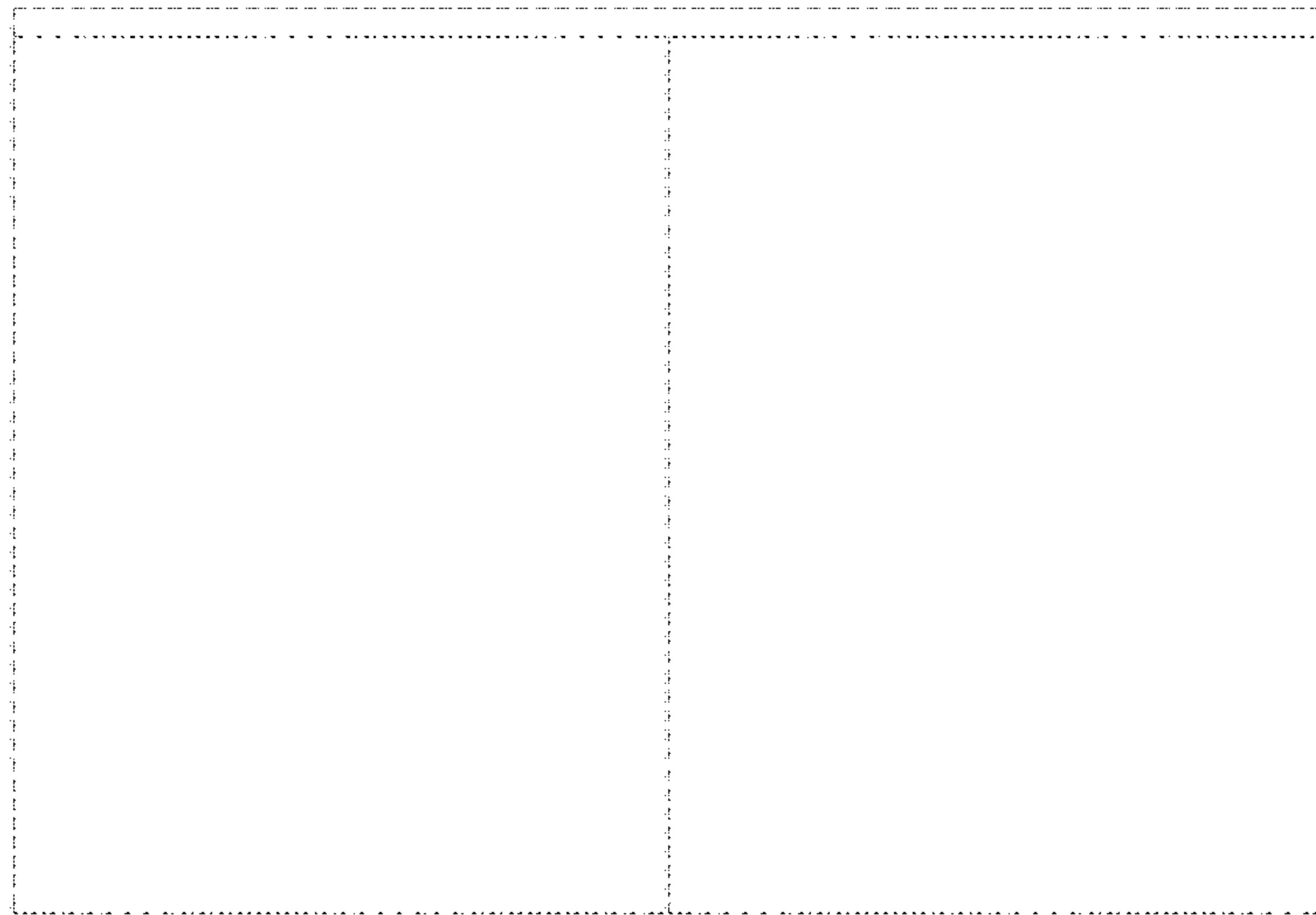
1.1



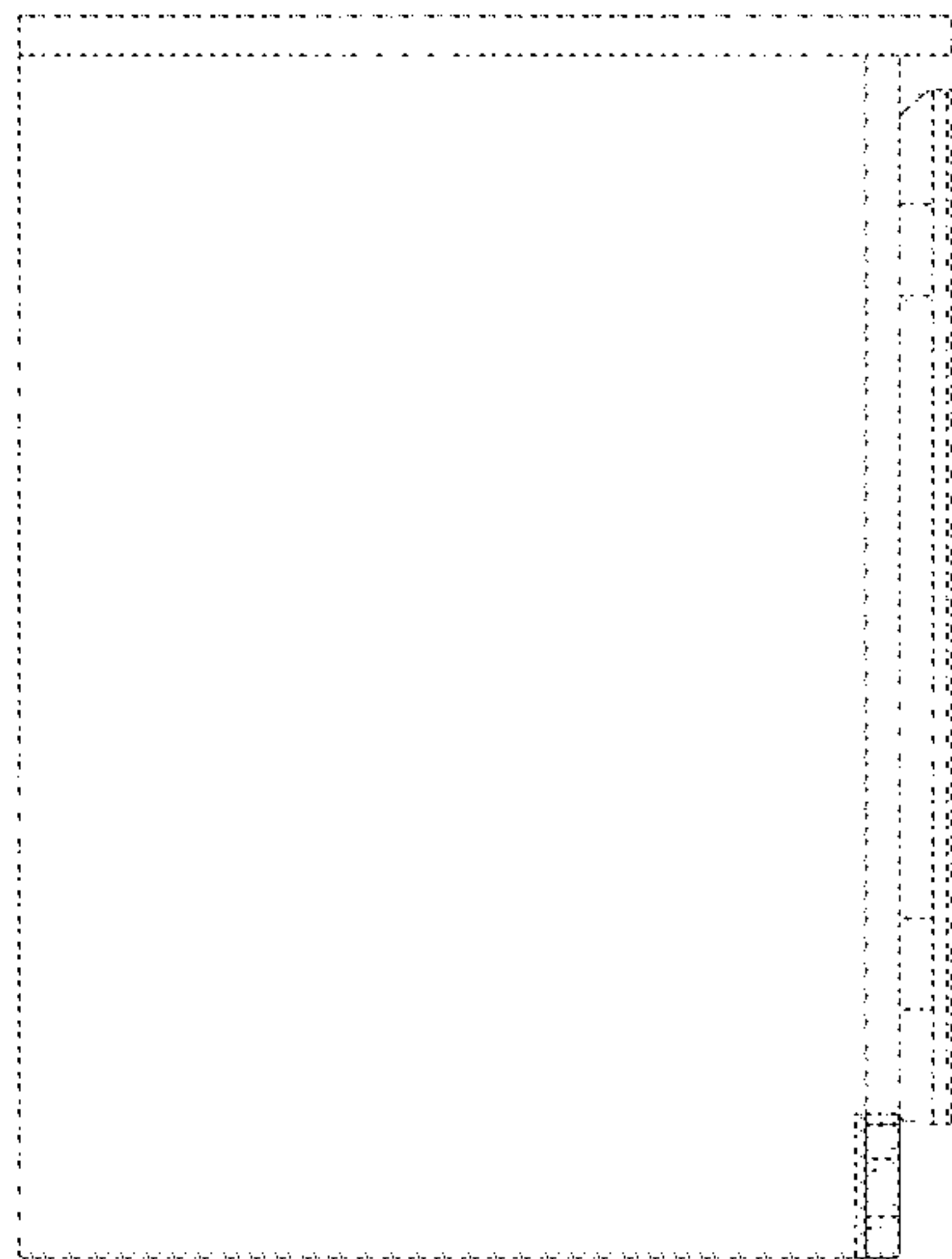
1.2



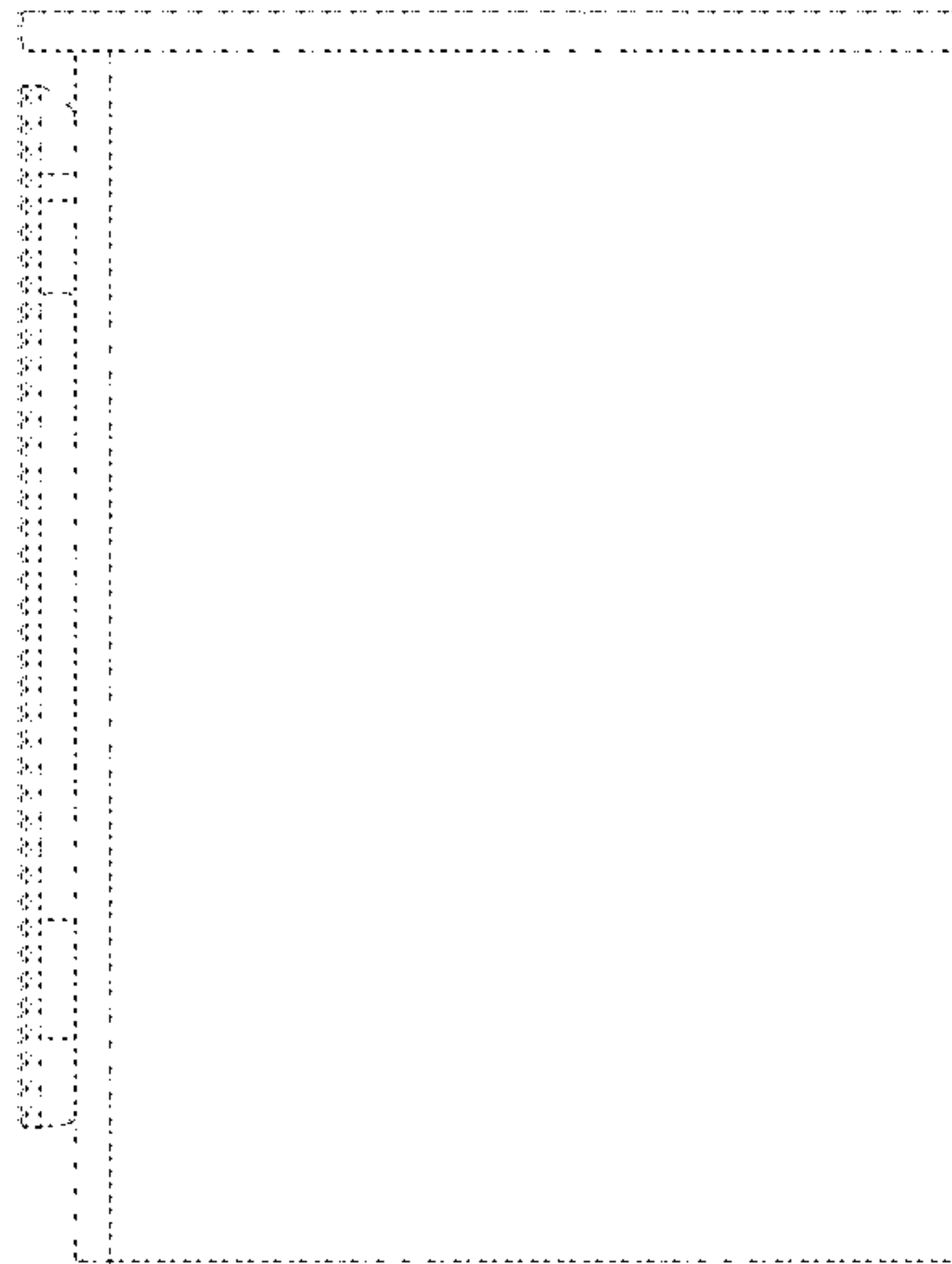
1.3



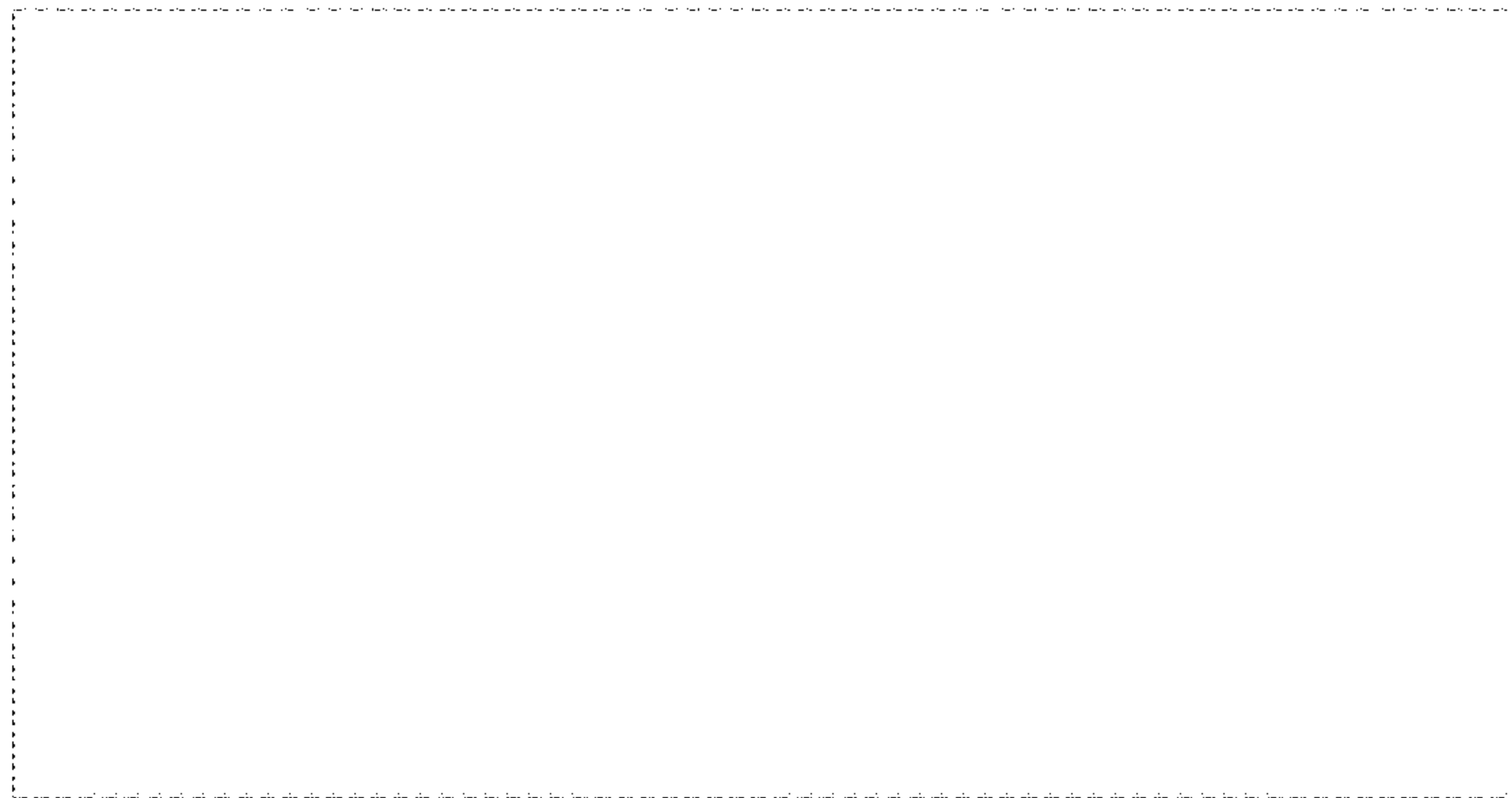
1.4



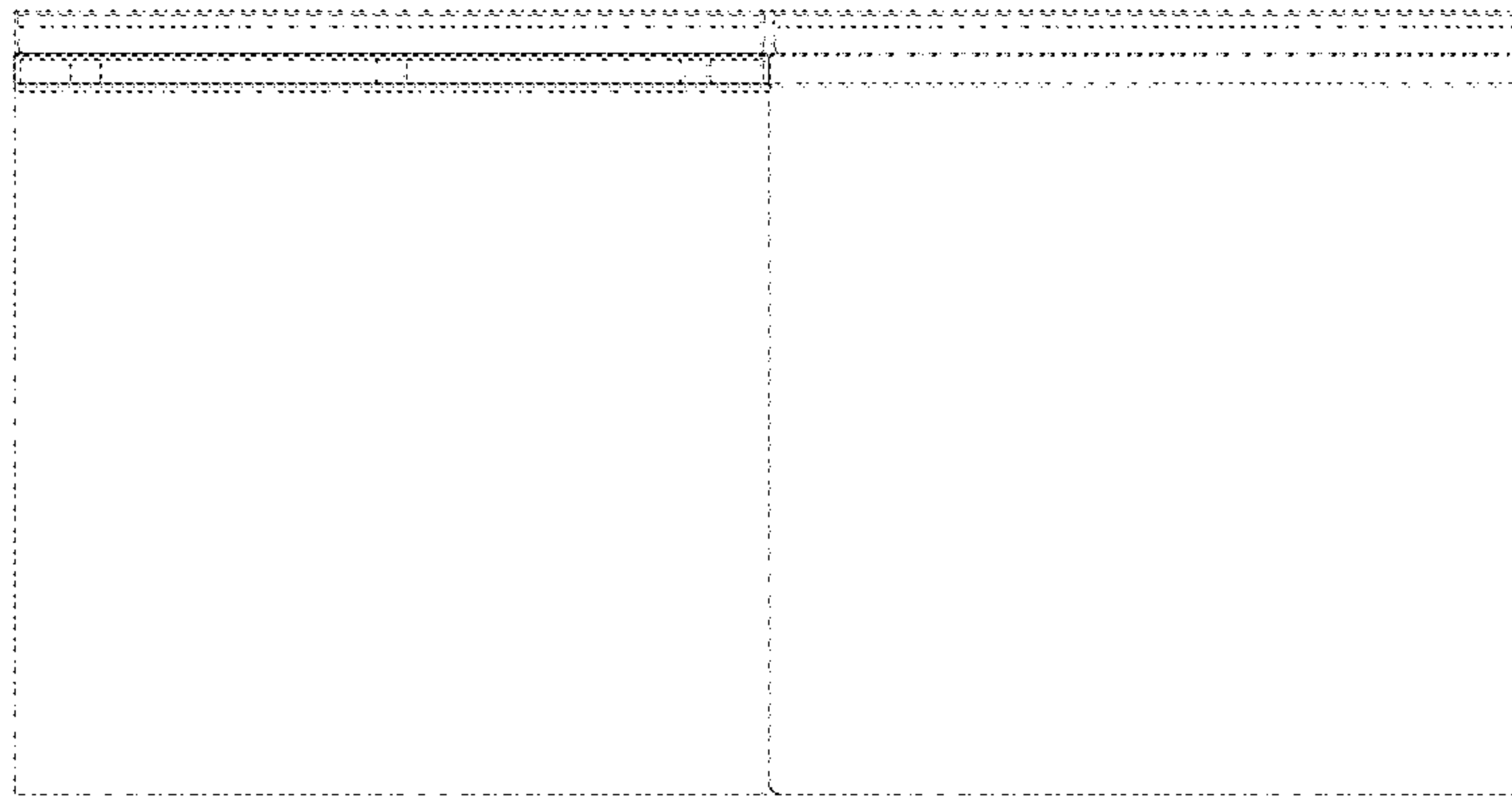
1.5



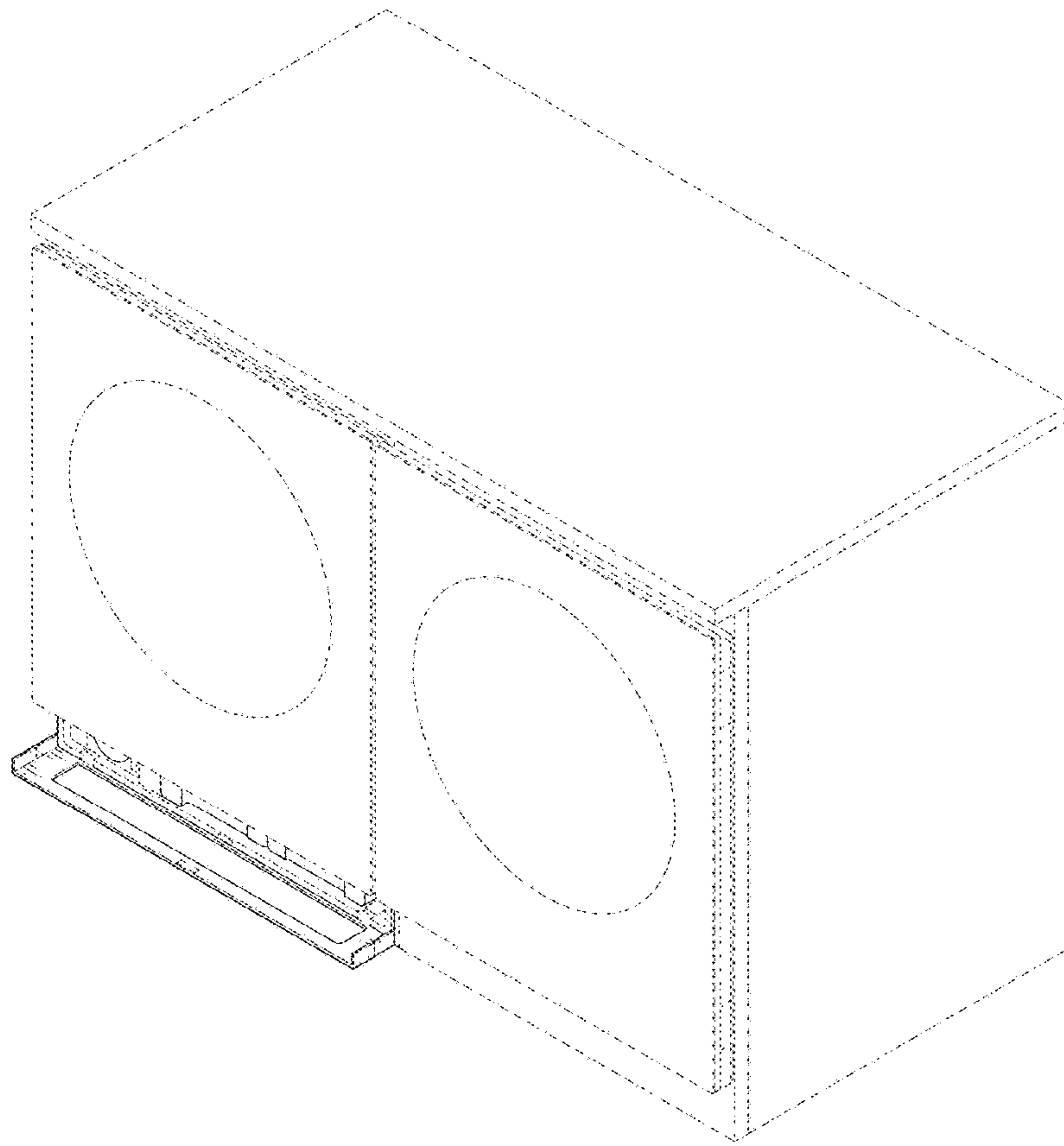
1.6



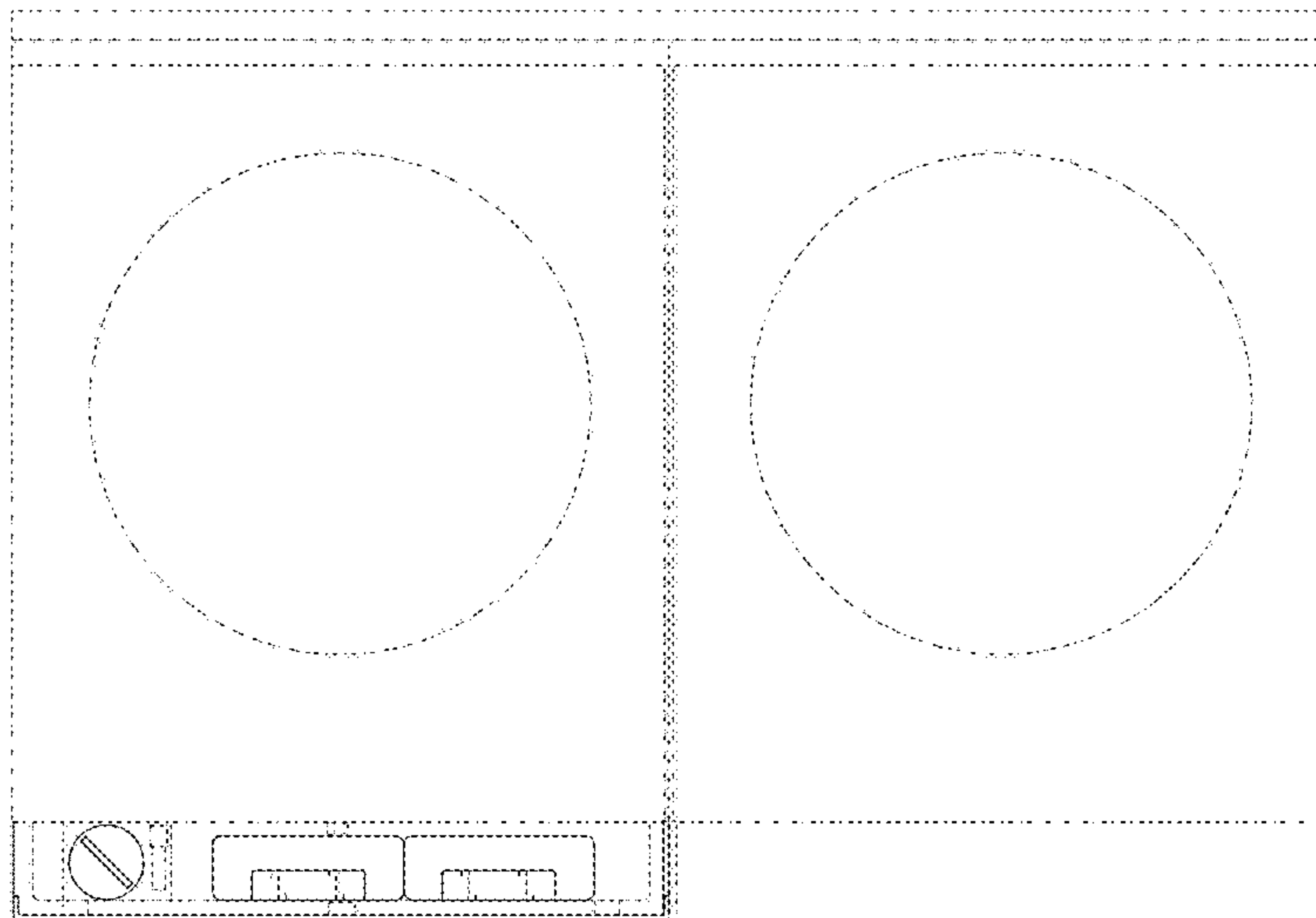
1.7



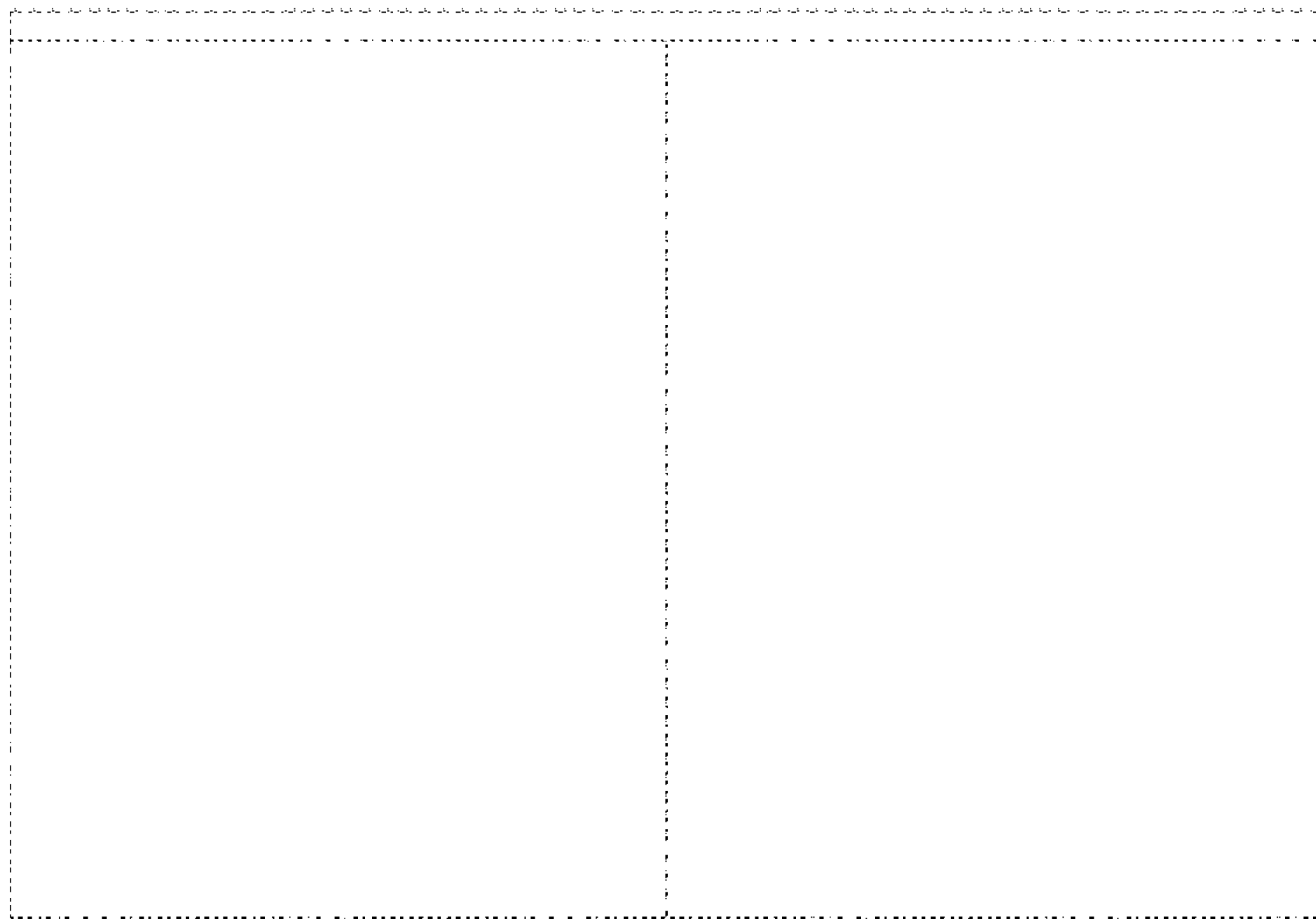
1.8



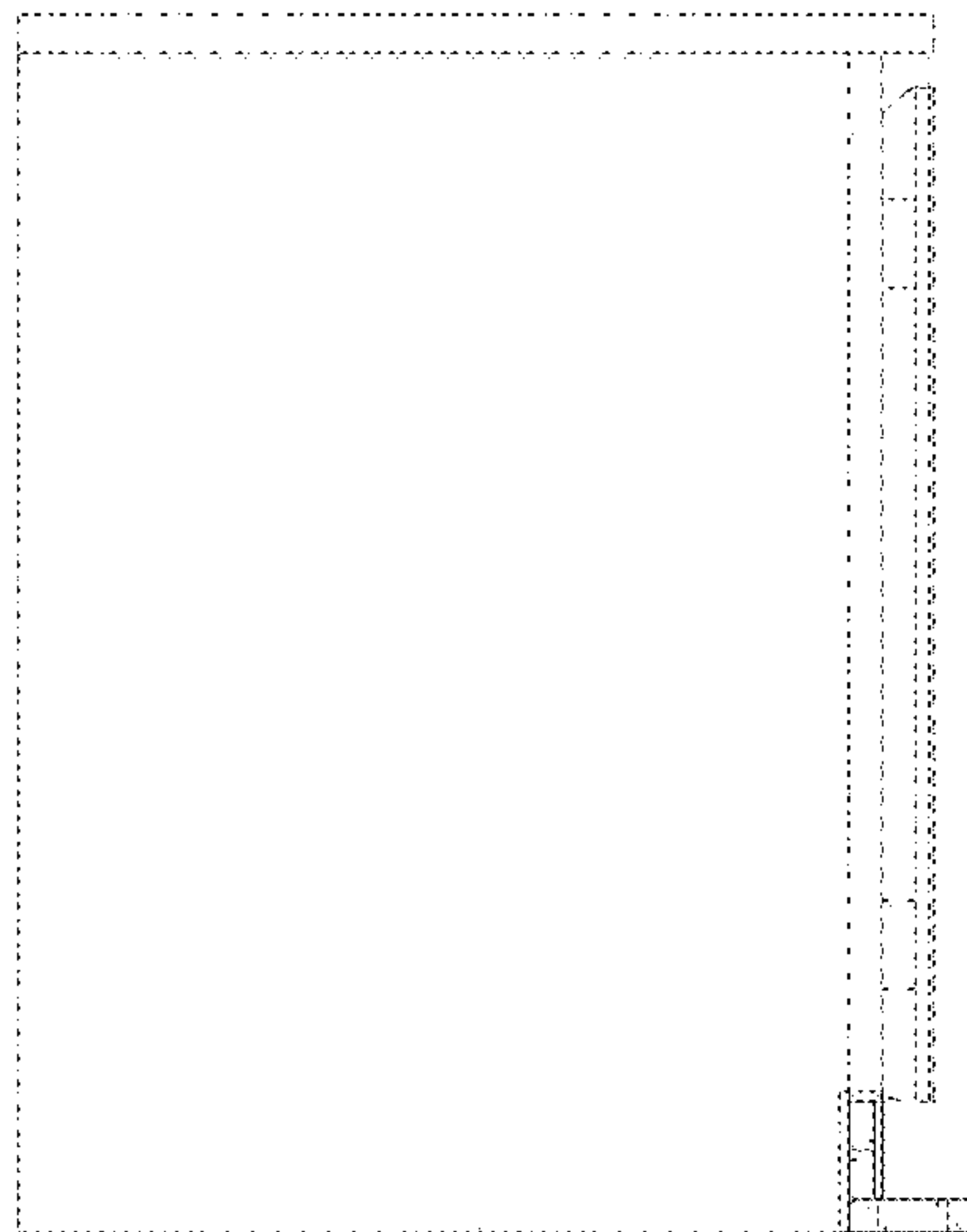
1.9



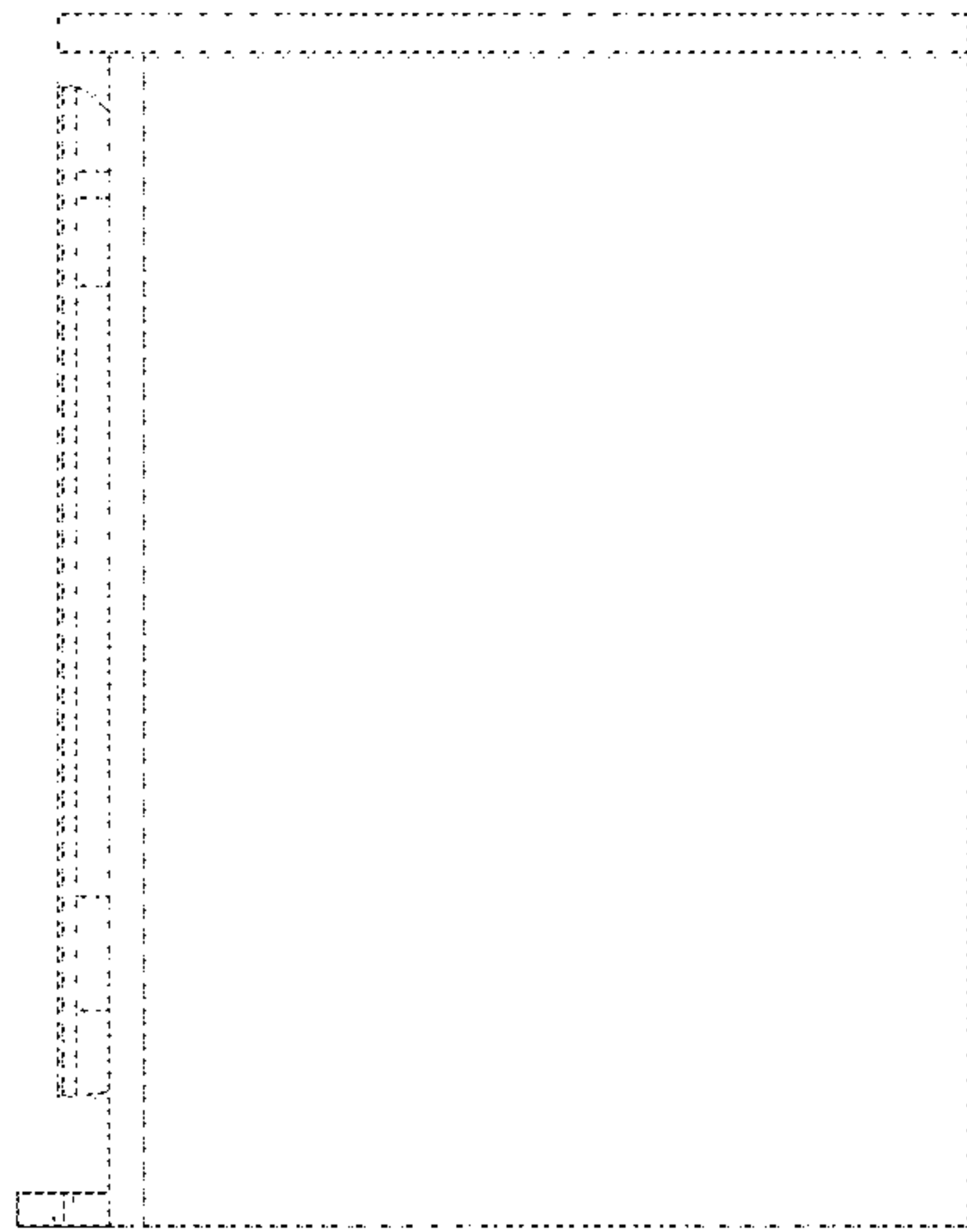
1.10



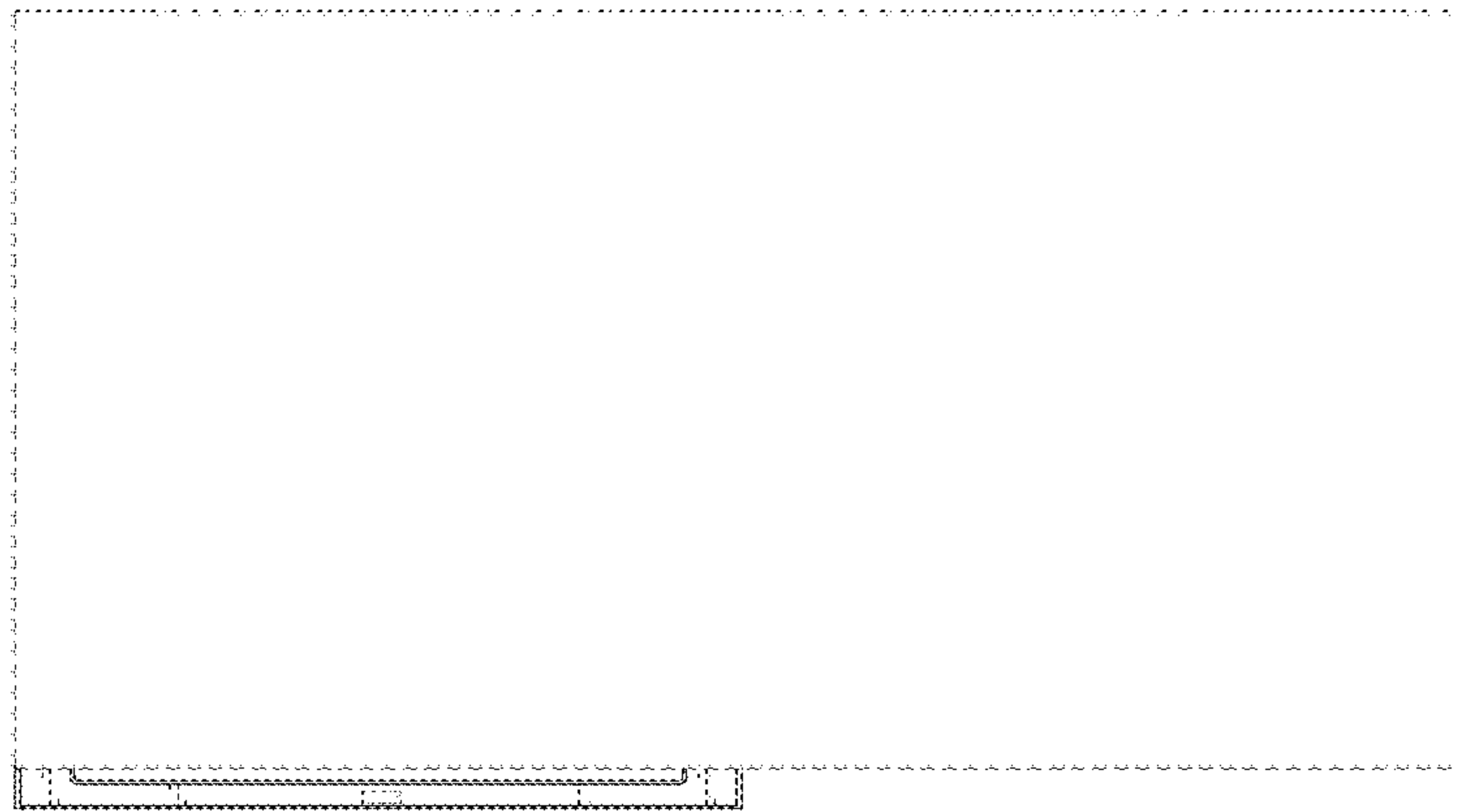
1.11



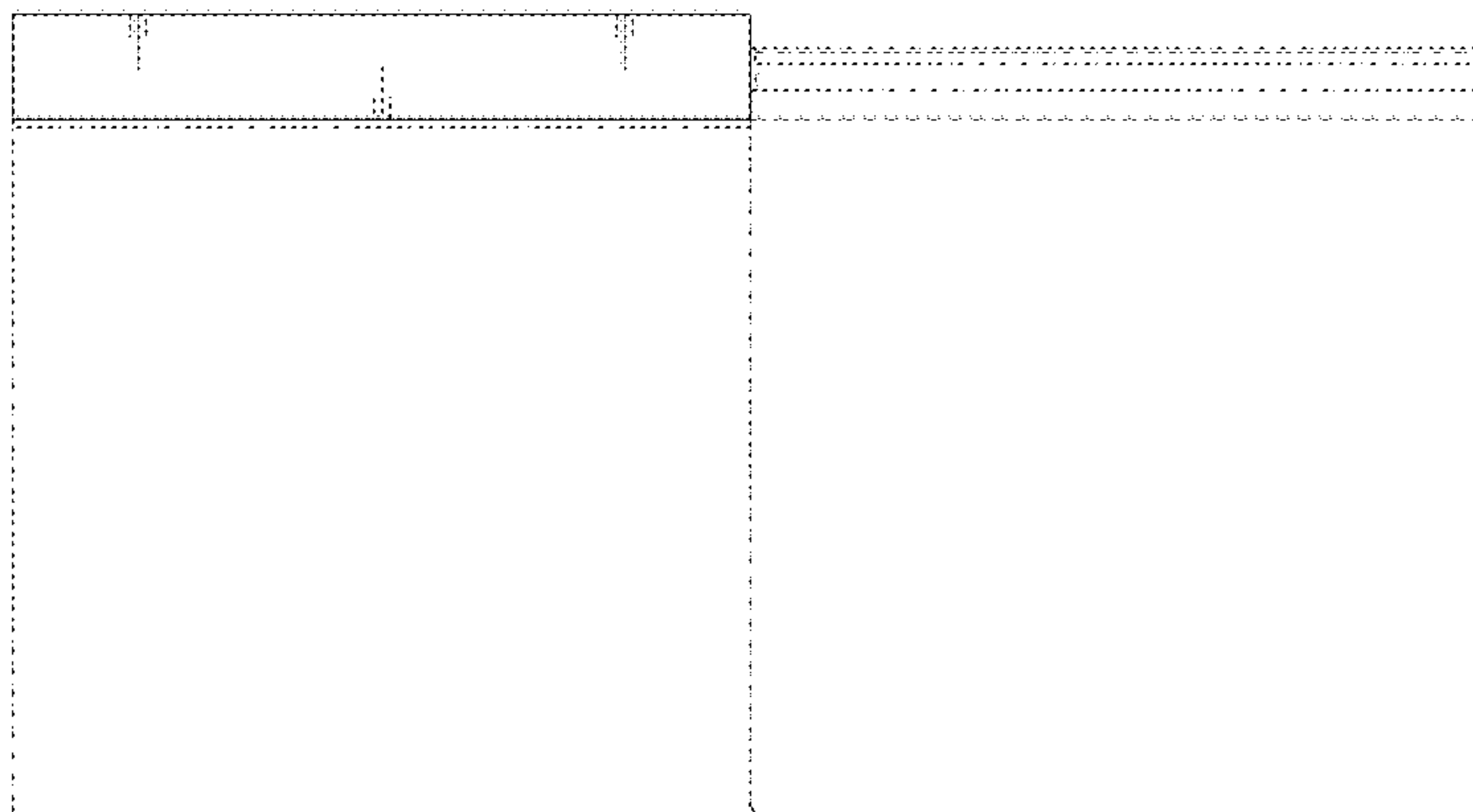
1.12



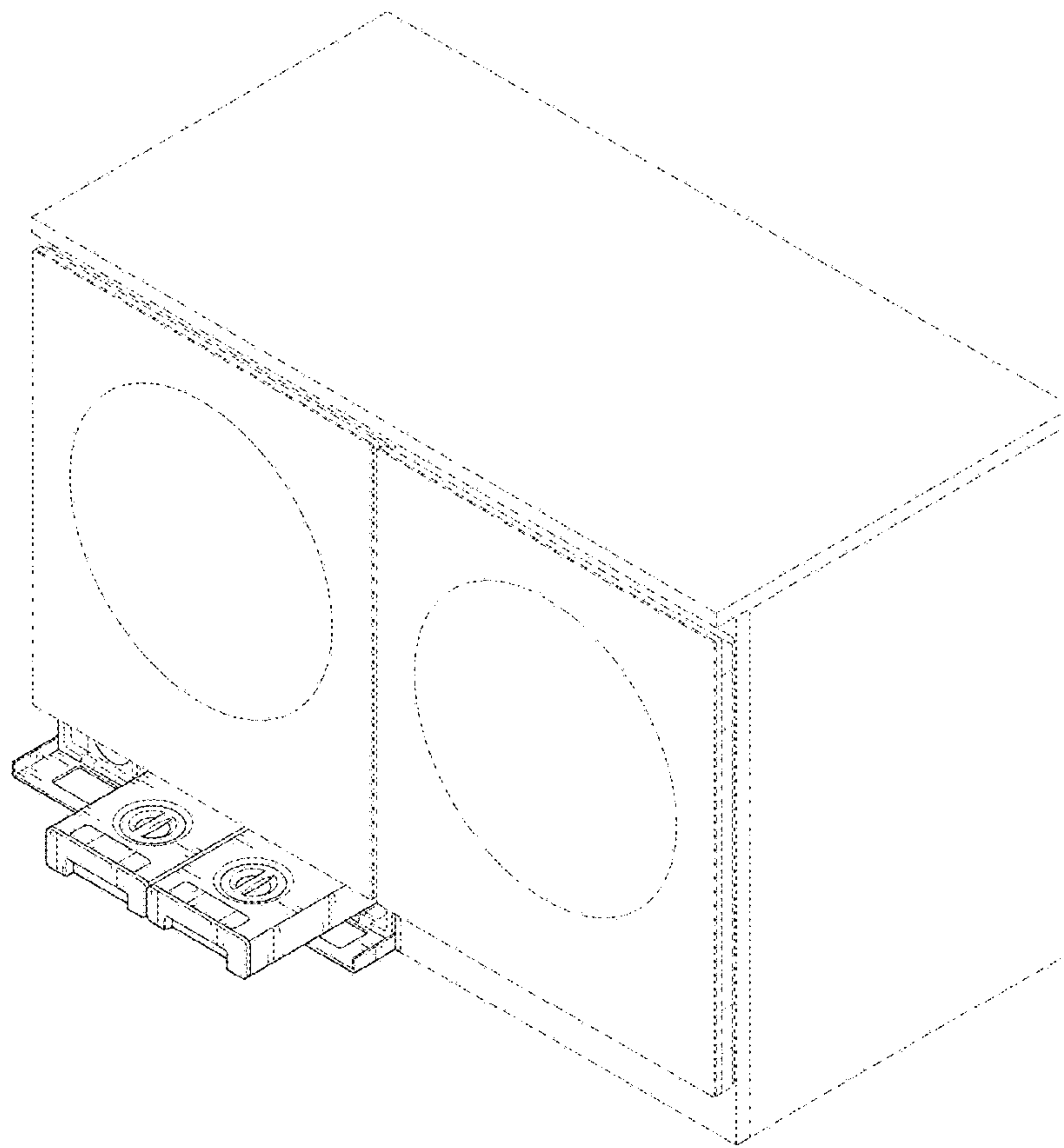
1.13



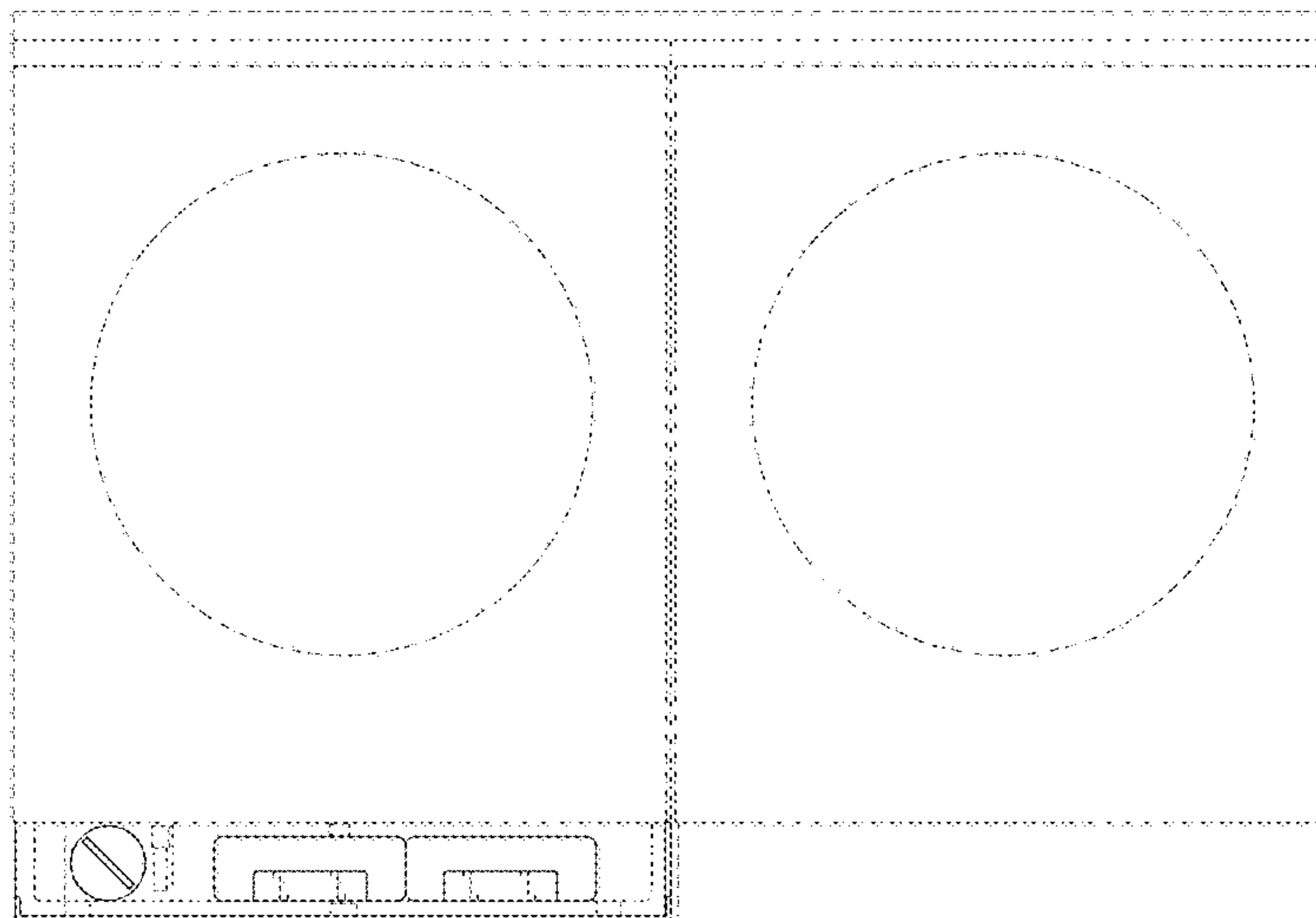
1.14



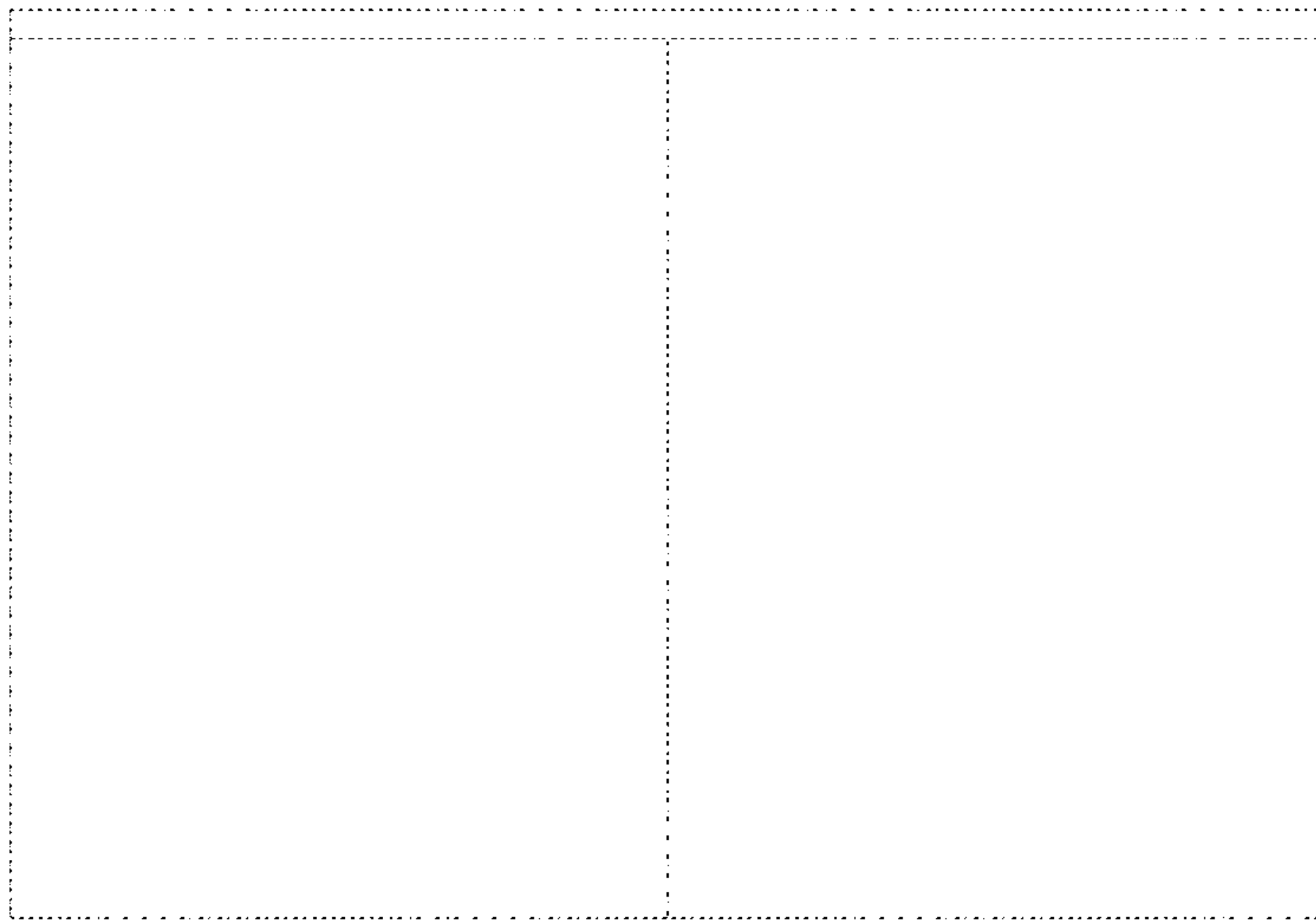
1.15



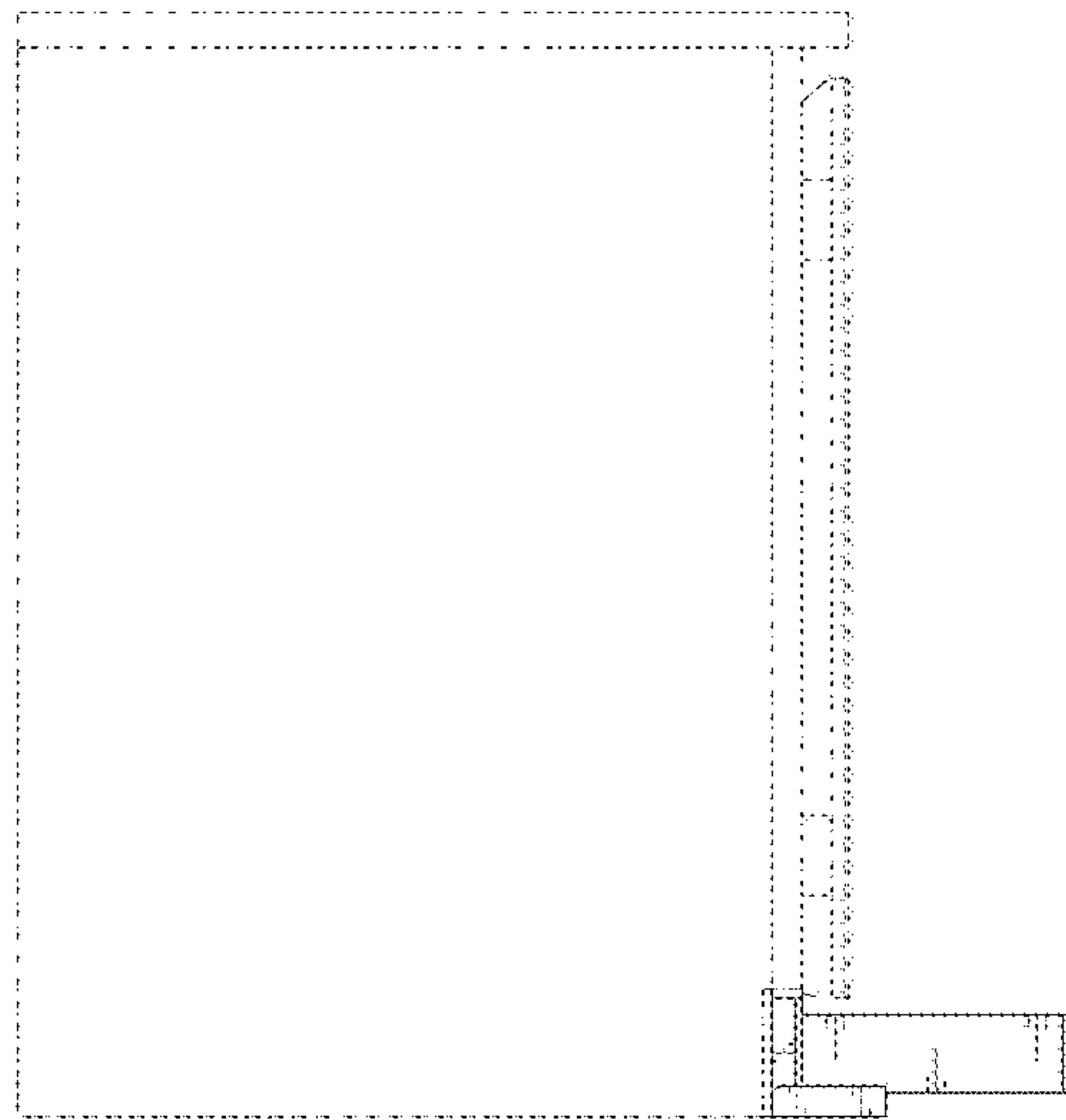
1.16



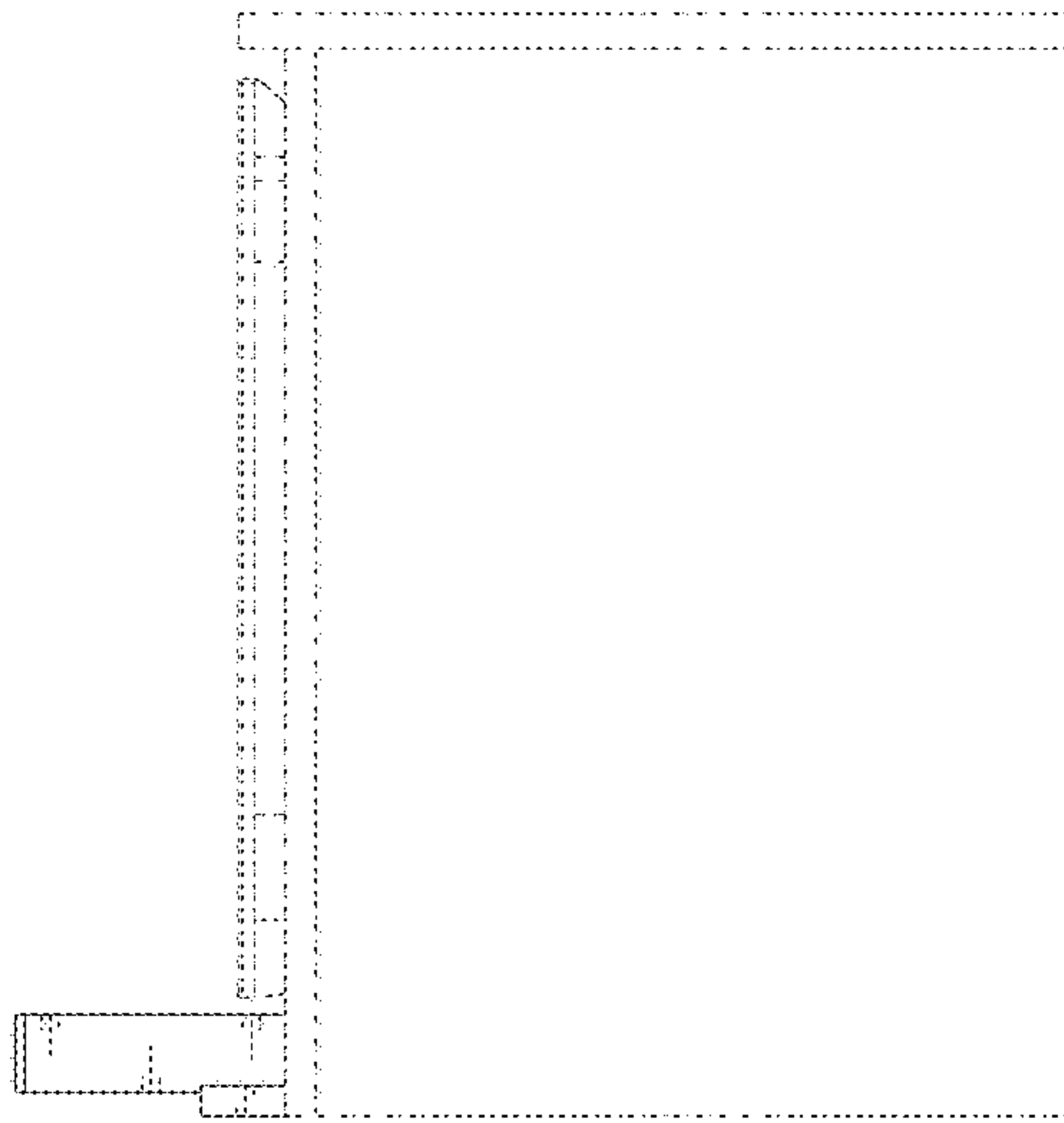
1.17



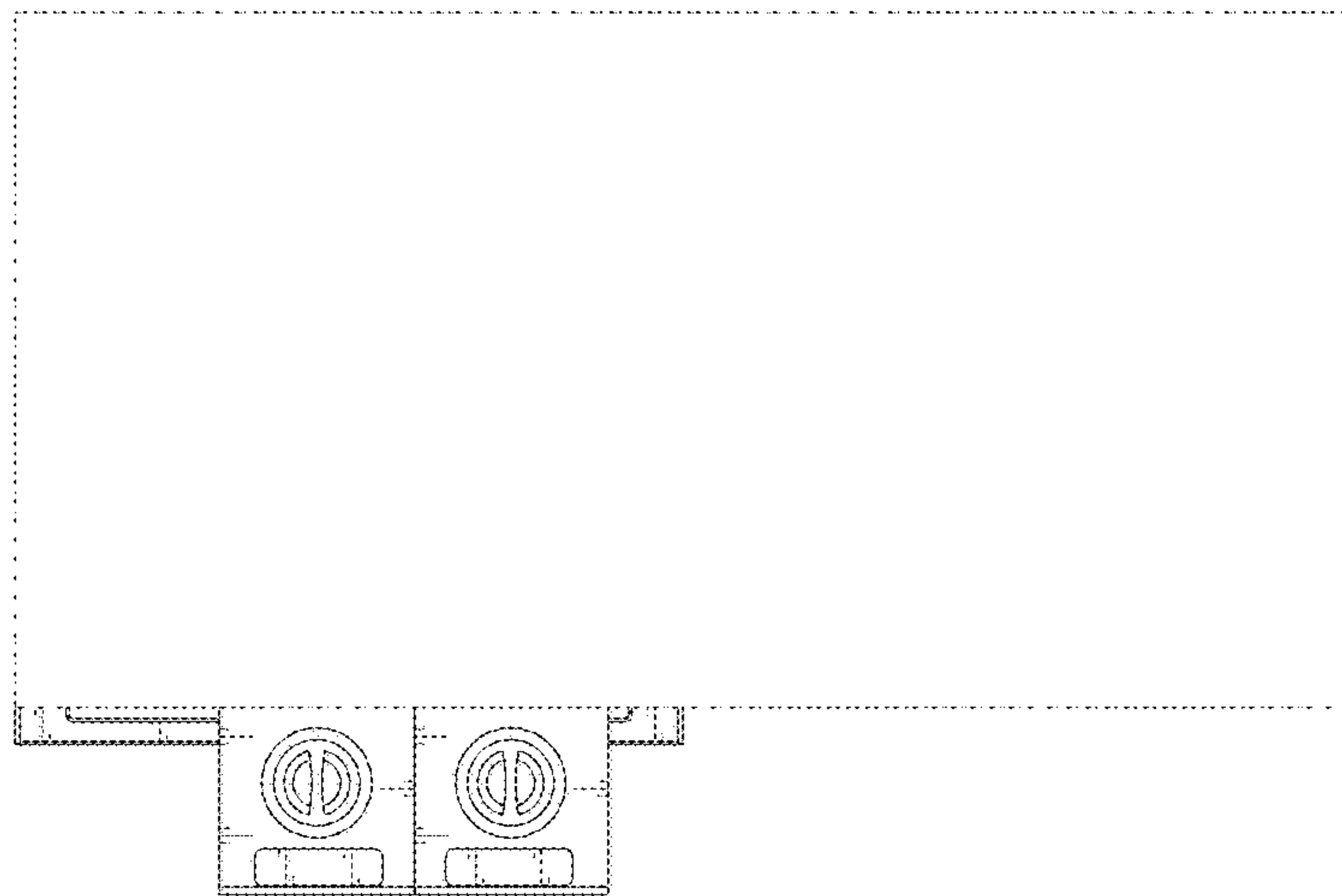
1.18



1.19



1.20



1.21

